

US00D392521S

United States Patent [19]

[11] Patent Number: Des. 392,521

Tisbo et al.

[45] Date of Patent: **Mar. 24, 1998

[54] SNOW SHOVEL

FOREIGN PATENT DOCUMENTS

[75] Inventors: Thomas A. Tisbo, Barrington Hills;
Stephen P. Whitehead, Elgin, both of Ill.

234243 12/1959 Australia .

OTHER PUBLICATIONS

[73] Assignee: Suncoast Corporation, Batavia, Ill.

Union Fork and Hoe Catalog, Dec. 1986, p. 18, Shovel, Item No. 4.

[**] Term: 14 Years

Primary Examiner—Holly Baynham
Attorney, Agent, or Firm—Thomas W. Tolpin

[21] Appl. No.: 59,652

[57] CLAIM

[22] Filed: Aug. 15, 1996

The ornamental design for snow shovel, as shown.

[51] LOC (6) Cl. 08-01

DESCRIPTION

[52] U.S. Cl. D8/10

[58] Field of Search D8/10, 107; 294/49,
294/54.5, 56

FIG. 1 is a perspective view of a snow shovel showing our new design;

FIG. 2 is a front view thereof;

FIG. 3 is a left side view thereof, the right side view being a mirror image and symmetrical thereto;

FIG. 4 is a back view thereof;

FIG. 5 is a bottom view thereof;

FIG. 6 is a top view thereof;

FIG. 7 is a perspective view of another snow shovel showing our new design;

FIG. 8 is a front view thereof;

FIG. 9 is a left side view thereof, the right side view being a mirror image and symmetrical thereto;

FIG. 10 is a back view thereof;

FIG. 11 is a bottom view thereof;

FIG. 12 is a top view thereof;

FIG. 13 is a perspective view of a further snow shovel showing our new design;

FIG. 14 is a front view thereof;

FIG. 15 is a left side view thereof, the right side view being a mirror image and symmetrical thereto;

FIG. 16 is a back view thereof;

FIG. 17 is a bottom view thereof; and,

FIG. 18 is a top view thereof.

[56] References Cited

U.S. PATENT DOCUMENTS

D. 208,997	10/1967	Anderson et al.	D8/10
D. 213,630	3/1969	Hoxie et al. .	
D. 257,210	10/1980	Bonnes	294/54
D. 267,468	1/1983	Simms	294/54.5
D. 296,410	6/1988	Abbott	294/54.5 X
D. 328,553	8/1992	Norton et al.	294/54.5
D. 331,652	12/1992	Wu	D8/10 X
D. 360,564	7/1995	Tisbo et al.	294/49
D. 363,653	10/1995	Tisbo et al.	294/49
366,099	7/1887	Hinchman	294/56
930,660	8/1909	Gifford	294/54.5
967,270	8/1910	Tiedt	294/54.5 X
1,042,352	10/1912	Kohler	294/54.5
1,260,276	3/1918	Miller	294/54.5
3,104,908	9/1963	McDonald	294/54.5
3,177,026	4/1965	Cowan	294/54.5
4,149,744	4/1979	Bonnes	294/54.5
4,247,141	1/1981	Grint	294/49
4,280,727	7/1981	Germain	294/54
4,655,494	4/1987	Eads et al.	294/49
4,991,324	2/1991	Fine et al.	294/54.5 X
5,228,734	7/1993	Pollastro	294/54.5
5,419,600	5/1995	Tisbo et al.	294/54.5

1 Claim, 9 Drawing Sheets

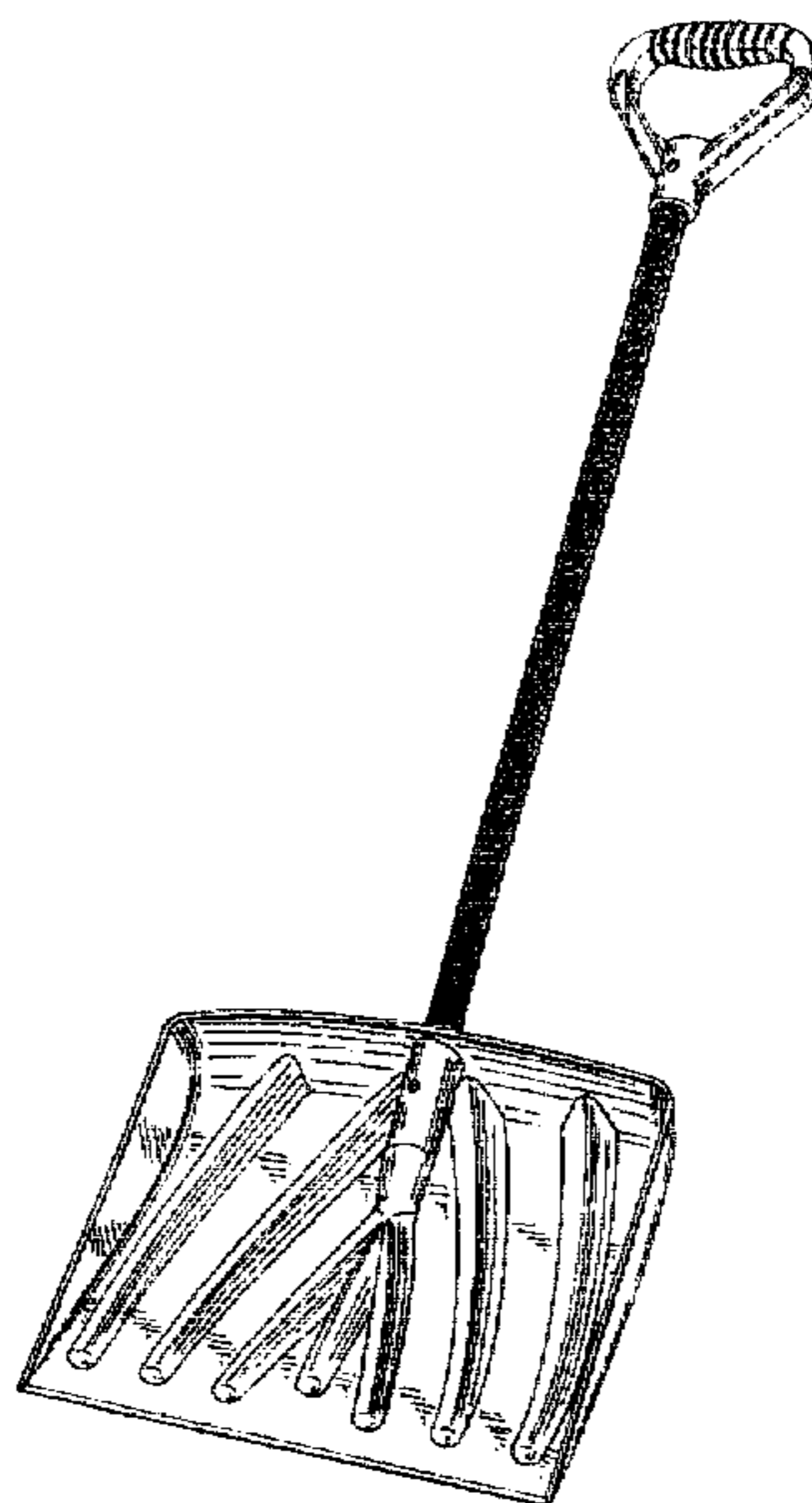


FIG. 1

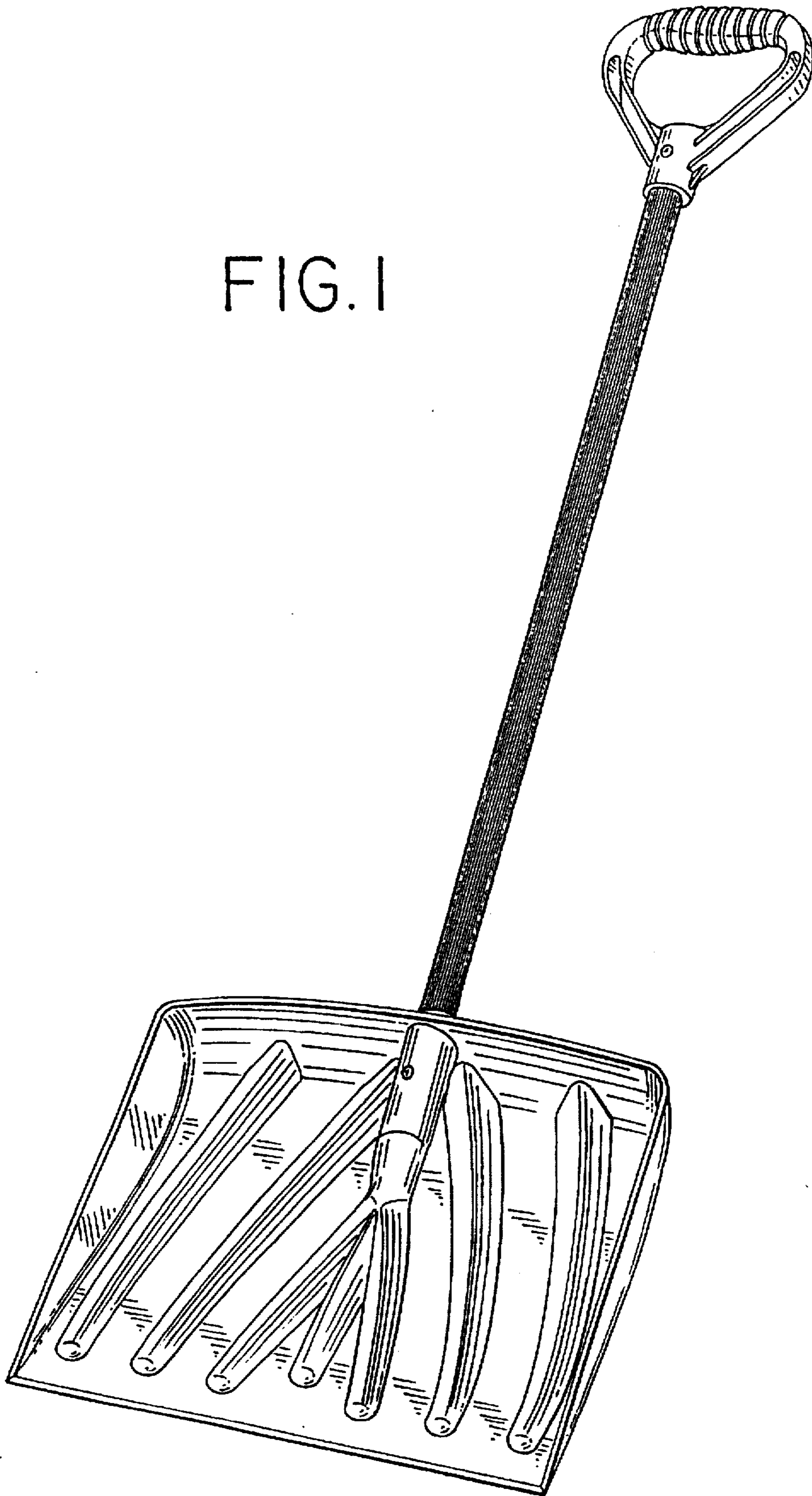


FIG. 2

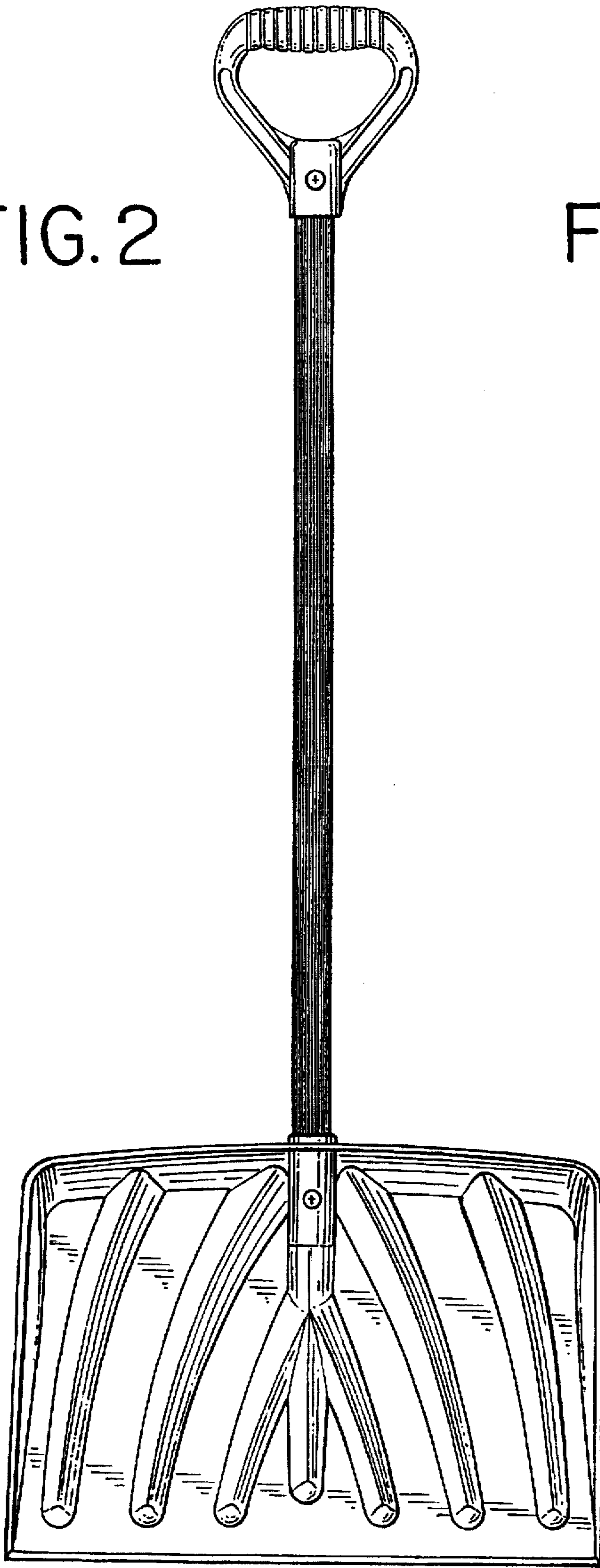


FIG. 3

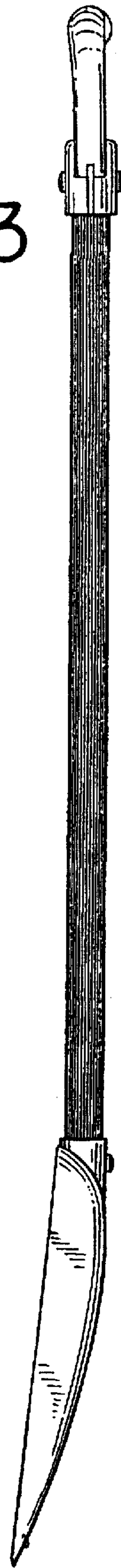


FIG. 4

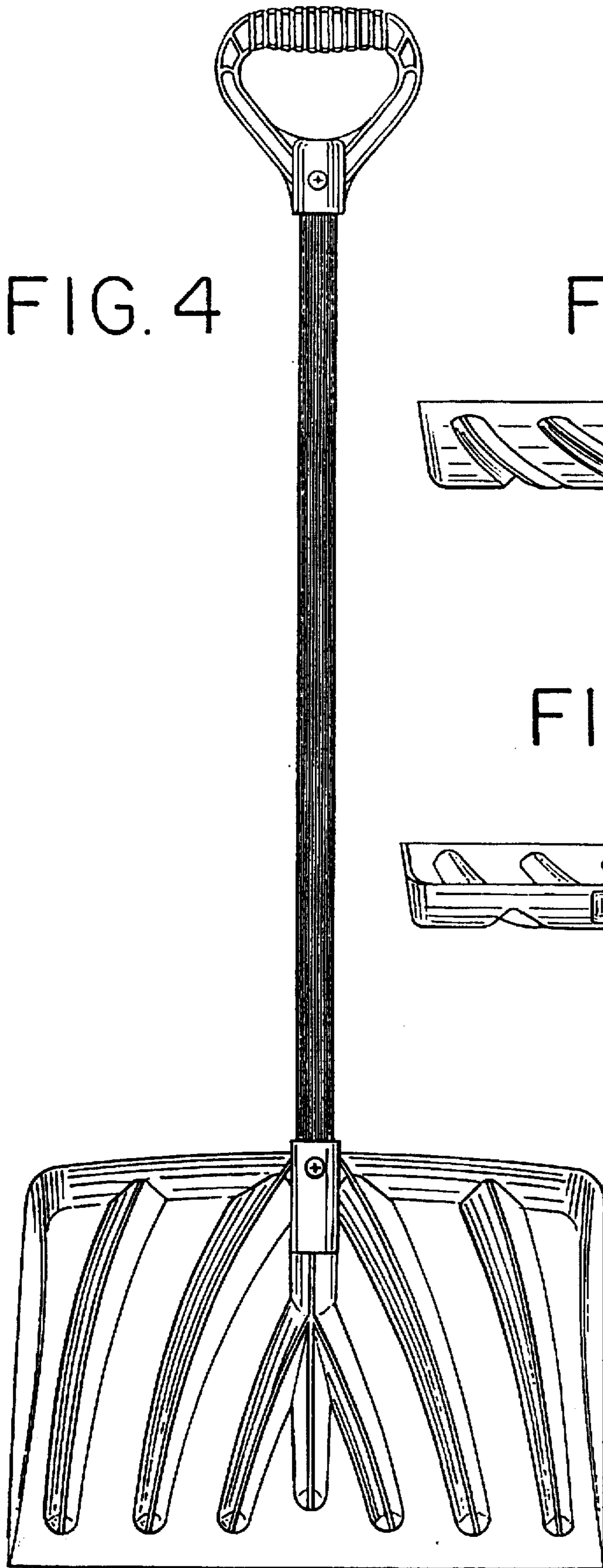


FIG. 5



FIG. 6



FIG. 7

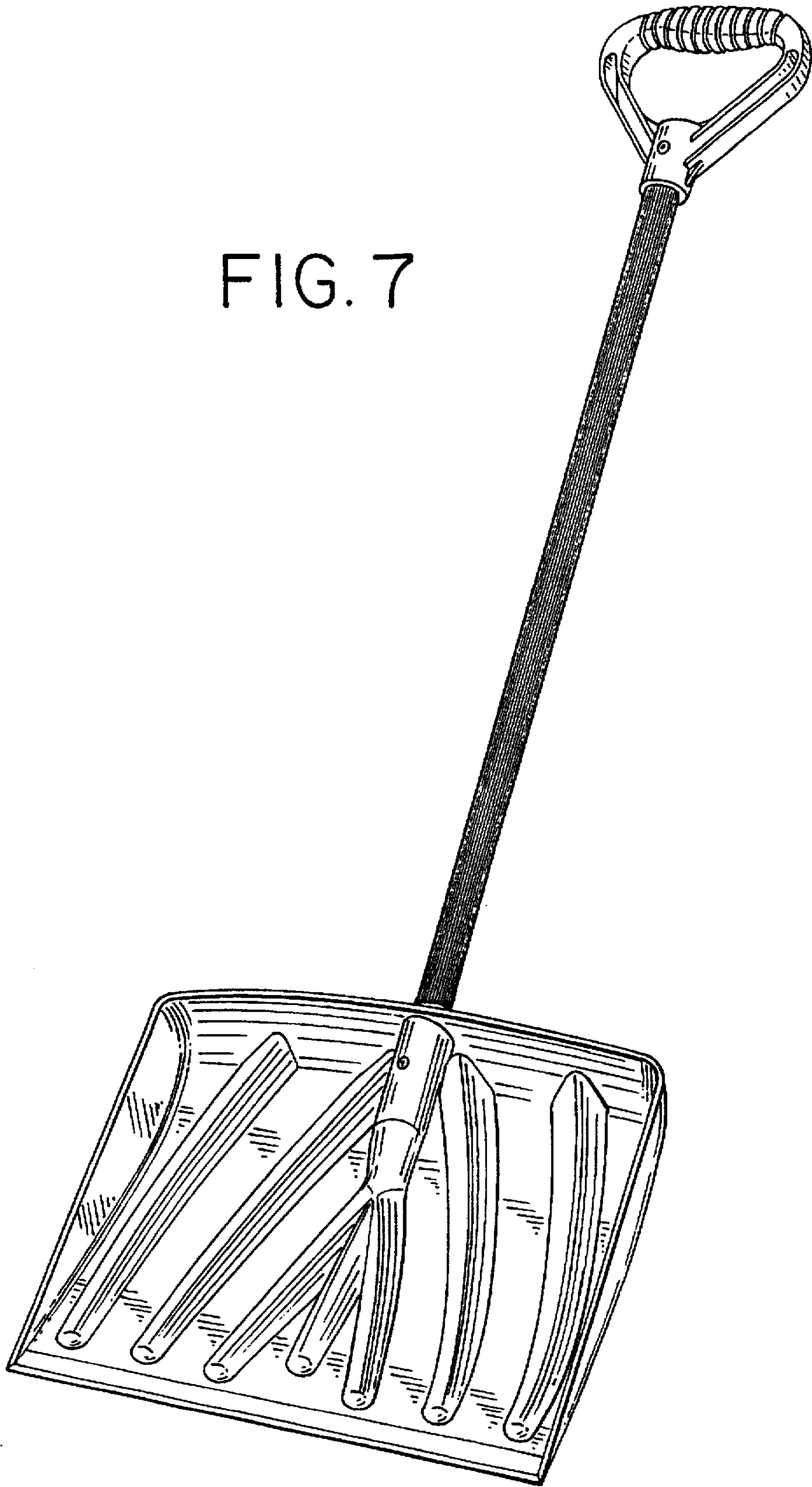


FIG. 8

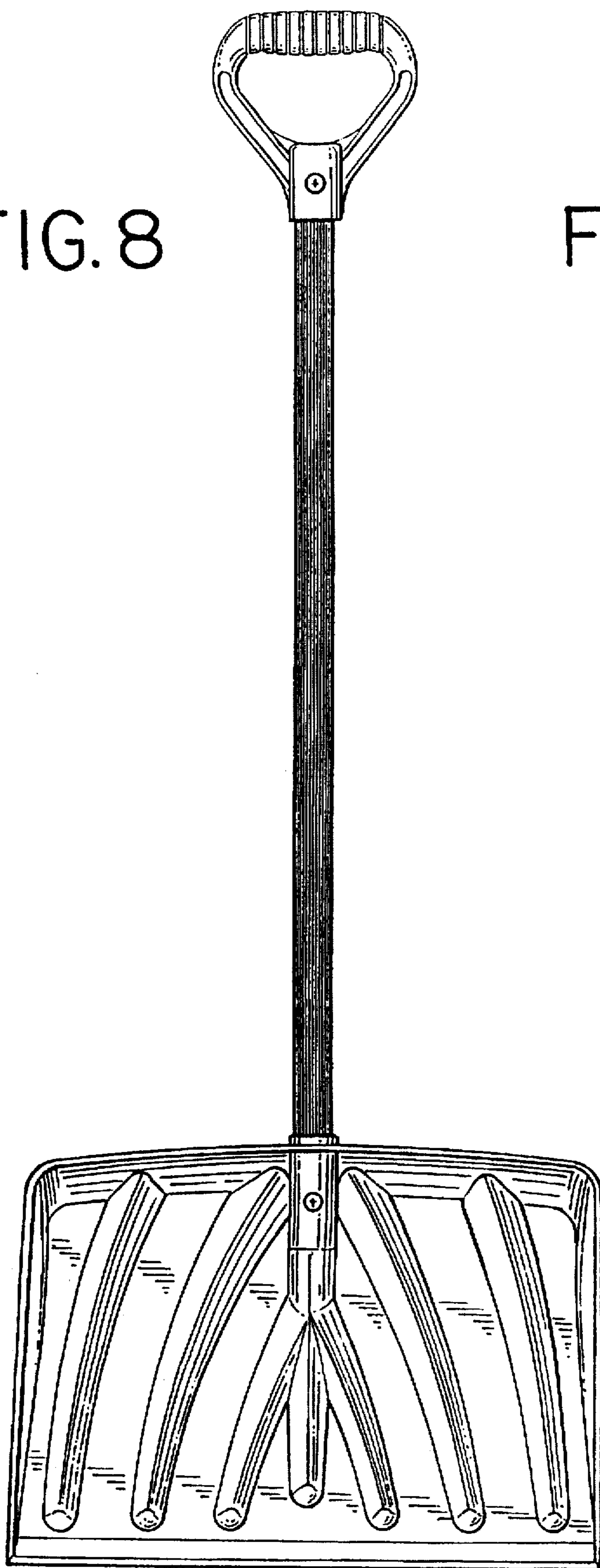


FIG. 9

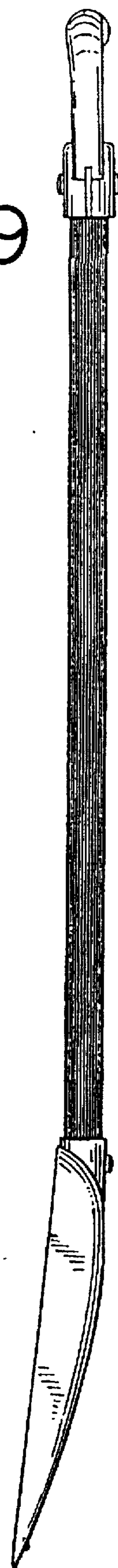


FIG. 10

FIG. 11

FIG. 12

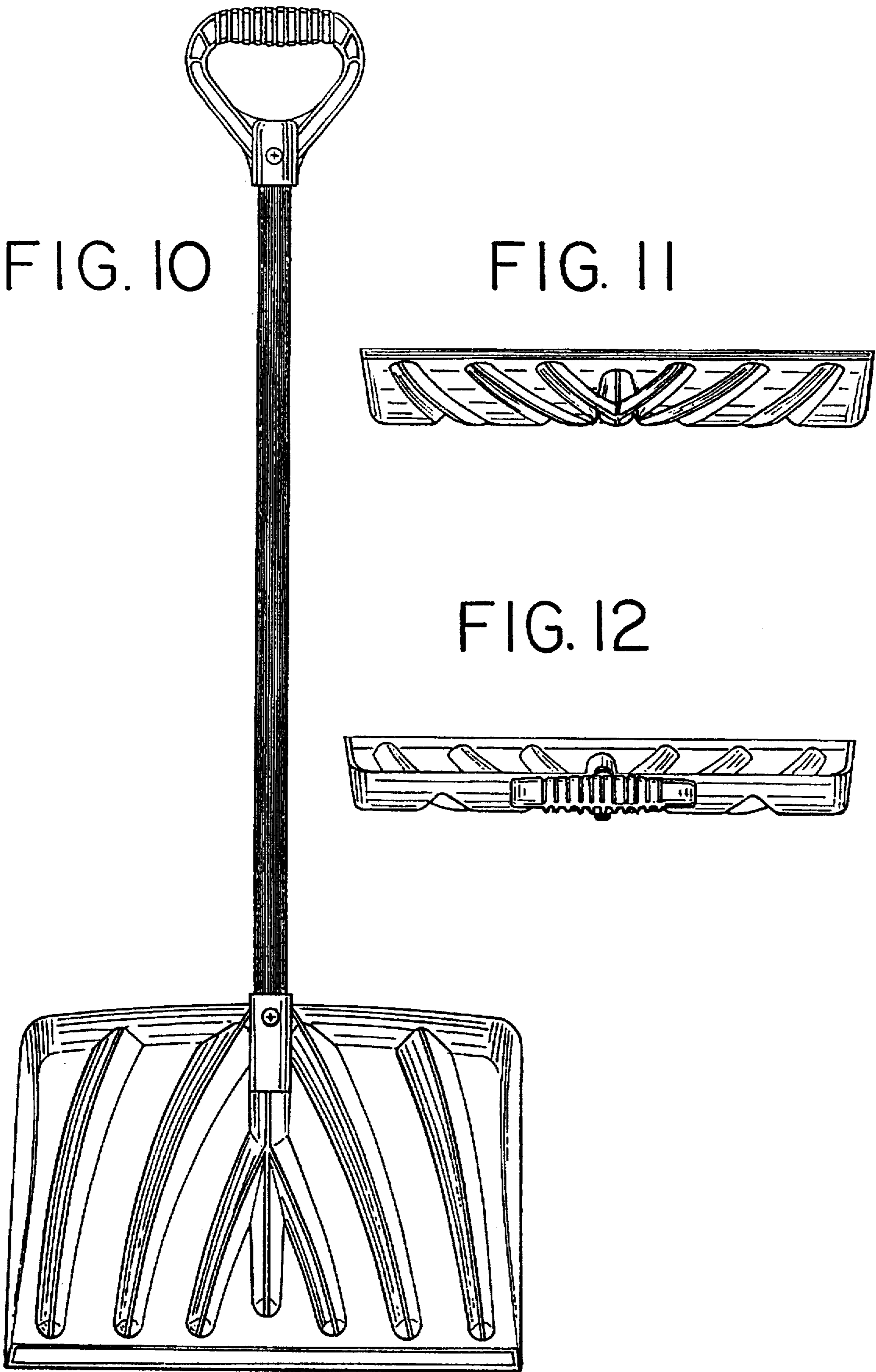


FIG. 13

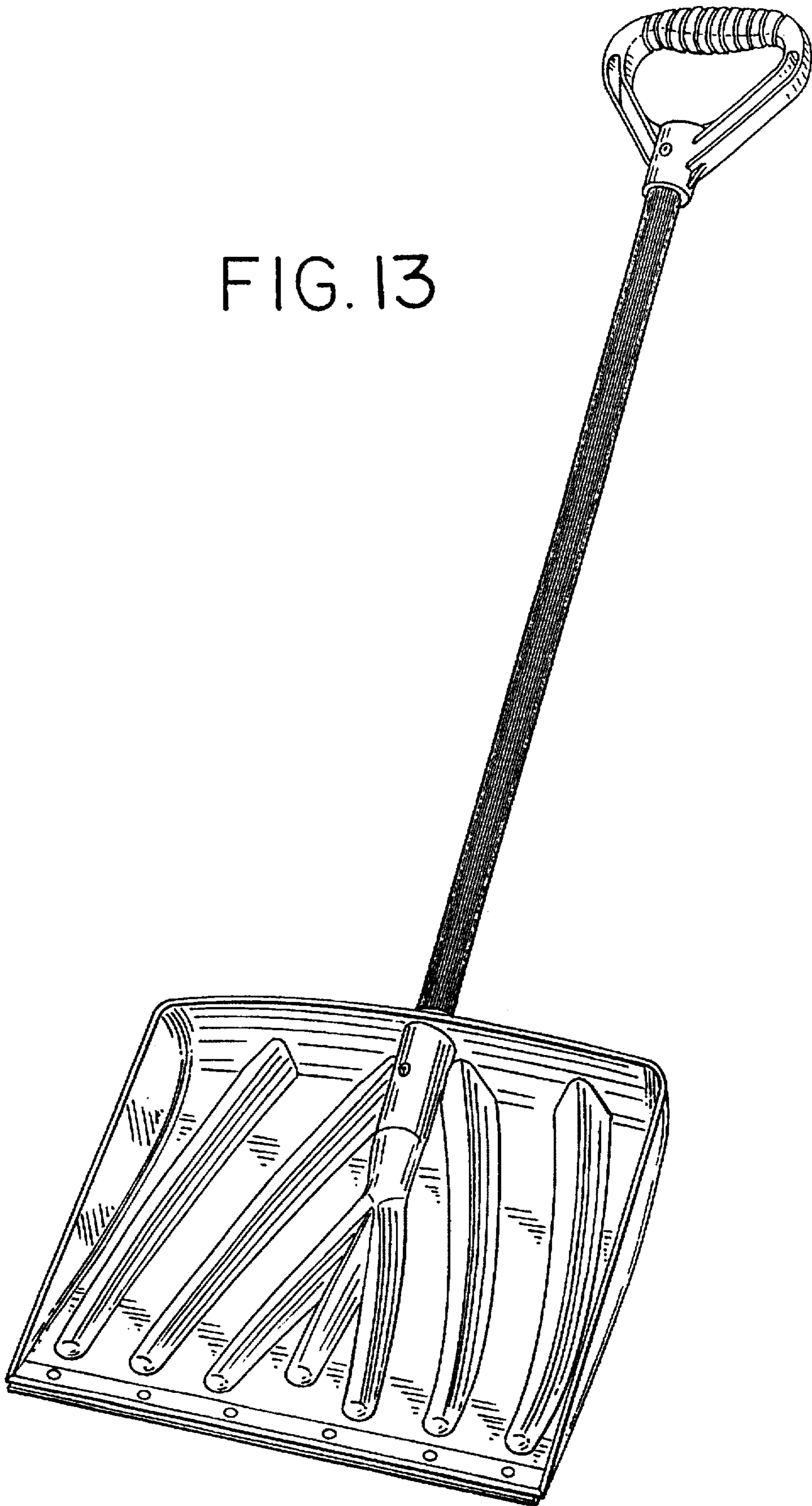


FIG. 14

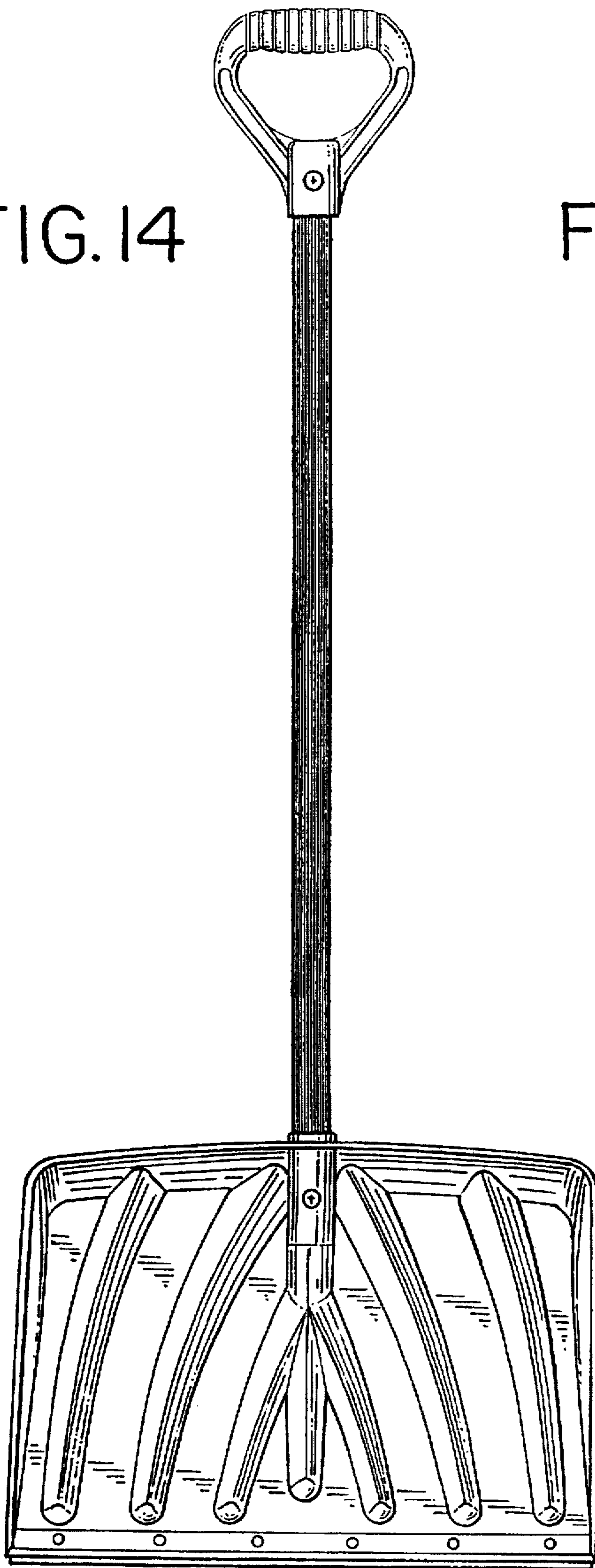


FIG. 15

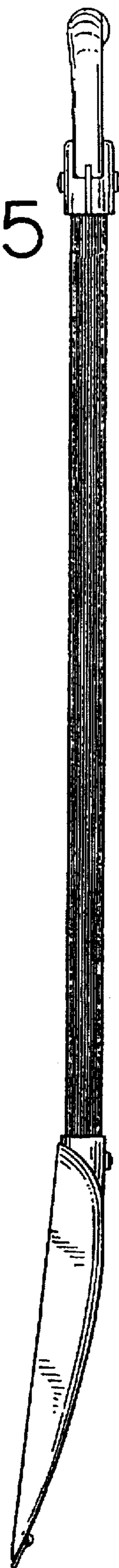


FIG. 16

FIG. 17



FIG. 18

