

US00D392509S

**United States Patent** [19]  
**Martindale**

[11] **Patent Number: Des. 392,509**  
[45] **Date of Patent: \*\*Mar. 24, 1998**

[54] **CONDIMENT DISPENSING SYSTEM**

[75] **Inventor: Richard A. Martindale, Vacaville, Calif.**

[73] **Assignee: Automatic Bar Controls, Inc., Vacaville, Calif.**

[\*\*] **Term: 14 Years**

[21] **Appl. No.: 54,857**

[22] **Filed: May 23, 1996**

[51] **LOC (6) Cl. .... 07-06**

[52] **U.S. Cl. .... D7/599; D7/301; D7/590**

[58] **Field of Search .... D7/590, 599, 301, D7/594, 596, 307, 308, 306**

[56] **References Cited**

**U.S. PATENT DOCUMENTS**

D. 218,083	7/1970	Hartley	.....	D7/308
D. 301,193	5/1989	Schechter et al.	.....	D7/308
D. 362,581	9/1995	Rogers	.....	D7/308 X
D. 367,393	2/1996	Vasseur et al.	.....	D7/306 X
D. 369,713	5/1996	Guadalupi	.....	D7/306

**OTHER PUBLICATIONS**

Salt and Pepper Shaker (Hot Dogs) Breck's of Boston 1947-48 Home & Garden Gifts.

*Primary Examiner*—M. N. Pandozzi  
*Attorney, Agent, or Firm*—Townsend & Townsend & Crew LLP

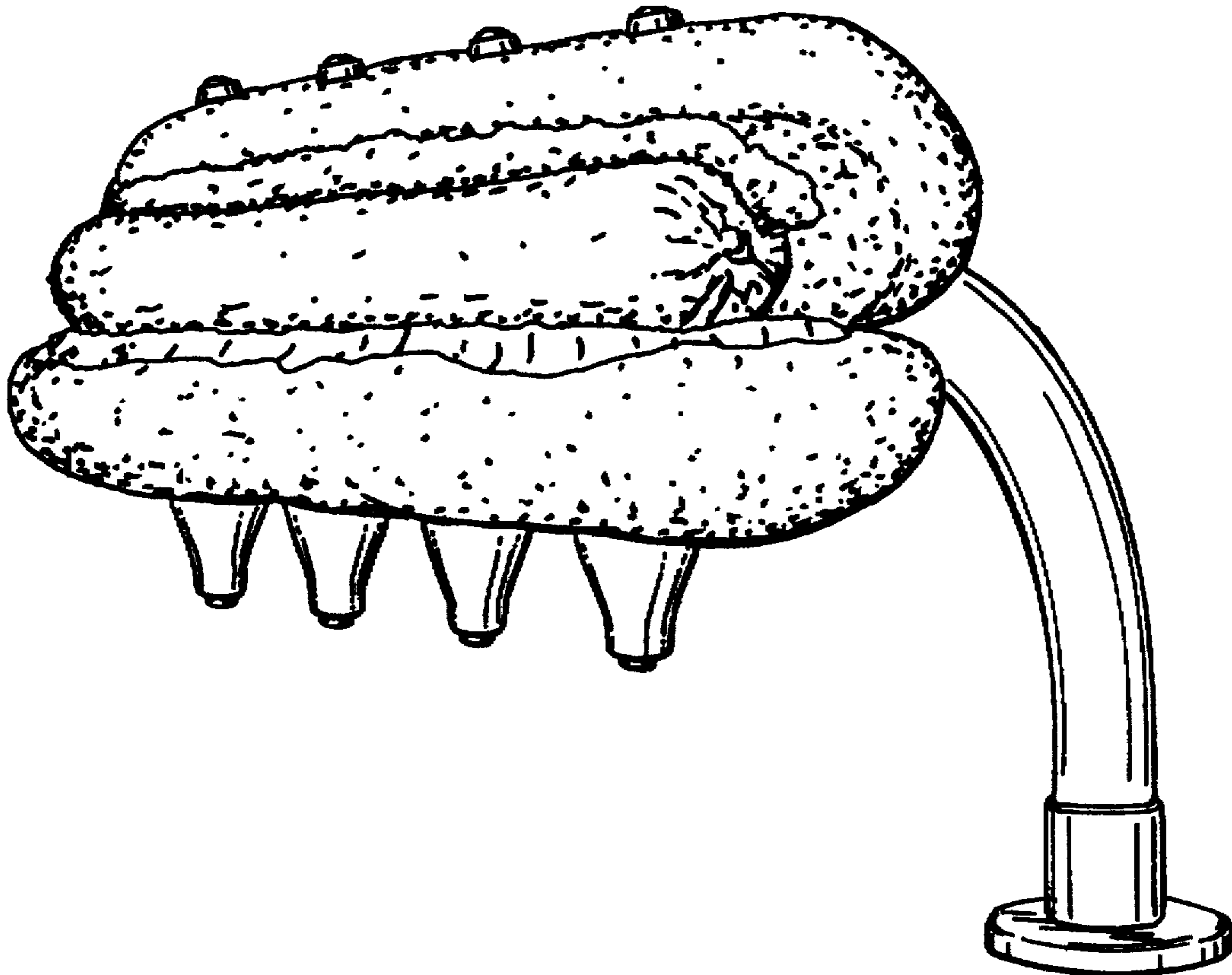
[57] **CLAIM**

The ornamental design for a condiment dispensing system, as shown and described.

**DESCRIPTION**

FIG. 1 is a perspective view of a condiment dispensing system showing my new design;  
FIG. 2 is a top plan view thereof;  
FIG. 3 is a front elevational view thereof;  
FIG. 4 is a right side elevational view, the left side elevational view being a mirror image;  
FIG. 5 is a rear elevational view thereof; and,  
FIG. 6 is a bottom plan view thereof.

**1 Claim, 2 Drawing Sheets**



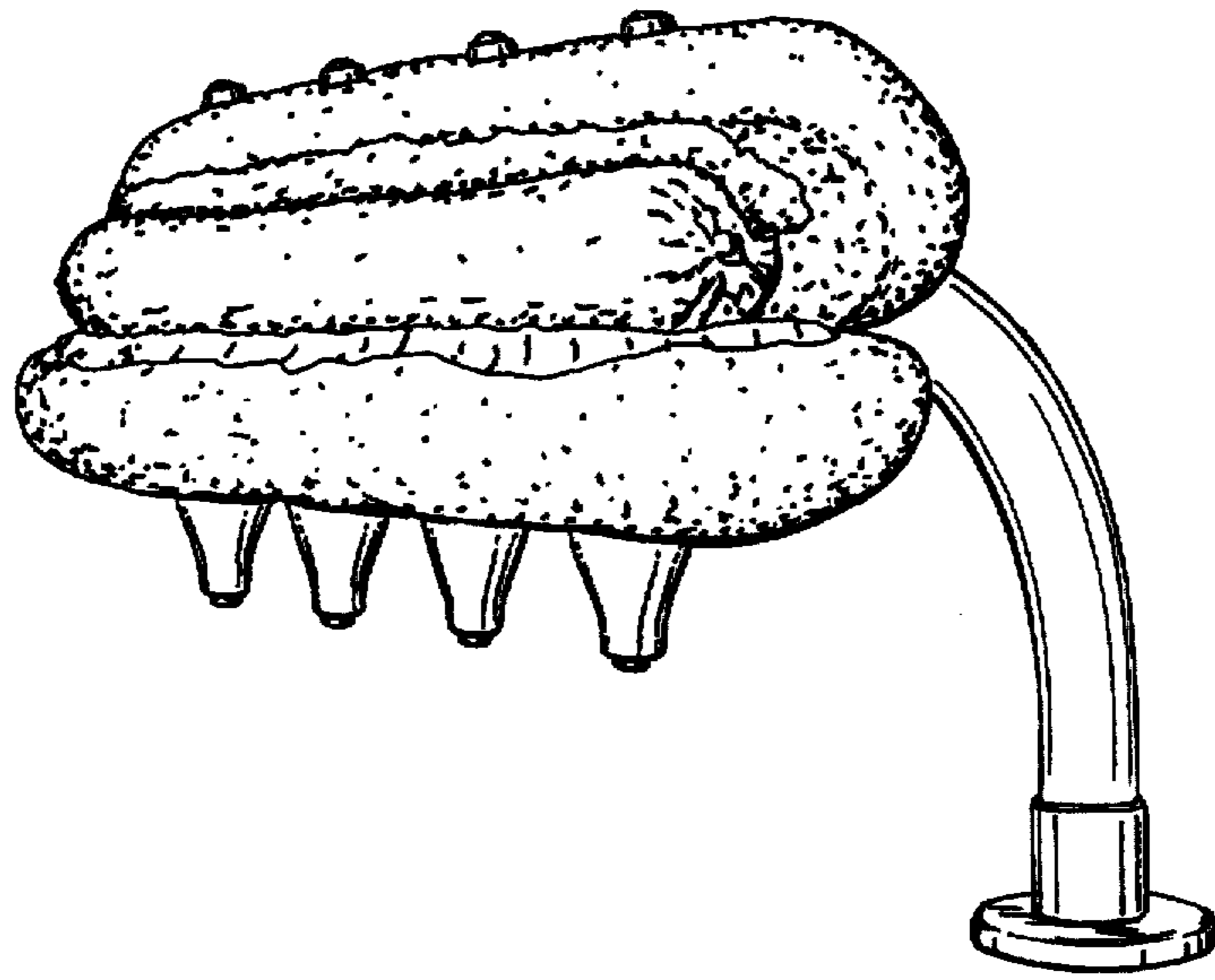


FIG. 1.

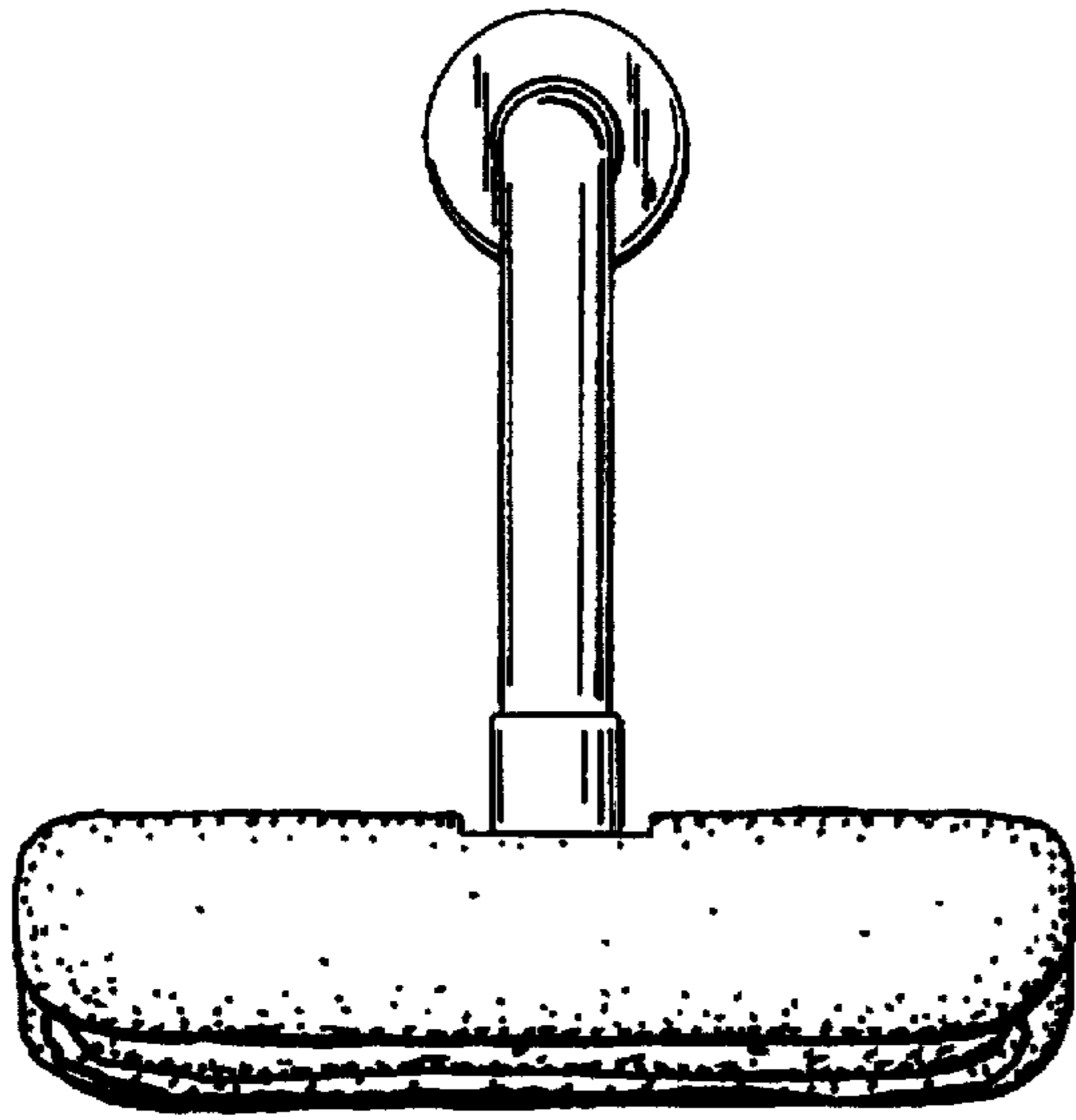


FIG. 2.

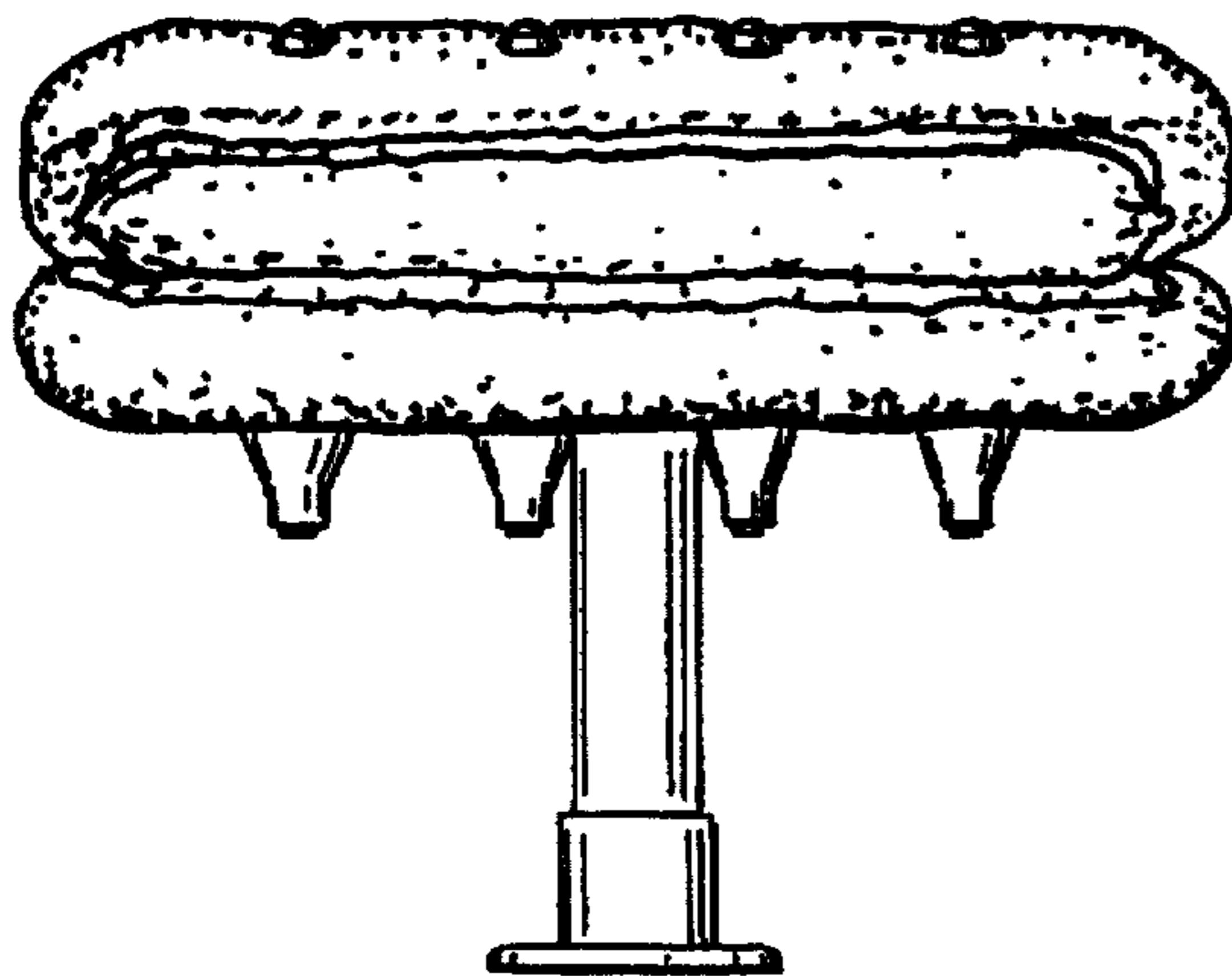


FIG. 3.

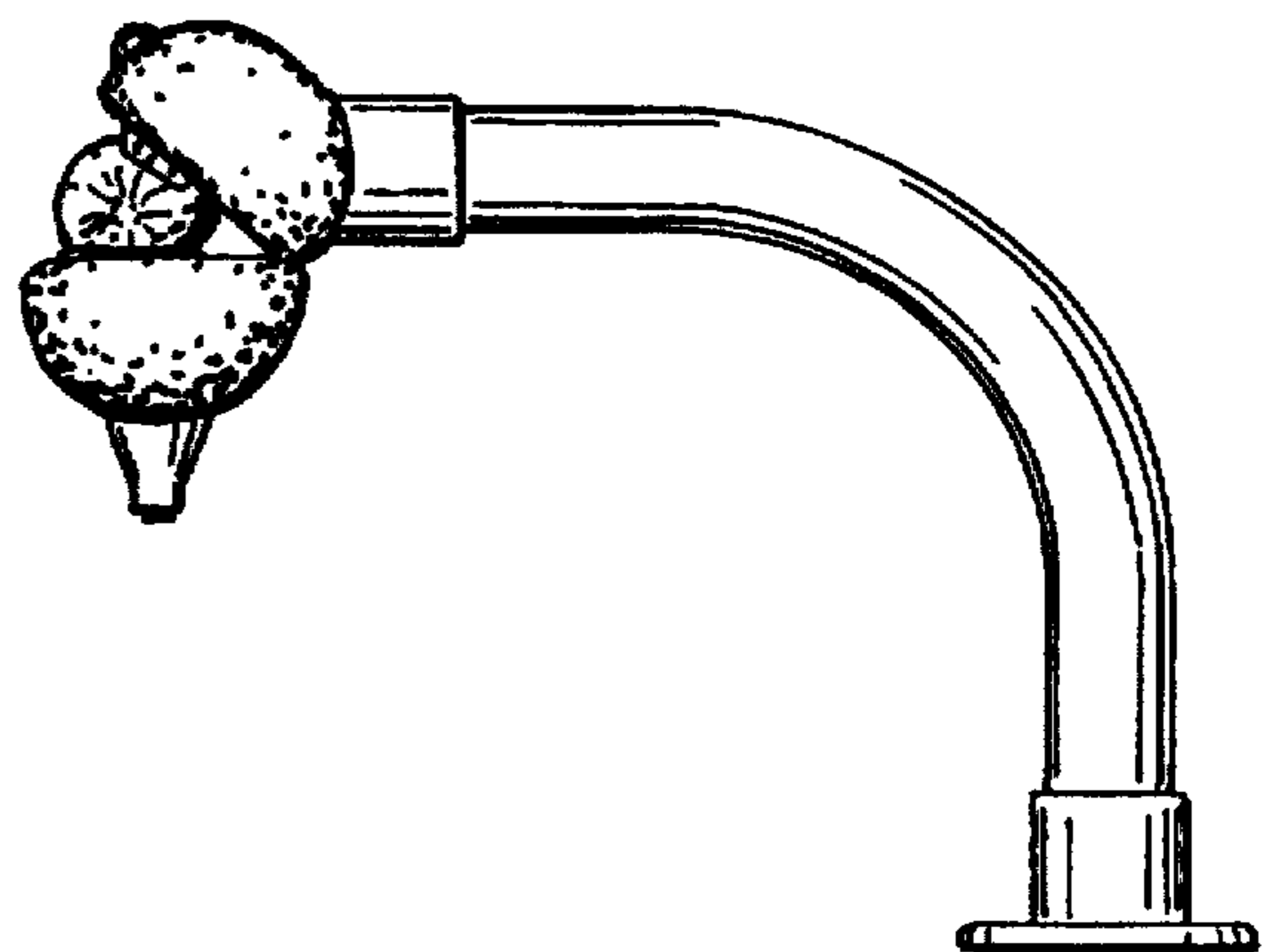
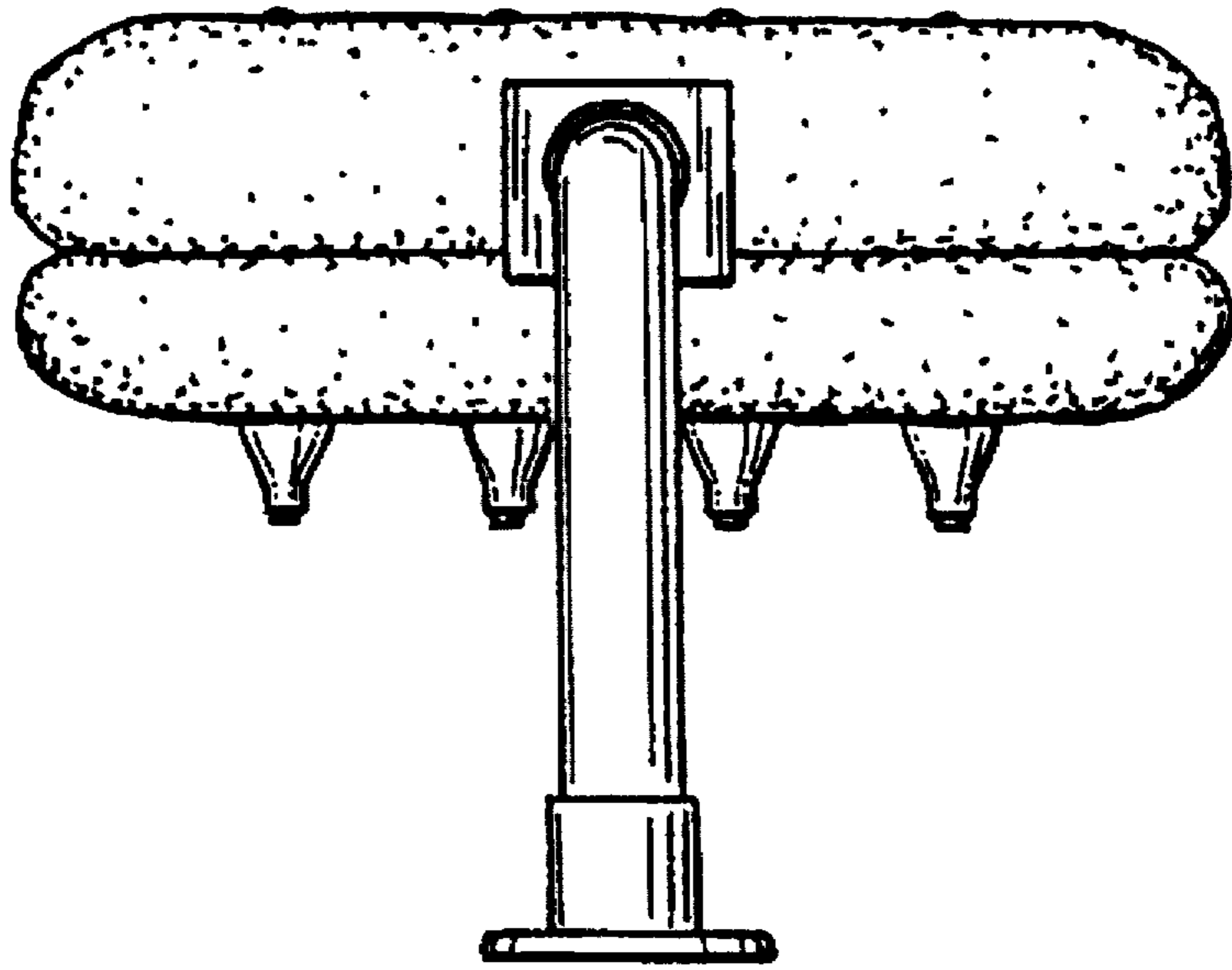
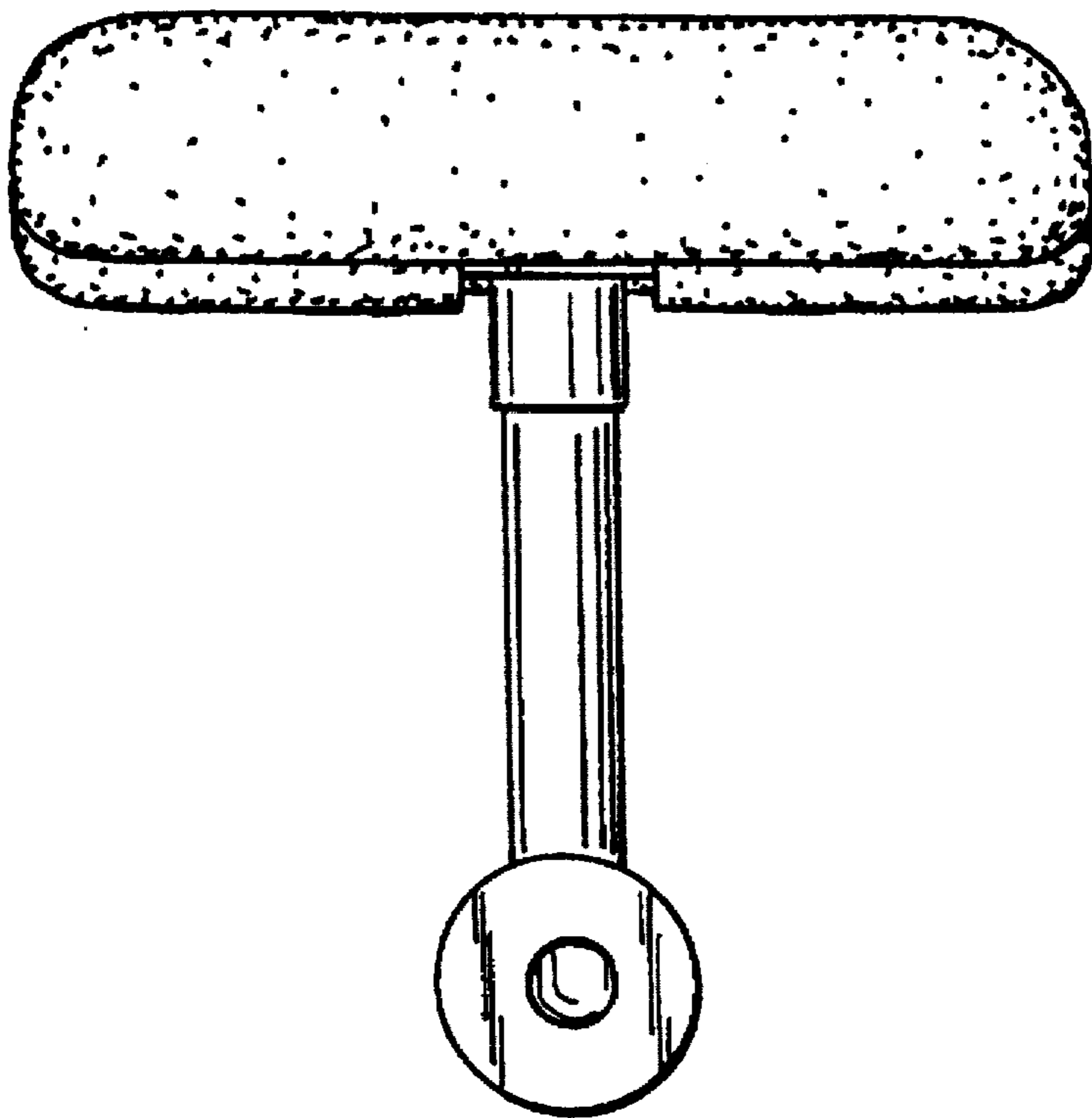


FIG. 4.



*FIG. 5.*



*FIG. 6.*