



US00D392502S

# United States Patent [19]

[11] Patent Number: **Des. 392,502**

Ashcraft et al.

[45] Date of Patent: **\*\*Mar. 24, 1998**

[54] **COMBINED THREE BURNER COOK TOP WITH SEALED BURNERS**

5,046,477 9/1991 Bennett et al. .... 126/39 R  
5,119,802 6/1992 Cherry et al. .... 126/21 A

[75] Inventors: **Walter M. Ashcraft, Schaumburg, Ill.;  
David Steele, Beloit, Wis.**

*Primary Examiner*—Ruth McInroy  
*Attorney, Agent, or Firm*—Leydig, Voit & Mayer, Ltd.

[73] Assignee: **Atwood Mobile Products, Rockford, Ill.**

### [57] CLAIM

[\*\*] Term: **14 Years**

The ornamental design for a combined three burner cook top with sealed burners, as shown and described.

[21] Appl. No.: **64,726**

### DESCRIPTION

[22] Filed: **Jan. 9, 1997**

FIG. 1 is a top perspective view of a combined three burner cook top with sealed burners showing our new design, the counter top into which the cook top is normally recessed is shown in broken lines for illustrative purposes only and forms no part of the claimed design;

[51] LOC (6) Cl. .... **07-02**

[52] U.S. Cl. .... **D7/346**

[58] Field of Search ..... D7/340, 346, 407-408,  
D7/363-367; 126/39 H, 39 J, 214 C, 214 R;  
219/443, 462, 446; 99/446

FIG. 2 is a top view thereof;

FIG. 3 is a front view thereof;

FIG. 4 is a back view thereof;

FIG. 5 is a side view thereof; and,

FIG. 6 is a side view thereof showing the side opposite that shown in FIG. 5.

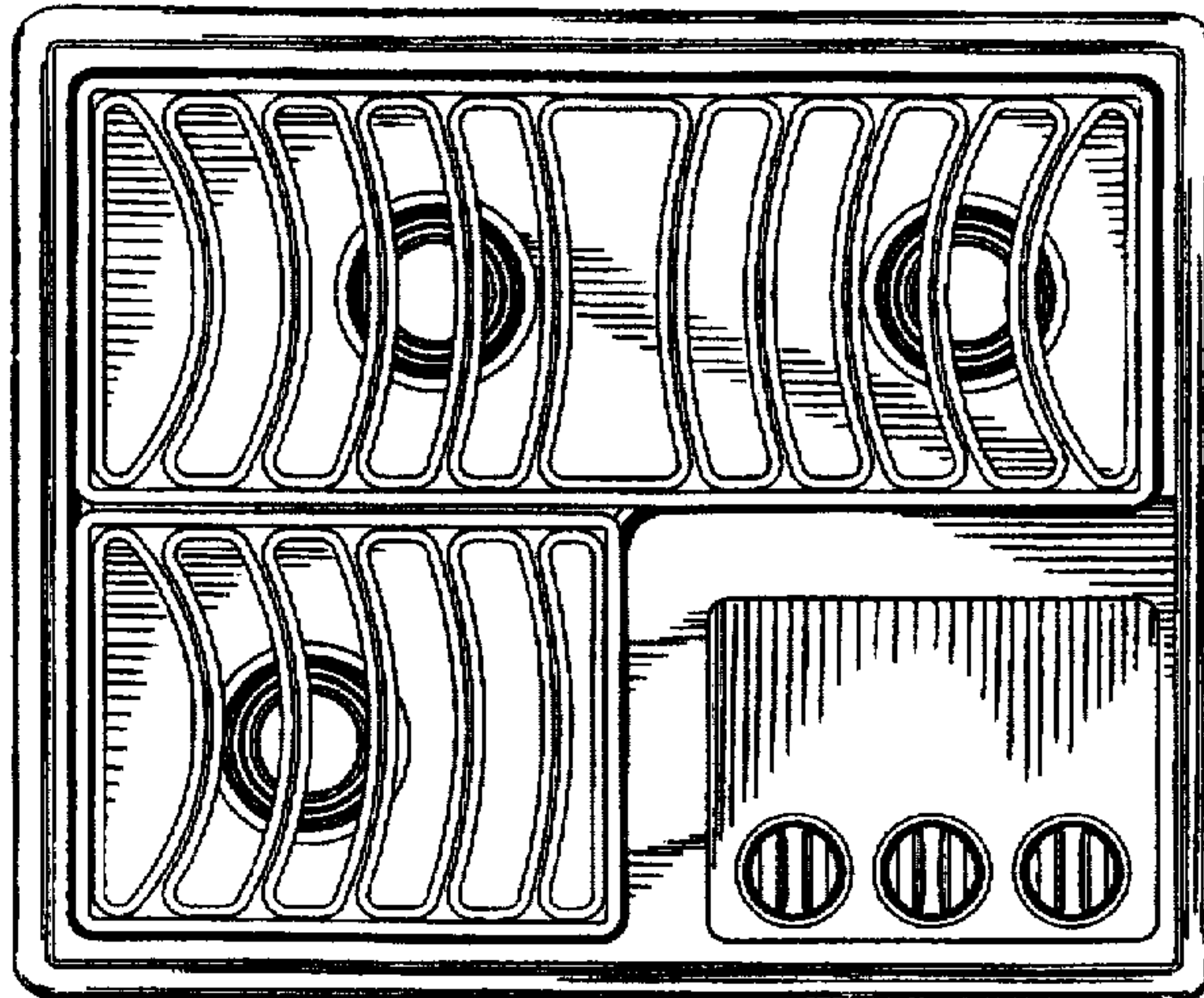
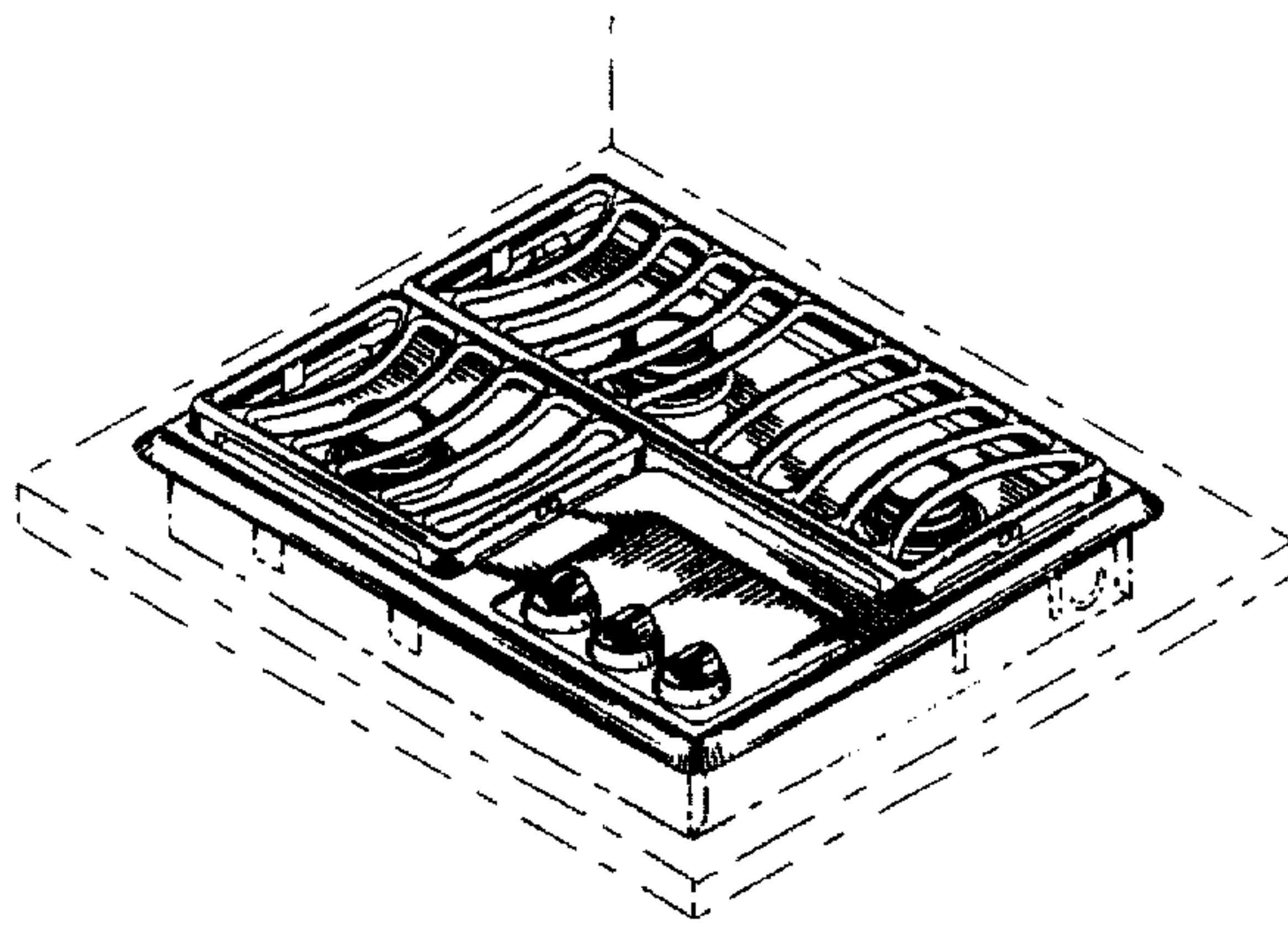
The bottom frame of the cook top shown in broken lines in FIGS. 1 and 3-6 is for illustrative purposes only and forms no part of the claimed design.

### [56] References Cited

#### U.S. PATENT DOCUMENTS

D. 343,336	1/1994	Falk	.....	D7/407
D. 343,989	2/1994	Falk	.....	D7/407
D. 372,630	8/1996	Lewis et al.	.....	D7/346
3,044,459	7/1962	Brown	.....	126/39 H

**1 Claim, 2 Drawing Sheets**



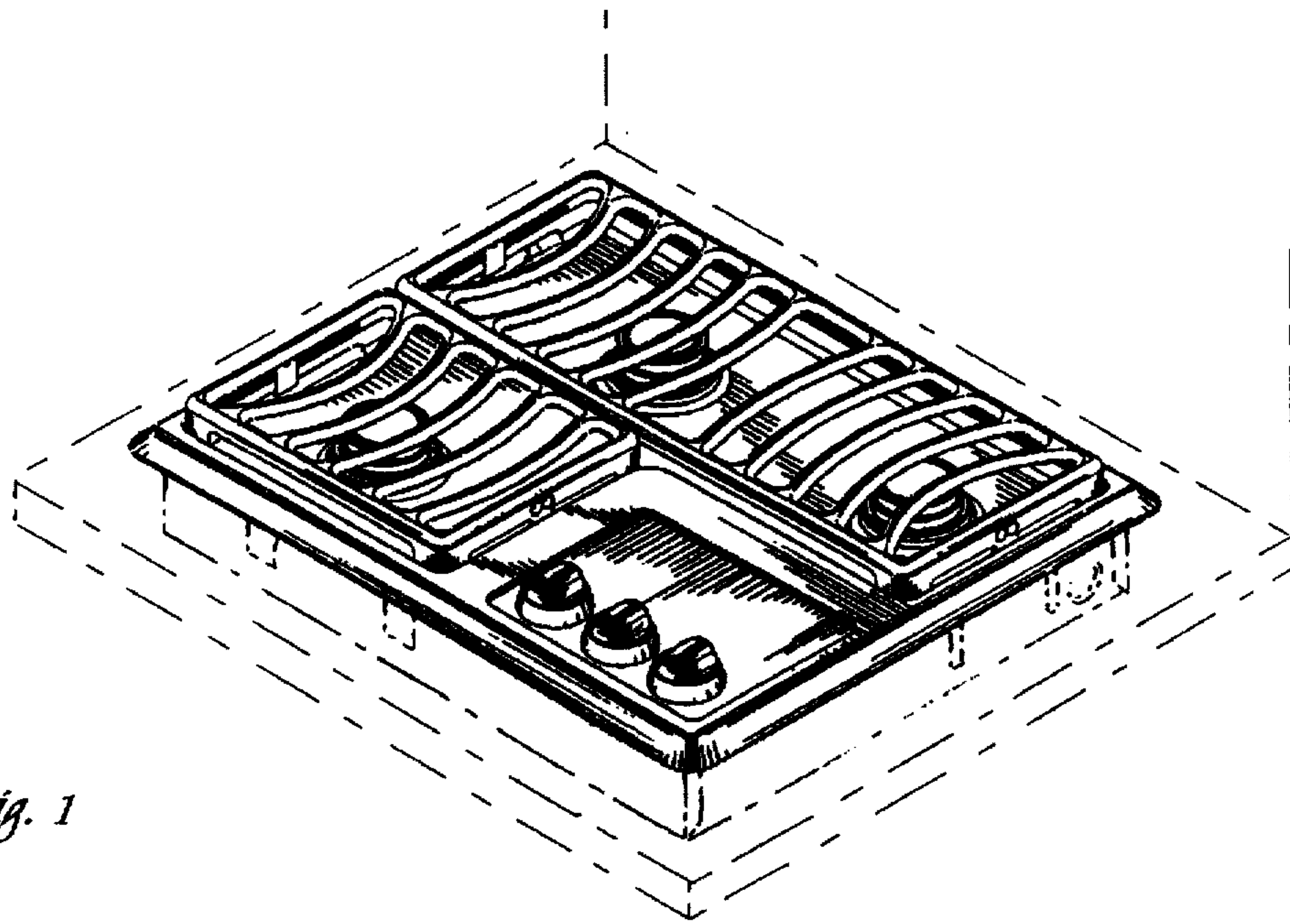


Fig. 1

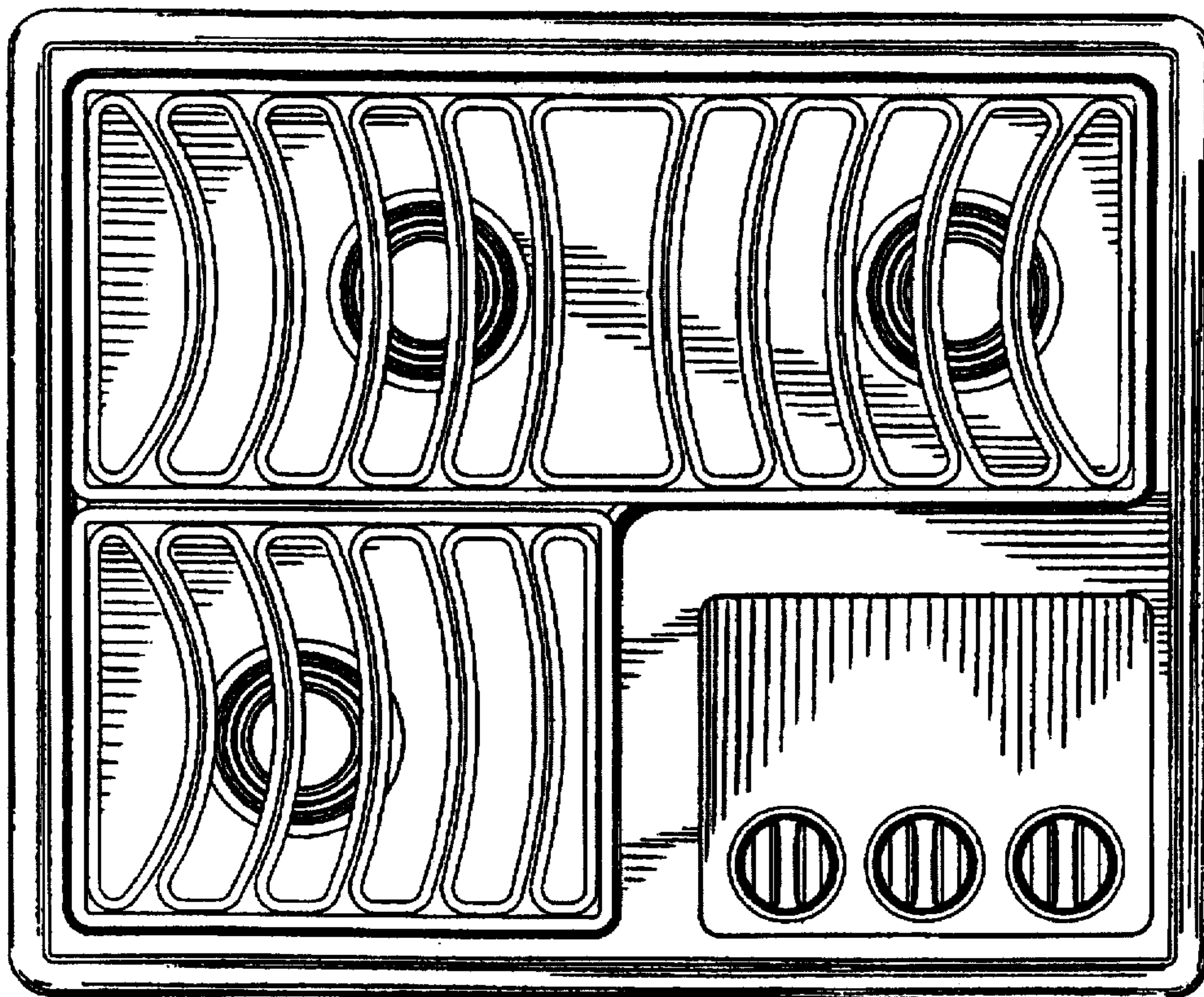


Fig. 2



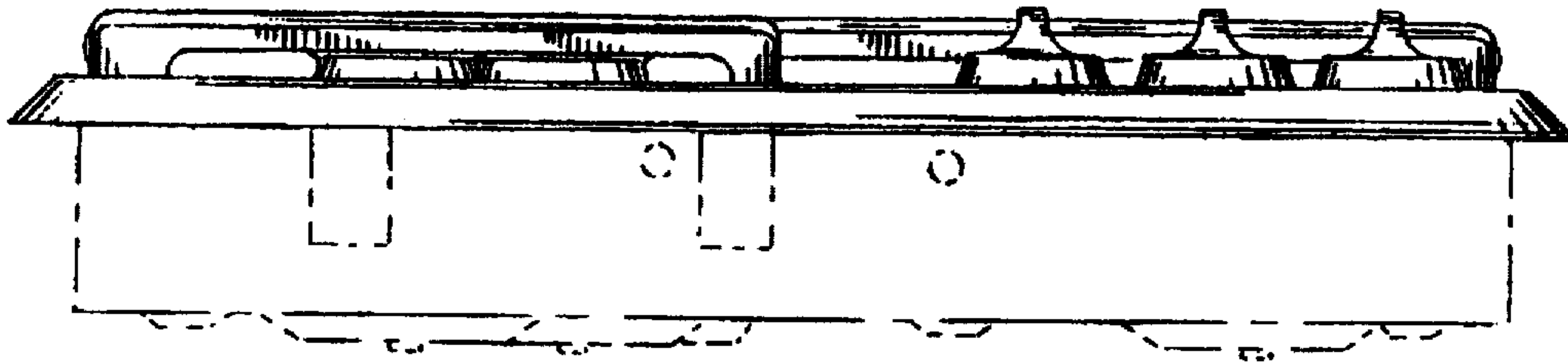


Fig. 3

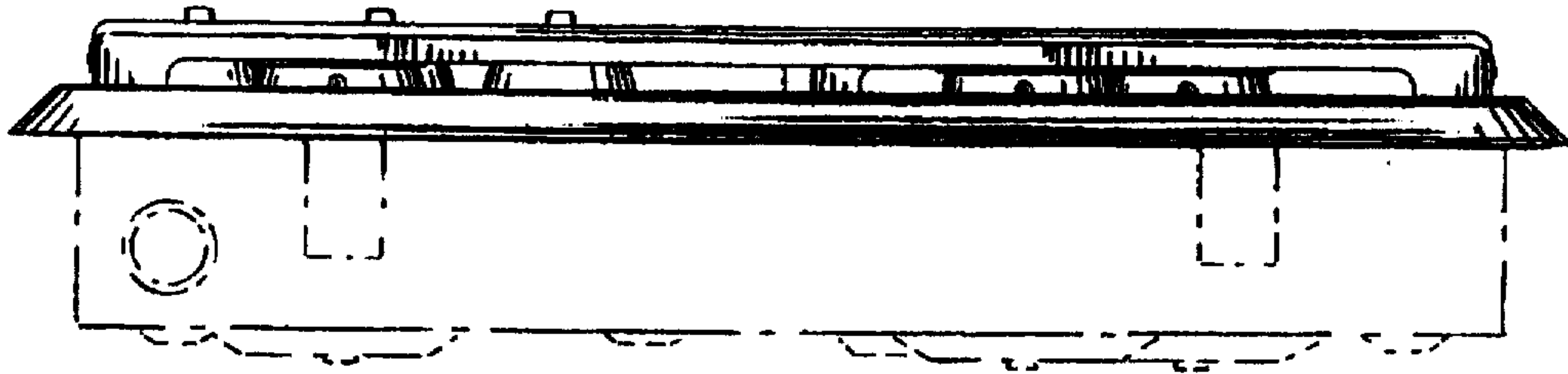


Fig. 4

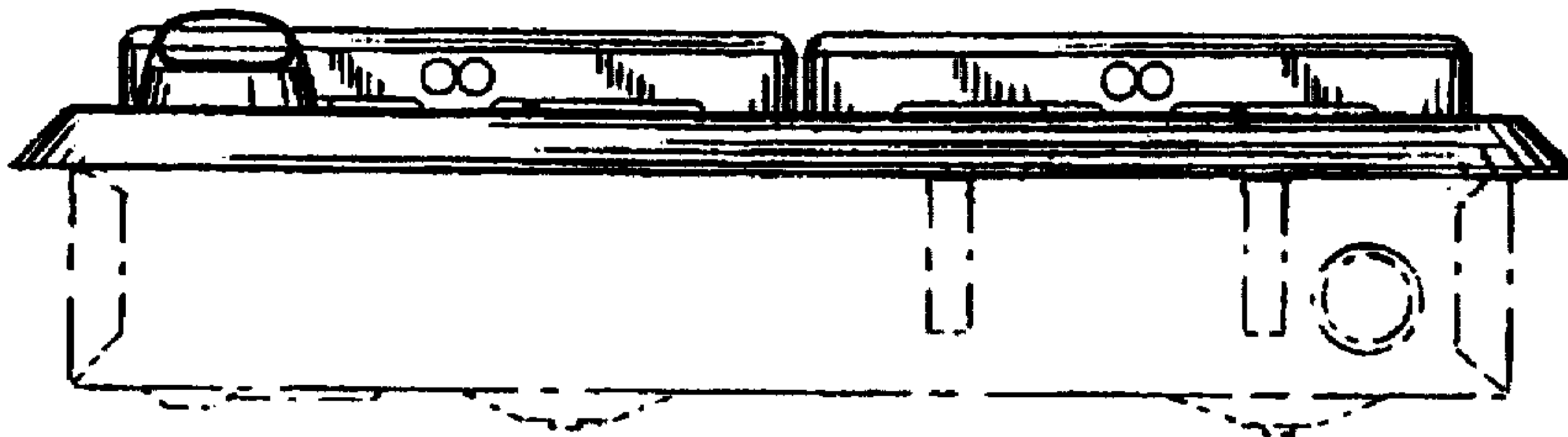


Fig. 5

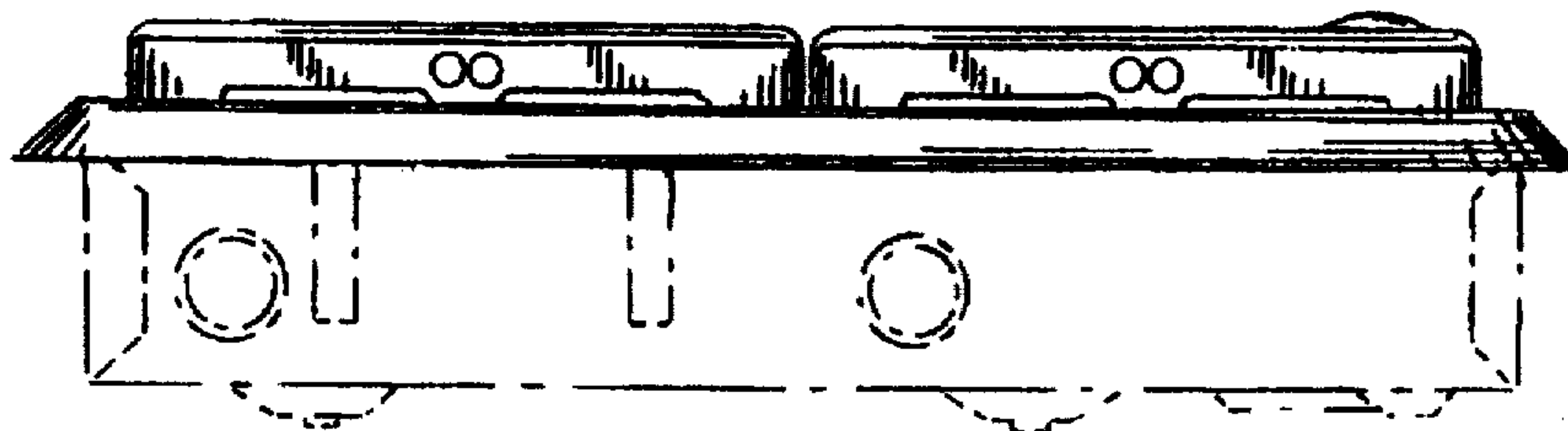


Fig. 6