

US00D392500S

# United States Patent [19]

McEwan

[11] Patent Number: **Des. 392,500**

[45] Date of Patent: **\*\*Mar. 24, 1998**

[54] **COMPACT DISC CASE**

[76] Inventor: **Sturt McEwan**, 39 Ellalong Road,  
Cremorne, New South Wales, Australia,  
2090

[\*\*] Term: **14 Years**

[21] Appl. No.: **35,314**

[22] Filed: **Feb. 24, 1995**

[30] **Foreign Application Priority Data**

Aug. 26, 1994 [AU] Australia ..... 2758/1994

[51] LOC (6) Cl. .... **14-99**

[52] U.S. Cl. .... **D6/634**

[58] Field of Search ..... D6/407, 626-635;  
D19/75, 76, 26; D9/432, 304, 306; D14/114;  
211/41, 40; 206/387.1, 387.15, 311, 312,  
307, 307.1, 308.1, 308.3, 309; D3/247,  
248, 249

[56] **References Cited**

**U.S. PATENT DOCUMENTS**

- D. 293,507 1/1988 Ogisu ..... D6/634
- D. 324,300 3/1992 Yashuhara et al. .... D6/634
- D. 350,867 9/1994 Lim ..... D6/631
- D. 362,367 9/1995 Olsson et al. .... D6/632
- 4,793,480 12/1988 Gelardi et al. .... 206/308.1

- 5,168,991 12/1992 Whitehead et al. .... 206/312
- 5,269,409 12/1993 Brandt et al. .... 206/311
- 5,366,073 11/1994 Turrentine et al. .... 206/312

**FOREIGN PATENT DOCUMENTS**

- 212377 3/1987 European Pat. Off. .... 206/307
- 3027804 2/1982 Germany ..... 206/307

*Primary Examiner*—Louis S. Zarfaz  
*Assistant Examiner*—Eric Watterson  
*Attorney, Agent, or Firm*—Oppenheimer Poms Smith

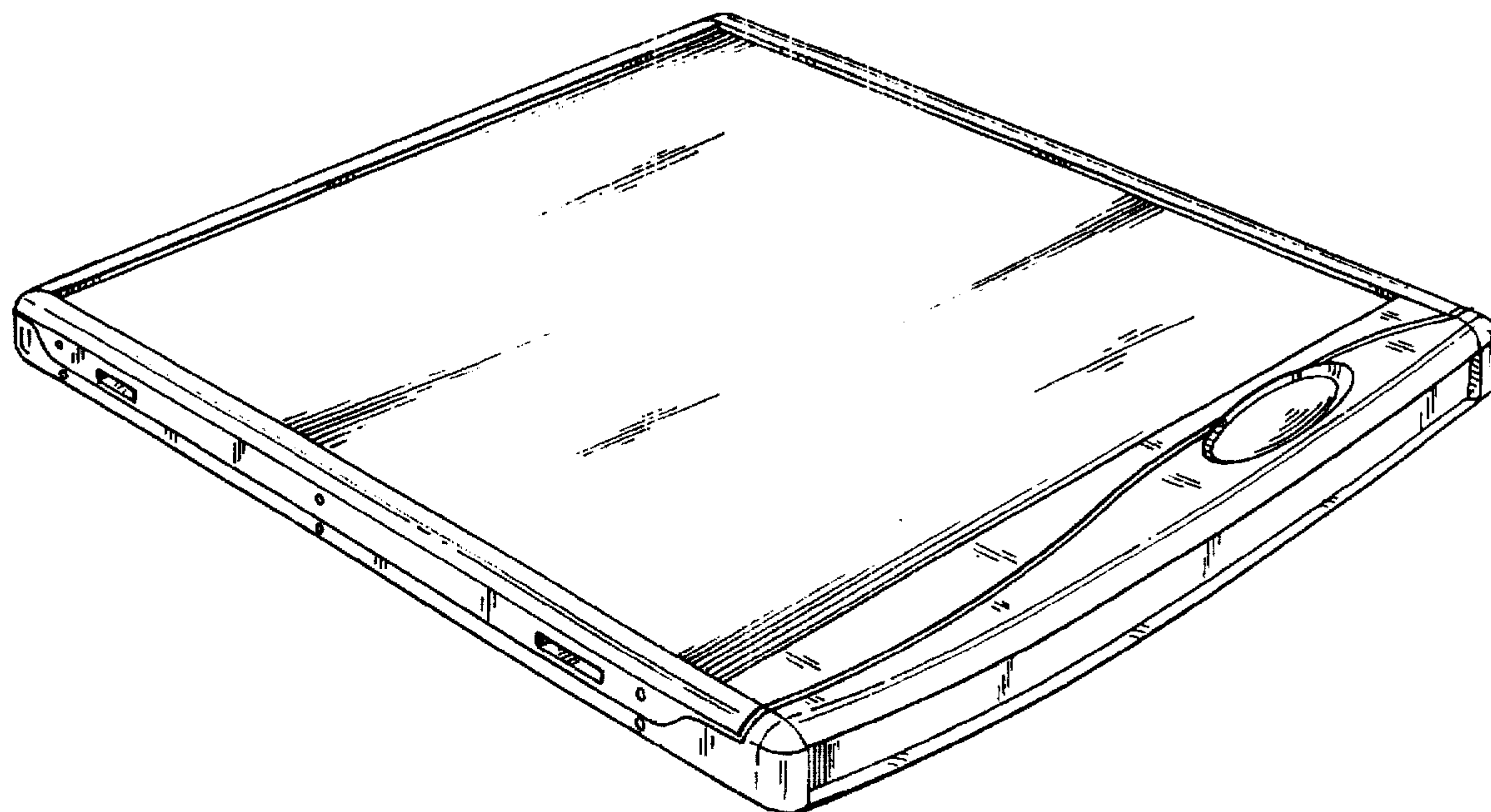
[57] **CLAIM**

The ornamental design for a compact disk case, as shown and described.

**DESCRIPTION**

FIG. 1 is a top view in accordance with the present invention, shown in the closed position;  
FIG. 2 is a top view in accordance with the present invention, shown in the open position;  
FIG. 3 is a top plan view of FIG. 1;  
FIG. 4 is a front view thereof;  
FIG. 5 is a rear view thereof;  
FIG. 6 is a left side view thereof;  
FIG. 7 is a right side view thereof; and  
FIG. 8 is a bottom view thereof.

**1 Claim, 3 Drawing Sheets**



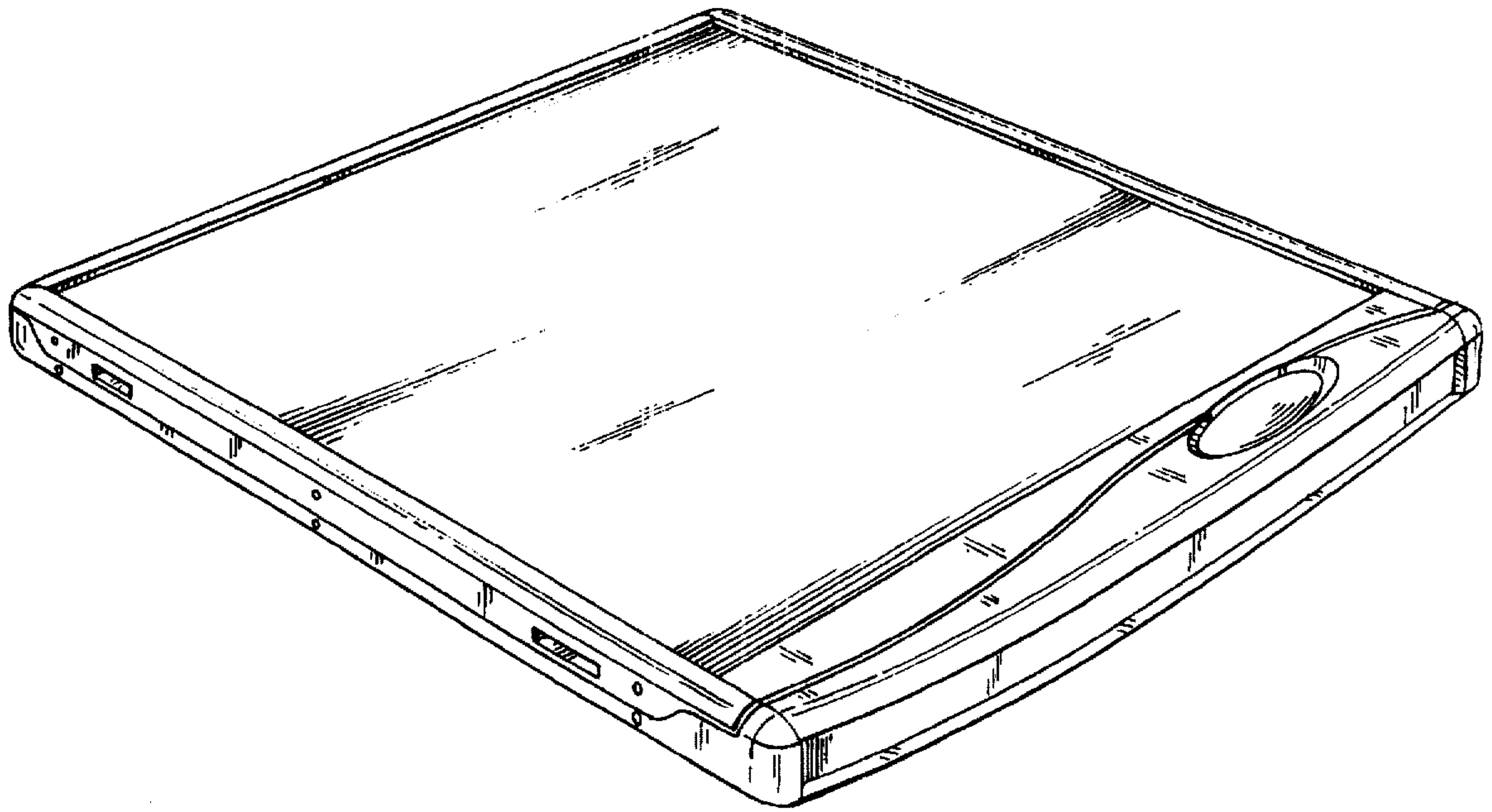


FIG. 1

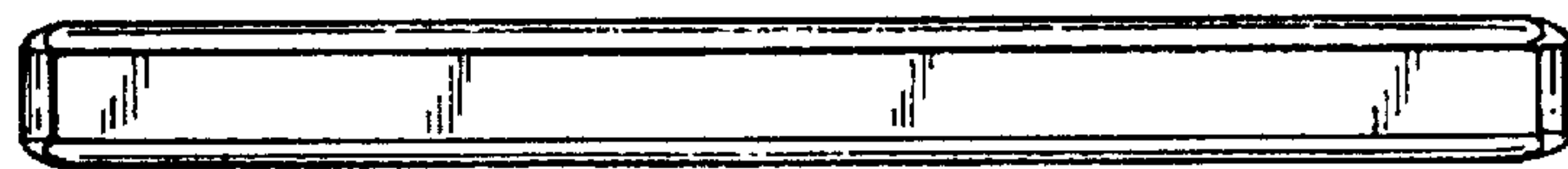


FIG. 4

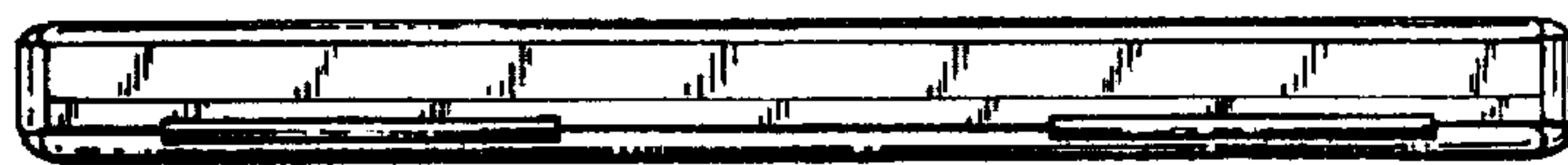


FIG. 5

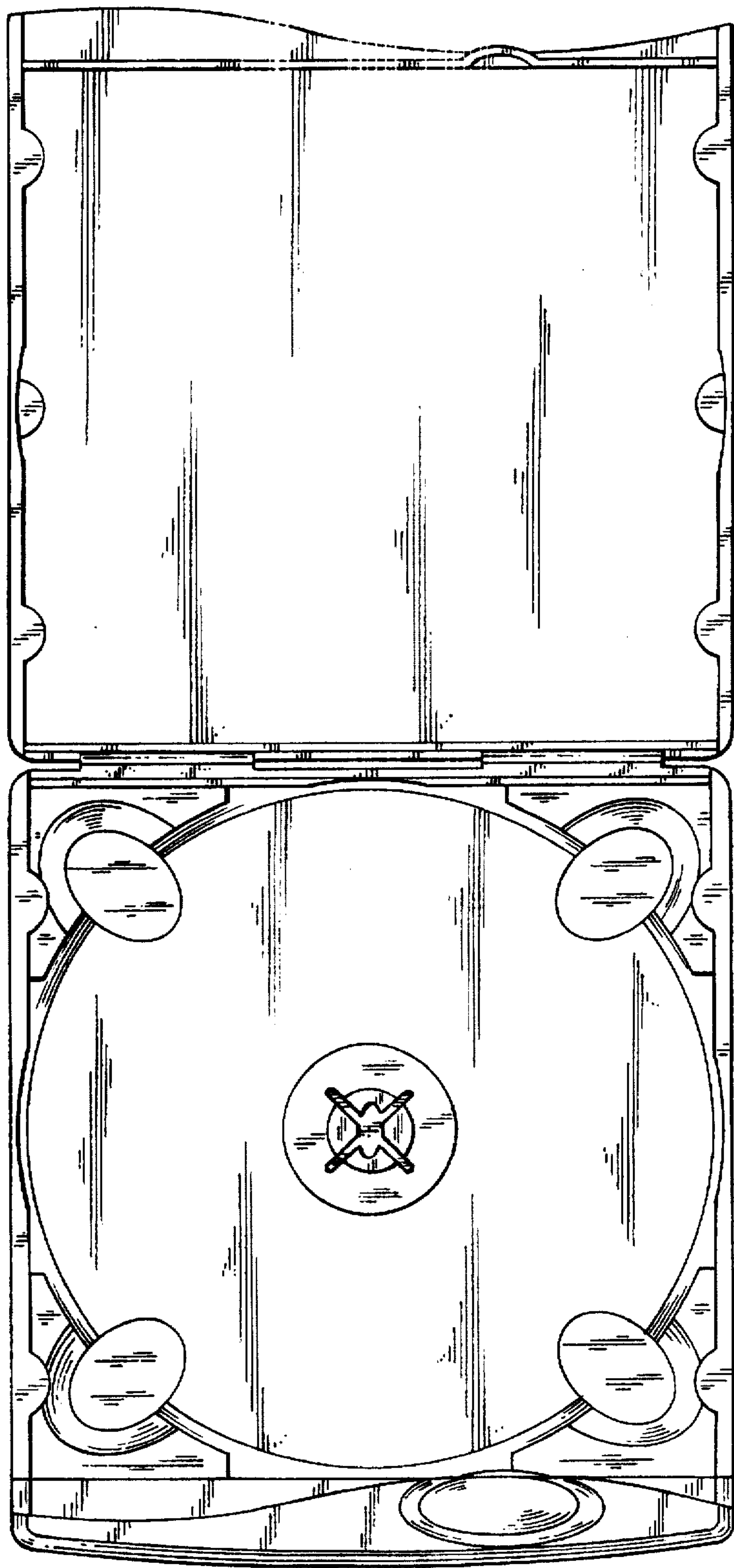


FIG. 2

FIG. 6

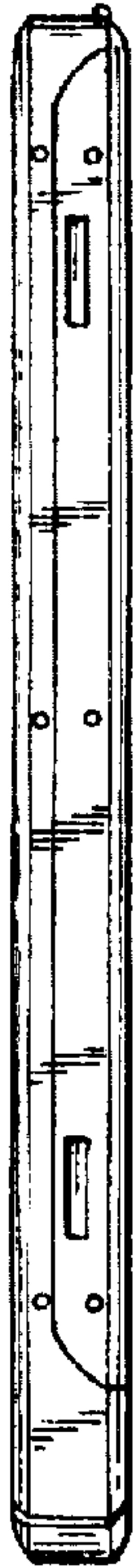


FIG. 3

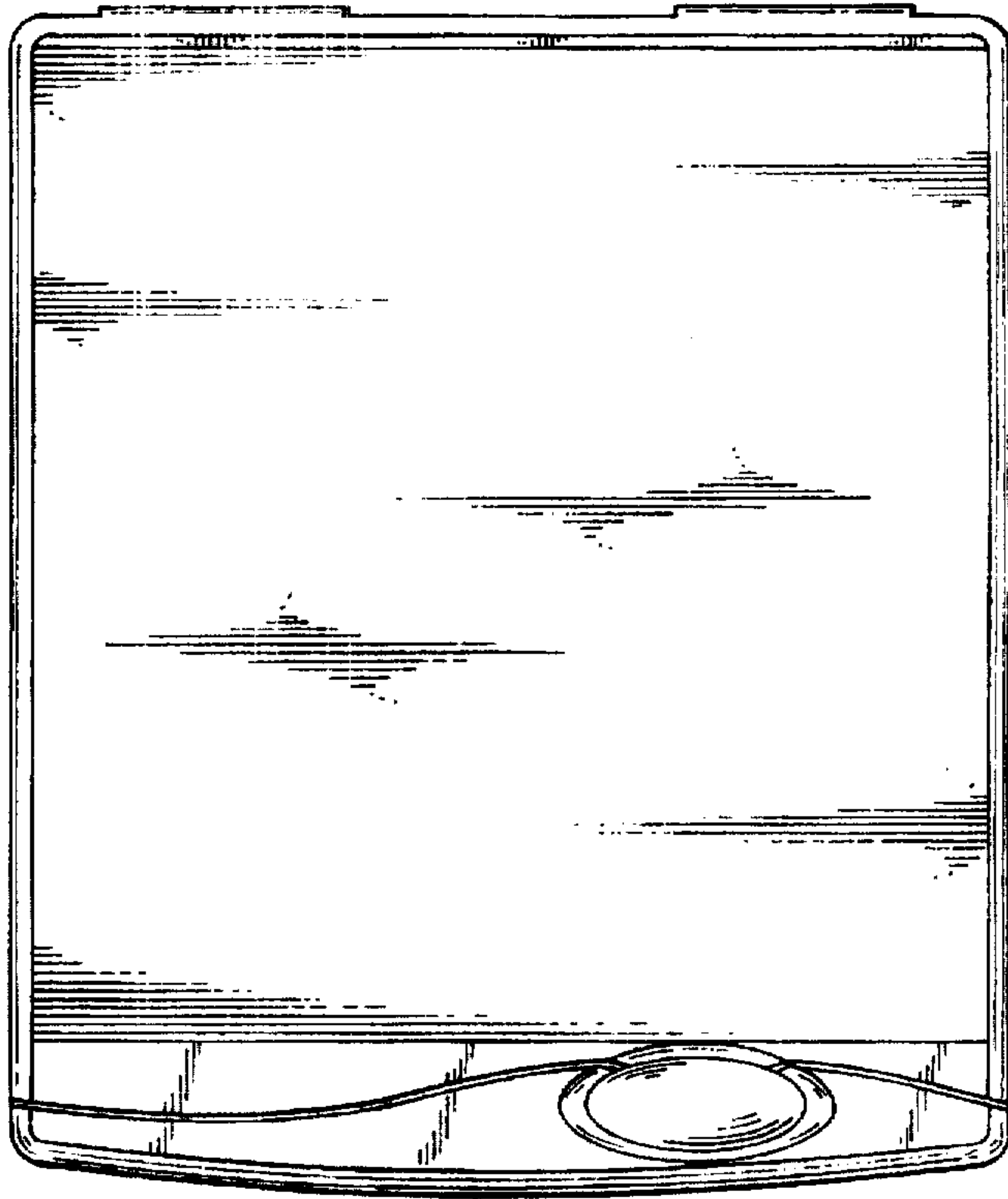


FIG. 7

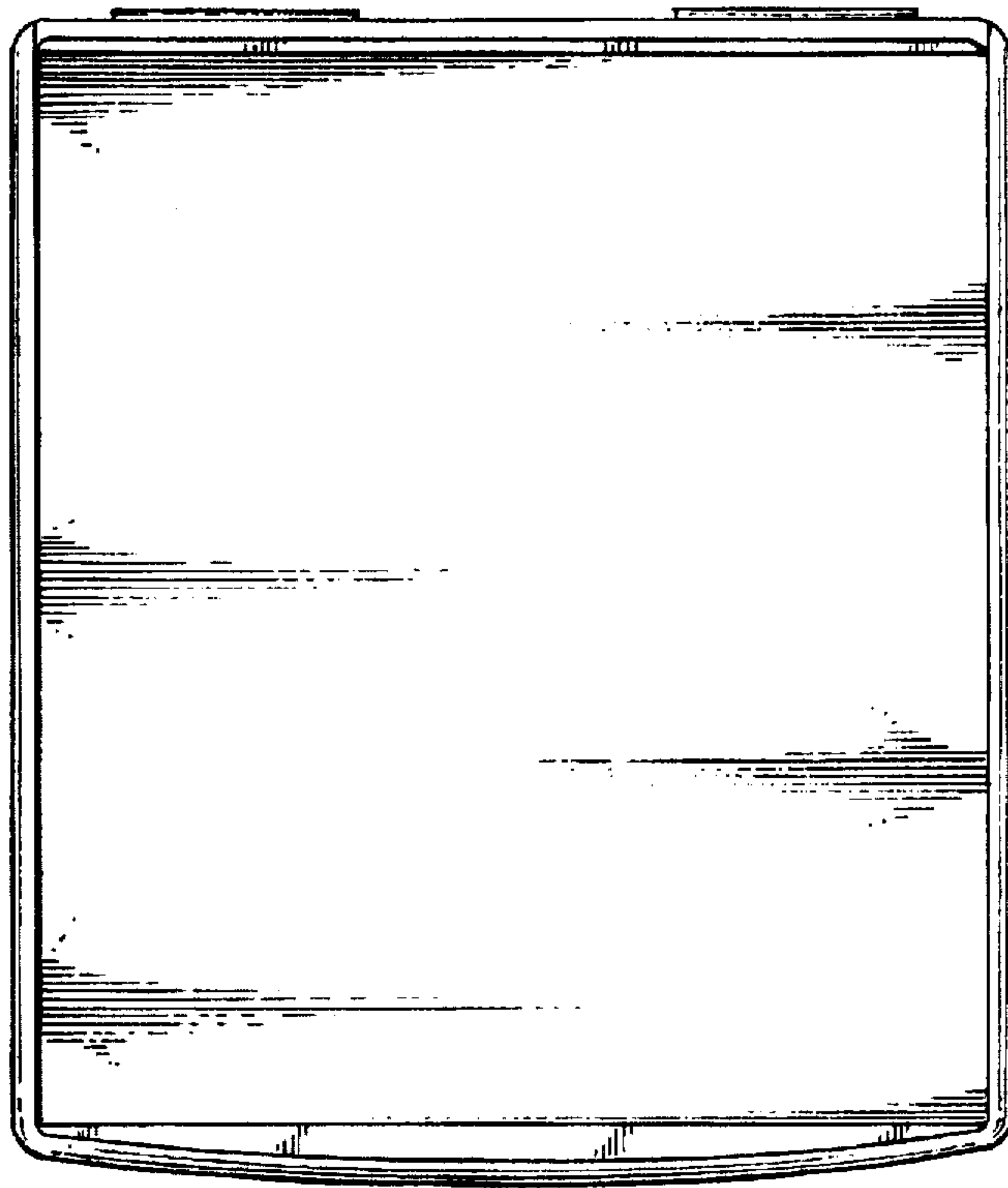


FIG. 8