



US00D392499S

**United States Patent** [19]  
**Smith**

[11] **Patent Number: Des. 392,499**  
[45] **Date of Patent: \*\*Mar. 24, 1998**

[54] **DEVICE FOR SUPPORTING COMPACT DISC CASES AND OTHER OBJECTS**

[75] **Inventor: James Andrew Smith, Woodstock, Ga.**

[73] **Assignee: William H. Palmer, Roswell, Ga.; a part interest**

[\*\*] **Term: 14 Years**

[21] **Appl. No.: 58,398**

[22] **Filed: Aug. 14, 1996**

[51] **LOC (6) Cl. .... 06-04**

[52] **U.S. Cl. .... D6/630; D6/457**

[58] **Field of Search .... D6/407, 415, 626-630, D6/457, 458, 495; 211/40-42, 32, 163; 206/449, 503, 509, 309, 307, 307.1, 308.1, 387.1, 387.15, 445, 454**

[56] **References Cited**

**U.S. PATENT DOCUMENTS**

- D. 328,534 8/1992 McClave ..... D6/457
- D. 333,055 2/1993 Kaye ..... D6/495
- D. 342,395 12/1993 Huang .
- D. 343,533 1/1994 David .
- D. 351,513 10/1994 Kreppein ..... D6/407
- D. 351,528 10/1994 Dardashti .
- D. 352,415 11/1994 Koziol .
- D. 352,848 11/1994 Dardashti .
- D. 356,700 3/1995 Lee ..... D6/407
- D. 357,331 4/1995 Yeh .
- D. 359,647 6/1995 Dardashti .
- D. 360,097 7/1995 Chu .
- D. 360,799 8/1995 Rocco et al. .
- D. 361,012 8/1995 Dardashti .

- D. 361,465 8/1995 Dardashti .
- D. 365,243 12/1995 Kwa ..... D6/629
- D. 365,488 12/1995 Dardashti .
- D. 369,266 4/1996 Dardashti .
- 3,461,842 8/1969 Conrad et al. .... 211/41 X
- 5,188,240 2/1993 Marino et al. .... 211/41
- 5,195,642 3/1993 Dardashti .
- 5,301,819 4/1994 Moeken .
- 5,314,077 5/1994 Theosabrata .
- 5,341,943 8/1994 Fraser .
- 5,370,242 12/1994 Huang .
- 5,411,144 5/1995 Deupree ..... 211/32 X
- 5,480,036 1/1996 Opar ..... 211/163 X
- 5,542,550 8/1996 Kakavoulis-Perea et al. .... 211/41 X

*Primary Examiner*—Jeffrey Asch

[57] **CLAIM**

The ornamental design for a device for supporting compact disc cases and other objects, as shown and described.

**DESCRIPTION**

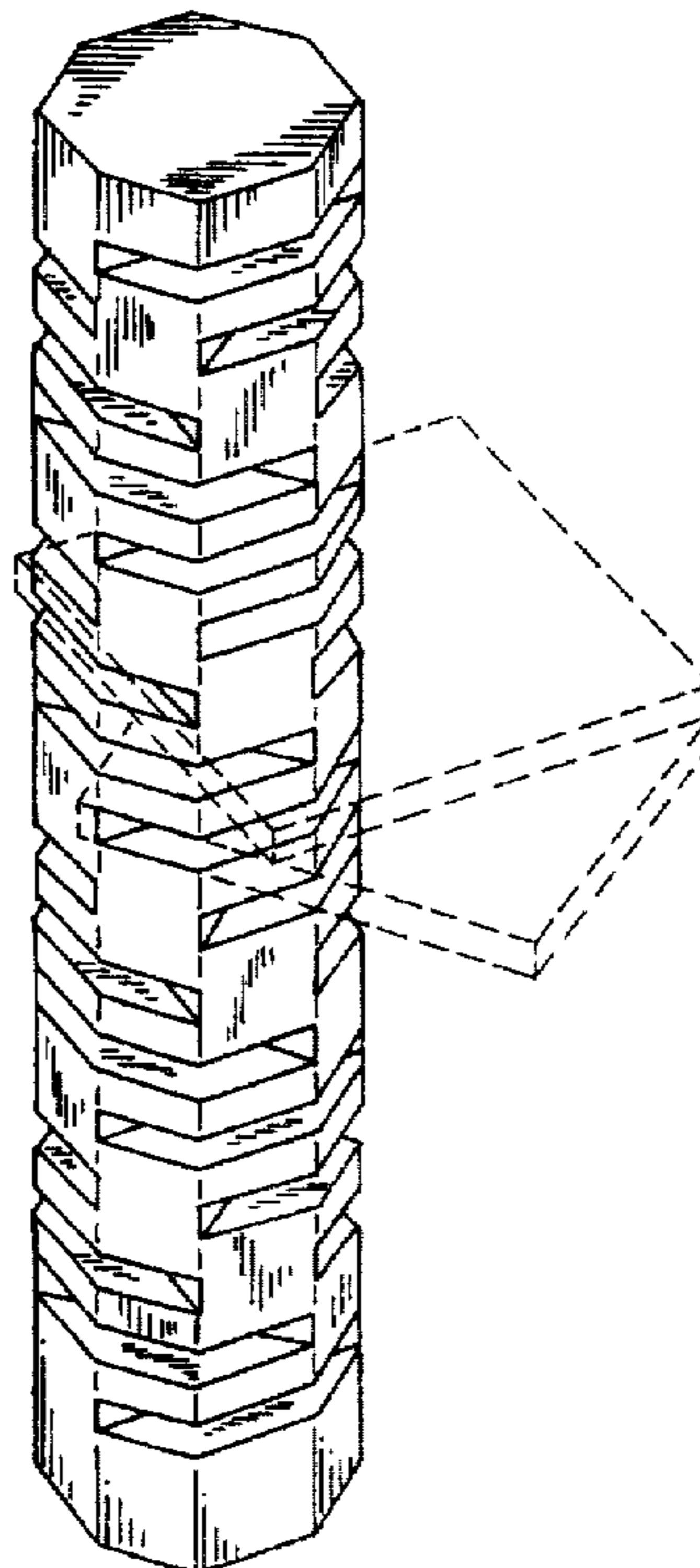
FIG. 1 is a perspective view of a device for supporting compact disc cases and other objects showing my new design;

FIG. 2 is a front view thereof; and,

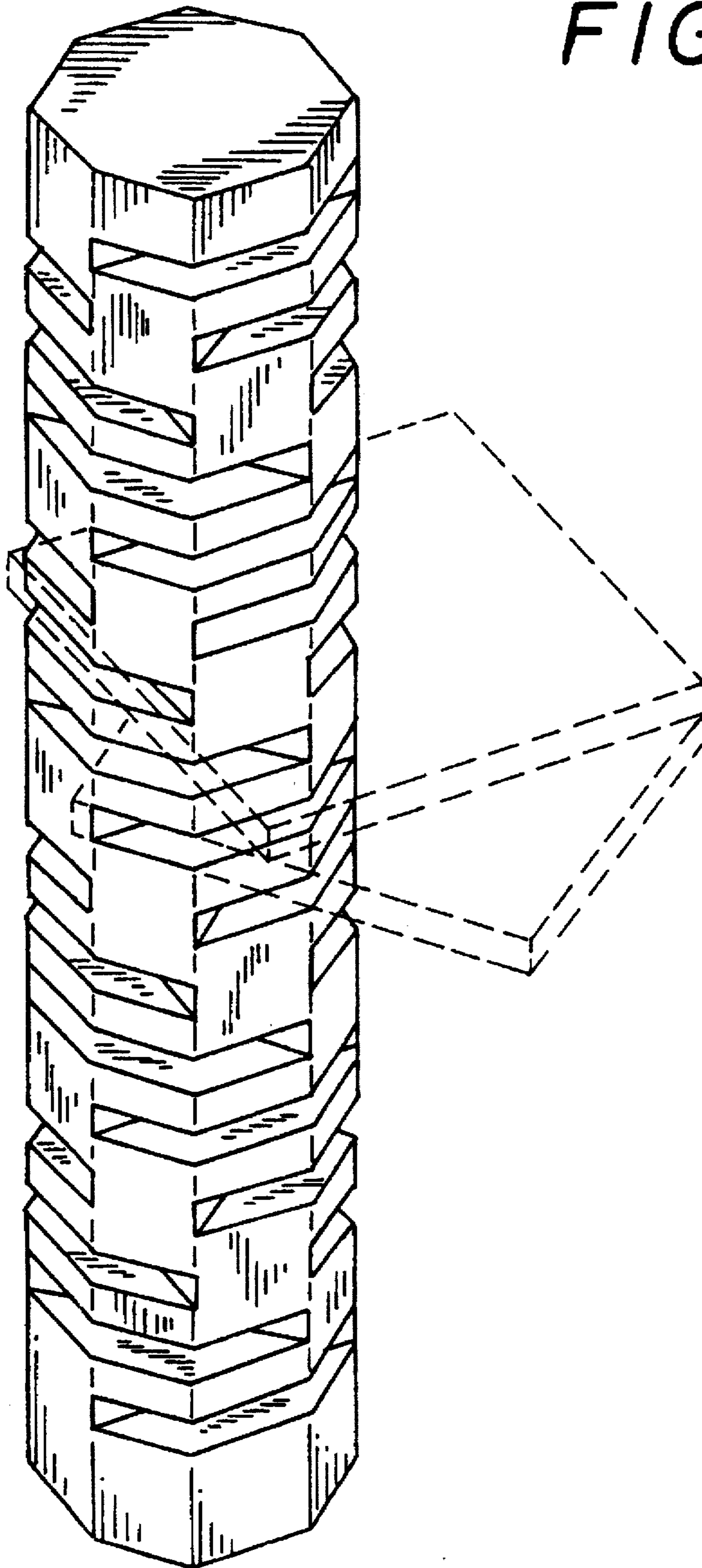
FIG. 3 is a sectional view thereof, along the section line 3—3 in FIG. 2.

The rear view is substantially the same as the front view; and, the left and right sides of the device are substantially identical. The broken lines in the drawings represent compact disc cases which can be supported on the device and are for illustrative purposes only and form no part of the claimed design.

**1 Claim, 3 Drawing Sheets**



*FIG. 1*



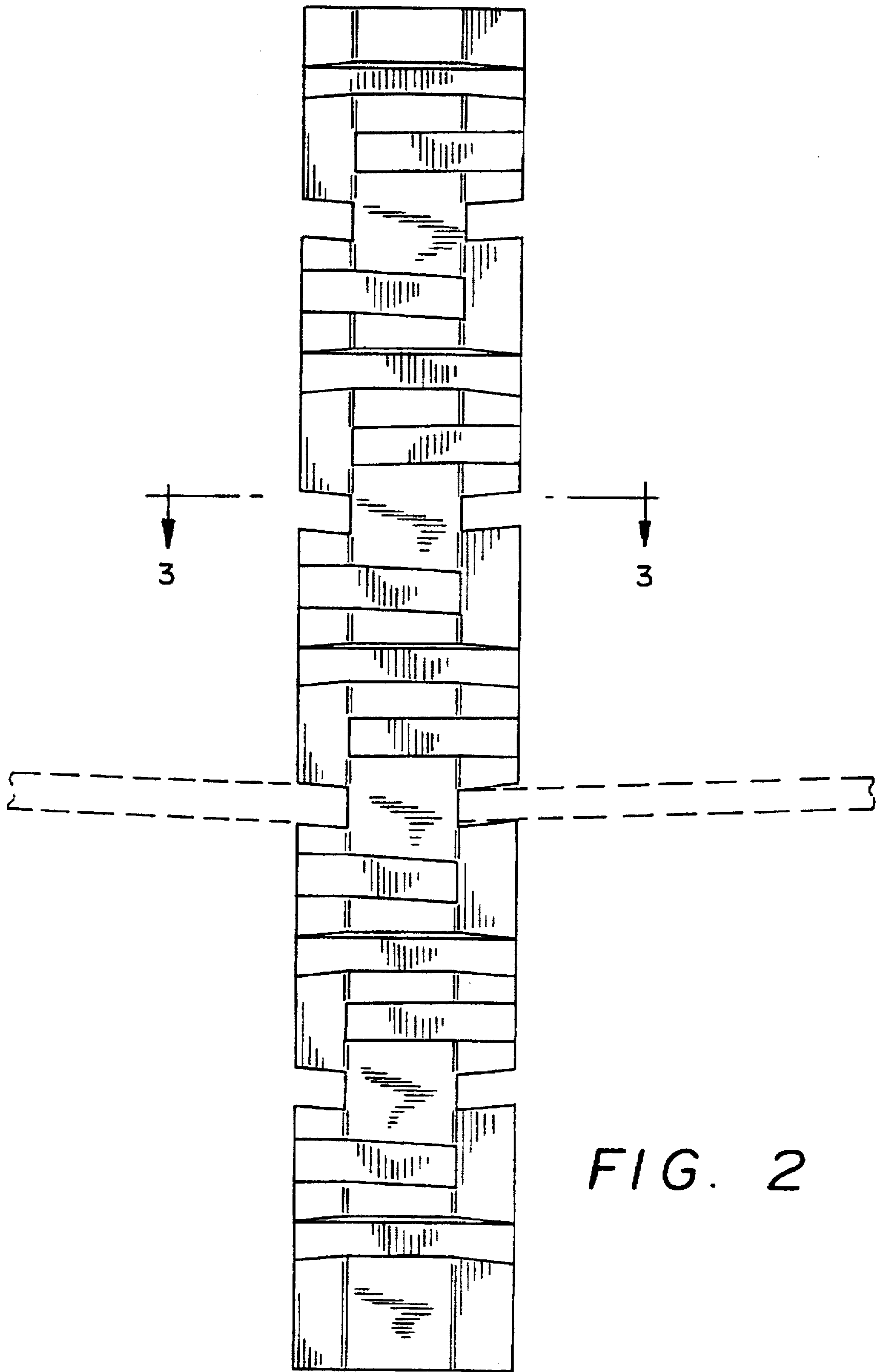
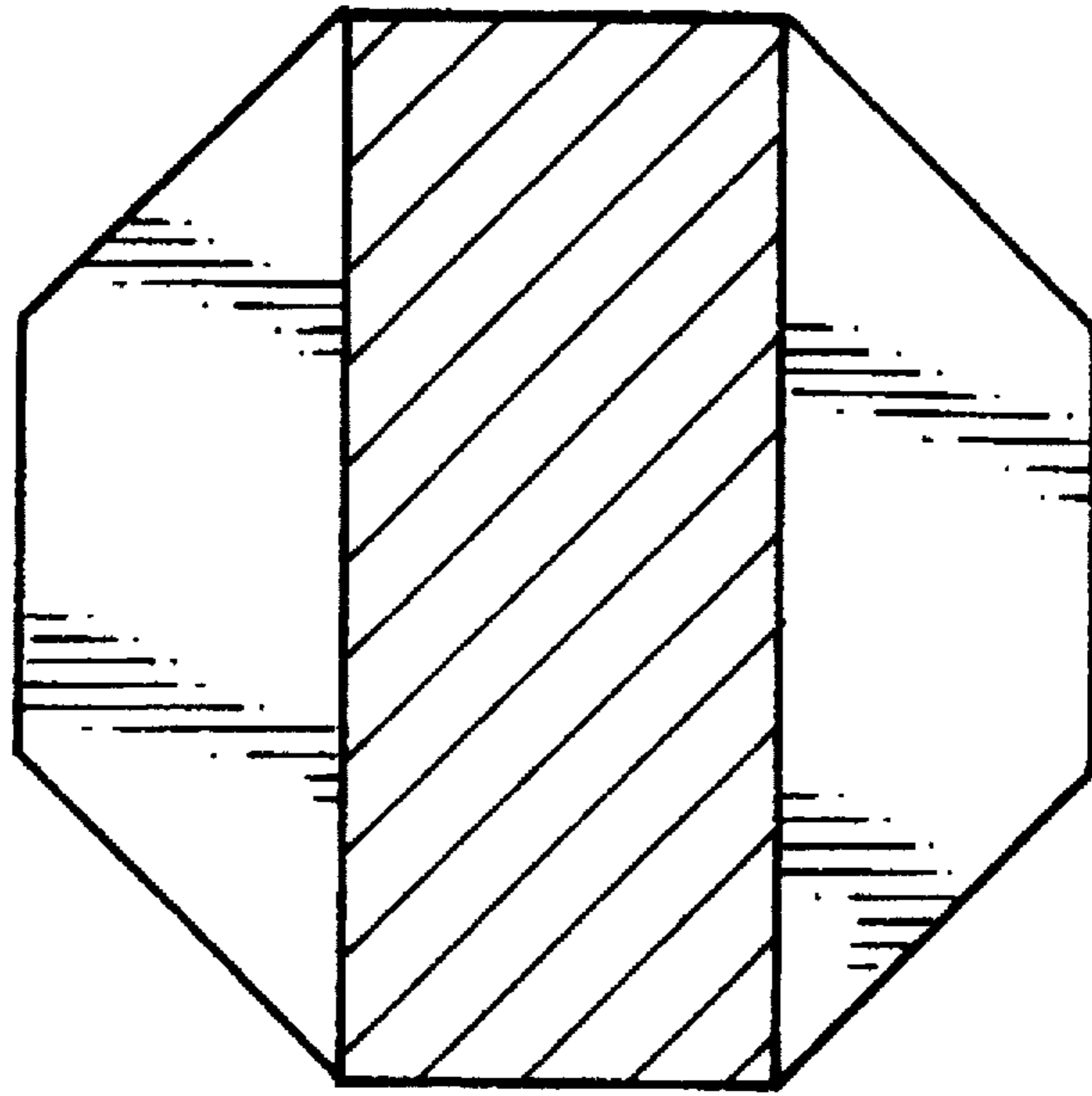


FIG. 2



*FIG. 3*