



US00D392491S

United States Patent [19]
Tidwell

[11] **Patent Number: Des. 392,491**
[45] **Date of Patent: **Mar. 24, 1998**

[54] **LIQUID FILLED PILLOW**
[76] **Inventor: Mike Tidwell, 672 W. 1000 S., Woods Cross, Utah 84087**
[**] **Term: 14 Years**
[21] **Appl. No.: 36,678**
[22] **Filed: Mar. 24, 1995**
[51] **LOC (6) Cl. 06-09**
[52] **U.S. Cl. D6/601; D6/604**
[58] **Field of Search D6/595, 596, 601, D6/604; 5/630, 652, 632, 449; 441/129; 383/4; D21/237**

4,980,939 1/1991 Smith 383/4
5,249,318 10/1993 Loadsman 5/630

FOREIGN PATENT DOCUMENTS

1106558 3/1968 United Kingdom 441/129

Primary Examiner—Lisa Lichtenstein
Attorney, Agent, or Firm—Harold H. Dutton, Jr.

[57] **CLAIM**

The ornamental design for a liquid filled pillow, as shown and described.

DESCRIPTION

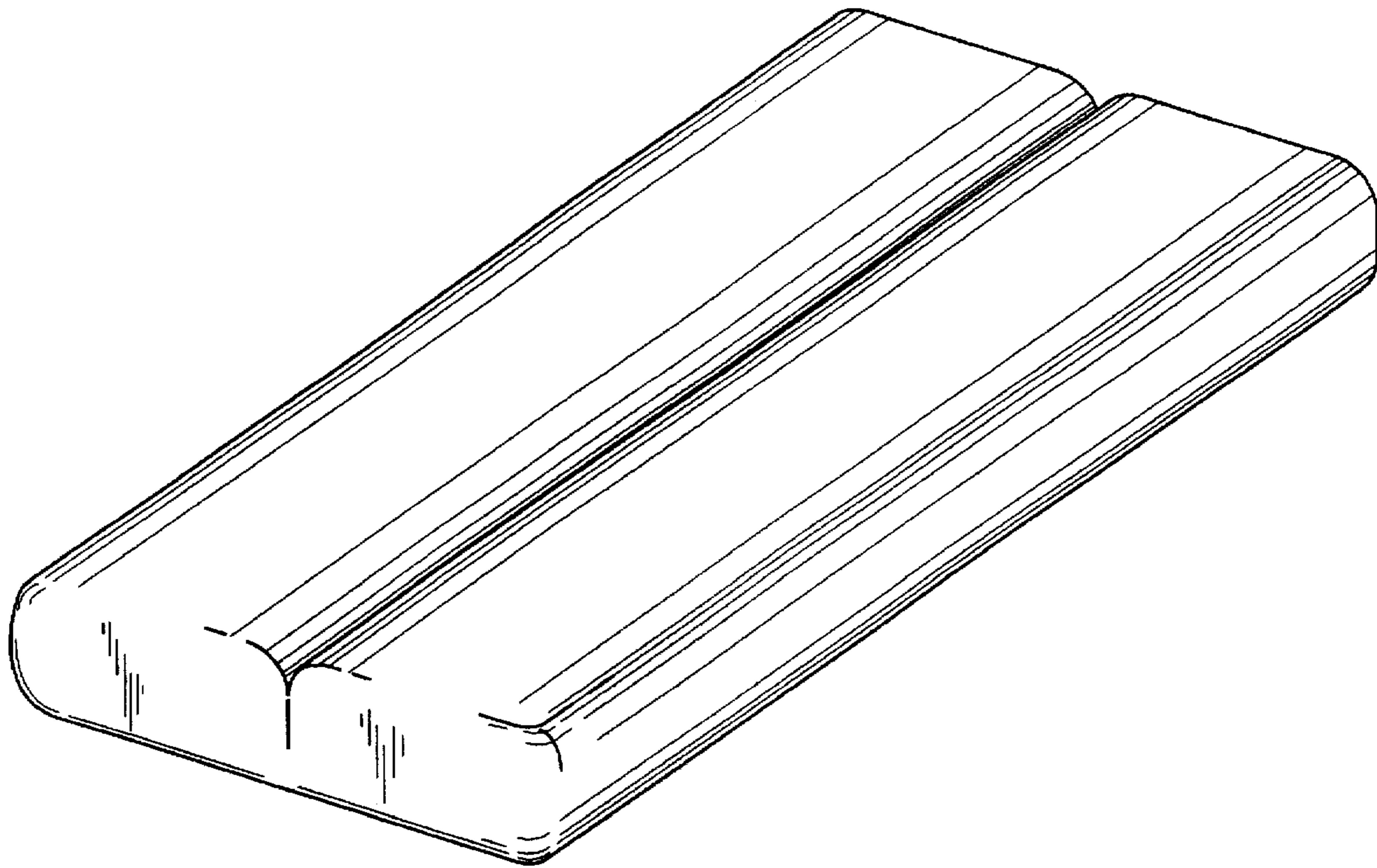
FIG. 1 is a perspective view of a liquid filled pillow showing my new design;
FIG. 2 is a front view thereof;
FIG. 3 is a left side view thereof; and,
FIG. 4 is a bottom view thereof.
The sides opposite to those seen in FIGS. 2 and 3 are mirror images thereof.

1 Claim, 2 Drawing Sheets

[56] **References Cited**

U.S. PATENT DOCUMENTS

4,330,892 5/1982 Fukushima 5/636
4,745,645 5/1988 McWilliams 5/660
4,885,811 12/1989 Hayes 5/652
4,899,406 2/1990 Sanderson et al. 5/449



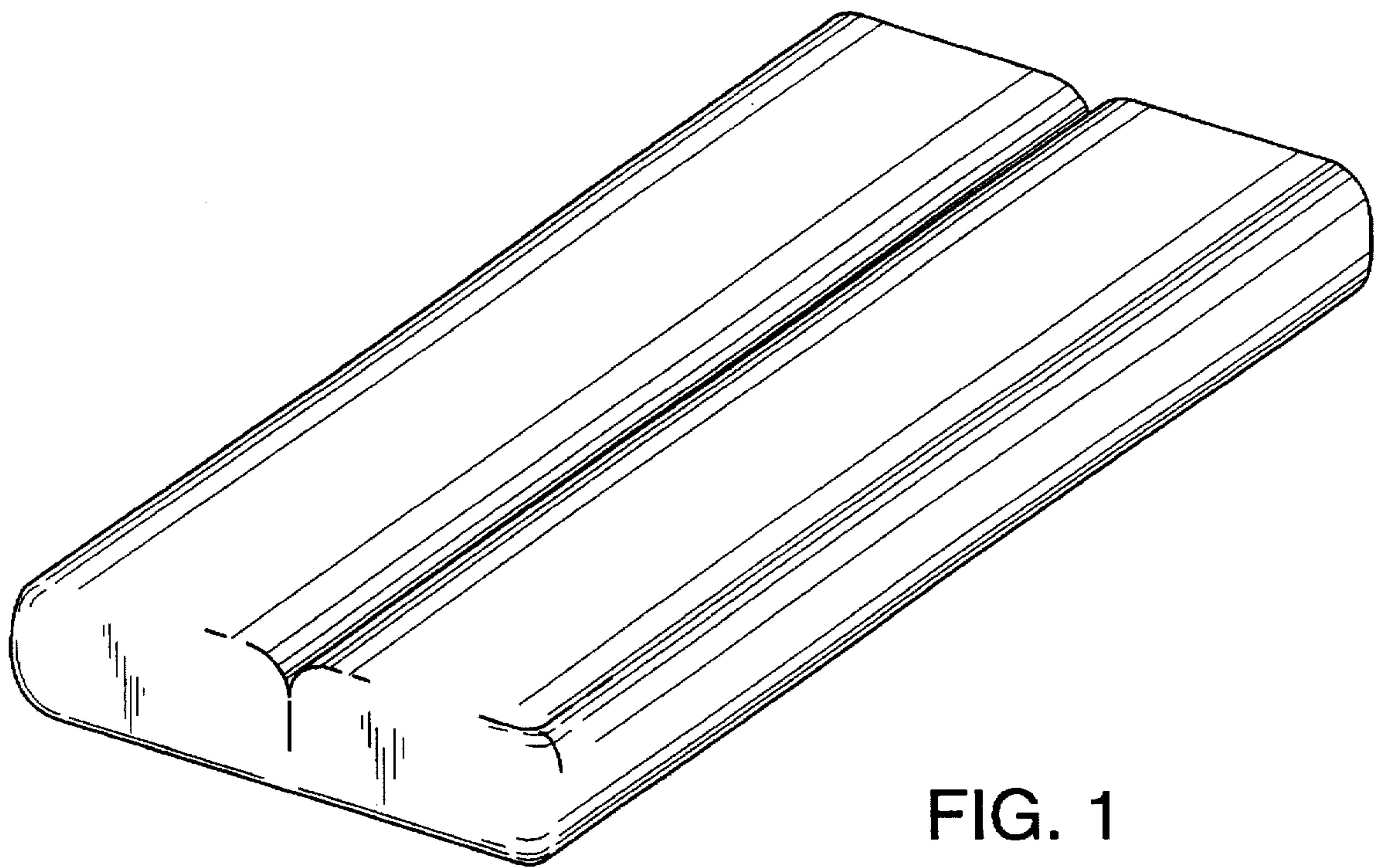


FIG. 1

FIG. 2

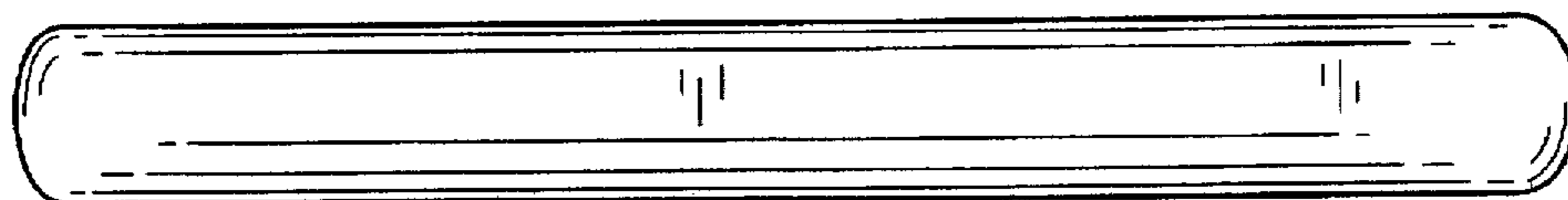


FIG. 3



FIG. 4

