



US00D392489S

United States Patent [19]

Ernst

[11] Patent Number: Des. 392,489

[45] Date of Patent: **Mar. 24, 1998

[54] SCREWDRIVER RACK

[76] Inventor: **Gregory R. Ernst**, 15735 S. E. Bartell Rd., Boring, Oreg. 97009

[**] Term: **14 Years**

[21] Appl. No.: **71,951**

[22] Filed: **Jun. 9, 1997**

[51] LOC (6) Cl. **06-04**

[52] U.S. Cl. **D6/571; D6/553; D25/131**

[58] Field of Search **D6/553, 554, 567, D6/569, 570, 571, 572, 574; D8/71, 373, 381; D25/120-131; D15/140; 206/349, 376, 378; 211/60.1, 70.6, 74, 69, 70.7, 86-89, 126, 134; 248/309.1**

[56] References Cited

U.S. PATENT DOCUMENTS

D. 170,798	11/1953	Dundon et al.	211/70.6 X
D. 171,222	12/1953	Odlum	D6/574
D. 180,106	4/1957	Seifert	211/70.6 X
D. 213,112	1/1969	Neidhardt	D25/131
D. 241,391	9/1976	Weisenfeld	D6/552
D. 241,392	9/1976	Taylor	D6/574 X
D. 256,253	8/1980	Suljic	D6/574 X
D. 272,388	1/1984	Wilkinson	D6/574
D. 312,017	11/1990	Gould	D6/553
D. 327,197	6/1992	Belokin, Jr. et al.	D6/574 X
D. 340,606	10/1993	Hubbard	D6/567
D. 349,003	7/1994	Horton et al.	D6/574

D. 356,462	3/1995	Ko	D6/570
676,573	6/1901	Bowers .	
1,830,577	11/1931	Vallone	206/376
3,077,977	2/1963	Wood	211/70.6
3,370,696	2/1968	Groe	206/376
3,702,136	11/1972	Albertson	206/376
3,837,477	9/1974	Boudreau	206/376
4,586,615	5/1986	Quitman	211/70
4,905,949	3/1990	Cosgrove	211/74 X
5,320,223	6/1994	Allen	206/372

FOREIGN PATENT DOCUMENTS

WO81/00352 2/1981 WIPO A47F 5/08

Primary Examiner—Pamela J. Burgess
Attorney, Agent, or Firm—James D. Givnan, Jr.

[57] CLAIM

The ornamental design for a screwdriver rack, as shown and described.

DESCRIPTION

FIG. 1 is a perspective view of a screwdriver rack showing my new design;
FIG. 2 is a rear elevational view thereof;
FIG. 3 is a plan view thereof;
FIG. 4 is a side elevational view from the left hand side of FIG. 3;
FIG. 5 is a side elevational view from the right hand side of FIG. 3; and
FIG. 6 is a front elevational view thereof.

1 Claim, 1 Drawing Sheet

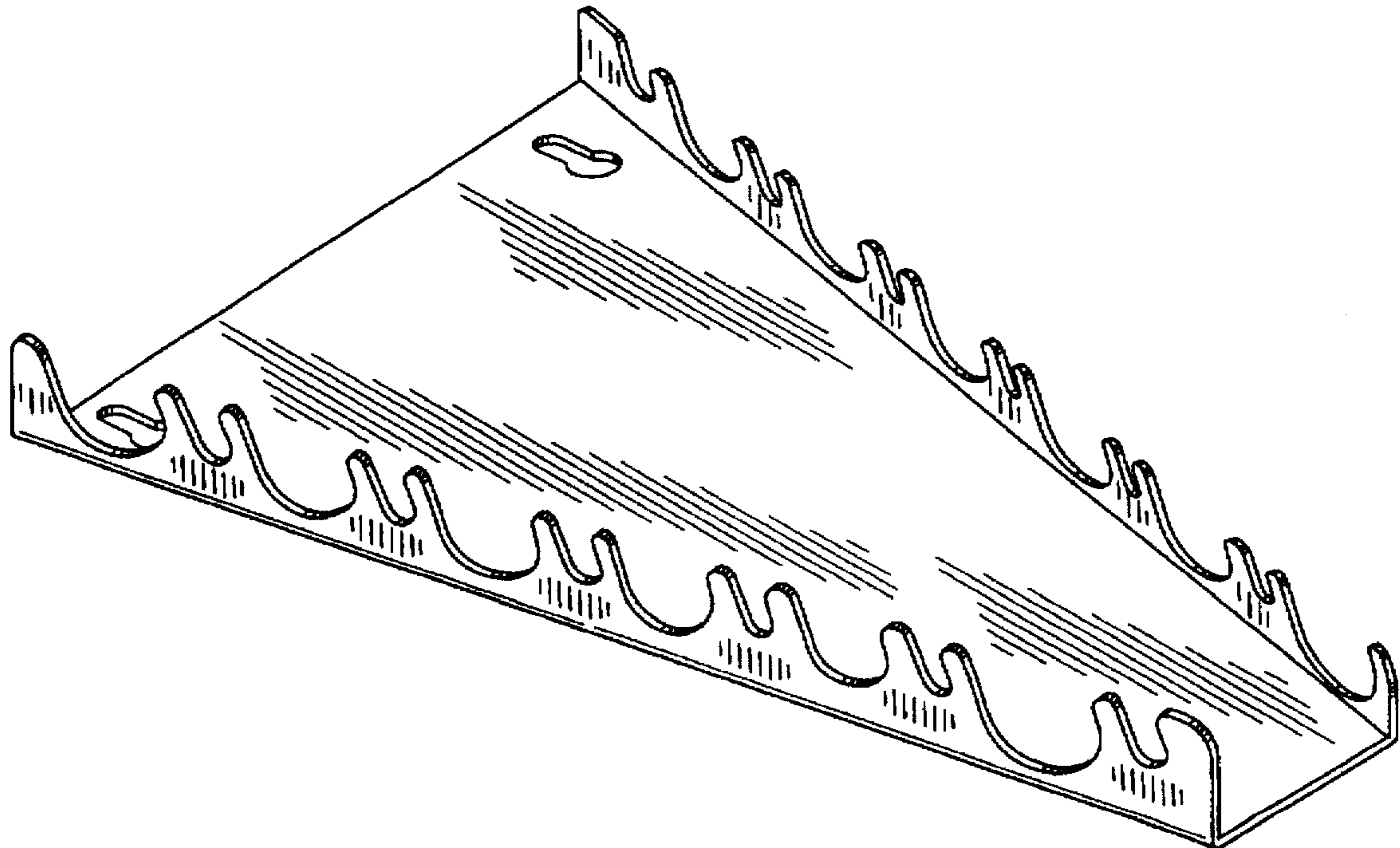


FIG. 1

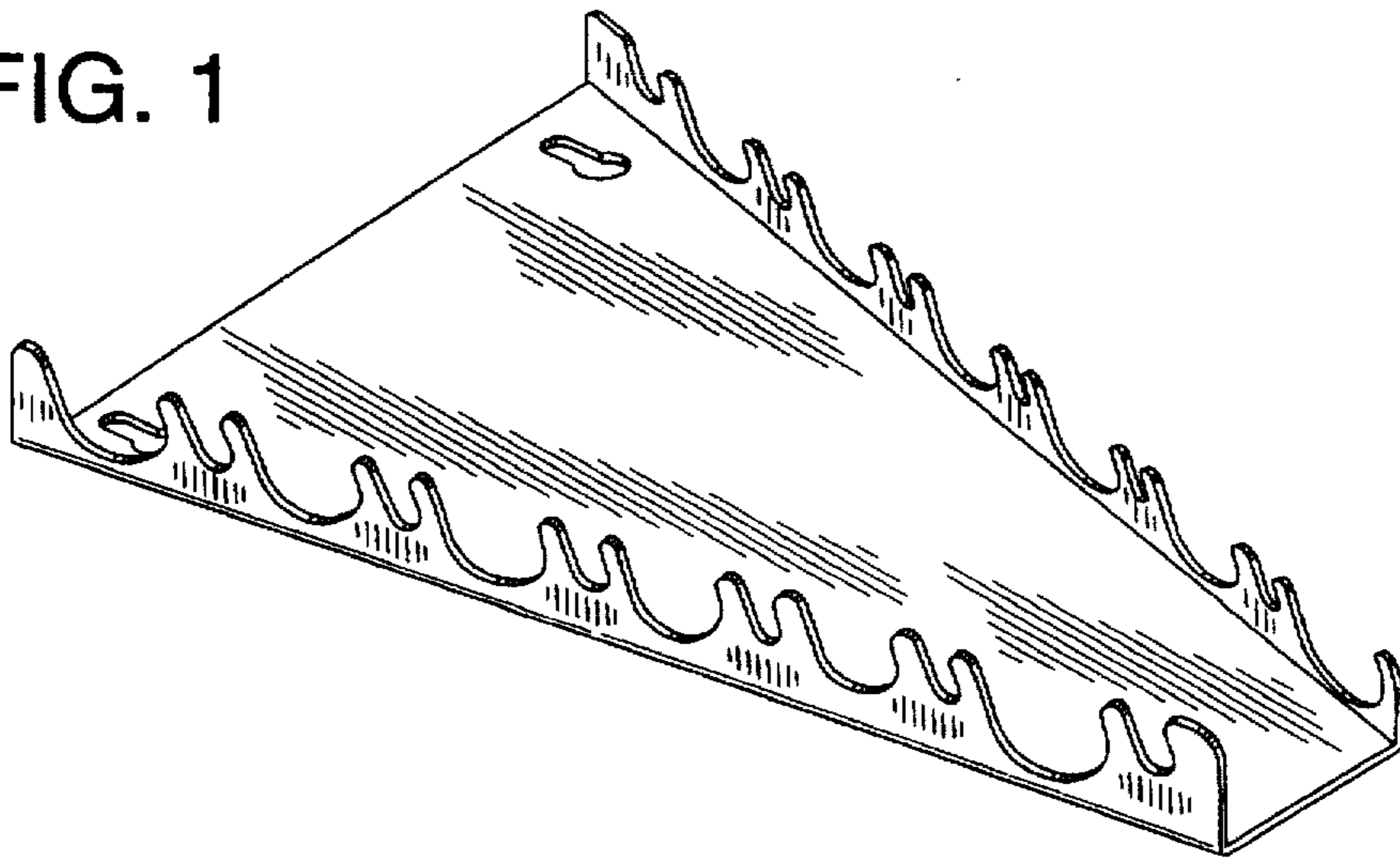


FIG. 2



FIG. 4

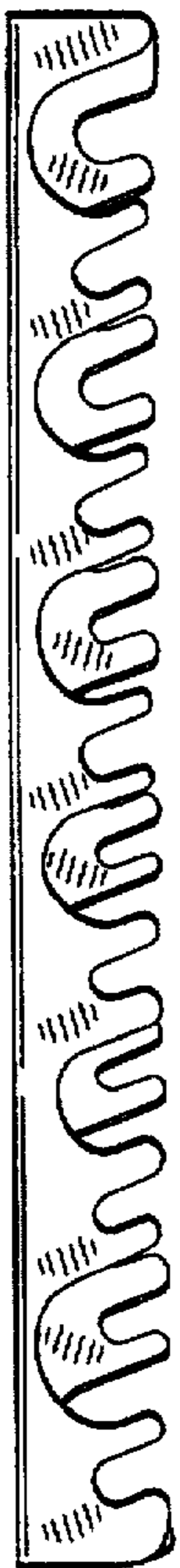


FIG. 3

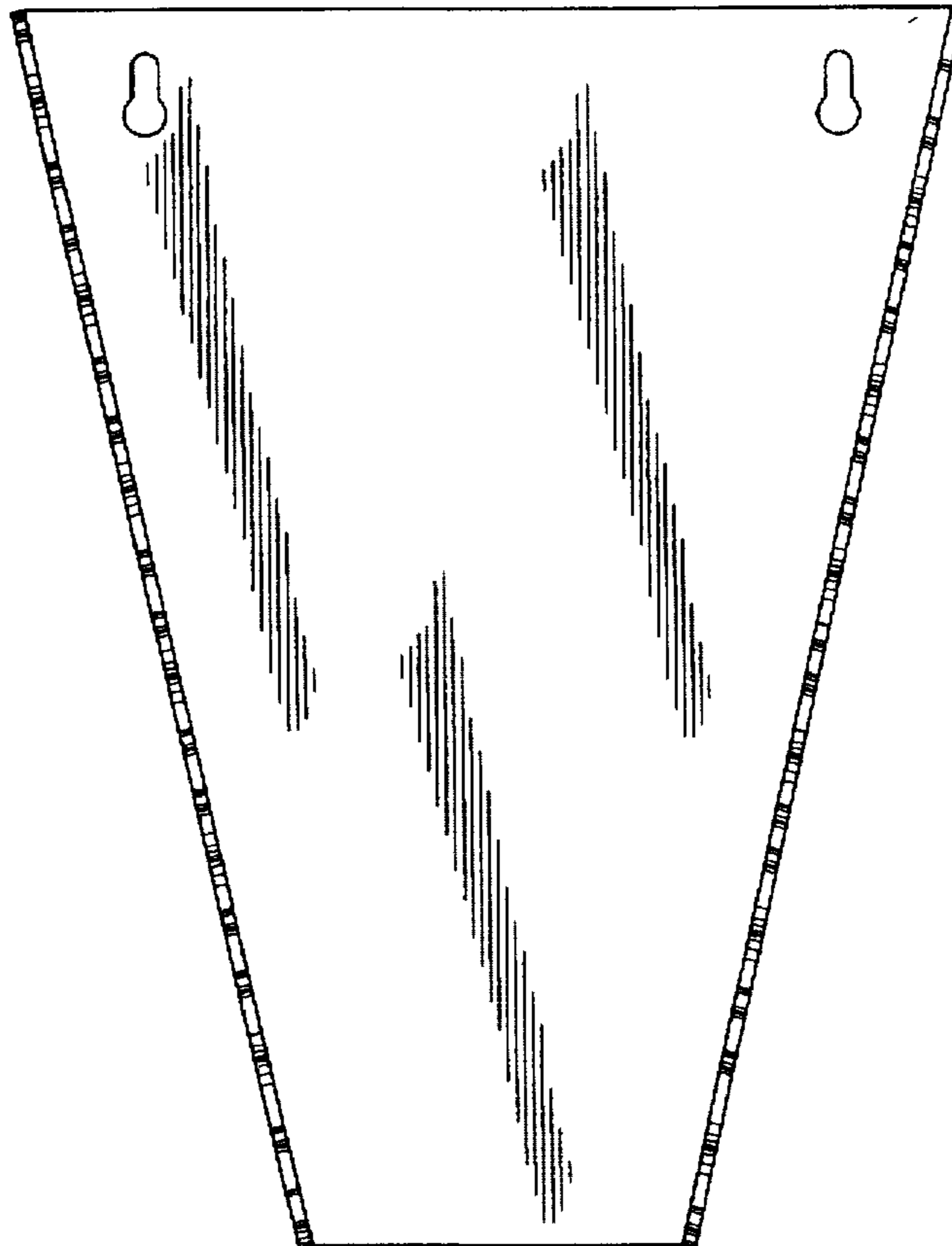


FIG. 5



FIG. 6

