



US00D392488S

United States Patent [19]

Emery et al.

[11] Patent Number: Des. 392,488

[45] Date of Patent: **Mar. 24, 1998

[54] TOWEL RACK ADAPTOR SHELF

[75] Inventors: **William W. Emery**, Berkeley Heights;
Russell A. Fritts, Warren, both of N.J.

[73] Assignee: **Better Sleep Mfg. Co.**, Berkeley Heights, N.J.

[**] Term: 14 Years

[21] Appl. No.: 74,458

[22] Filed: Jul. 31, 1997

[51] LOC (6) CL 06-04

[52] U.S. Cl. D6/566; D6/546

[58] Field of Search D6/566, 567, 570,
D6/574, 552, 546; 211/13.1, 17-19, 134,
181-182, 86-87, 106; 248/251, 302, 317

D. 327,458 6/1992 Martinell D6/566 X
 D. 341,283 11/1993 Rosenthal et al. D6/566
 D. 369,933 5/1996 Tiemann D6/566
 4,895,334 1/1990 Bajek et al. 248/302
 5,373,951 12/1994 Arnold 211/106

Primary Examiner—Pamela J. Burgess
 Attorney, Agent, or Firm—Hopgood, Calimafde, Kalil & Judlowe, LLP

[57] CLAIM

The ornamental design for a towel rack adaptor shelf, as shown and described.

DESCRIPTION

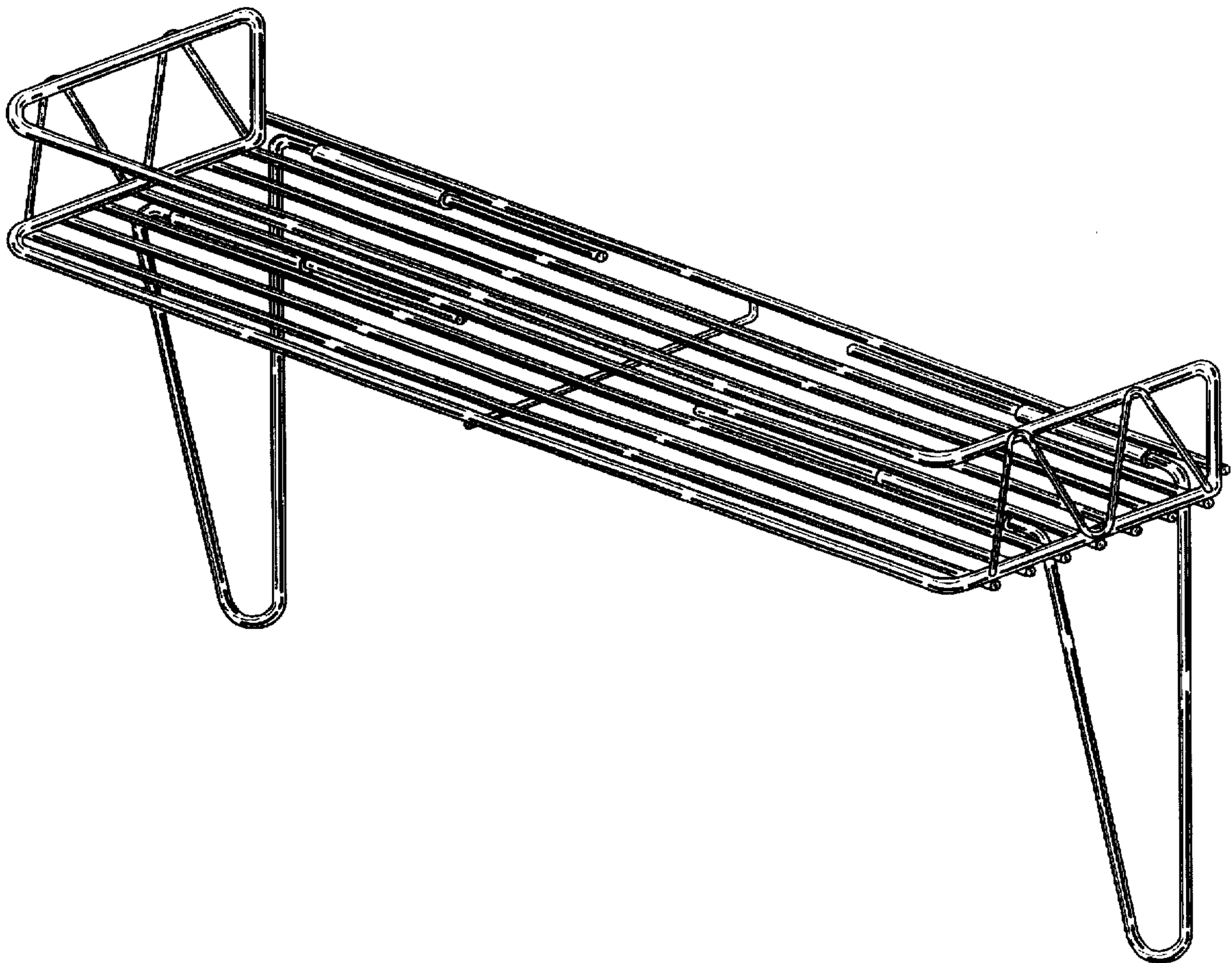
FIG. 1 is a top perspective view of a towel rack adaptor shelf showing my new design;
 FIG. 2 is a front elevational view of the shelf;
 FIG. 3 is a rear elevational view of the shelf;
 FIG. 4 is a right side elevational view thereof, the undisclosed left side being a mirror image;
 FIG. 5 is a top plan view of the shelf; and,
 FIG. 6 is a bottom plan view thereof.

1 Claim, 6 Drawing Sheets

[56] References Cited

U.S. PATENT DOCUMENTS

D. 303,470 9/1989 Razumov D6/566 X
 D. 314,487 2/1991 Bajek et al. D6/566



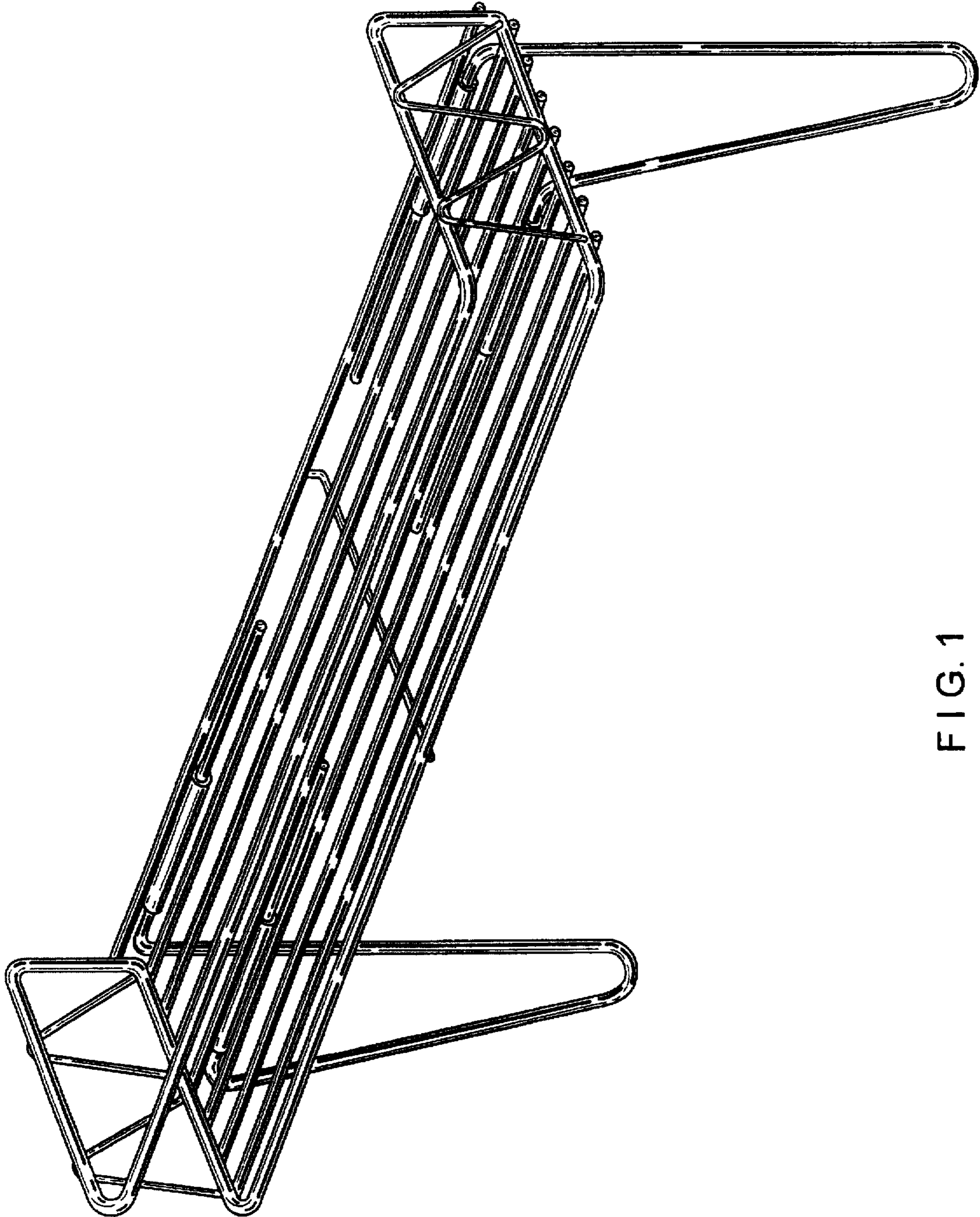


FIG. 1

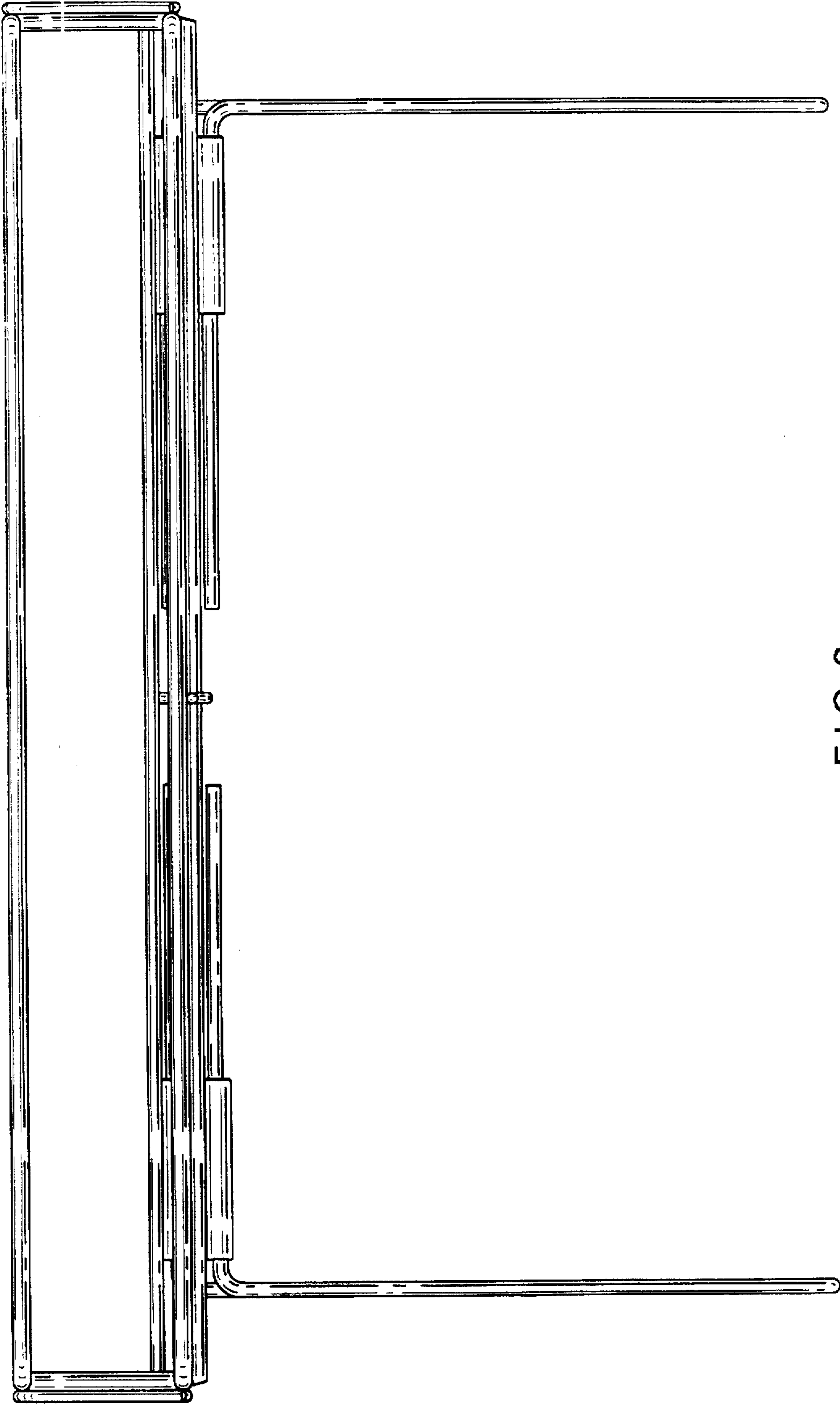


FIG. 2

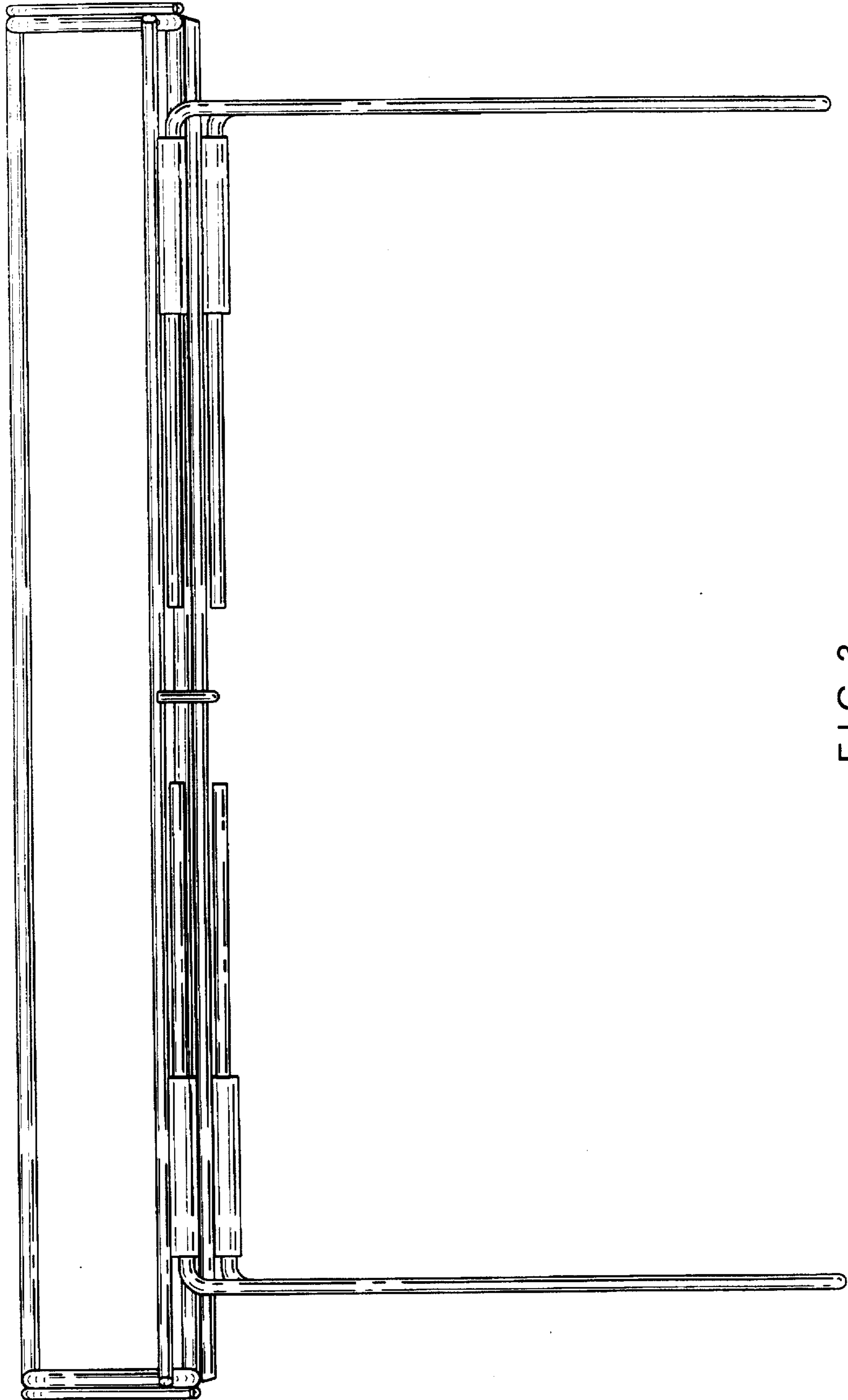


FIG. 3

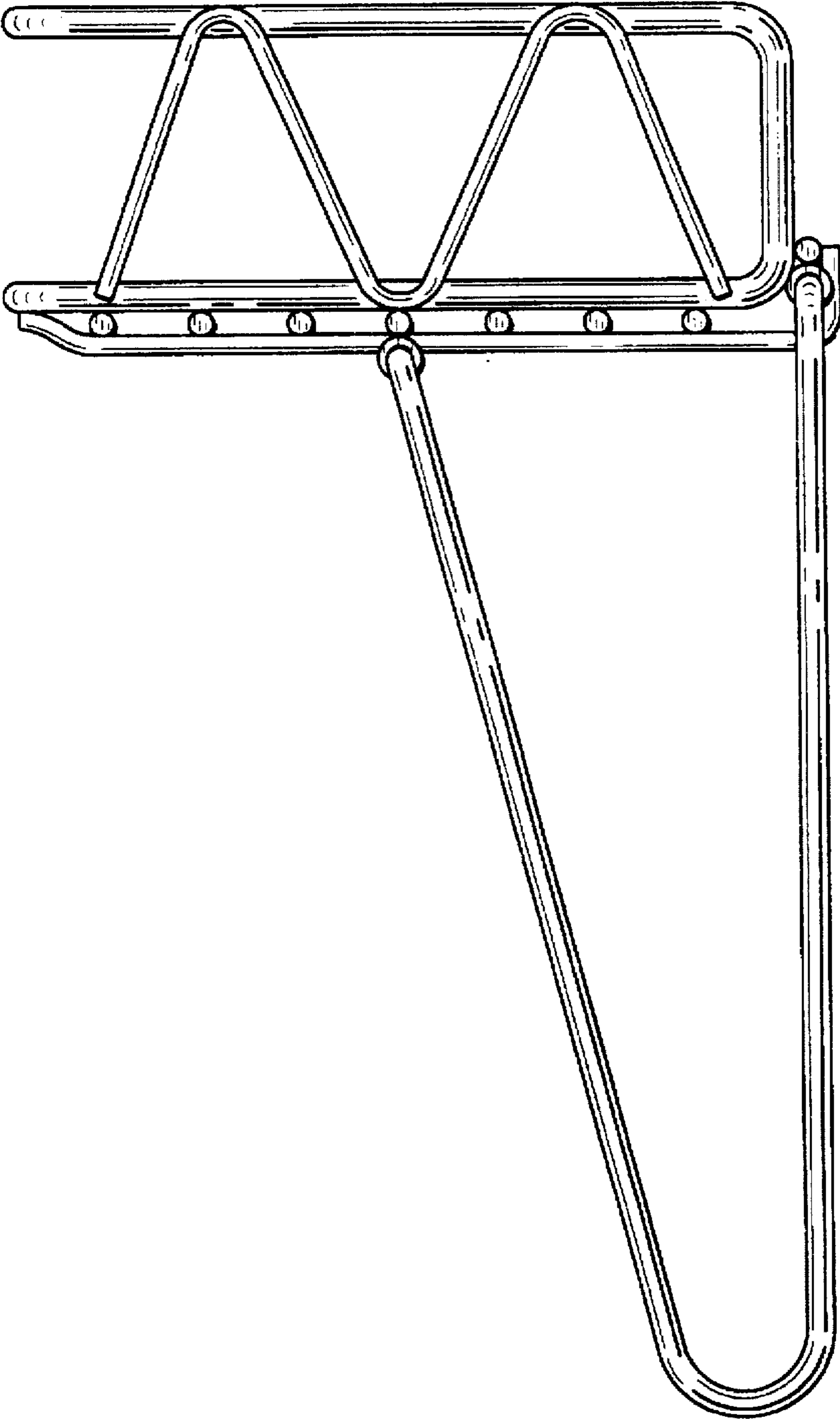


FIG. 4

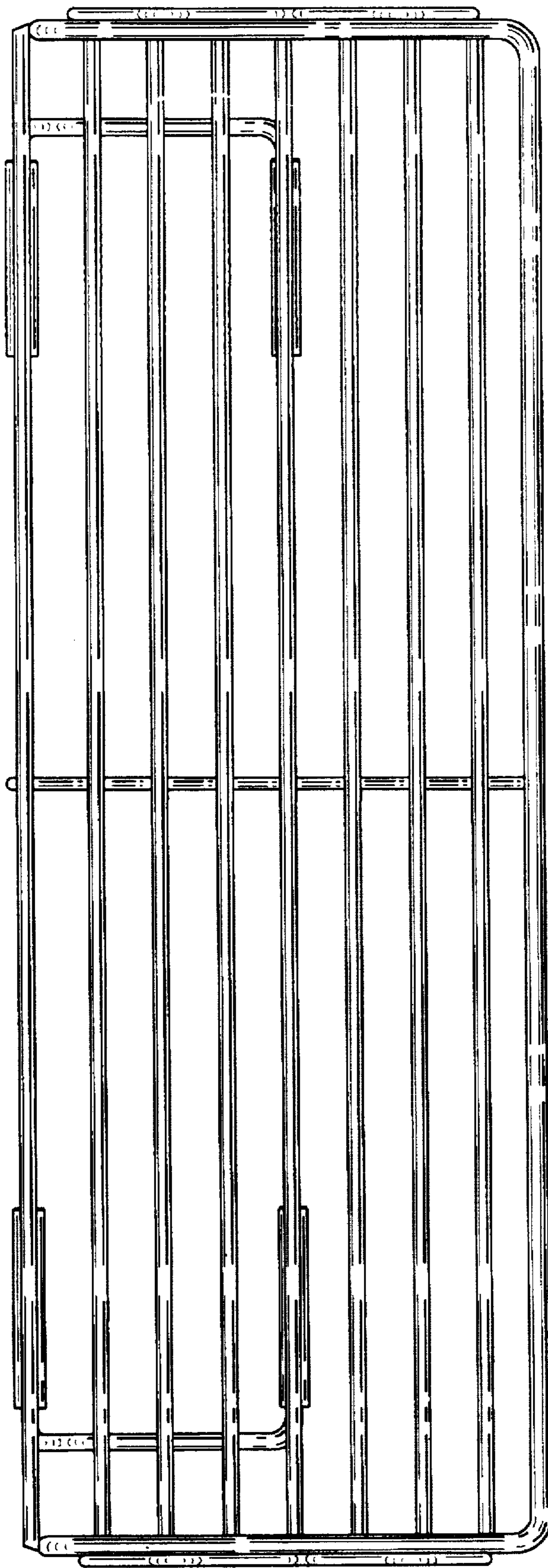


FIG. 5

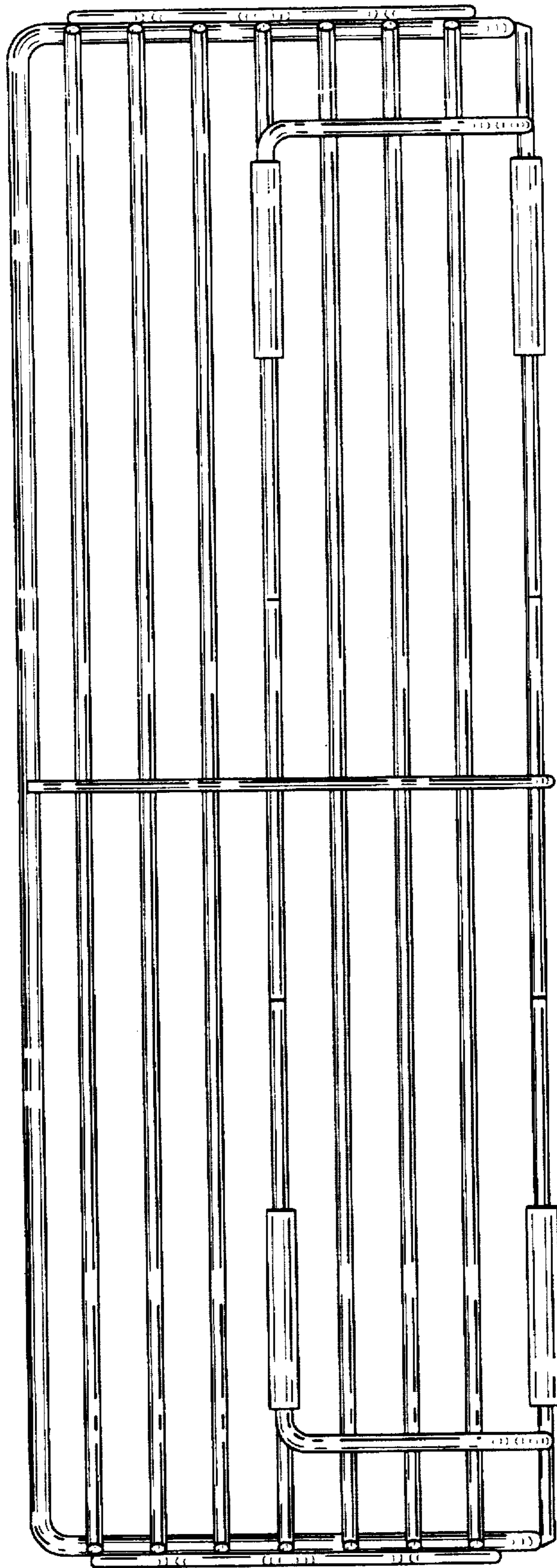


FIG. 6