



US00D392487S

# United States Patent [19] Cambron

[11] Patent Number: Des. 392,487

[45] Date of Patent: \*\*Mar. 24, 1998

[54] BUCKET HOLDER

[76] Inventor: Frankie Cambron, 30 Samuels Rd.,  
Cox's Creek, Ky. 40013

[\*\*] Term: 14 Years

[21] Appl. No.: 59,151

[22] Filed: Sep. 4, 1996

[51] LOC (6) Cl. .... 08-08

[52] U.S. Cl. .... D6/566

[58] Field of Search ..... D6/546, 566, 567,  
D6/512-514; 16/108, 110.5; 211/13.1, 30,  
69.5, 71, 74, 86-88, 96, 110, 181.1, 182;  
248/175, 176.1, 302, 309.1, 311.2, 312,  
314

[56] **References Cited**

**U.S. PATENT DOCUMENTS**

D. 242,314	11/1976	Arnett	.....	D6/566
D. 251,579	4/1979	Calgaro	.....	D6/566
D. 252,439	7/1979	Smith	.....	D6/566 X
D. 259,967	7/1981	Ramsey	.....	D6/566 X
D. 271,831	12/1983	McGain	.....	D6/566
1,079,192	11/1913	Sowden	.	
1,157,333	10/1915	Snell	.	
2,092,456	9/1937	Hunker	.....	224/45
2,518,900	8/1950	Kendall	.....	211/32
2,903,225	9/1959	Weinstein	.....	248/311
2,990,066	6/1961	Arnett	.....	211/106

3,117,673	1/1964	Hatfield et al.	.....	211/99
3,589,658	6/1971	Kopfman	.....	248/146
4,133,509	1/1979	Kalbow et al.	.....	248/313
5,139,222	8/1992	Koorey et al.	.....	248/311.2

Primary Examiner—Brian N. Vinson  
Attorney, Agent, or Firm—Middleton & Reutlinger; James  
C. Eaves, Jr.

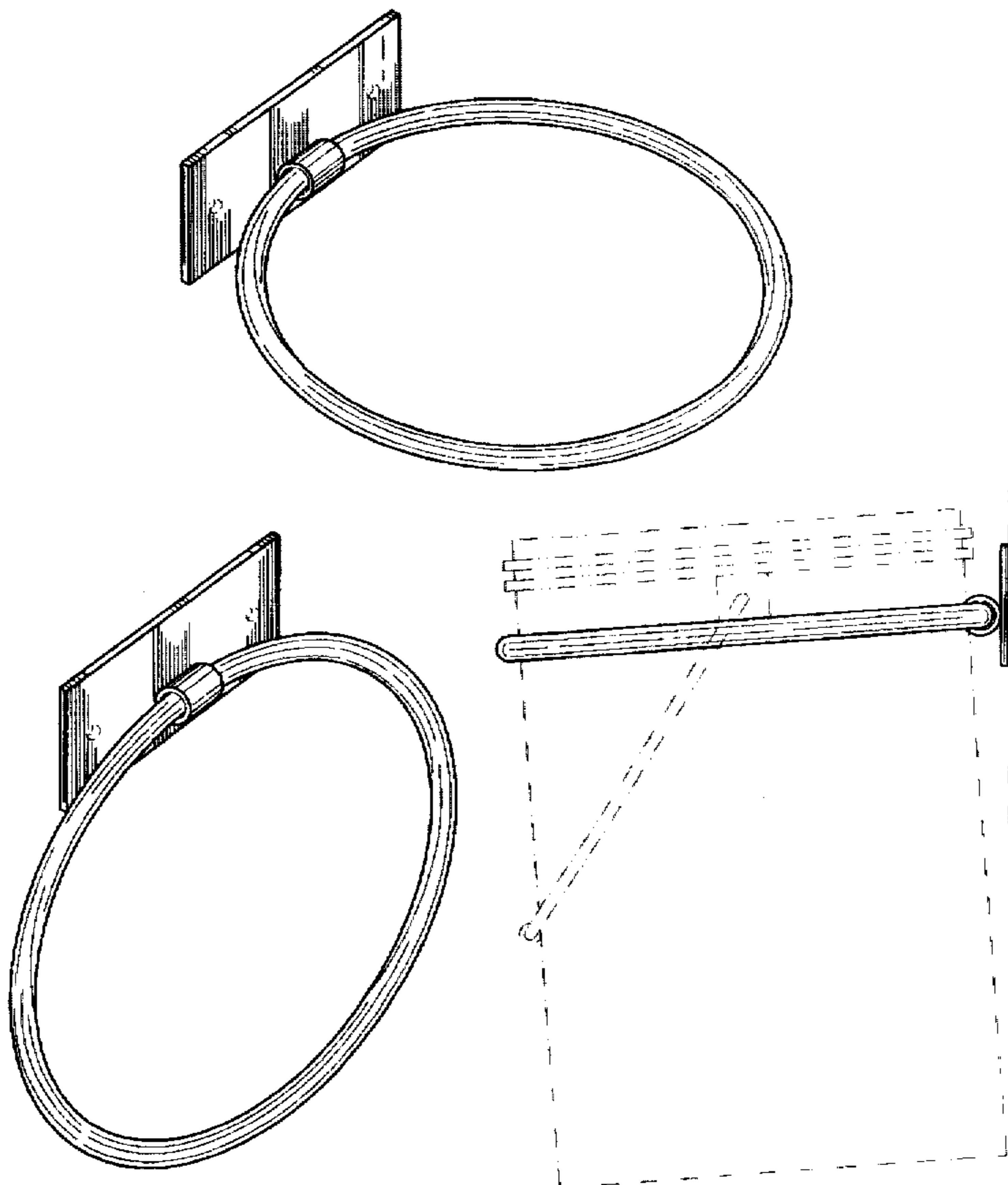
[57] **CLAIM**

The ornamental design for a bucket holder, as shown and described.

**DESCRIPTION**

FIG. 1 is a front top side elevational perspective view of my bucket holder made in accordance with the present invention, the bucket holder hoop positioned to receive a bucket; FIG. 2 is a back view of the bucket holder of FIG. 1; FIG. 3 is a top view of the bucket holder of FIG. 1; FIG. 4 is a right side view of the bucket holder of FIG. 1; FIG. 5 is a front view of the bucket holder of FIG. 1; FIG. 6 is a front top side elevational perspective view of my bucket holder made in accordance with the present invention, the bucket holder hoop not positioned to receive a bucket; and, FIG. 7 is a right side view of the bucket holder of FIG. 1, with the broken-line disclosure of a bucket being for illustrative purposes only and forming no part of the claimed design.

1 Claim, 2 Drawing Sheets



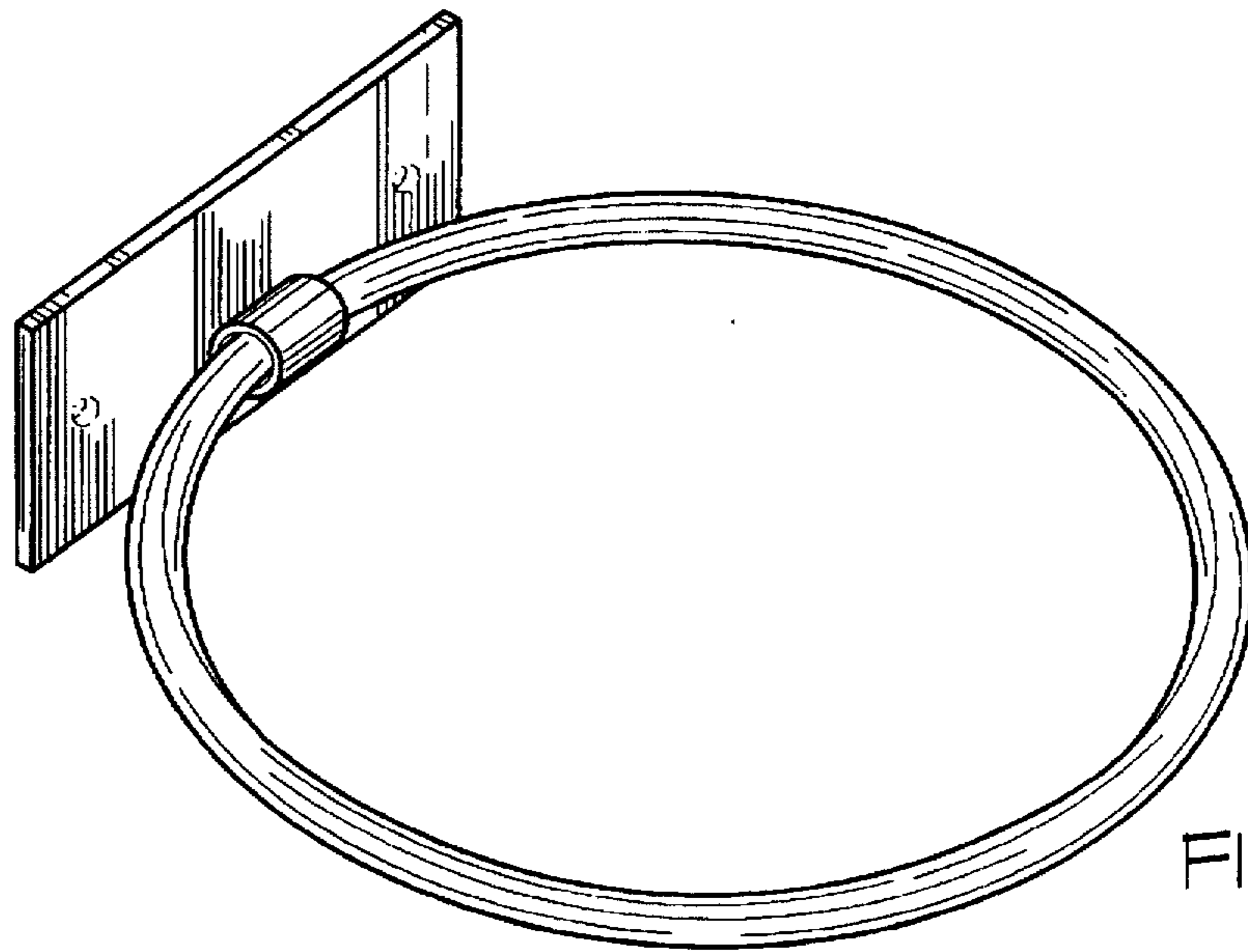


FIG. 1

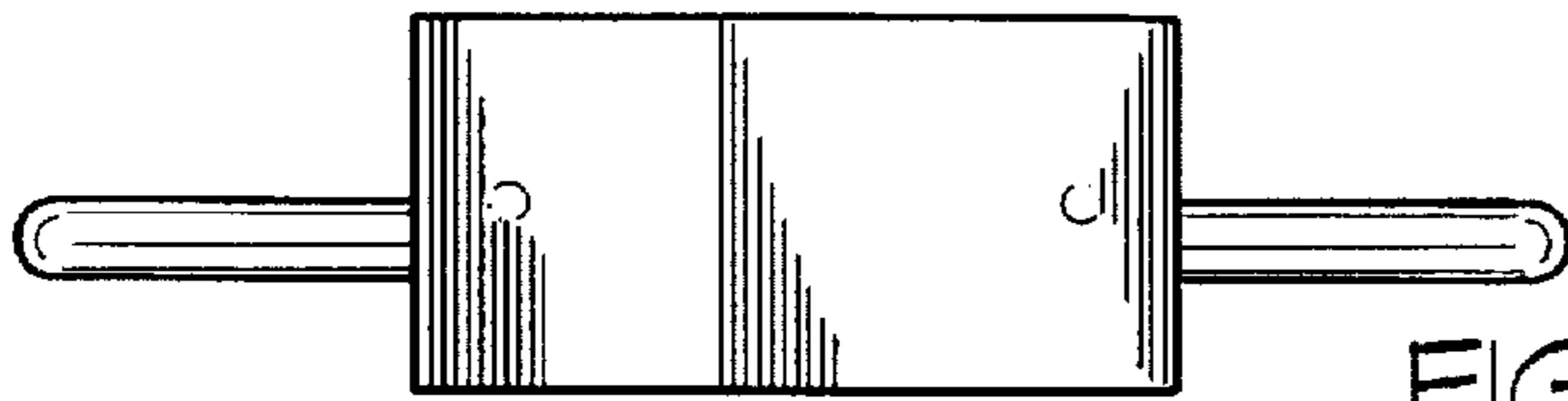


FIG. 2

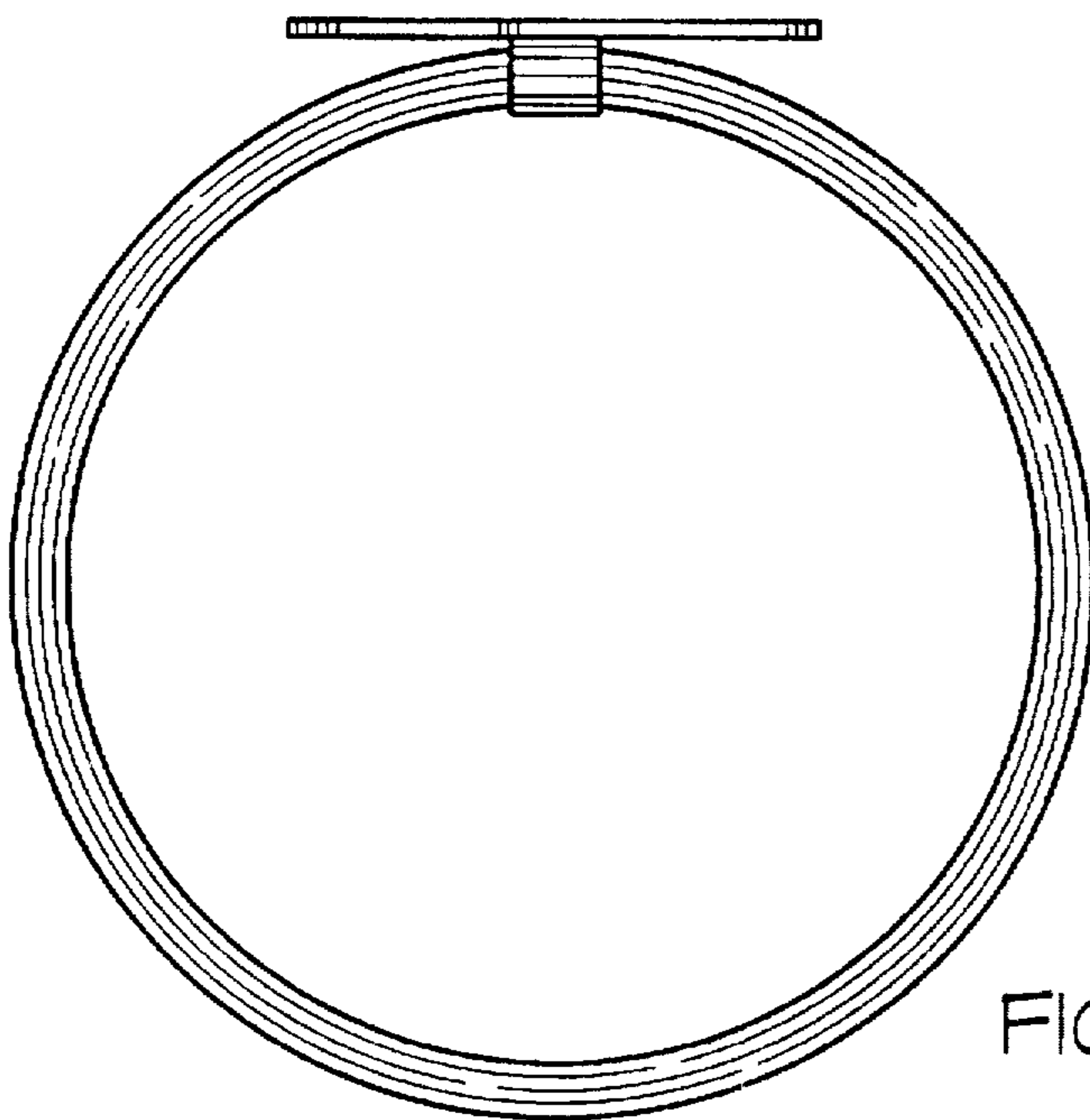


FIG. 3

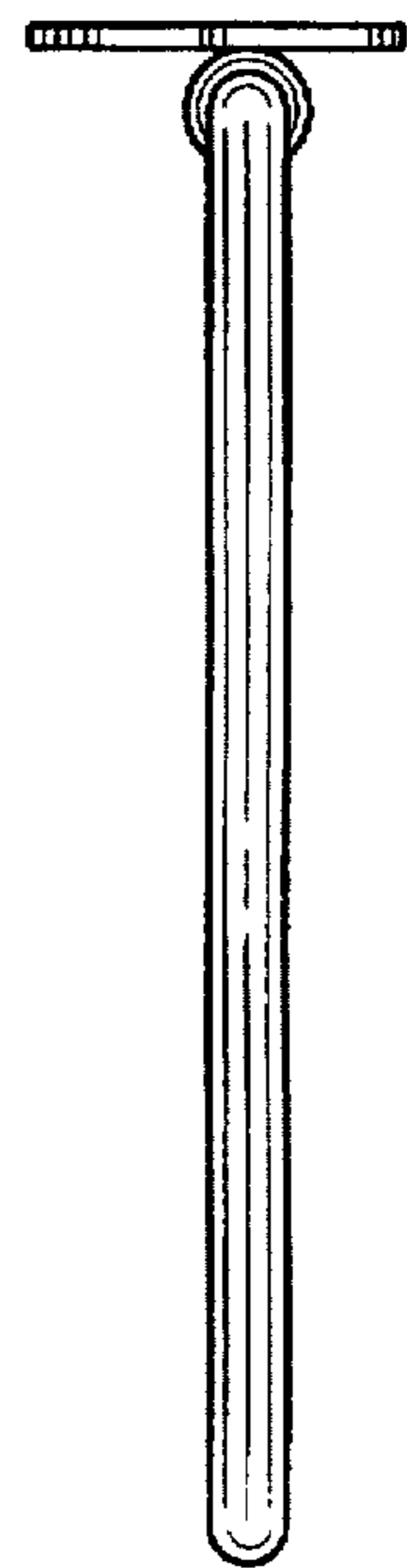


FIG. 4

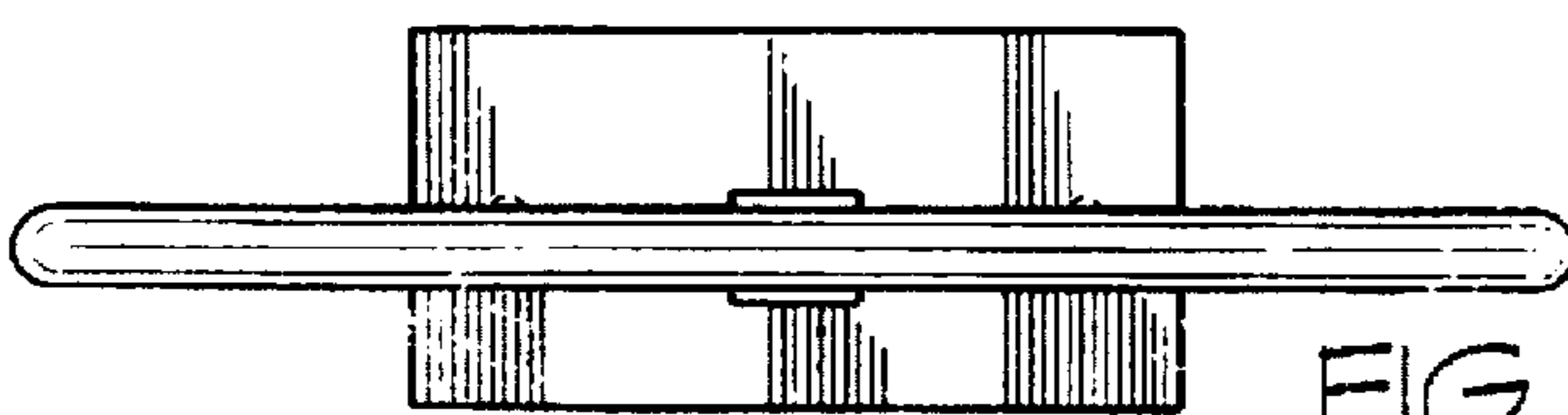


FIG. 5

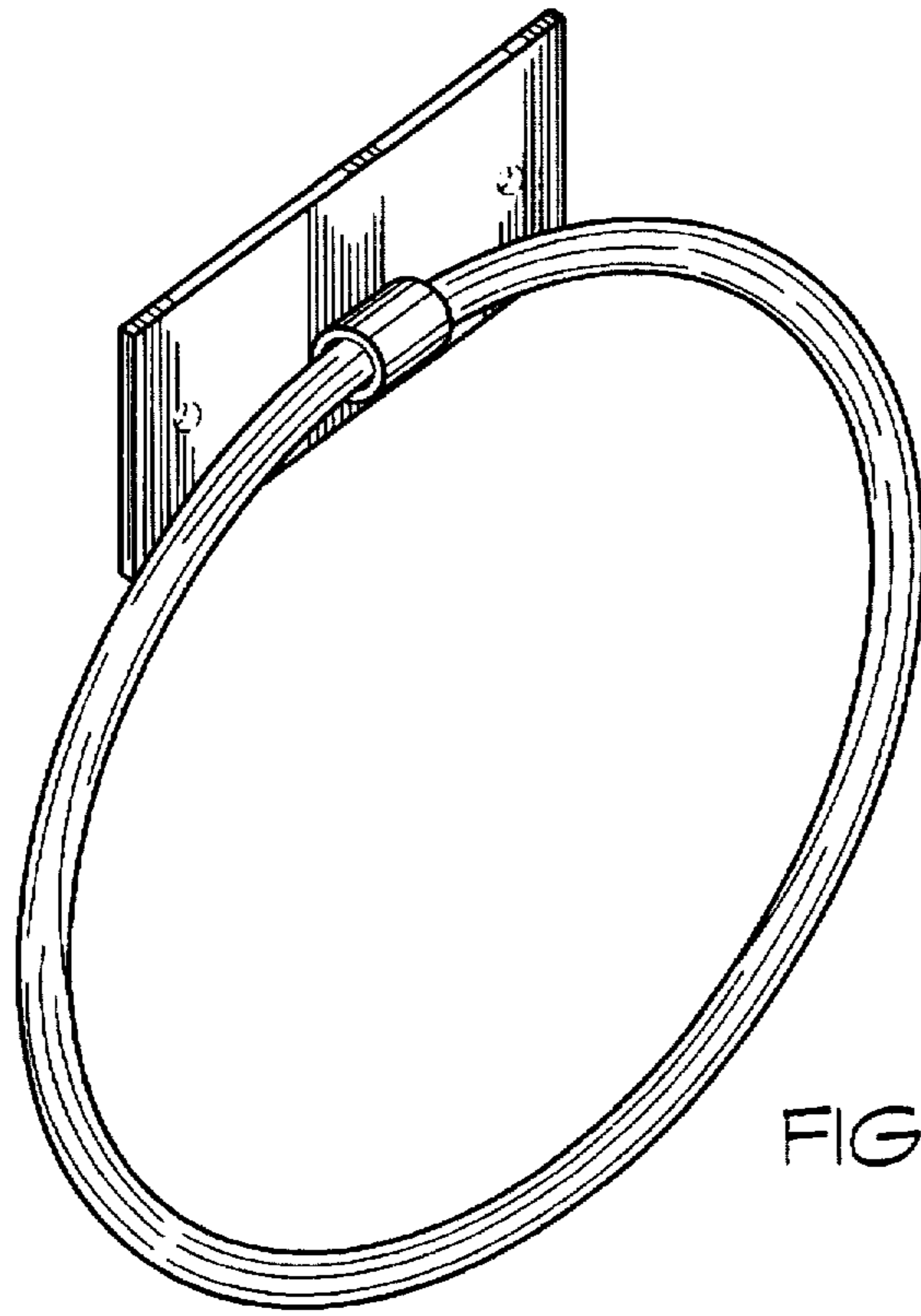


FIG. 6

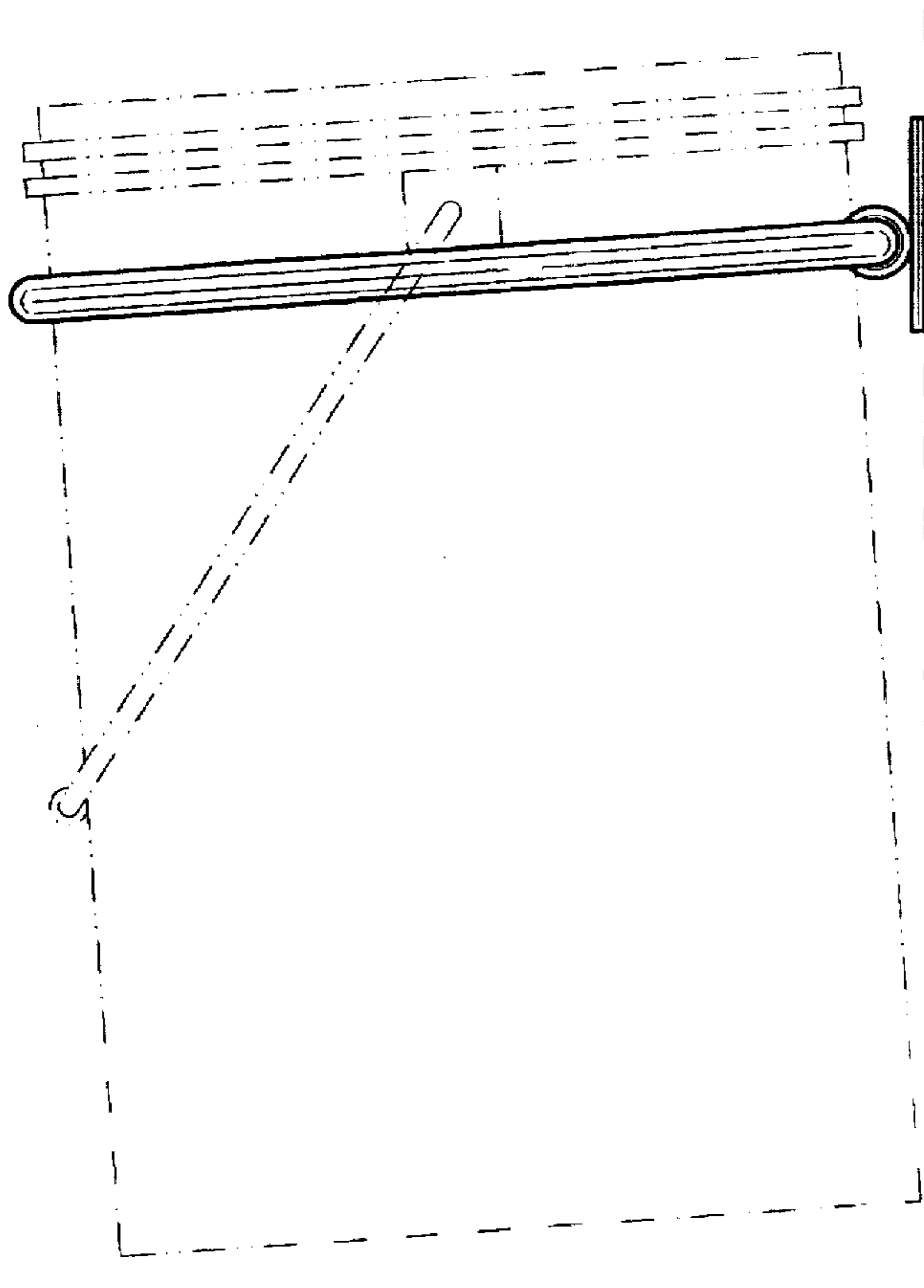


FIG. 7