



US00D392486S

**United States Patent** [19]  
**Hsia**

[11] **Patent Number:** **Des. 392,486**  
[45] **Date of Patent:** **\*\*Mar. 24, 1998**

[54] **GOLF ACCESSORY ORGANIZER**

[76] **Inventor:** **Ben M. Hsia, 27756 Avenue Mentry,  
Santa Clarita, Calif. 91355**

[\*\*] **Term:** **14 Years**

[21] **Appl. No.:** **75,407**

[22] **Filed:** **Aug. 20, 1997**

[52] **U.S. Cl.** ..... **D6/552**

[58] **Field of Search** ..... **D6/552, 567; D21/223;  
211/13, 60.1, 68, 70.2, 70.5, 90**

[56] **References Cited**

**U.S. PATENT DOCUMENTS**

D. 317,231	6/1991	Montgomery	.....	D6/552
D. 364,063	11/1995	Lo	.....	D6/552
D. 378,331	3/1997	Allendorph	.....	D6/552
D. 380,637	7/1997	Funk	.....	D6/552
D. 381,541	7/1997	Allendorph	.....	D6/552
D. 382,158	8/1997	Allendorph	.....	D6/552
4,045,103	8/1977	Paolino	.....	211/71 X

*Primary Examiner*—Brian N. Vinson  
*Attorney, Agent, or Firm*—David & Raymond; Raymond Y. Chan

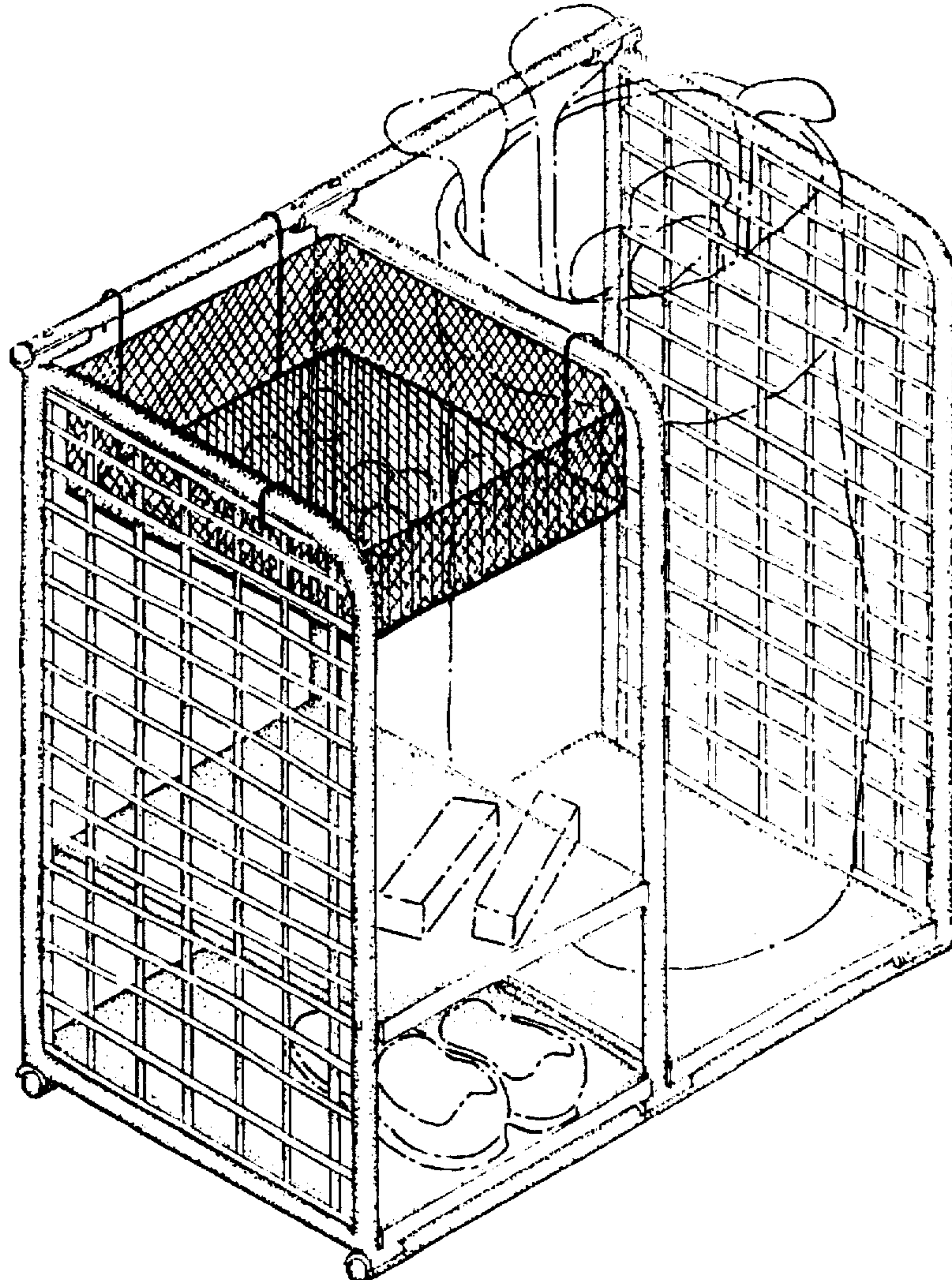
[57] **CLAIM**

The ornamental design for a golf accessory organizer, as shown and described.

**DESCRIPTION**

FIG. 1 is a perspective view showing my new design;  
FIG. 2 is a front view thereof;  
FIG. 3 is a left end view thereof;  
FIG. 4 is a right end view thereof;  
FIG. 5 is a top view thereof;  
FIG. 6 is a bottom view thereof;  
FIG. 7 is a rear view thereof; and,  
FIG. 8 is a perspective view thereof; the broken-line disclosure of various articles of golf equipment being for illustrative purposes only and forming no part of the claimed design.

**1 Claim, 8 Drawing Sheets**



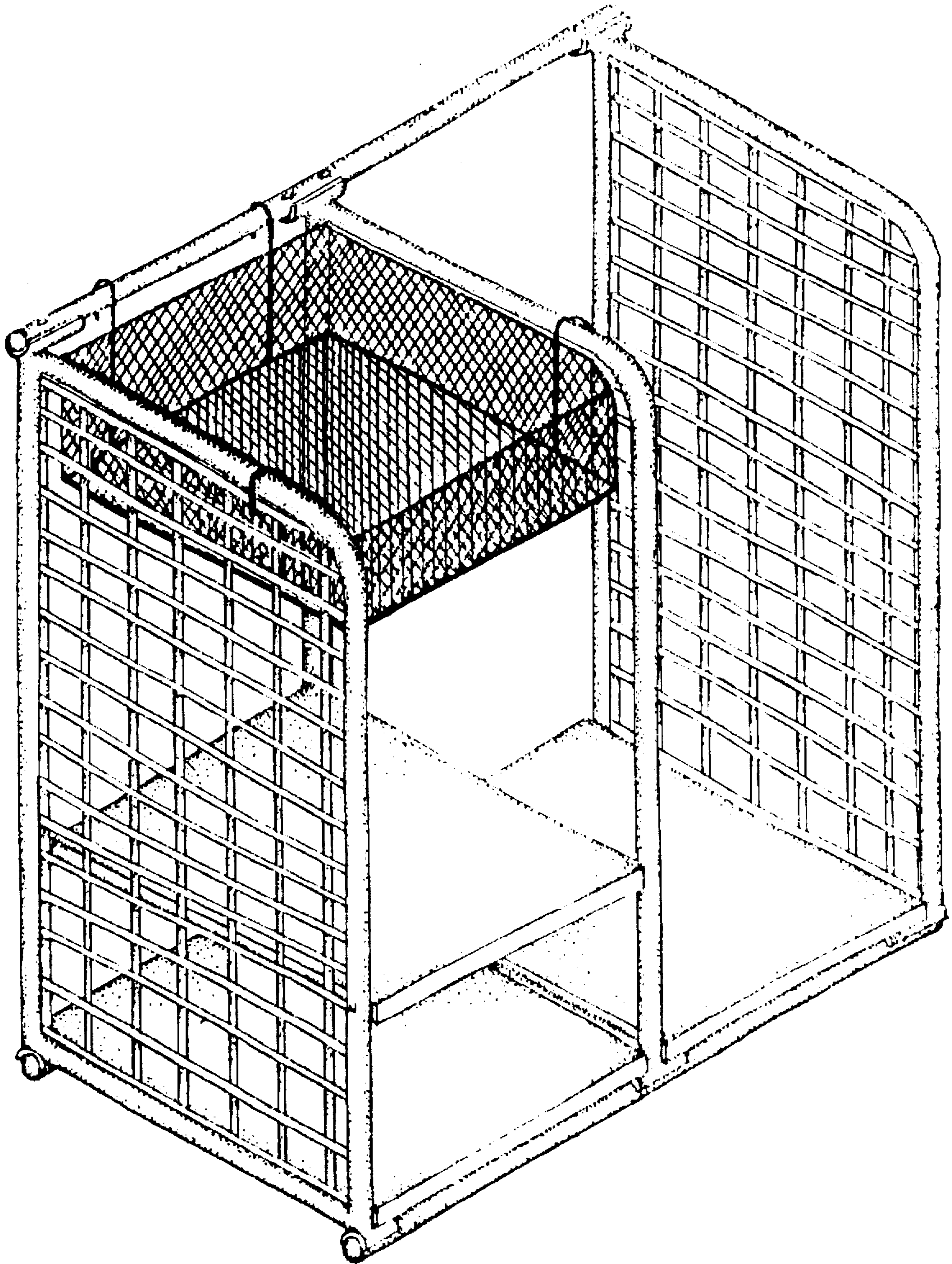


FIG. 1

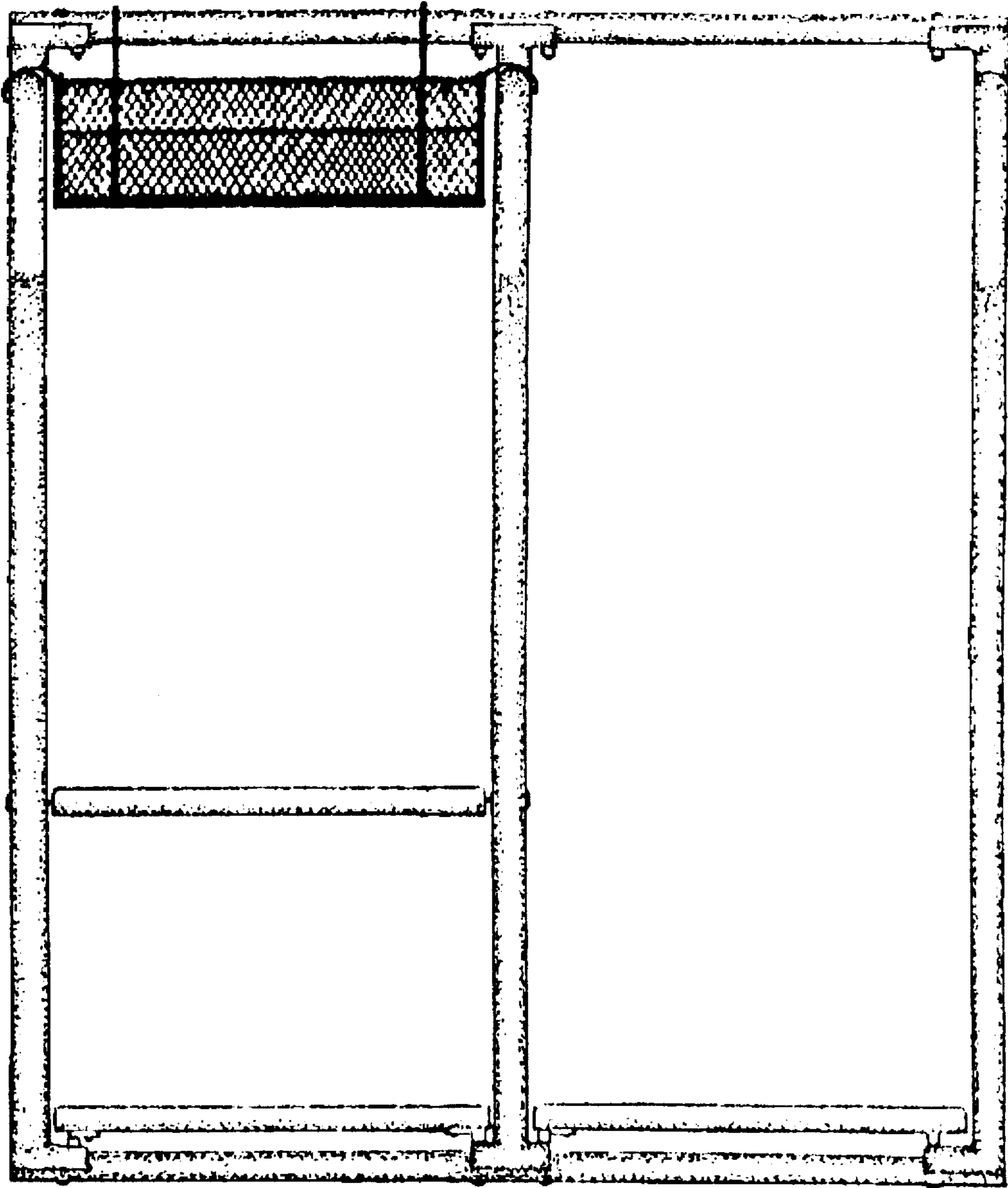


FIG. 2

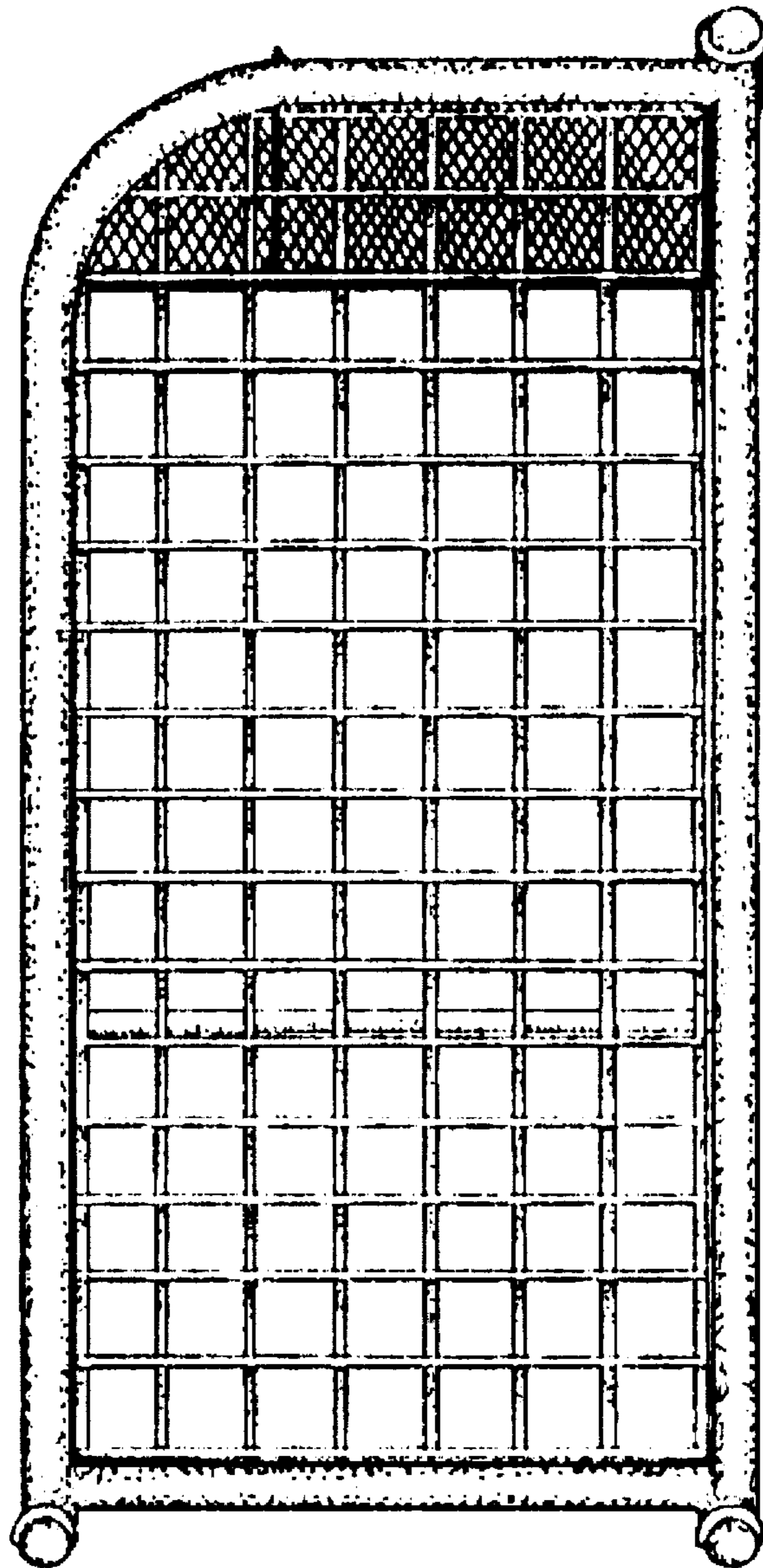


FIG. 3

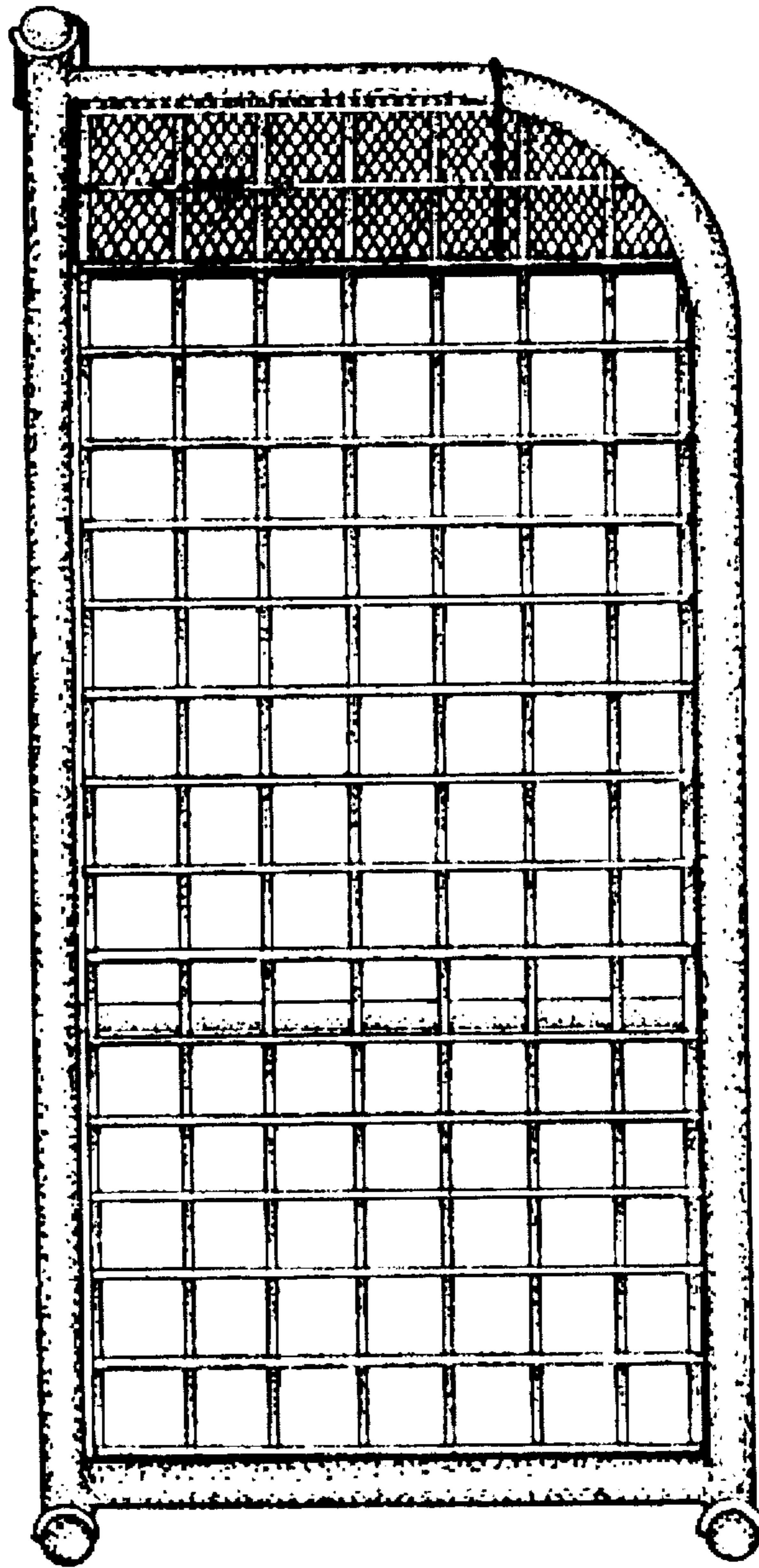


FIG 4

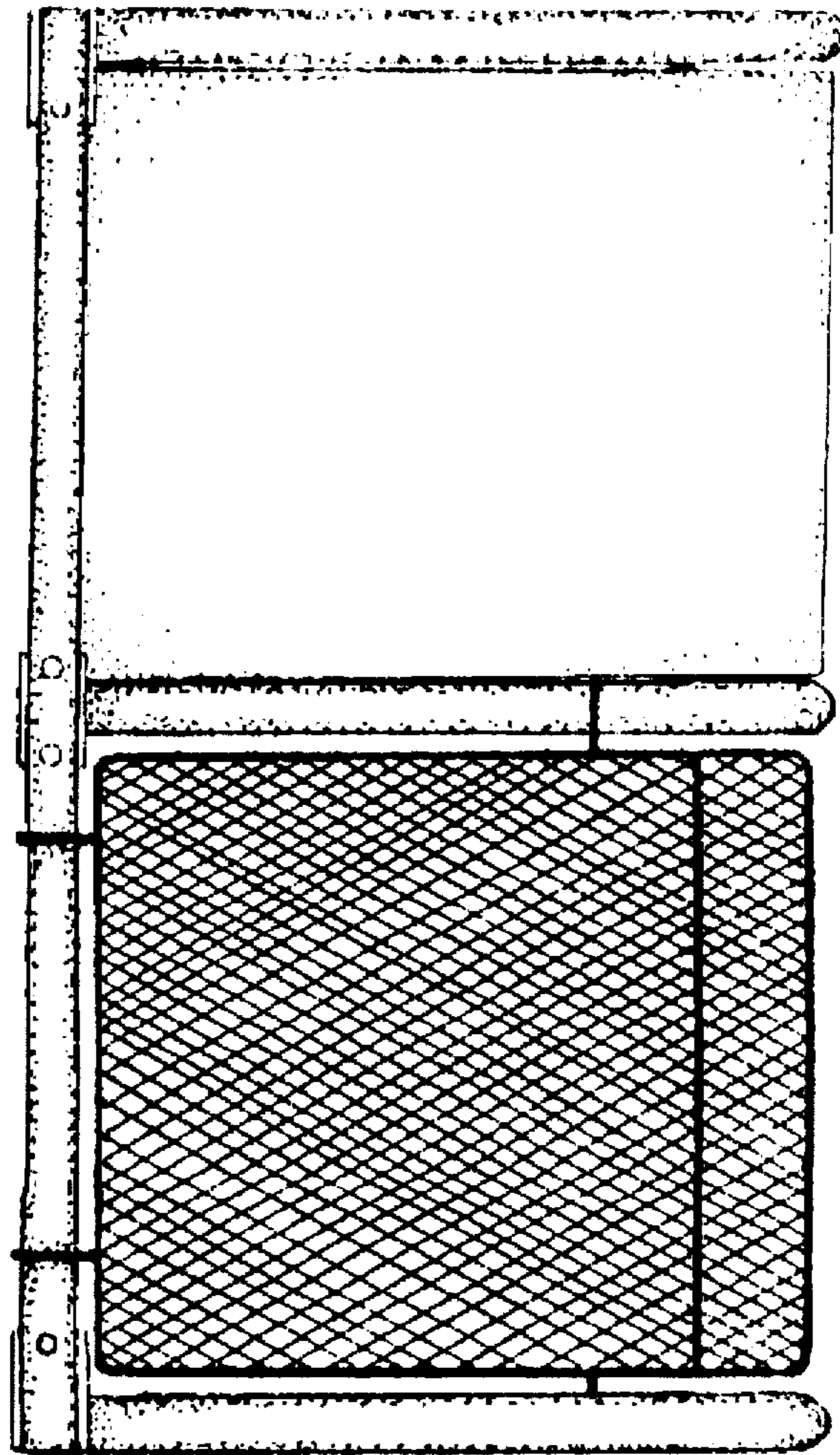


FIG. 5

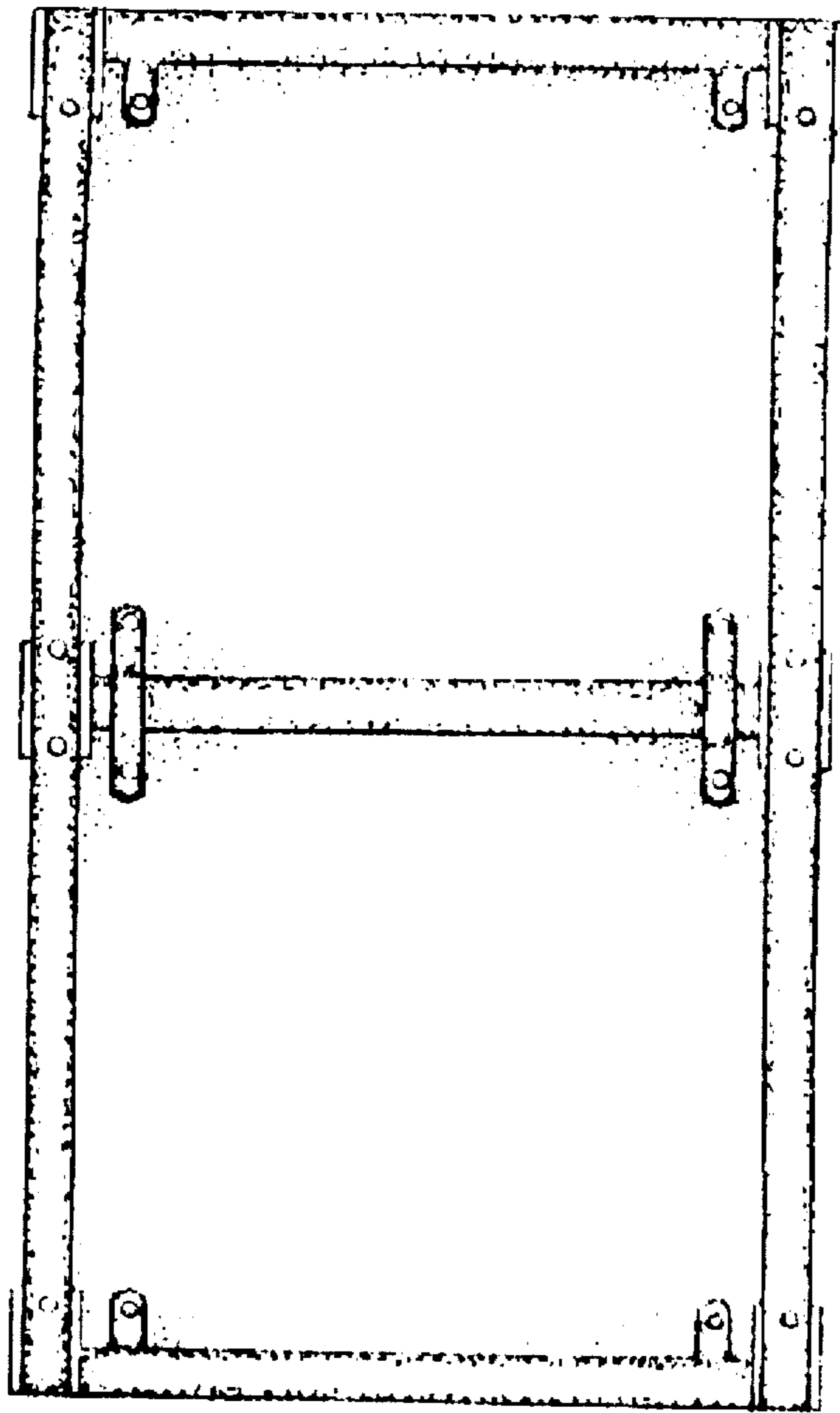


FIG. 6

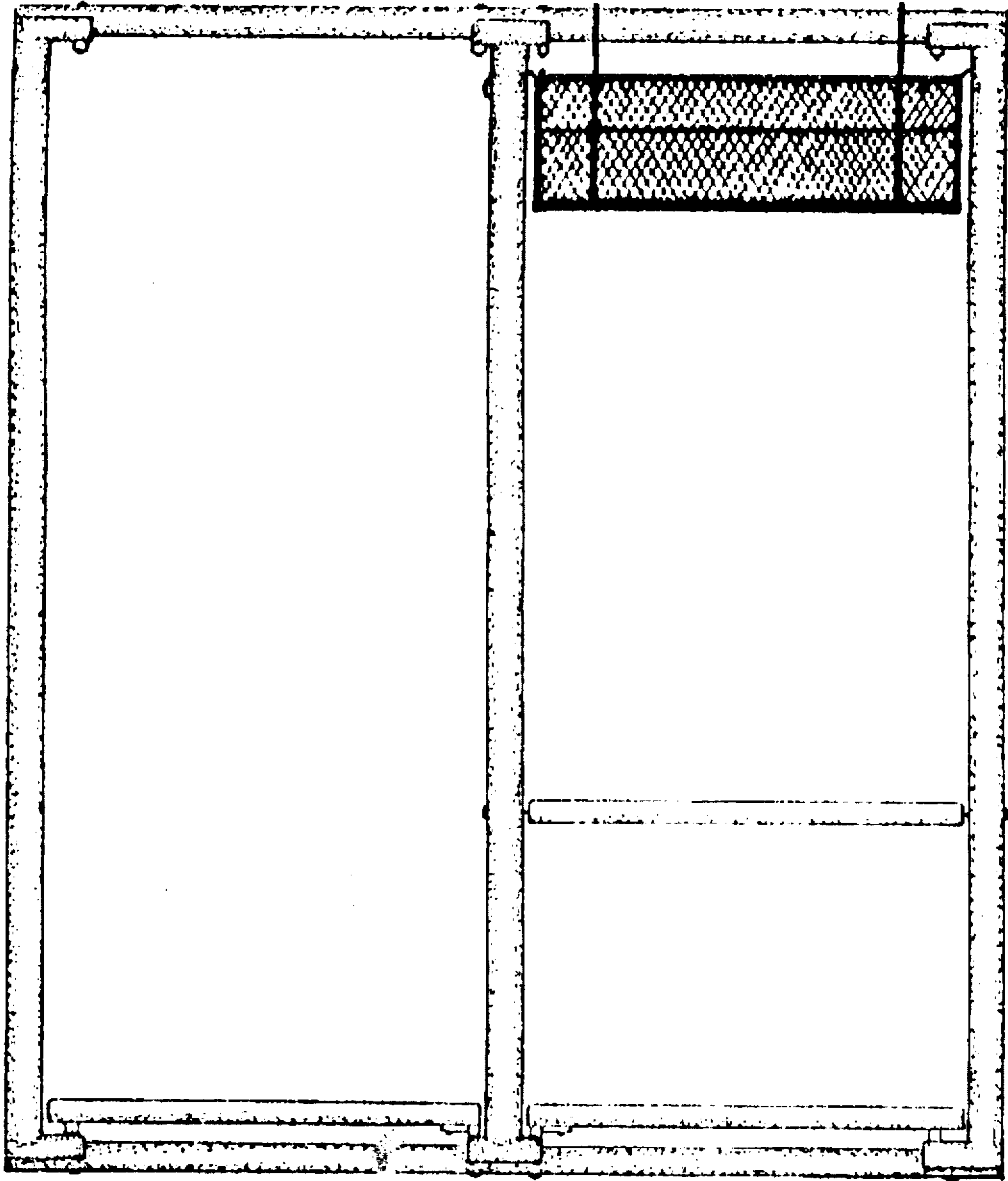


FIG. 7



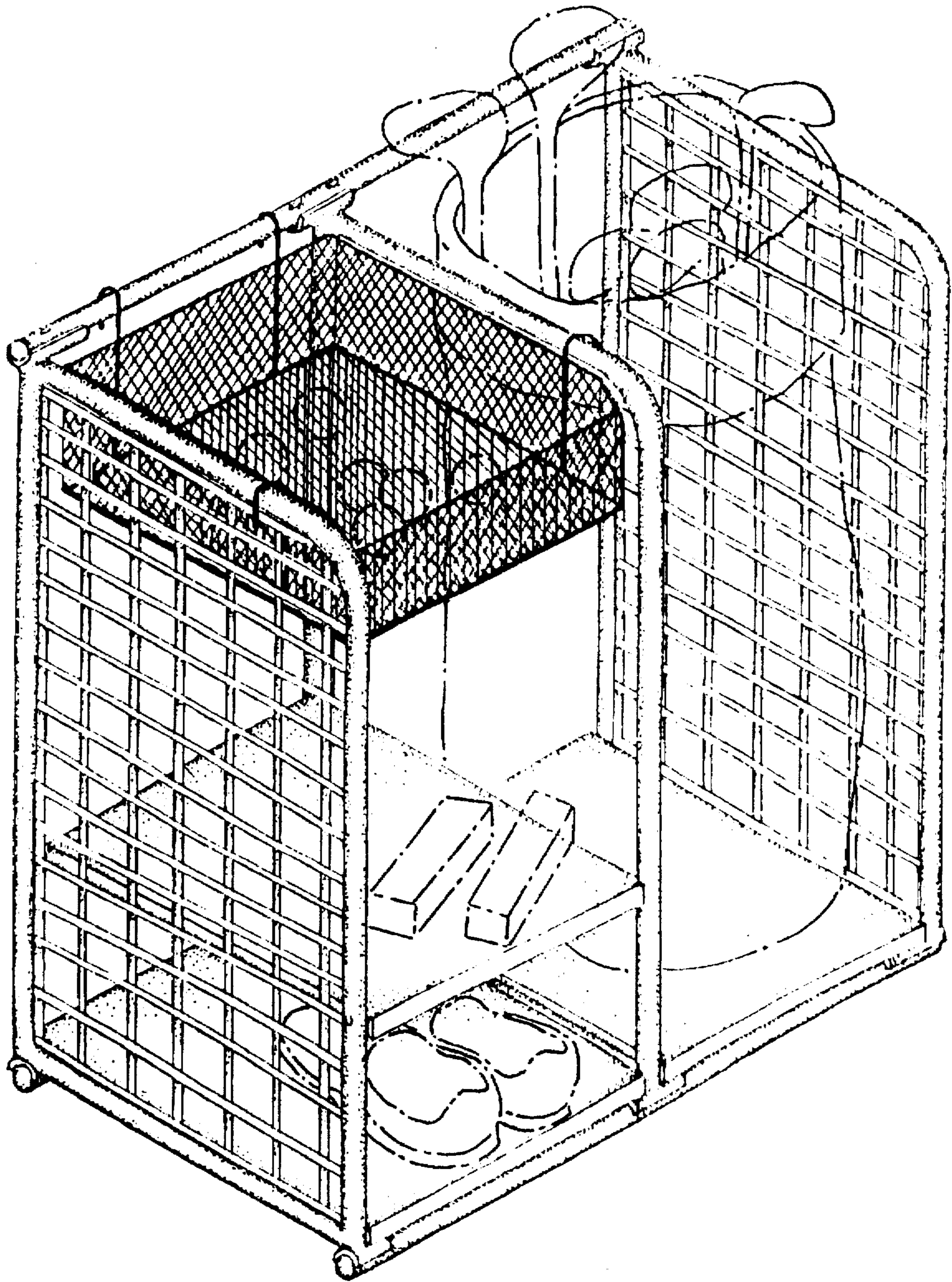


FIG. 8