



US00D392485S

United States Patent [19]
Gottwald

[11] **Patent Number:** **Des. 392,485**
[45] **Date of Patent:** ****Mar. 24, 1998**

[54] **BRACKET FOR A SHOWER ROD**
[75] **Inventor:** **Adolf Gottwald, Iserlohn, Germany**
[73] **Assignee:** **Friedrich Grohe, Hemer, Germany**
[**] **Term:** **14 Years**

D. 318,590 7/1991 McKeone D6/524
D. 341,511 11/1993 McKeone D6/550
D. 374,607 10/1996 Shoda D8/382
D. 375,843 11/1996 Wolfenden D4/199
1,097,496 5/1914 Woodhead 248/231.91
1,550,485 8/1925 Balmer 248/251 X

Primary Examiner—Pamela J. Burgess
Attorney, Agent, or Firm—Herbert Dubno

[21] **Appl. No.:** **72,277**
[22] **Filed:** **Jun. 13, 1997**

[57] **CLAIM**

[30] **Foreign Application Priority Data**
Jan. 29, 1997 [DE] Germany M9700838.9

The ornamental design for a bracket for a shower rod, as shown and described.

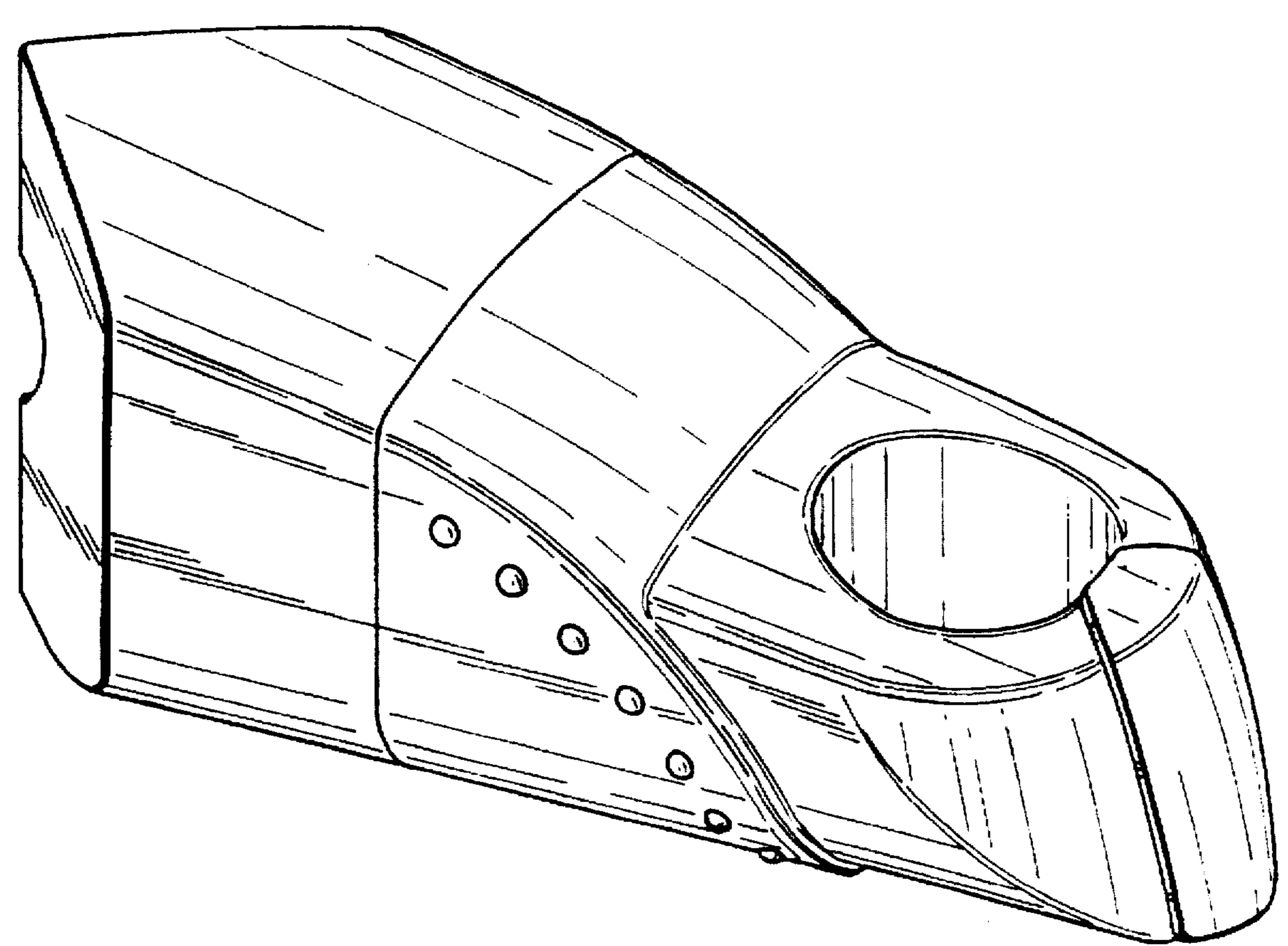
[51] **LOC (6) CL** **08-08**
[52] **U.S. Cl.** **D6/550**
[58] **Field of Search** D6/550, 546, 547,
D6/548, 549, 524; 211/13.1, 86-87, 16,
44, 105.1, 123, 182, 183; 248/200, 231.91,
251, 222.1, 224.3; D8/321, 382, 308; D4/199

DESCRIPTION

FIG. 1 is a top, front, left-side perspective view of a bracket for a shower rod showing my new design;
FIG. 2 is a rear view thereof;
FIG. 3 is a front view thereof;
FIG. 4 is a top view thereof;
FIG. 5 is a left side elevational view thereof, the right side being mirror symmetrical thereto; and,
FIG. 6 is a bottom view thereof.

[56] **References Cited**
U.S. PATENT DOCUMENTS
D. 317,692 6/1991 Wang D6/524 X

1 Claim, 2 Drawing Sheets



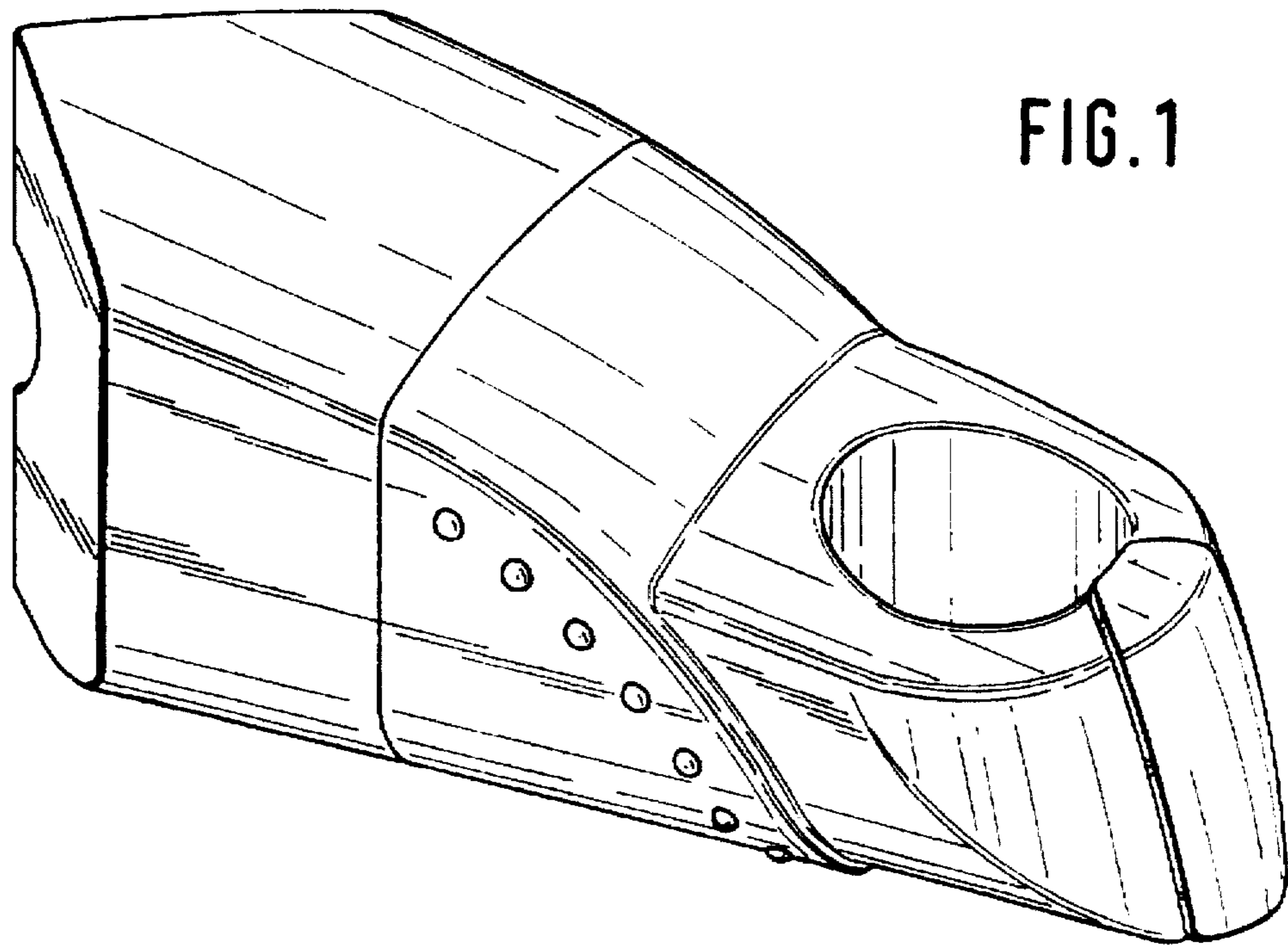


FIG. 2

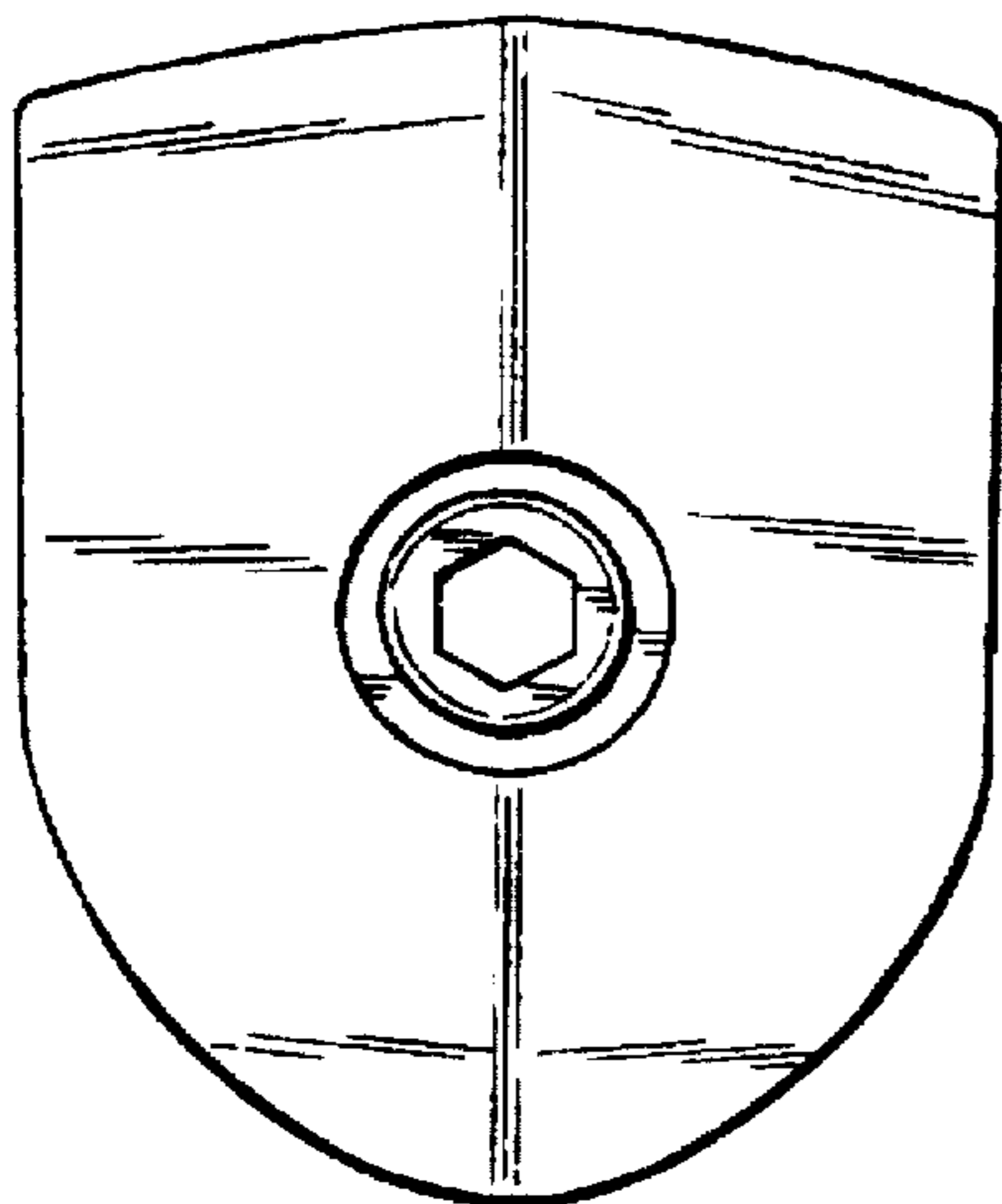


FIG. 3

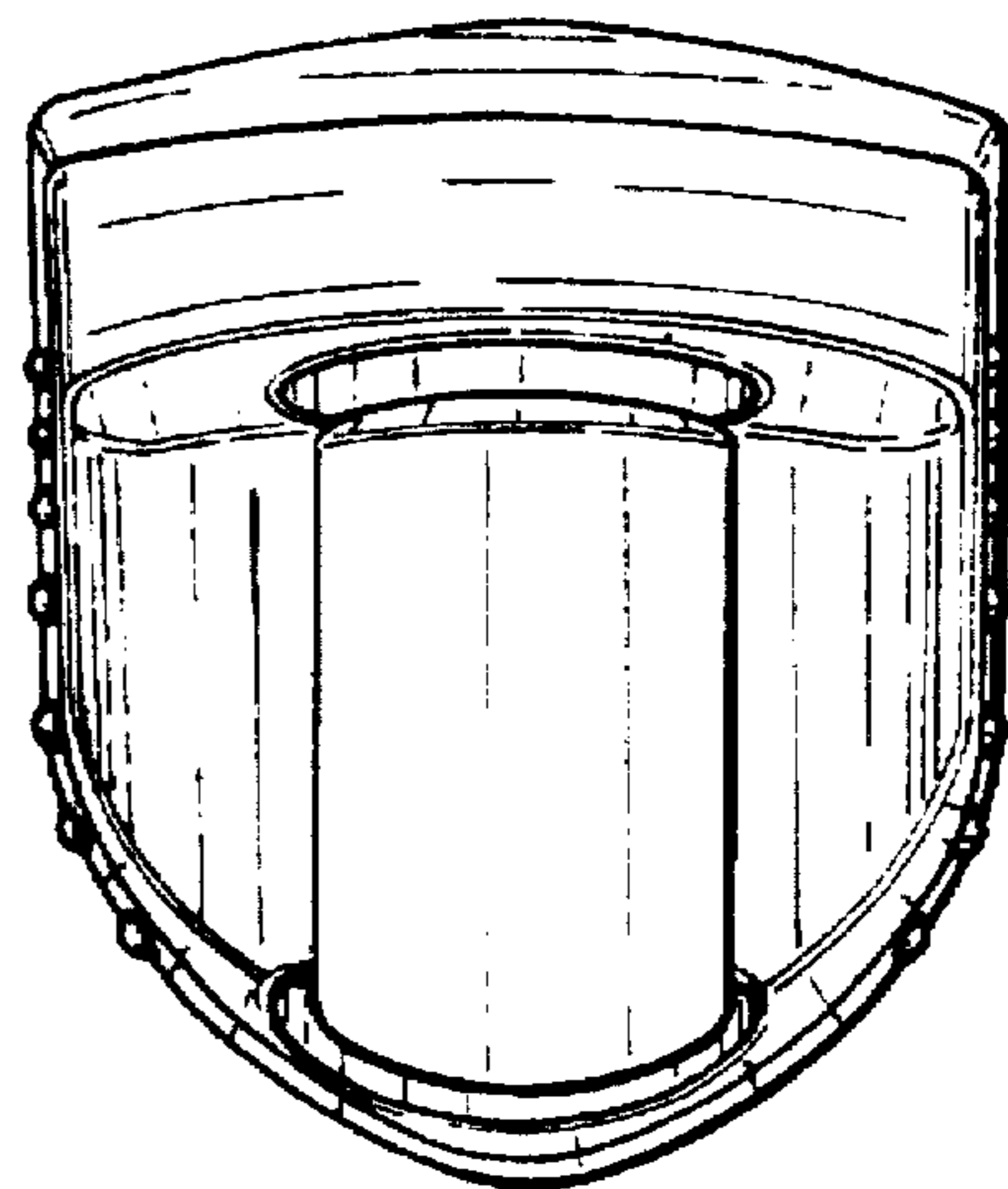


FIG. 4

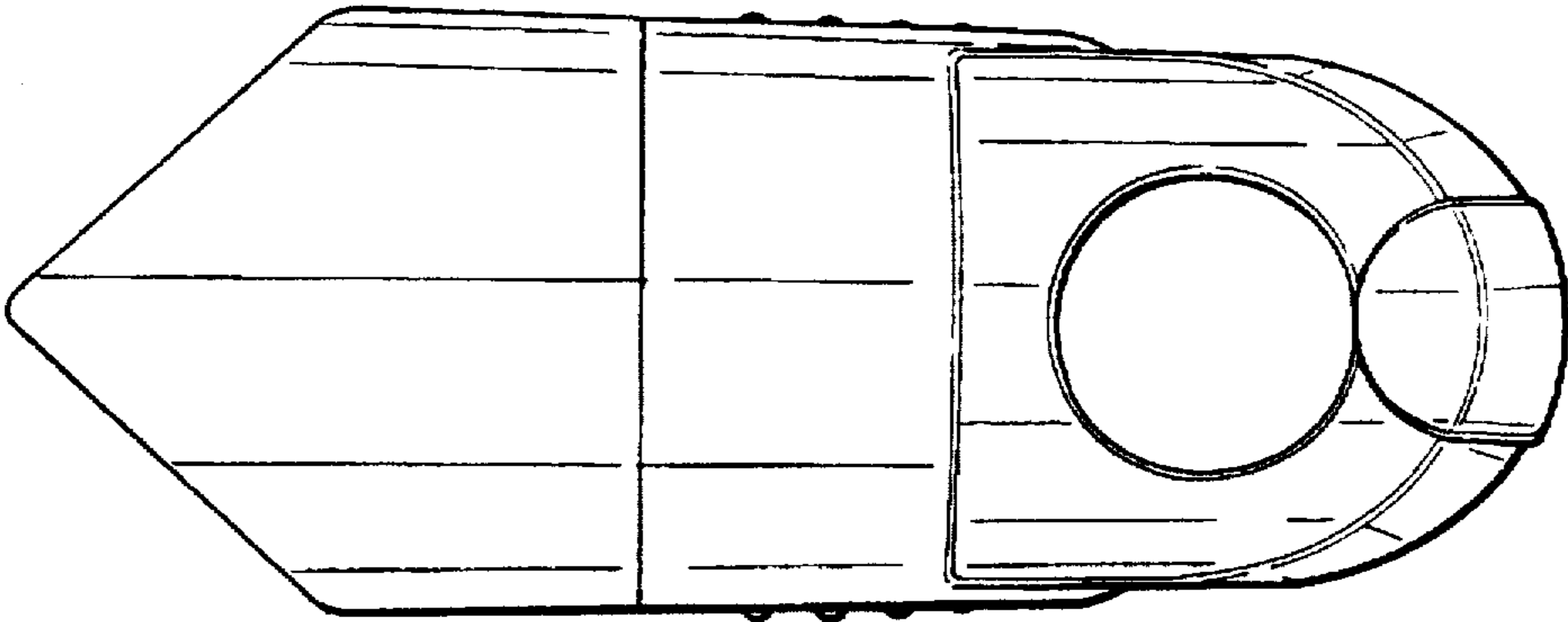


FIG. 5

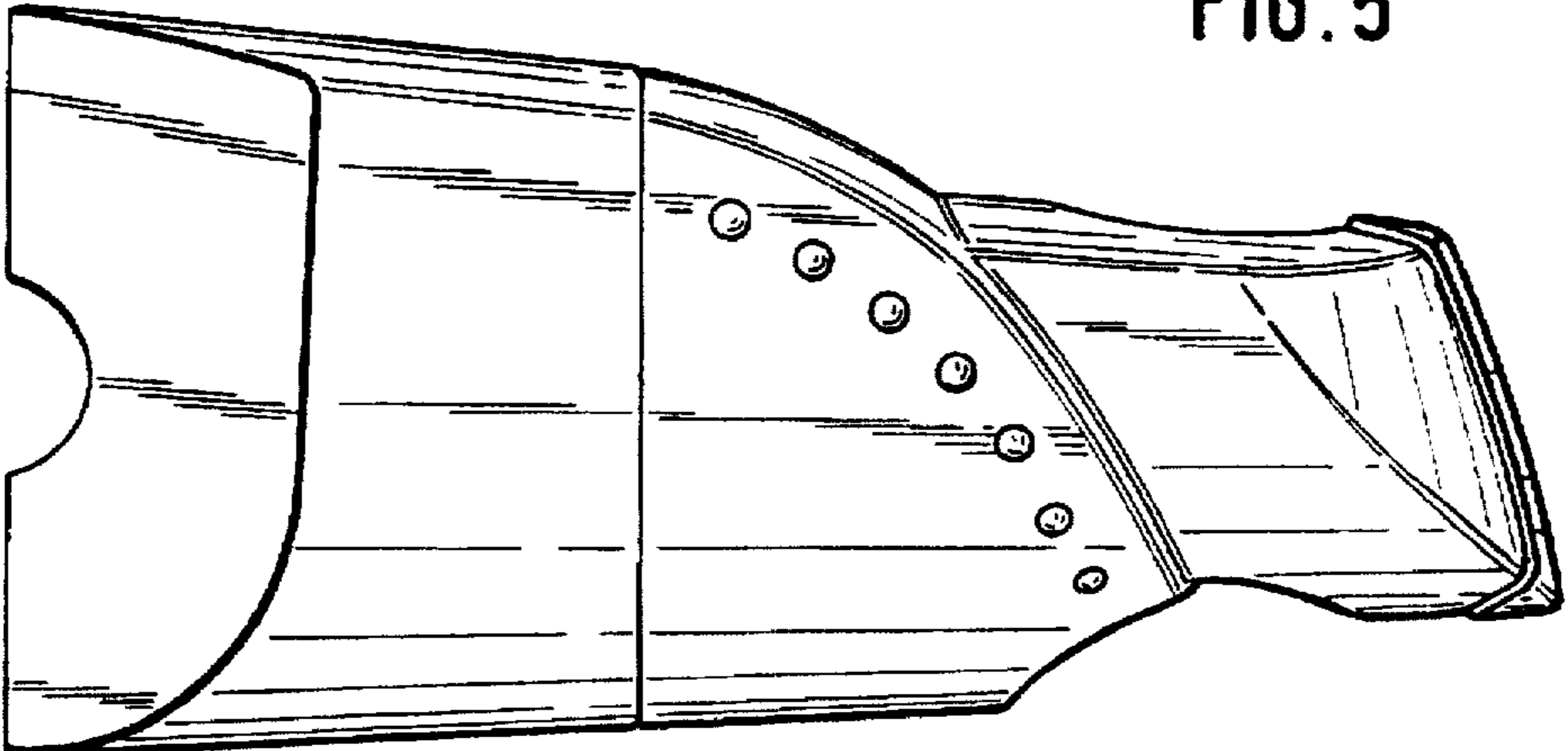


FIG. 6

