



US00D392484S

United States Patent [19] Yemini

[11] Patent Number: **Des. 392,484**
[45] Date of Patent: ****Mar. 24, 1998**

[54] **SHOWER CADDY**

4,573,591 3/1986 Chap 211/113
5,255,401 10/1993 Sambrookes et al. 211/133 X

[75] Inventor: **Zvi Yemini, Tel Aviv, Israel**

Primary Examiner—Brian N. Vinson
Attorney, Agent, or Firm—Edgar A. Zarins; Malcolm L. Sutherland

[73] Assignee: **Zenith Products Corp., New Castle, Del.**

[**] Term: **14 Years**

[57] **CLAIM**

The ornamental design for a shower caddy, as shown and described.

[21] Appl. No.: **65,346**

[22] Filed: **Jan. 24, 1997**

DESCRIPTION

[51] LOC (6) Cl. **07-07**

[52] U.S. Cl. **D6/525**

[58] Field of Search D6/525; 211/13,
211/86, 89-90, 113, 119, 181.1

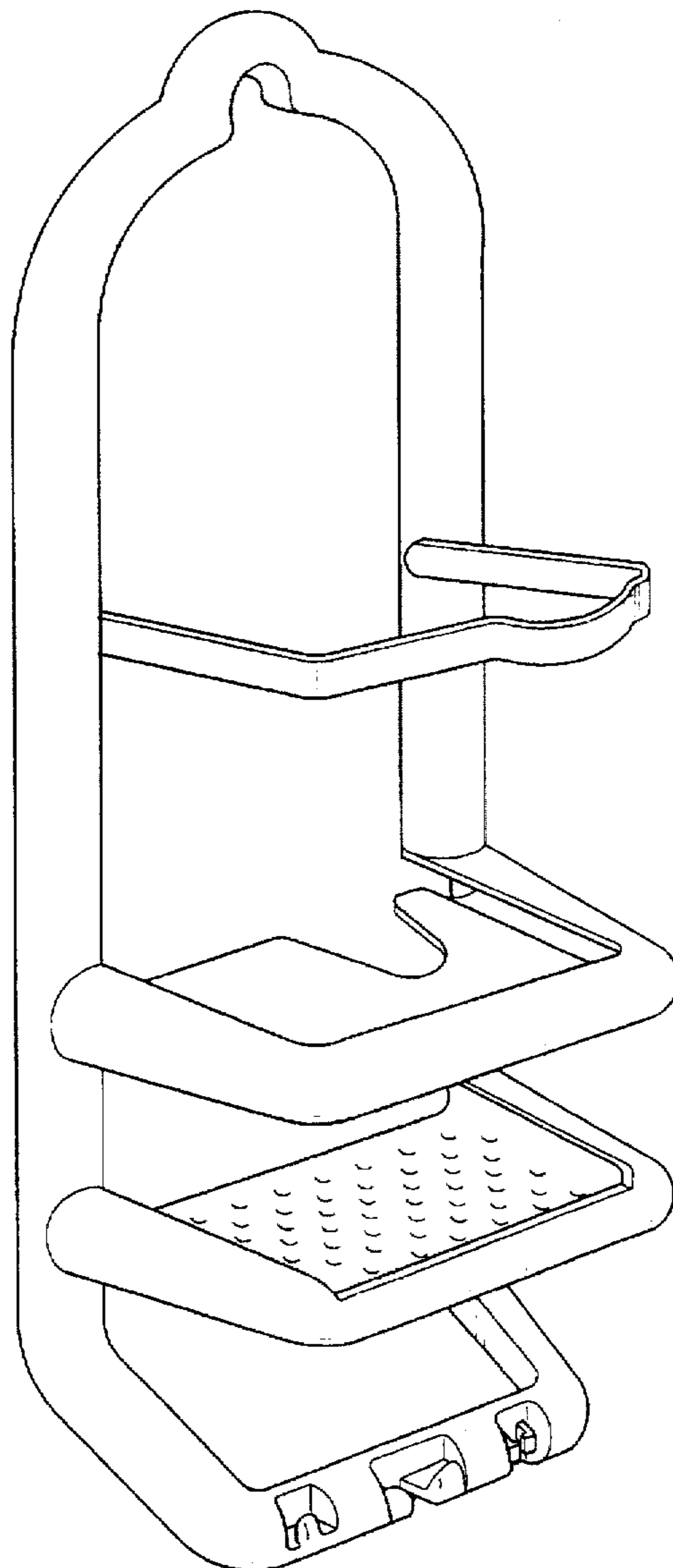
FIG. 1 is a front perspective view of a shower caddy showing my new design;
FIG. 2 is a front elevational view thereof;
FIG. 3 is a rear elevational view thereof;
FIG. 4 is a top plan view thereof;
FIG. 5 is a bottom plan view thereof;
FIG. 6 is a right side view thereof; and,
FIG. 7 is a left side view thereof.

[56] **References Cited**

U.S. PATENT DOCUMENTS

D. 382,750 8/1997 Andrus D6/525

1 Claim, 3 Drawing Sheets



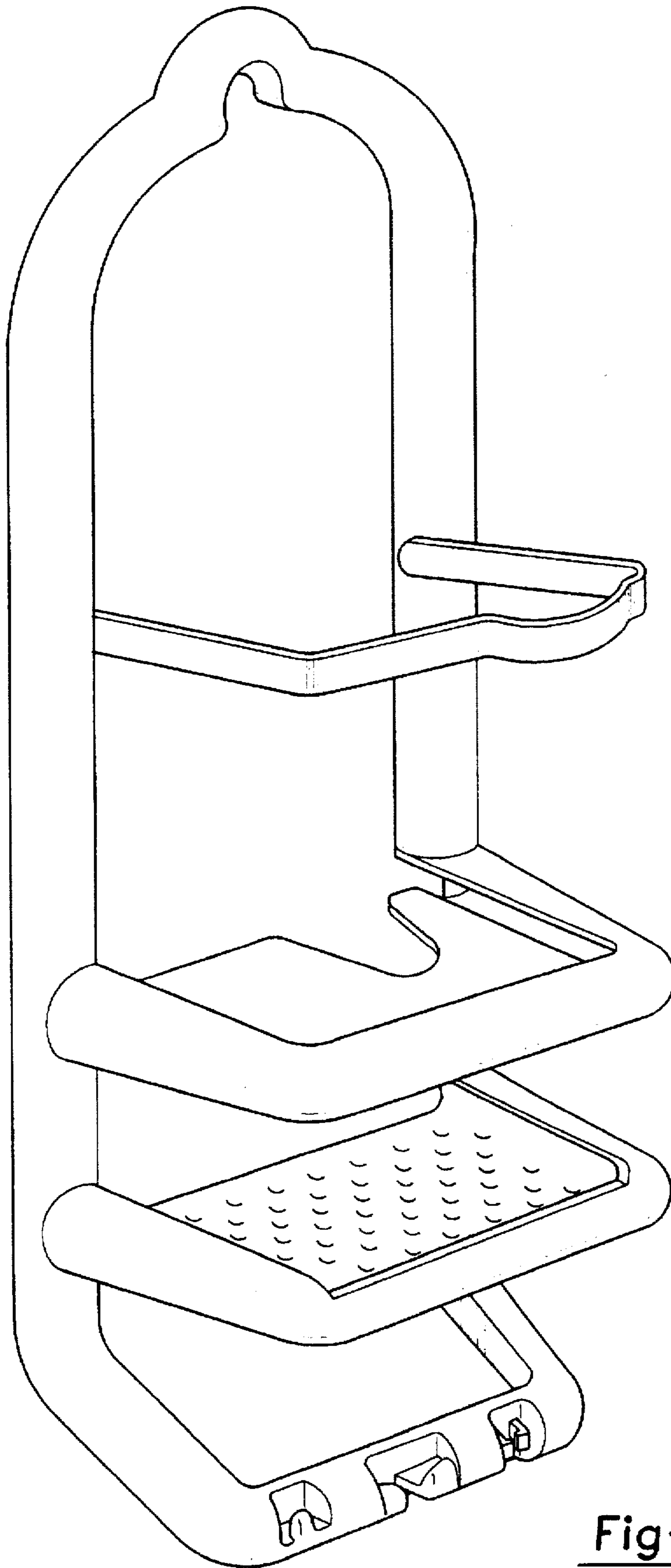


Fig-1

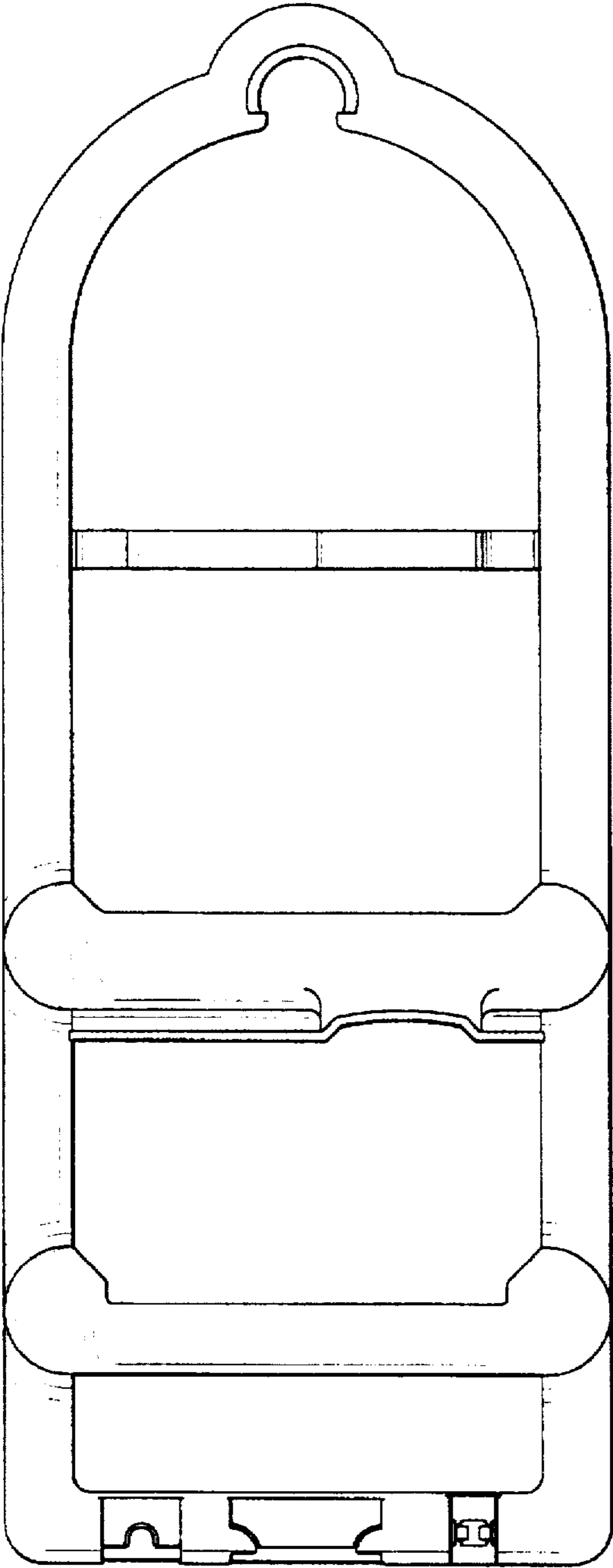


Fig-2

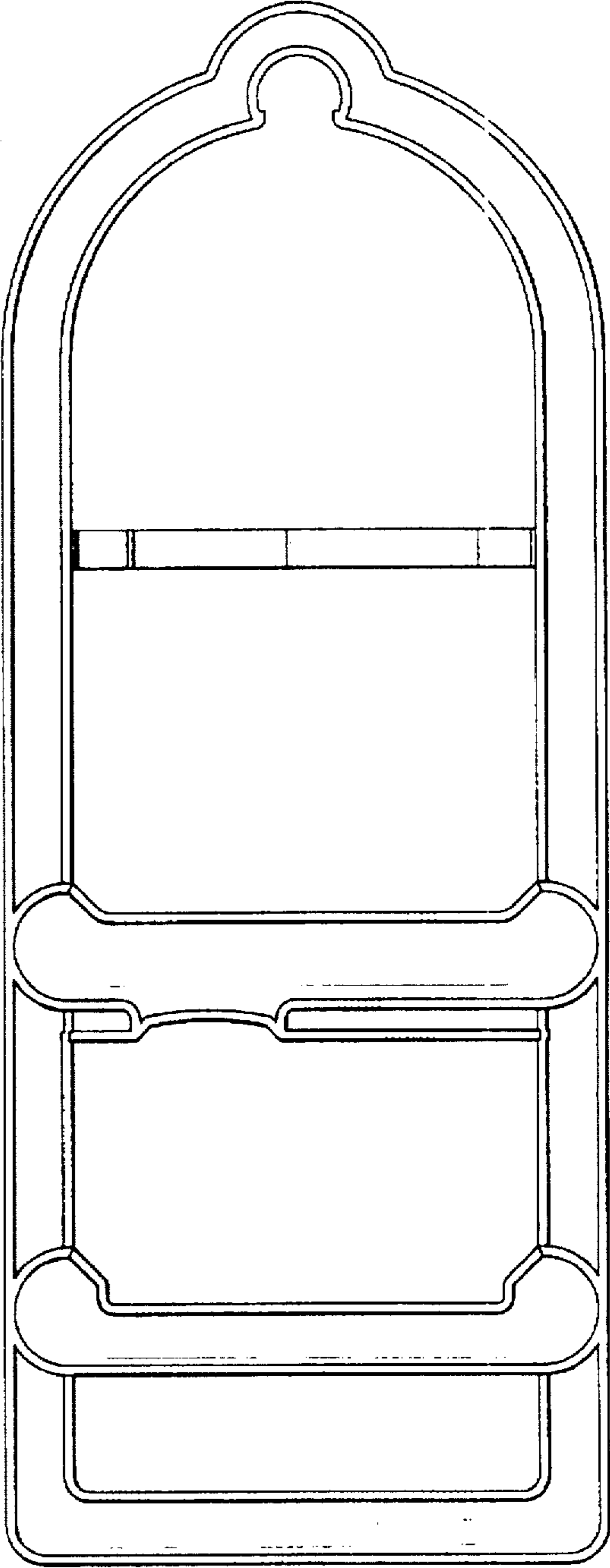


Fig-3

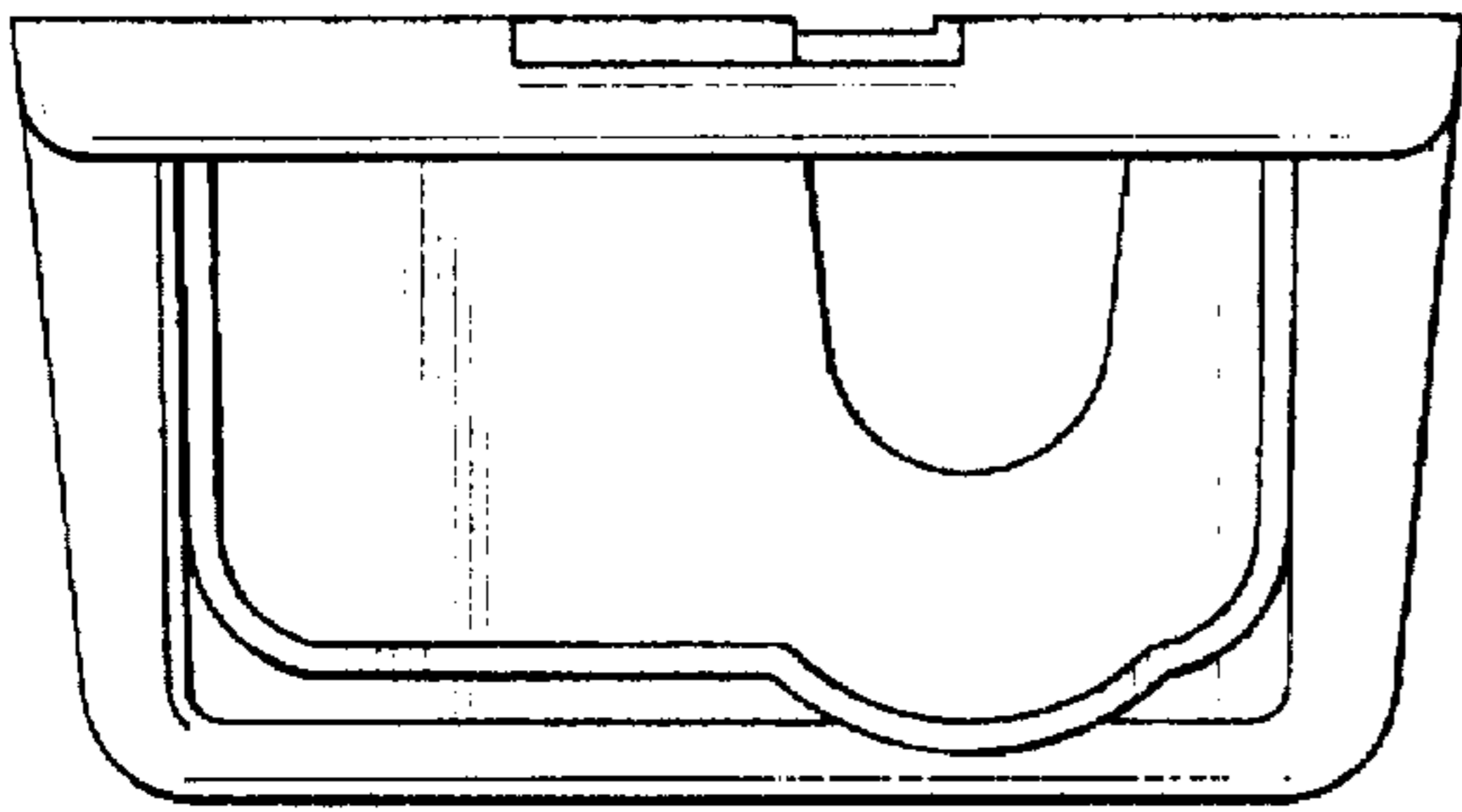


Fig-4

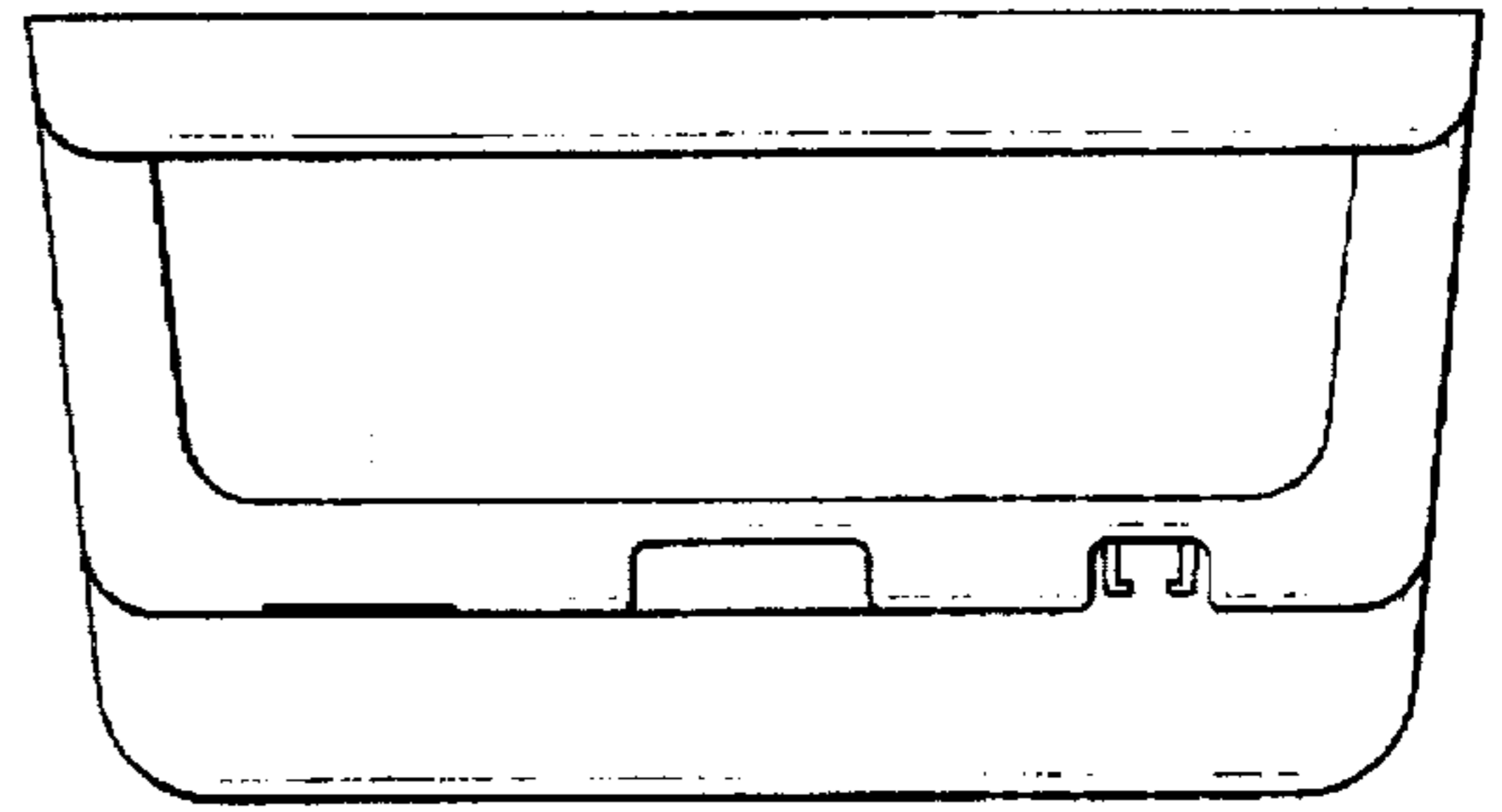


Fig-5

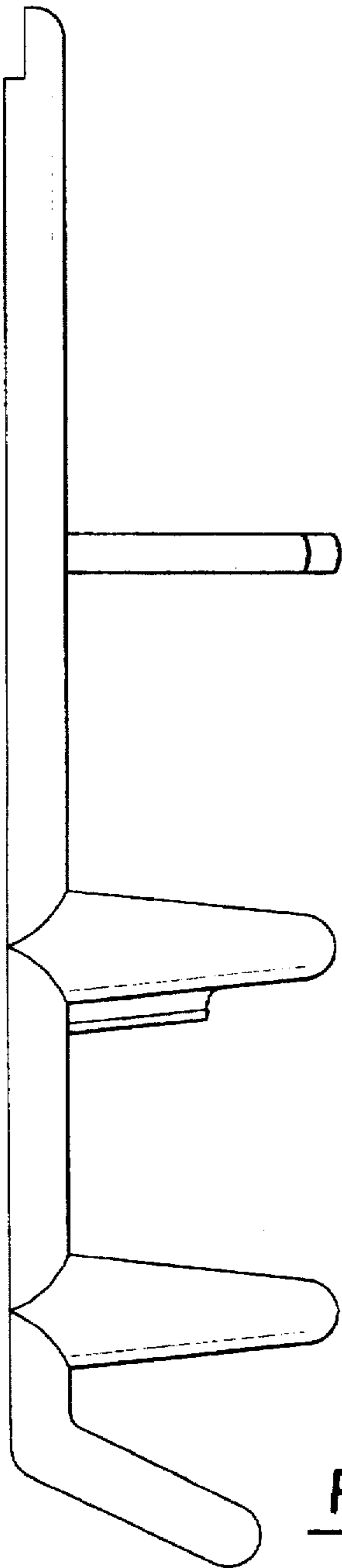


Fig-6

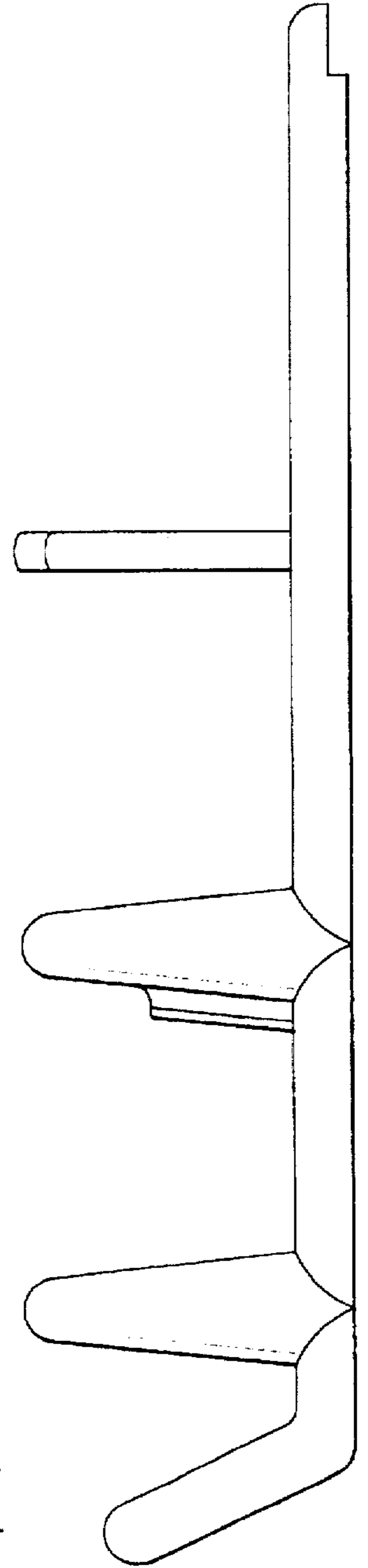


Fig-7