



US00D392481S

**United States Patent** [19]  
**Perkitny**

[11] **Patent Number: Des. 392,481**  
[45] **Date of Patent: \*\*Mar. 24, 1998**

[54] **TABLET DISPENSER**

[75] **Inventor: Jerzy Perkitny, Bay Village, Ohio**

[73] **Assignee: David J. Coury, Rocky River, Ohio**

[\*\*] **Term: 14 Years**

[21] **Appl. No.: 56,256**

[22] **Filed: Jun. 18, 1996**

[51] **LOC (6) Cl. .... 07-07**

[52] **U.S. Cl. .... D6/515**

[58] **Field of Search ..... D6/515, 517; D7/590,  
D7/589; 221/66, 208, 255-256, 282, 285-286;  
222/185**

- 3,294,285 12/1966 Kovacevic .
- 3,330,442 7/1967 O'Connor .
- 3,445,037 5/1969 Rothbaum .
- 3,587,922 6/1971 Oriti .
- 3,830,411 8/1974 Krechmar .
- 3,866,796 2/1975 Bozek .
- 3,889,847 6/1975 Uroshevich et al. .
- 3,921,851 11/1975 Nilson .
- 4,230,236 10/1980 Boulter .
- 4,308,974 1/1982 Jones .
- 4,354,619 10/1982 Wippermann et al. .
- 4,428,502 1/1984 Veltri .
- 4,496,075 1/1985 Ray .
- 4,512,500 4/1985 Balbin, Sr. .
- 4,548,336 10/1985 Dove .
- 4,828,143 5/1989 Jennings .
- 4,832,229 5/1989 Hackmann et al. .
- 5,174,471 12/1992 Kozlowski et al. .
- 5,363,984 11/1994 Laird, III .

[56] **References Cited**

**U.S. PATENT DOCUMENTS**

- D. 340,603 10/1993 Ellison ..... D6/515
- D. 345,481 3/1994 Fracalosi ..... D6/515
- 985,382 2/1911 Walter .
- 1,237,919 8/1917 Linkiewicz .
- 1,610,001 12/1926 Foster .
- 1,976,351 10/1934 Matthiesen .
- 2,134,180 10/1938 Felber .
- 2,227,167 12/1940 Warren .
- 2,479,860 8/1949 Otis .
- 2,553,671 5/1951 O'Brien, Jr. .
- 2,614,673 10/1952 Obodzinski .
- 2,627,973 2/1953 Sines .
- 2,684,179 7/1954 Sachs .
- 2,824,667 2/1958 Barnett .
- 2,828,048 3/1958 Swanson .
- 2,923,436 2/1960 Koehn .
- 3,016,167 1/1962 Richards, Jr. et al. .
- 3,161,321 12/1964 Mellion et al. .
- 3,204,834 9/1965 Gadenne .

*Primary Examiner*—Brian N. Vinson  
*Attorney, Agent, or Firm*—Fay, Sharpe, Beall, Fagan,  
Minnich & McKee

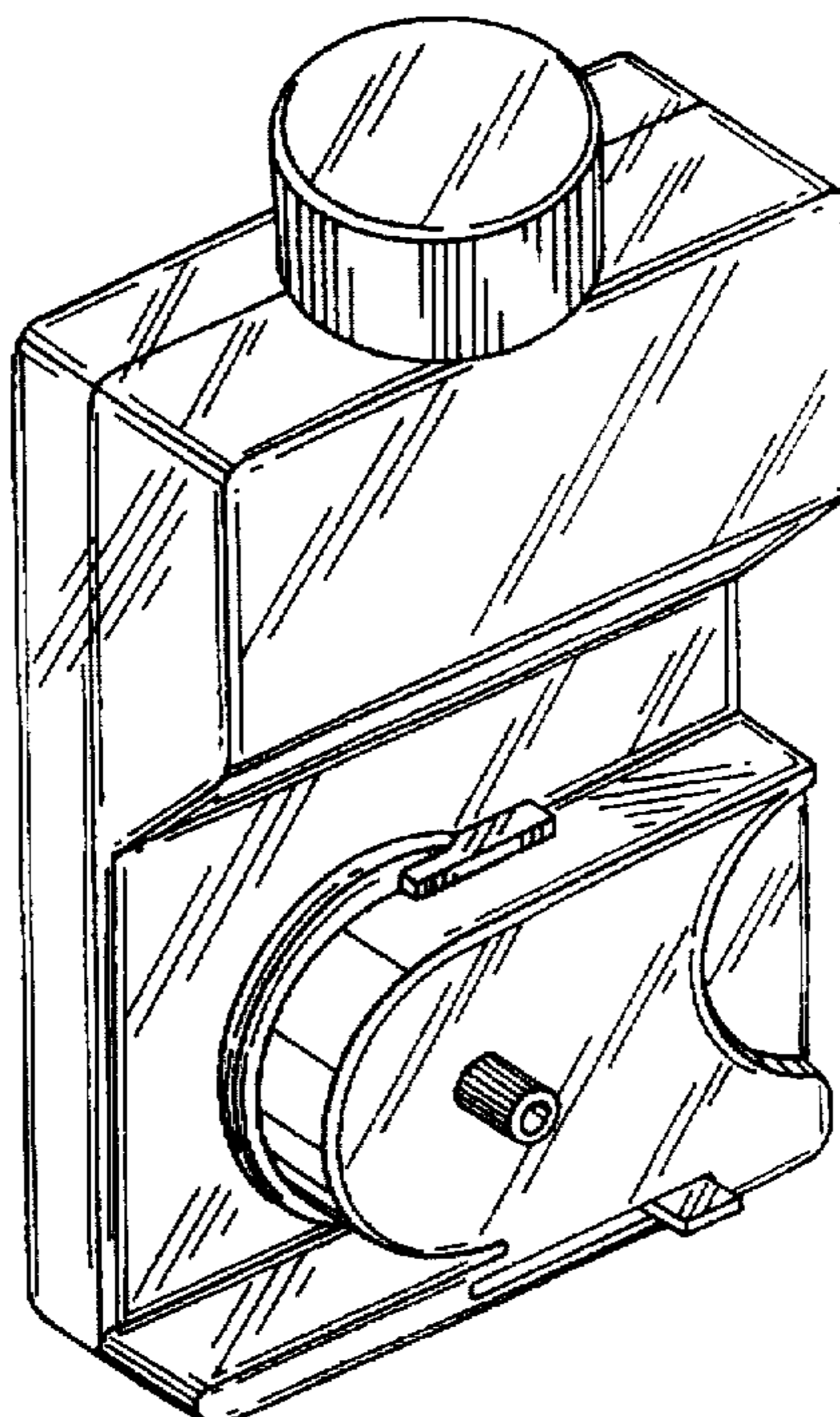
[57] **CLAIM**

The ornamental design for a tablet dispenser, as shown.

**DESCRIPTION**

FIG. 1 is a front perspective view of a tablet dispensing showing my new design;  
FIG. 2 is a front elevational view thereof;  
FIG. 3 is a right side elevational view thereof;  
FIG. 4 is a left side elevational view thereof;  
FIG. 5 is a rear elevational view thereof;  
FIG. 6 is a bottom plan view thereof;  
FIG. 7 is a top plan view thereof; and,  
FIG. 8 is a rear perspective thereof.

**1 Claim, 3 Drawing Sheets**



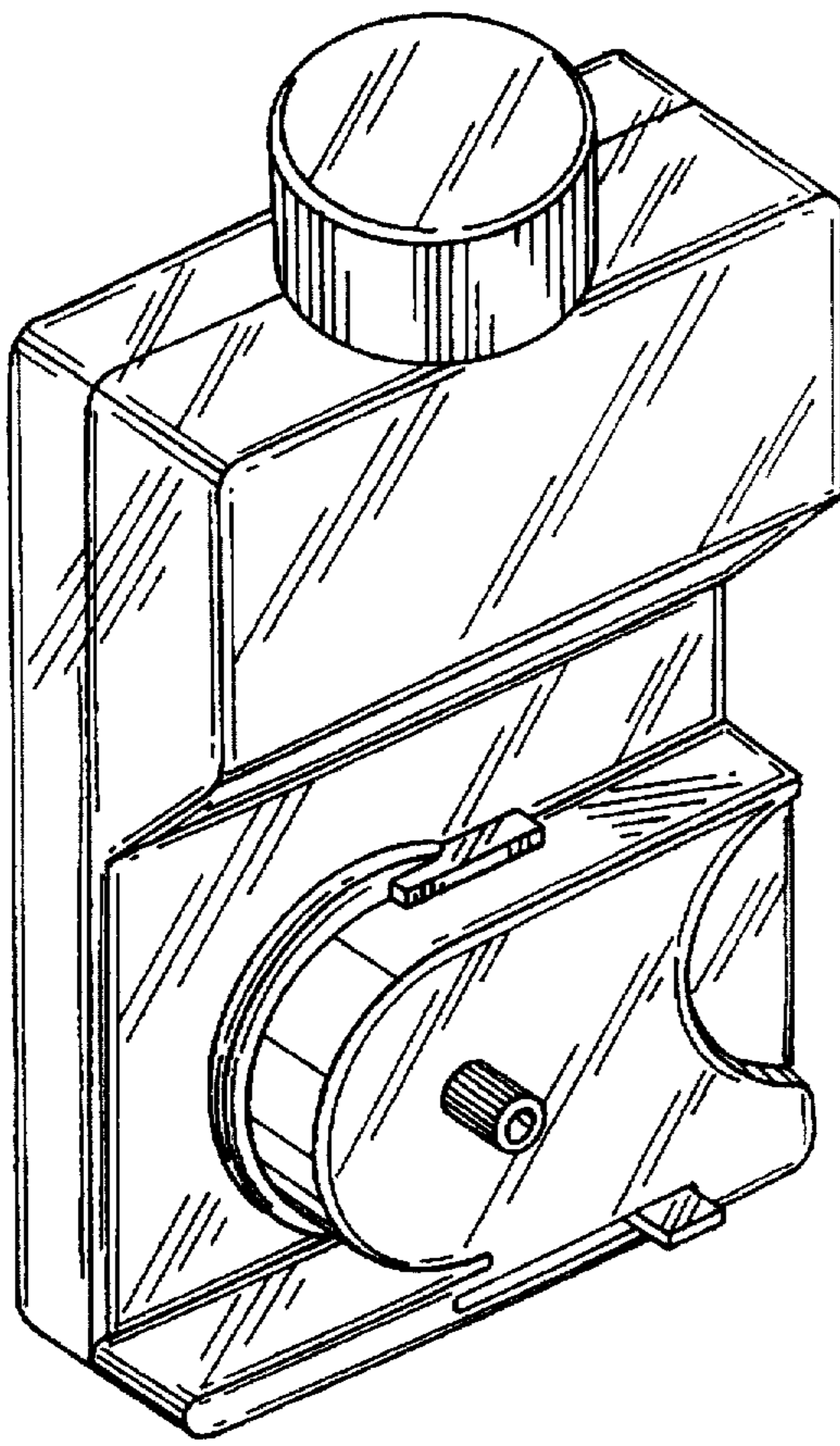


FIG. 1

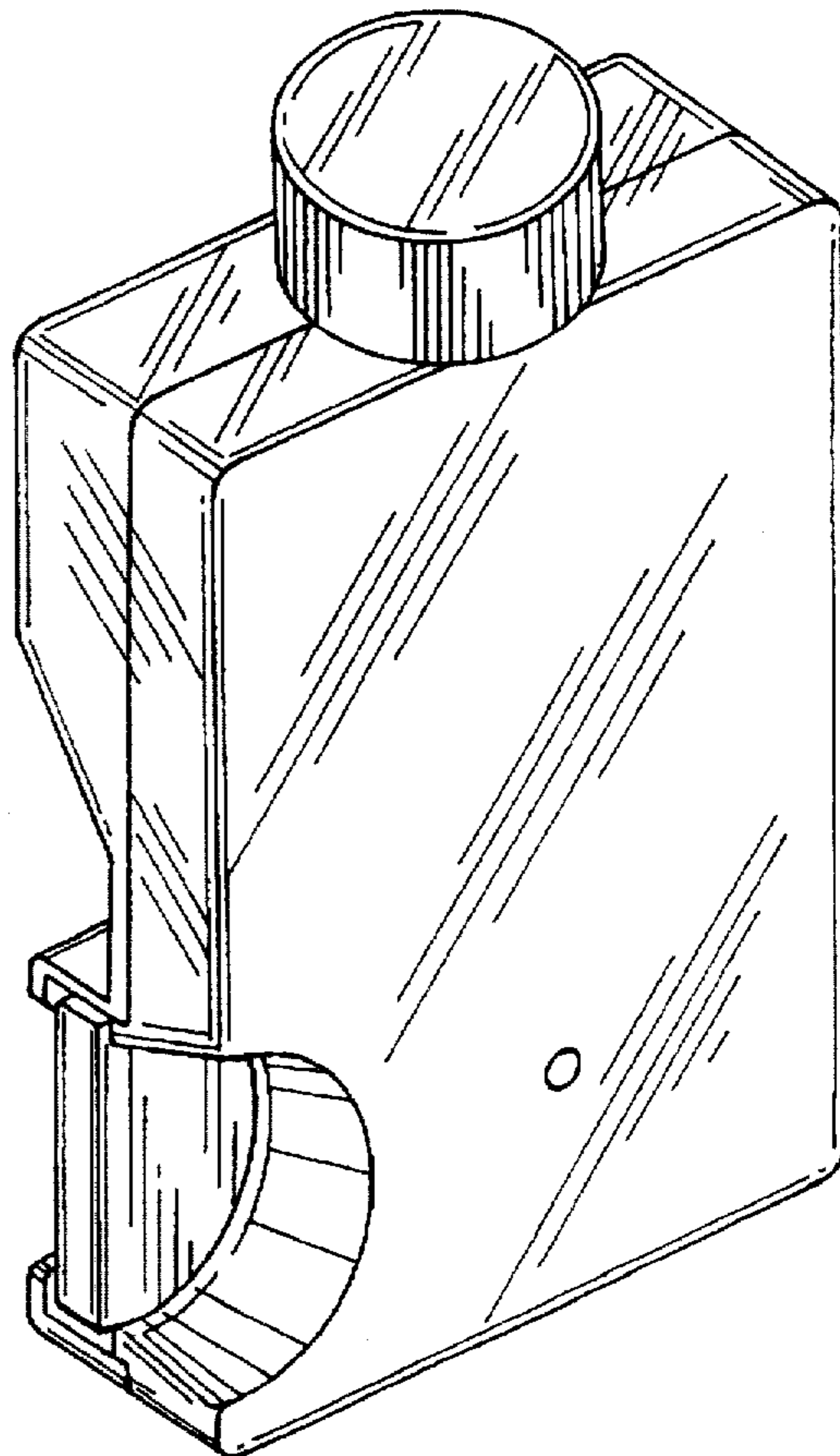


FIG. 8

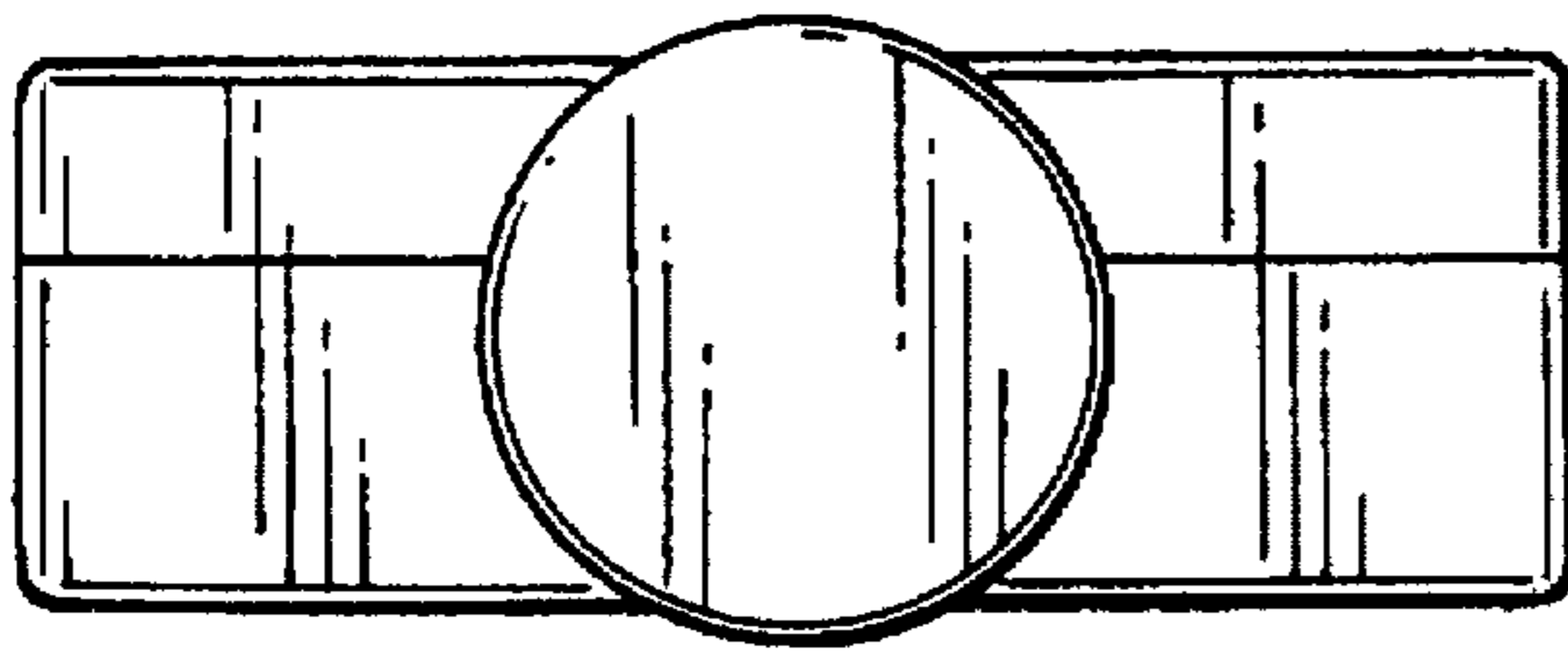


FIG. 7

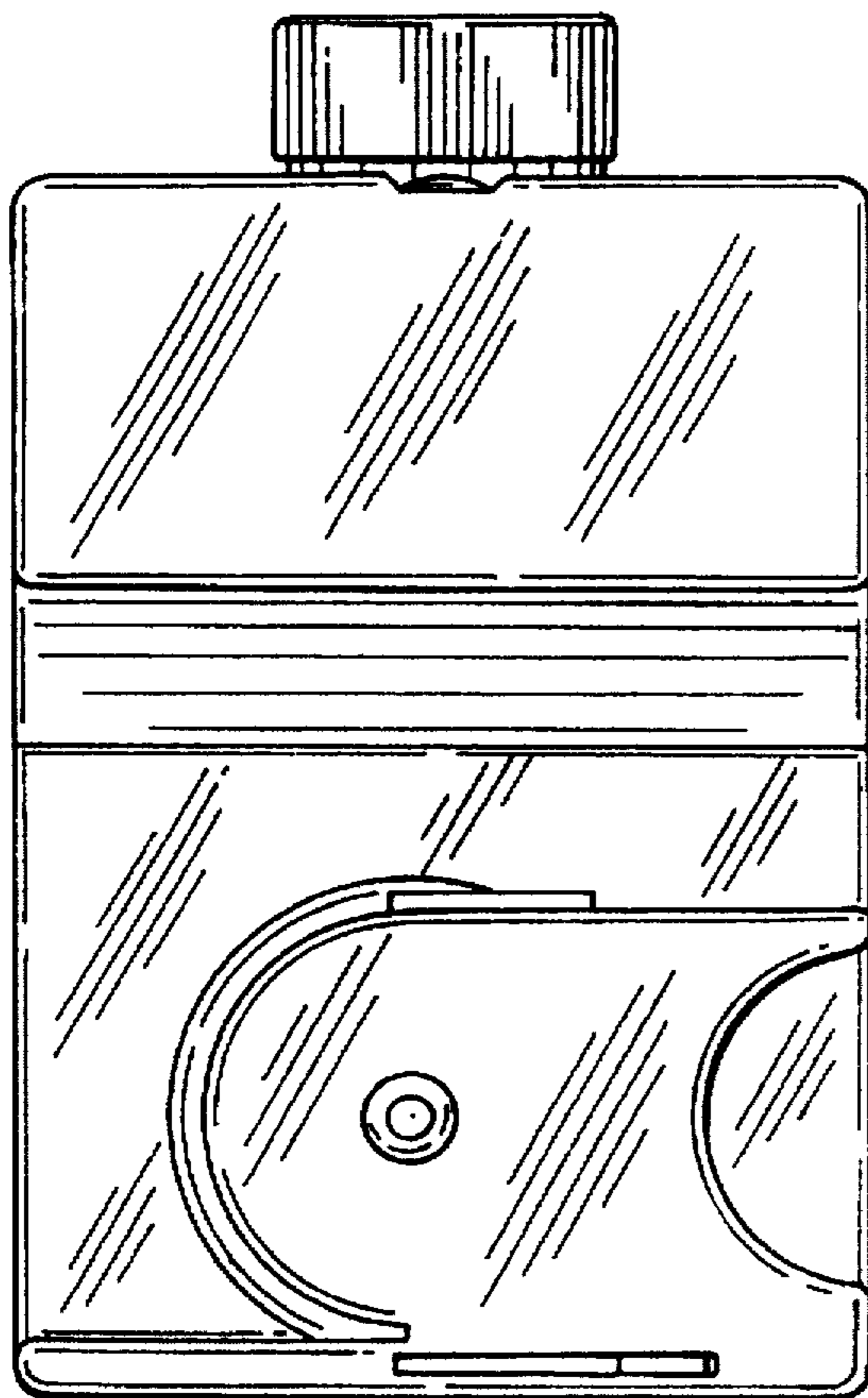


FIG. 2

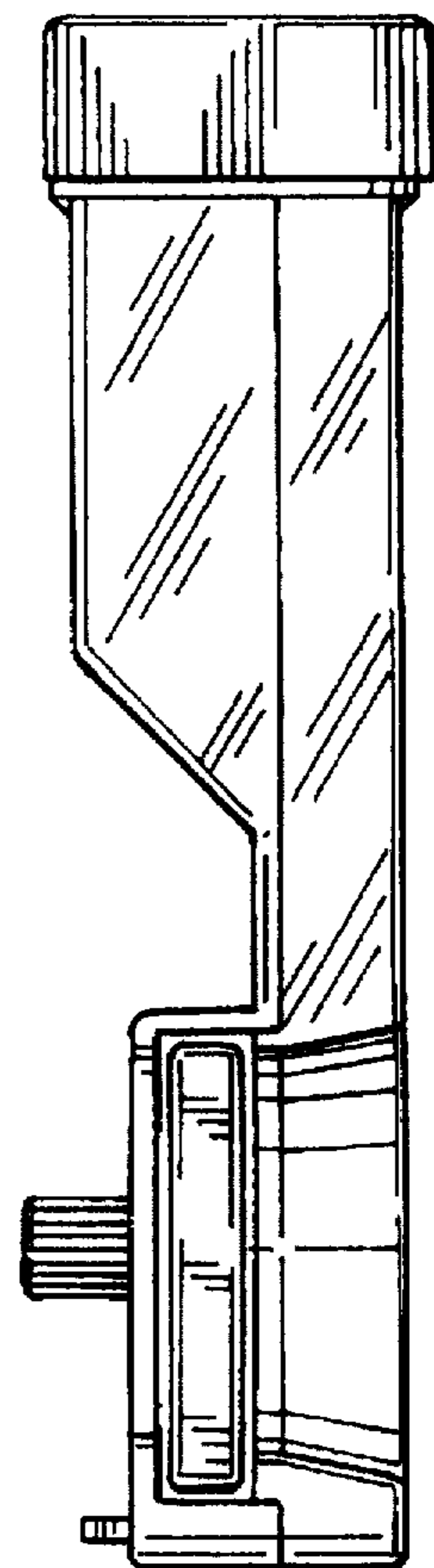


FIG. 3



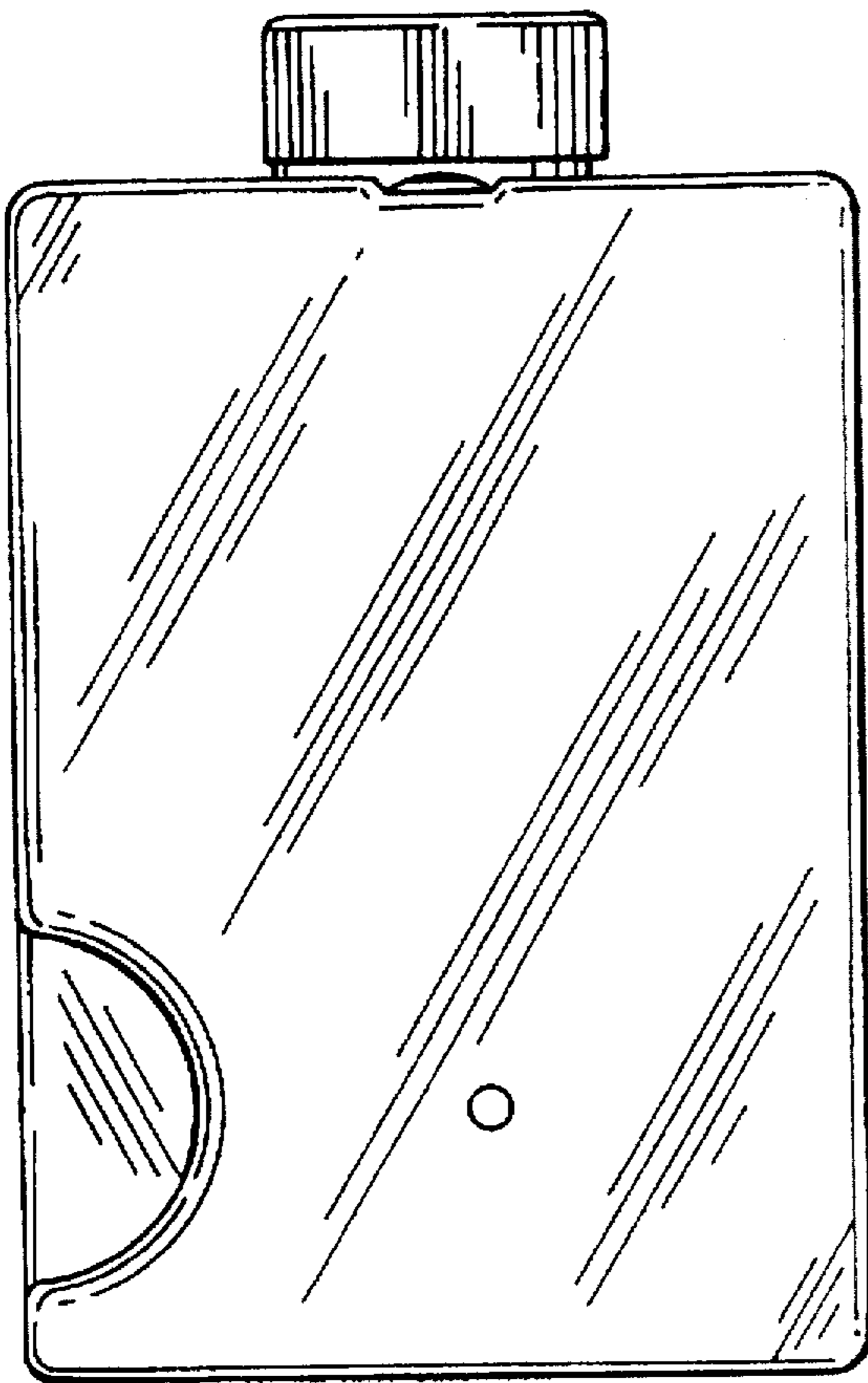


FIG. 5

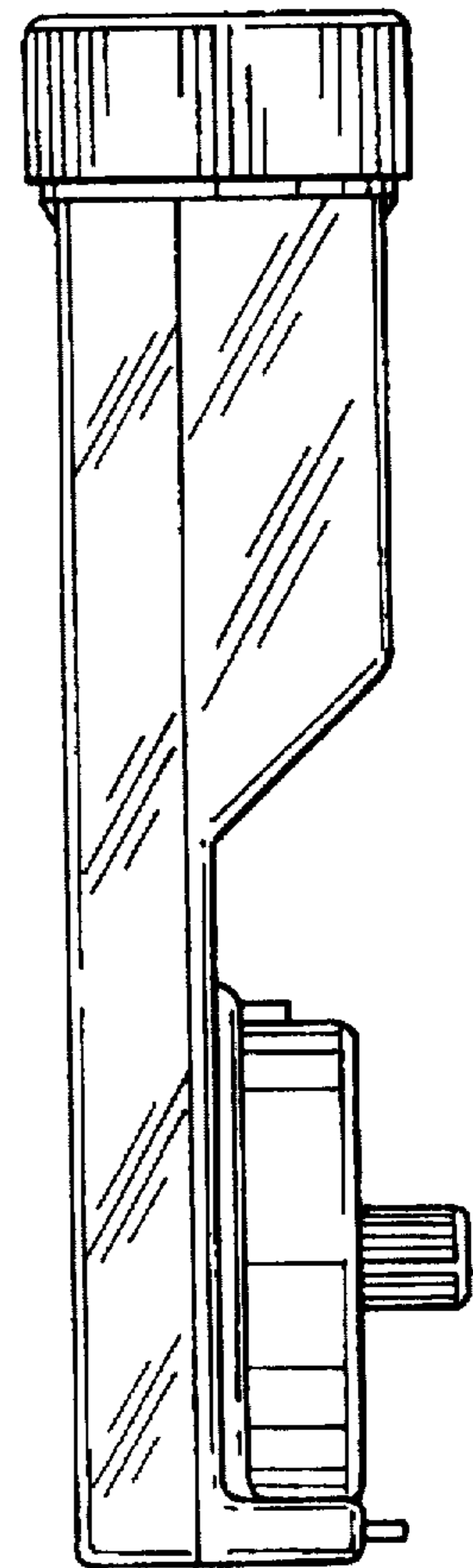


FIG. 4

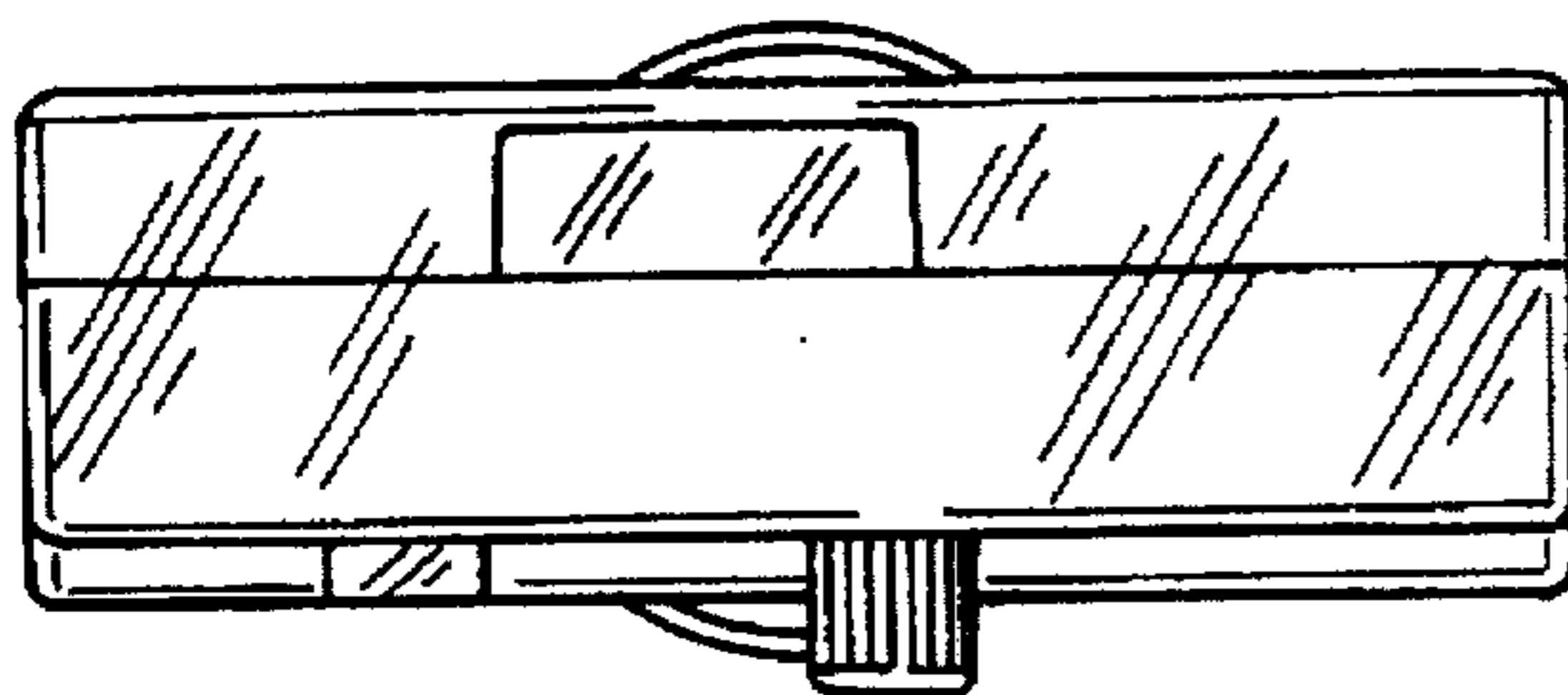


FIG. 6