



US00D392478S

United States Patent [19]
Schwab

[11] **Patent Number:** **Des. 392,478**
[45] **Date of Patent:** ****Mar. 24, 1998**

[54] **COFFEE TABLE**

[76] **Inventor:** **Fritz Schwab**, 1850 St-Vincent-de-paul,
Lavall, Quebec, Canada, N7E 4X3

[**] **Term:** **14 Years**

[21] **Appl. No.:** **61,666**

[22] **Filed:** **Oct. 28, 1996**

[51] **LOC (6) Cl.** **06-03**

[52] **U.S. Cl.** **D6/486; D6/480**

[58] **Field of Search** **D6/480-489, 495-499,**
D6/451; 108/150, 153, 156, 157, 161; 248/188,
188.1

[56] **References Cited**

U.S. PATENT DOCUMENTS

D. 276,100 10/1984 Middleton D6/466
D. 336,575 6/1993 Hasuike D6/486

OTHER PUBLICATIONS

DIA, 1988, p. 56, #431 table at top right.
DIA, 1988, p. 24, #7130-23 table at bottom right.

Primary Examiner—Janice E. Seeger

Attorney, Agent, or Firm—François Martineau

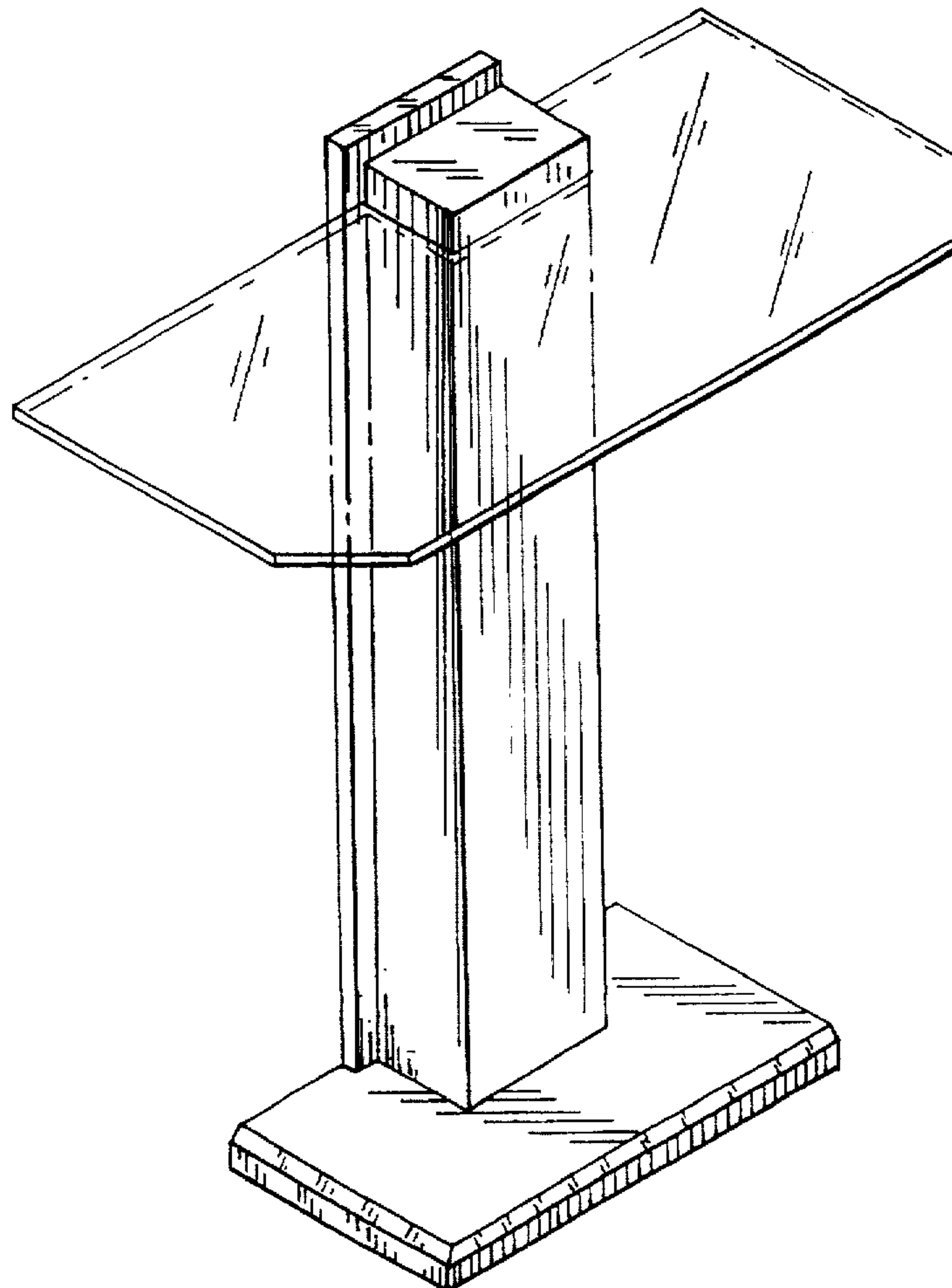
[57] **CLAIM**

The ornamental design for a coffee table, as shown and described.

DESCRIPTION

FIG. 1 is a perspective view of a first embodiment of coffee table according to the invention;
FIG. 2 is a top plan view thereof;
FIG. 3 is a side elevational view thereof;
FIG. 4 is a front elevational view thereof;
FIG. 5 is a side elevational view thereof opposite that of FIG. 3;
FIG. 6 is a rear elevational view thereof;
FIG. 7 is a perspective view of a second embodiment of coffee table according to the invention;
FIG. 8 is a top plan view thereof;
FIG. 9 is a side elevational view thereof;
FIG. 10 is a front elevational view thereof;
FIG. 11 is a side elevational view thereof opposite that of FIG. 9; and,
FIG. 12 is a rear elevational view thereof.

1 Claim, 4 Drawing Sheets



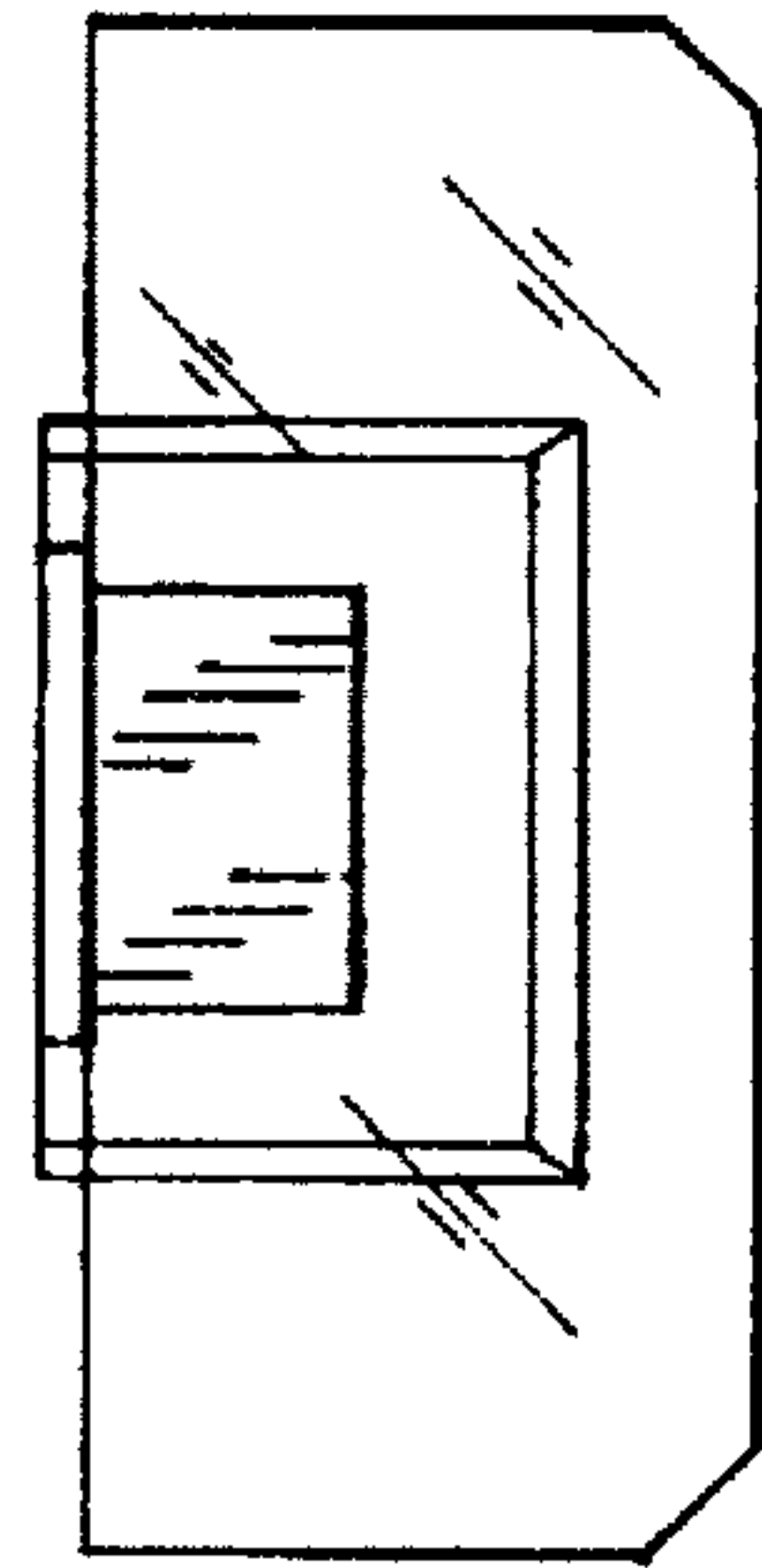


FIG. 2

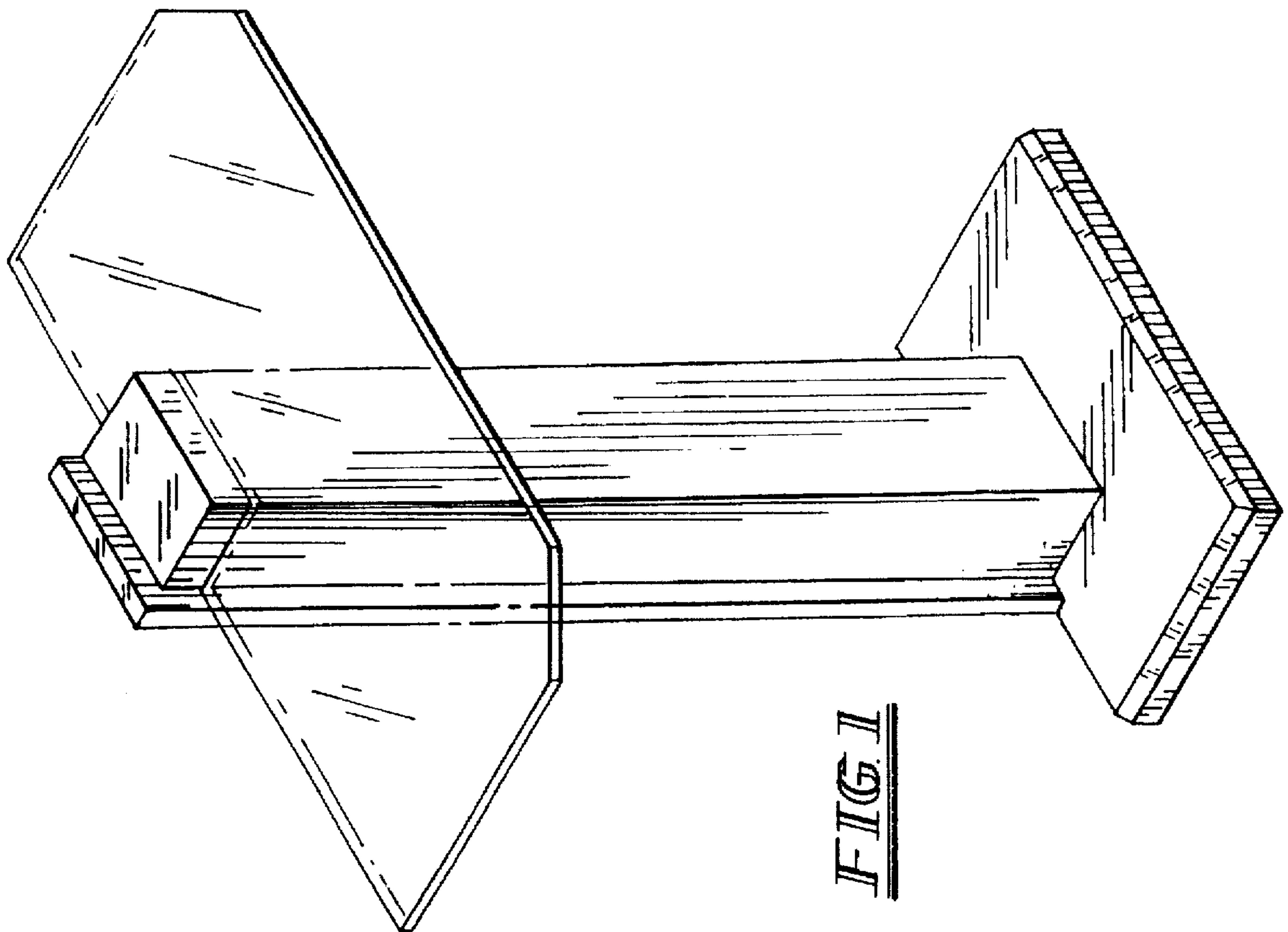


FIG. 1

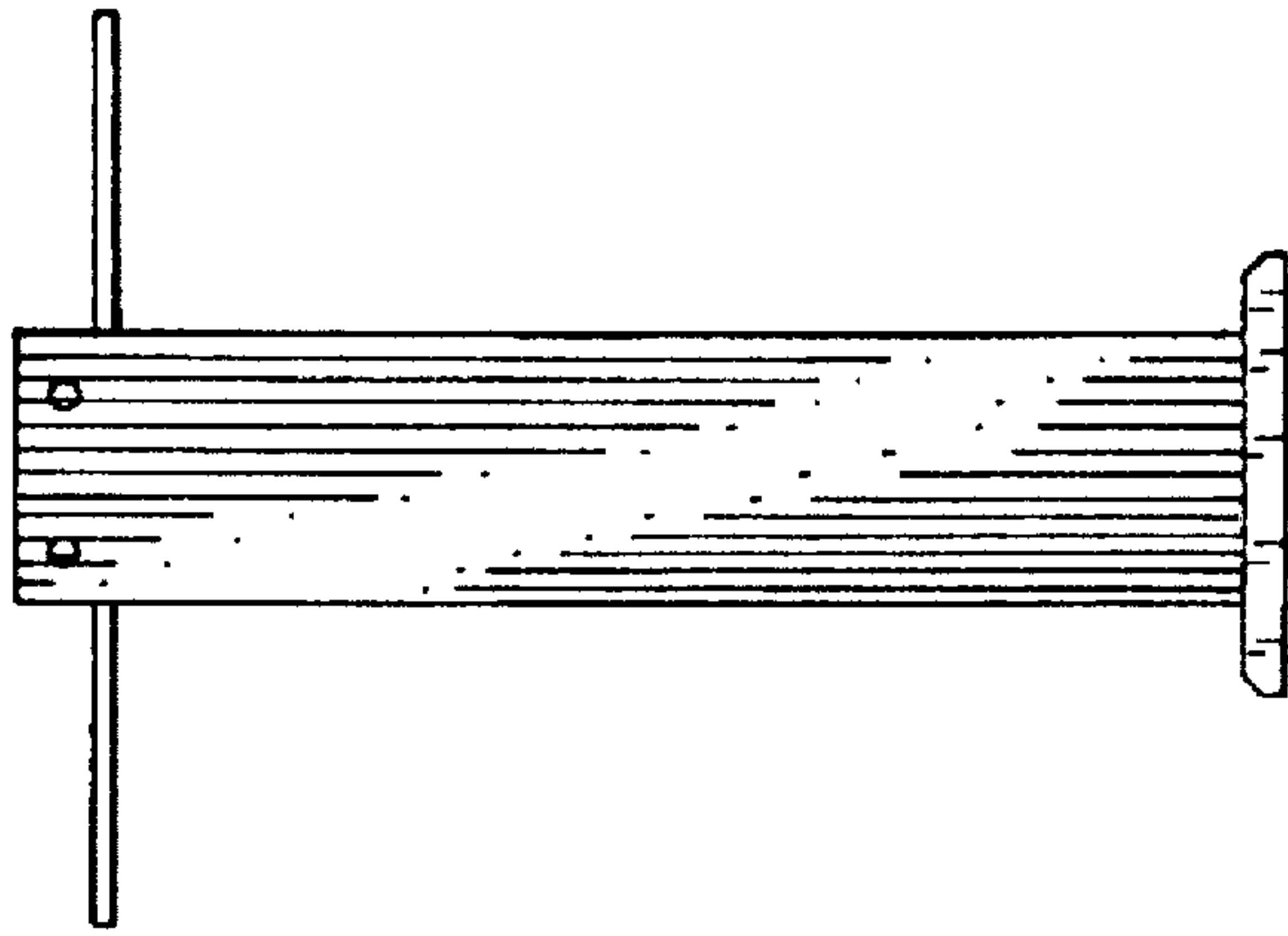


FIG. 6

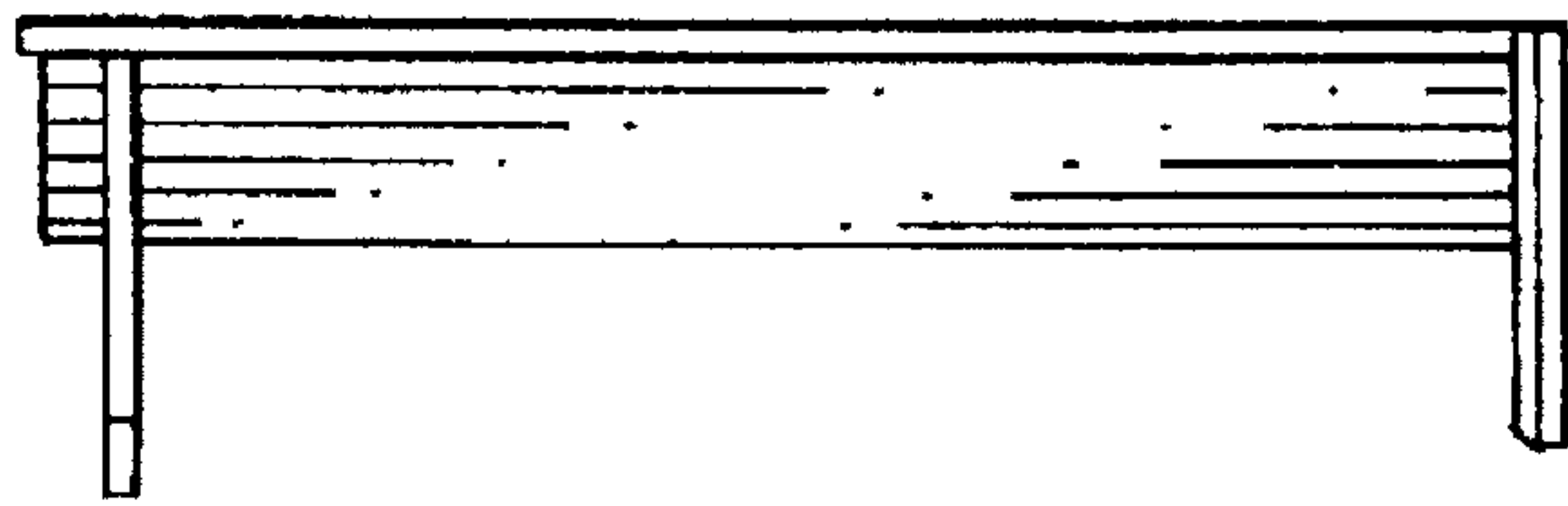


FIG. 5

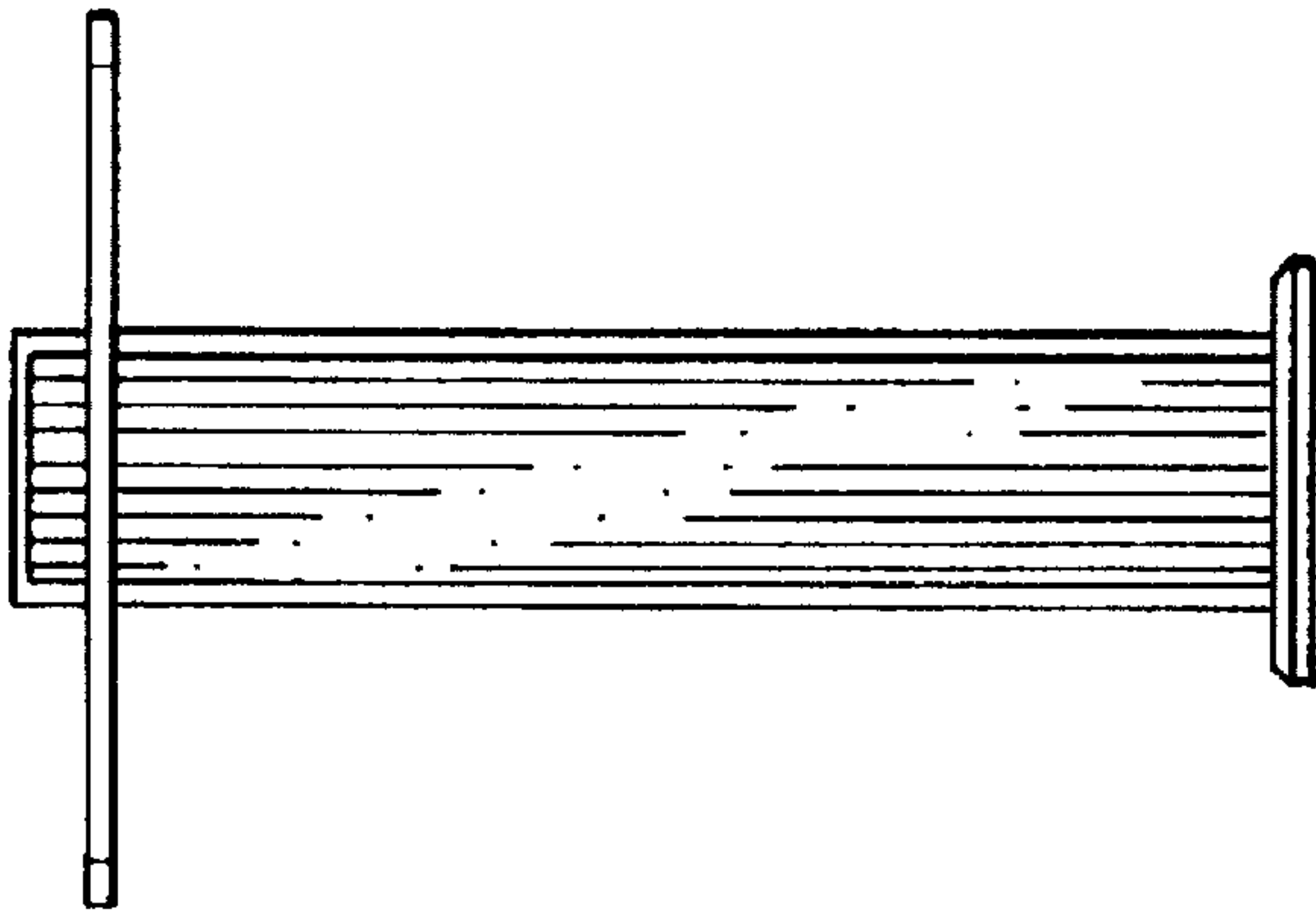


FIG. 4

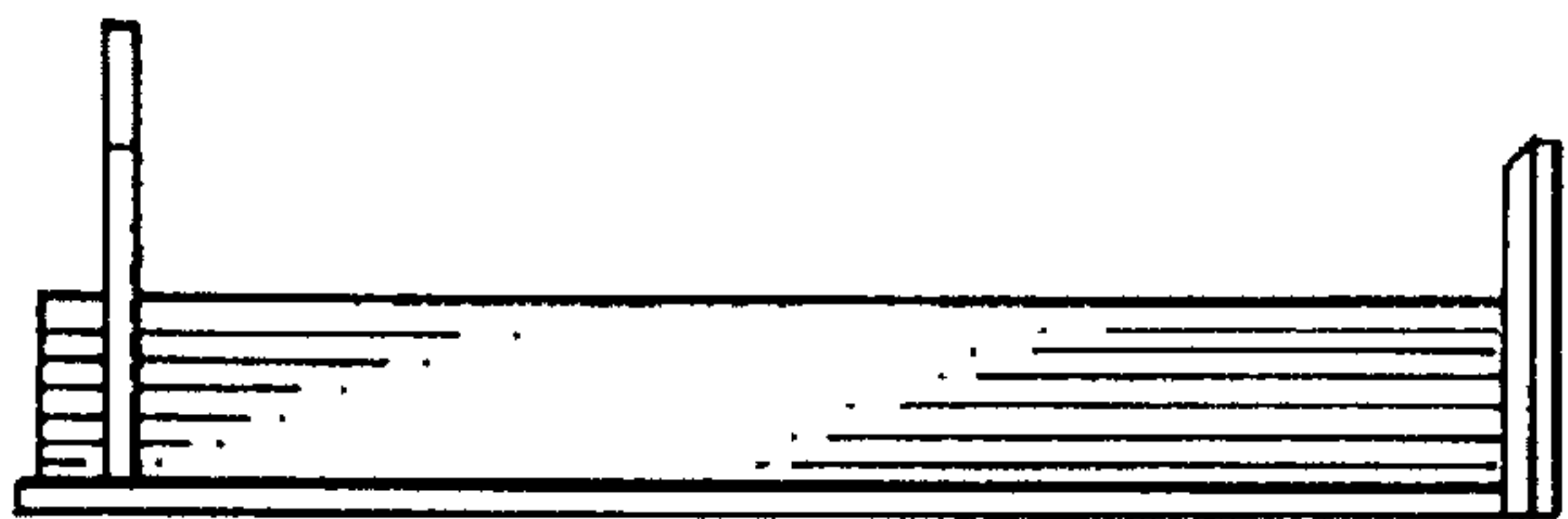


FIG. 3

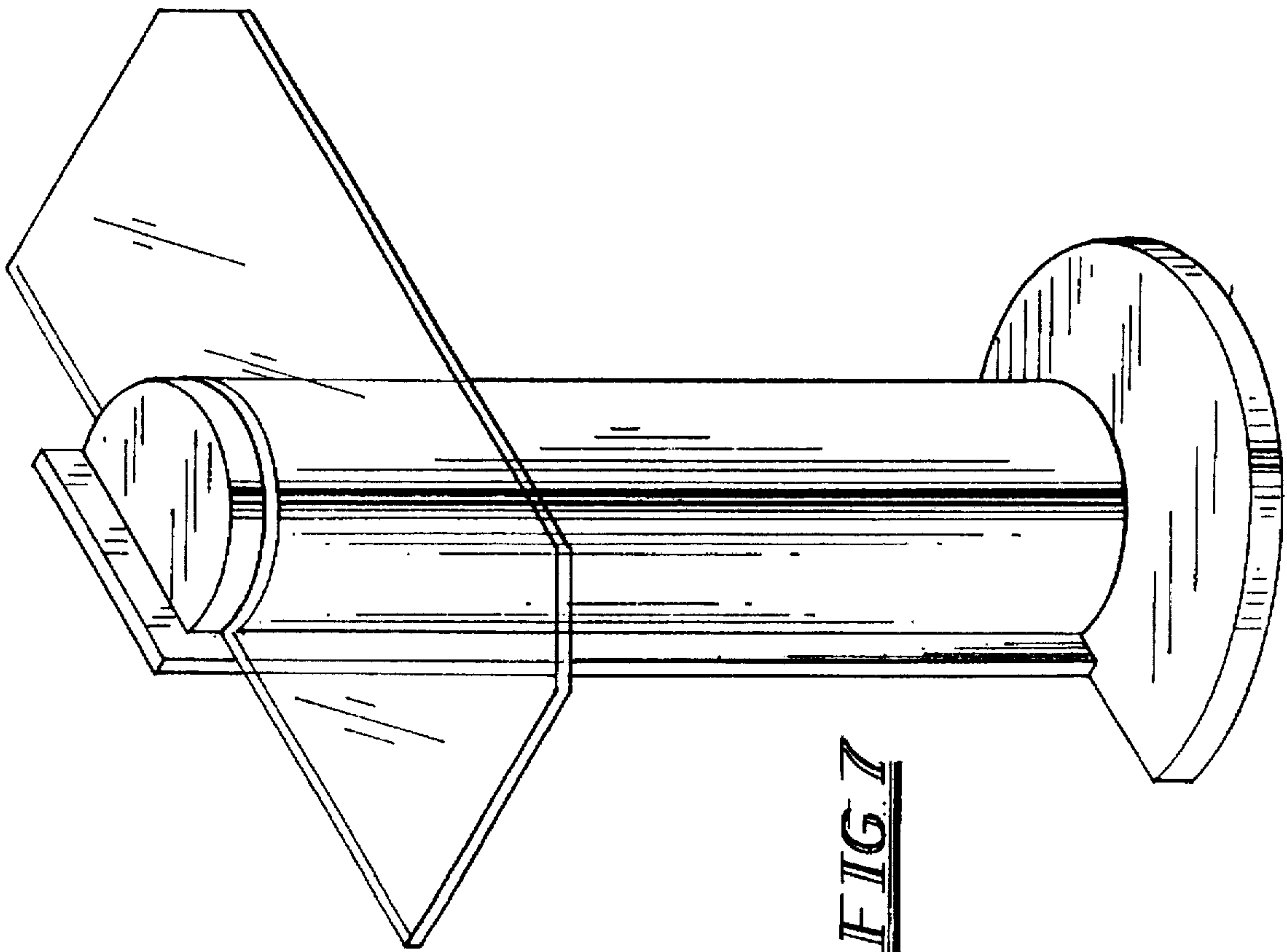


FIG 7

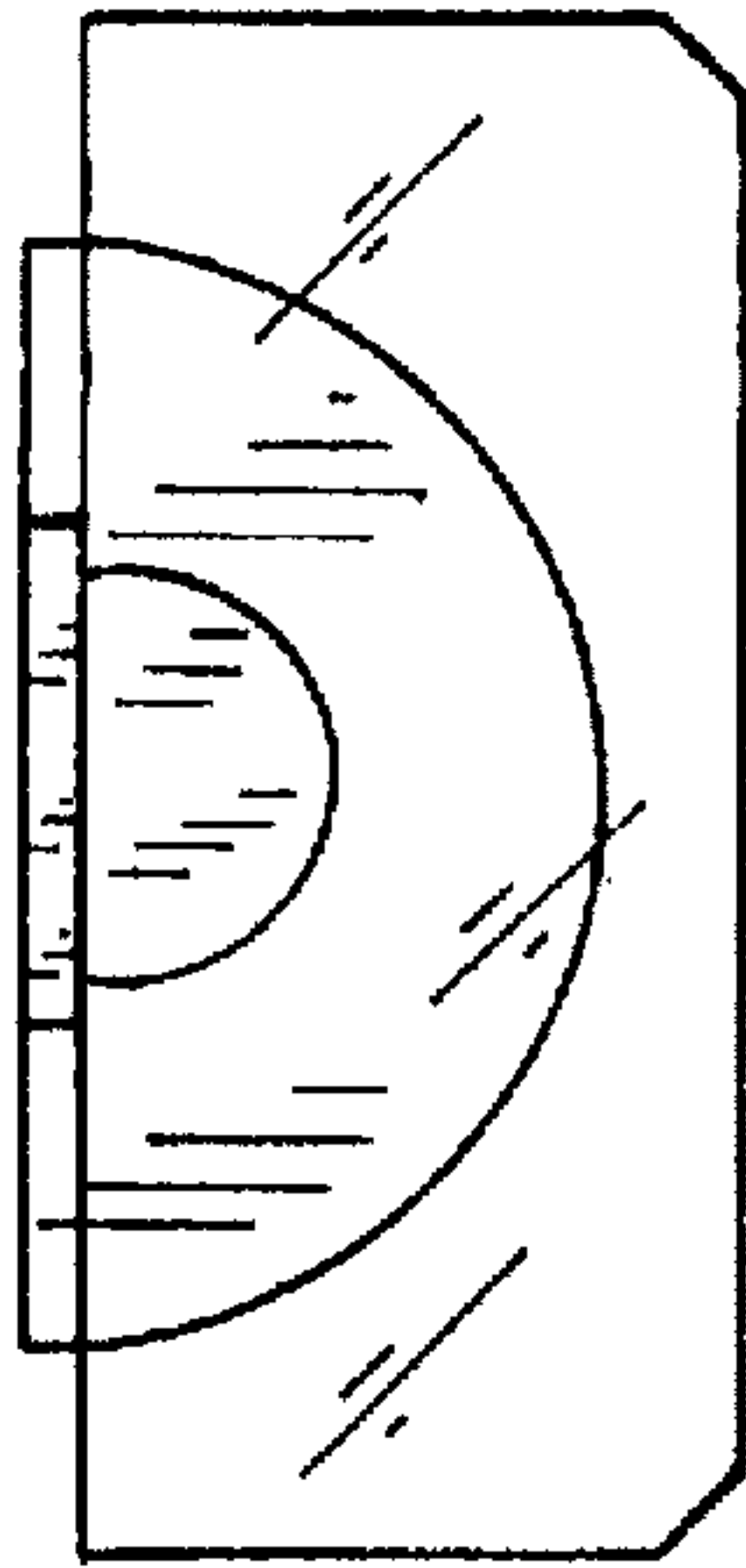


FIG 8

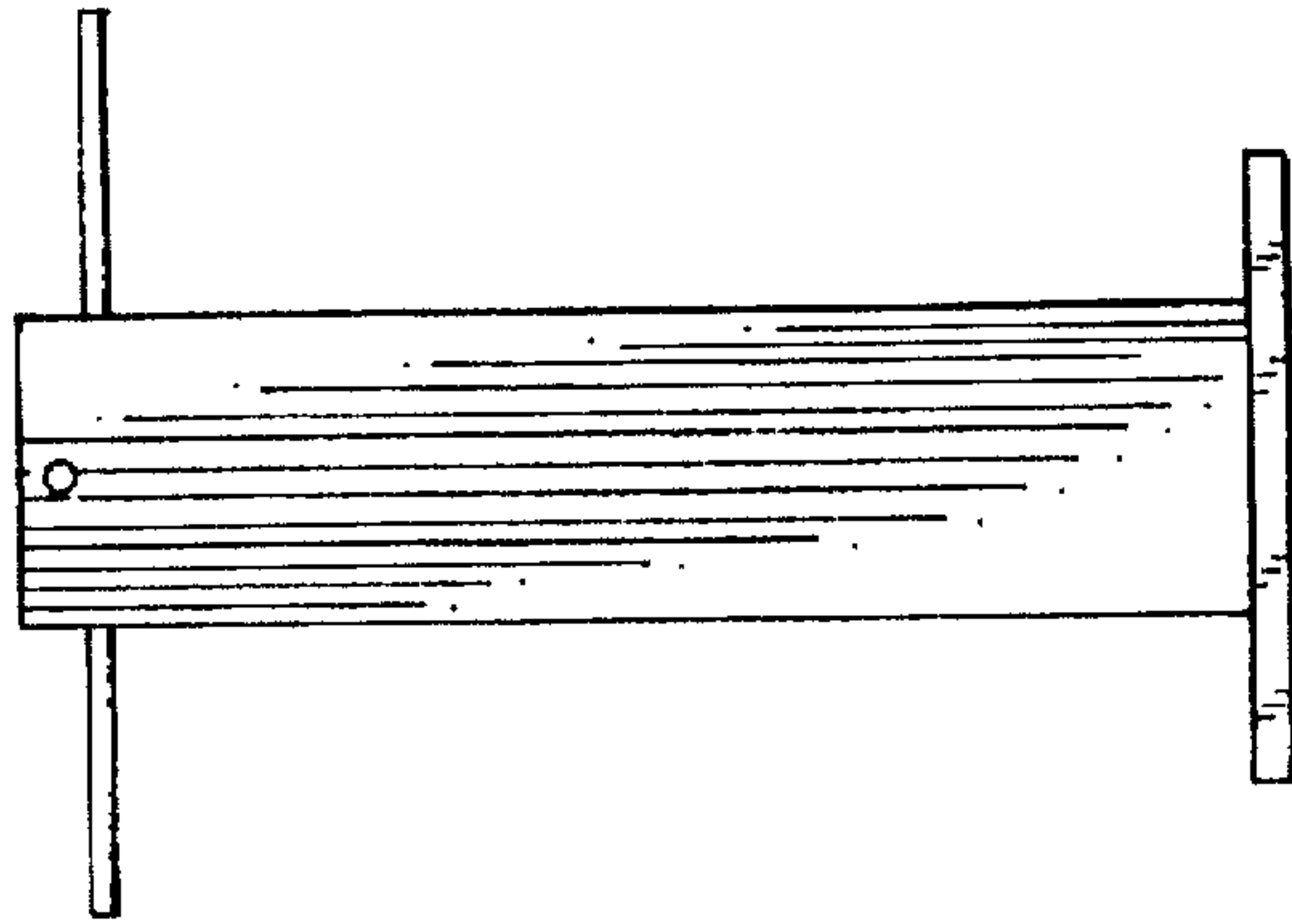


FIG. 12

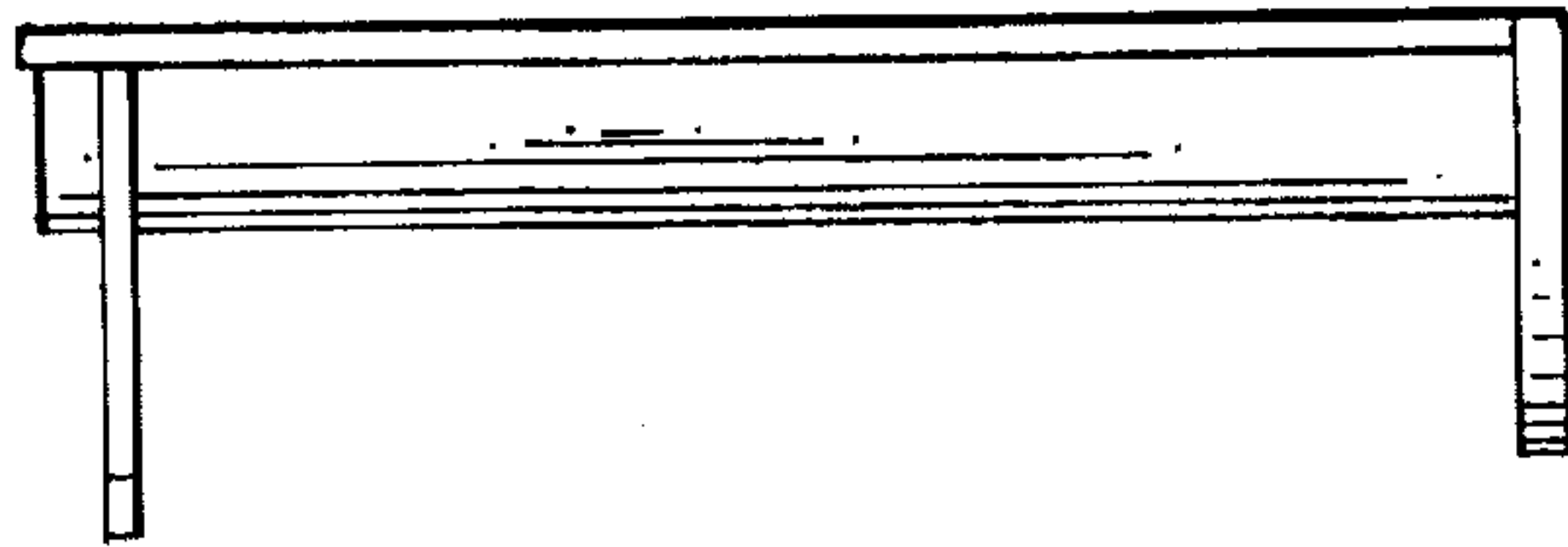


FIG. 11

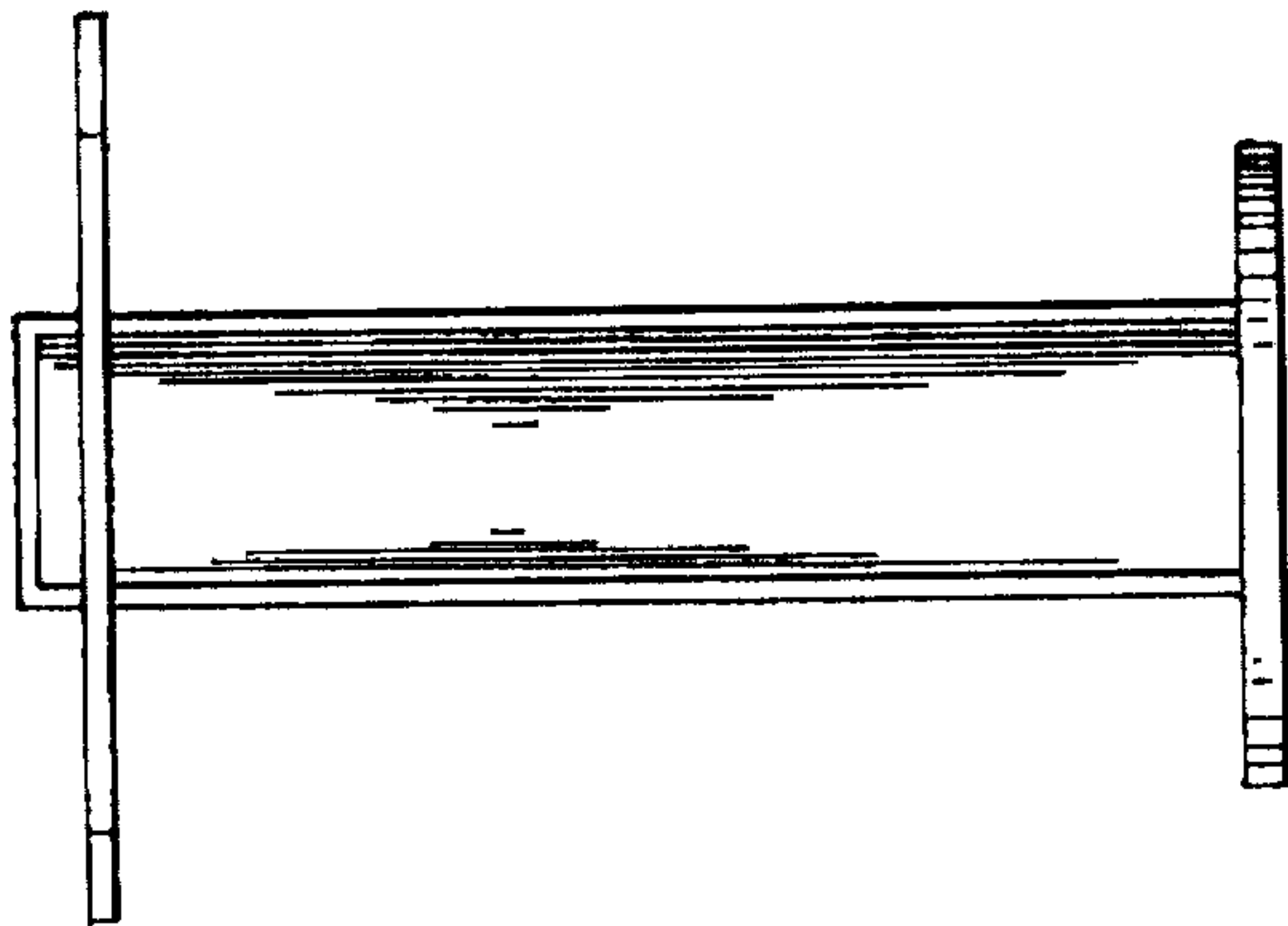


FIG. 10

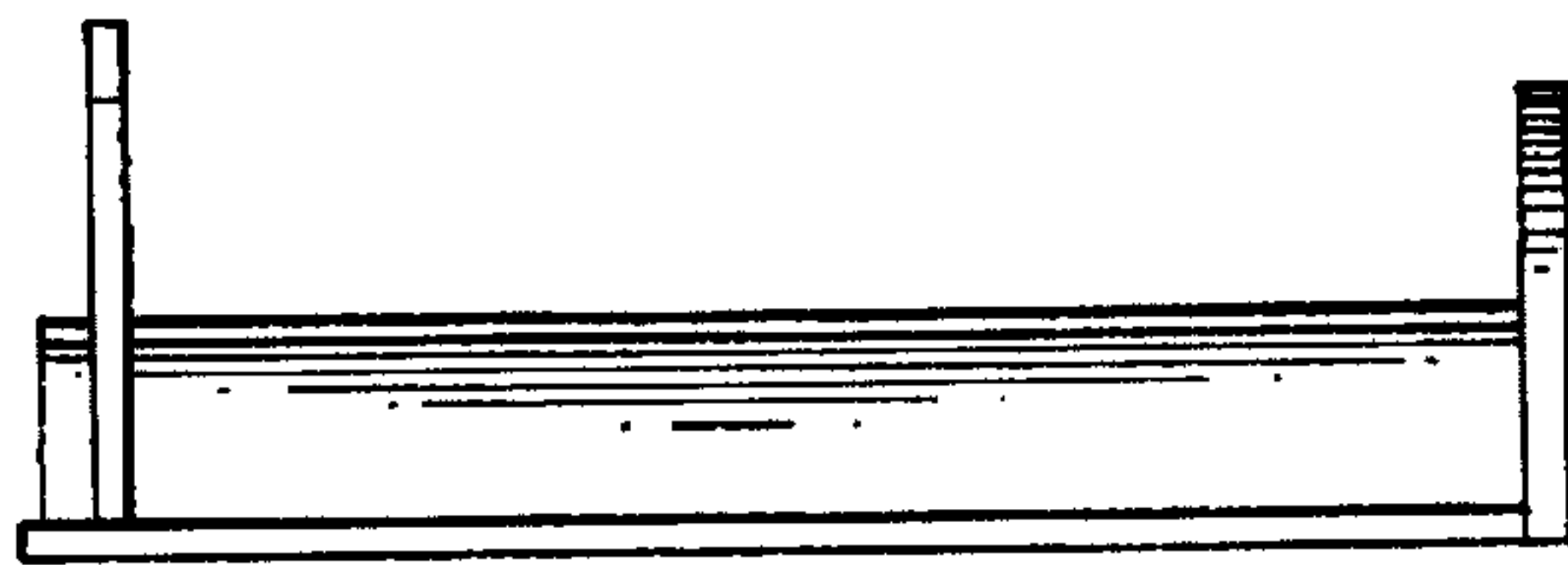


FIG. 9