



US00D392474S

United States Patent [19] Frasketi

[11] Patent Number: Des. 392,474
[45] Date of Patent: **Mar. 24, 1998

[54] BOOK STAND

[76] Inventor: Joseph Frasketi, 2043 Maravilla Cir.,
Fort Myers, Fla. 33901

[**] Term: 14 Years

[21] Appl. No.: 67,875

[22] Filed: Mar. 17, 1997

[51] LOC (6) Cl. 06-04

[52] U.S. Cl. D6/419

[58] Field of Search D6/419, 420, 406,
D6/300, 310-314; 248/441.1, 463, 451,
444.1; D19/91, 90, 88, 92; 211/42, 40

[56] References Cited

U.S. PATENT DOCUMENTS

D. 231,496	4/1974	Saltz	D19/92
D. 287,862	1/1987	Hauser et al. .	
D. 320,319	10/1991	Brothers et al.	D6/419
1,169,869	2/1916	Richards .	
1,182,809	5/1916	Sonn .	
1,812,318	6/1931	Bower .	
2,490,356	12/1949	Hummel	248/463
2,802,295	8/1957	Kraus .	
3,086,658	4/1963	Palmer .	
3,176,953	4/1965	Magers .	

4,555,128 11/1985 White et al. .
4,844,264 7/1989 Deskiewicz, Jr. .
5,492,299 2/1996 Thermos et al. .

OTHER PUBLICATIONS

Schoner Wohnen Catalog, lectern at left side of page 76, Jan. 1989.

Primary Examiner—James Gandy
Assistant Examiner—Linda Brooks
Attorney, Agent, or Firm—Sughrue, Mion, Zinn, Macpeak & Seas, PLLC

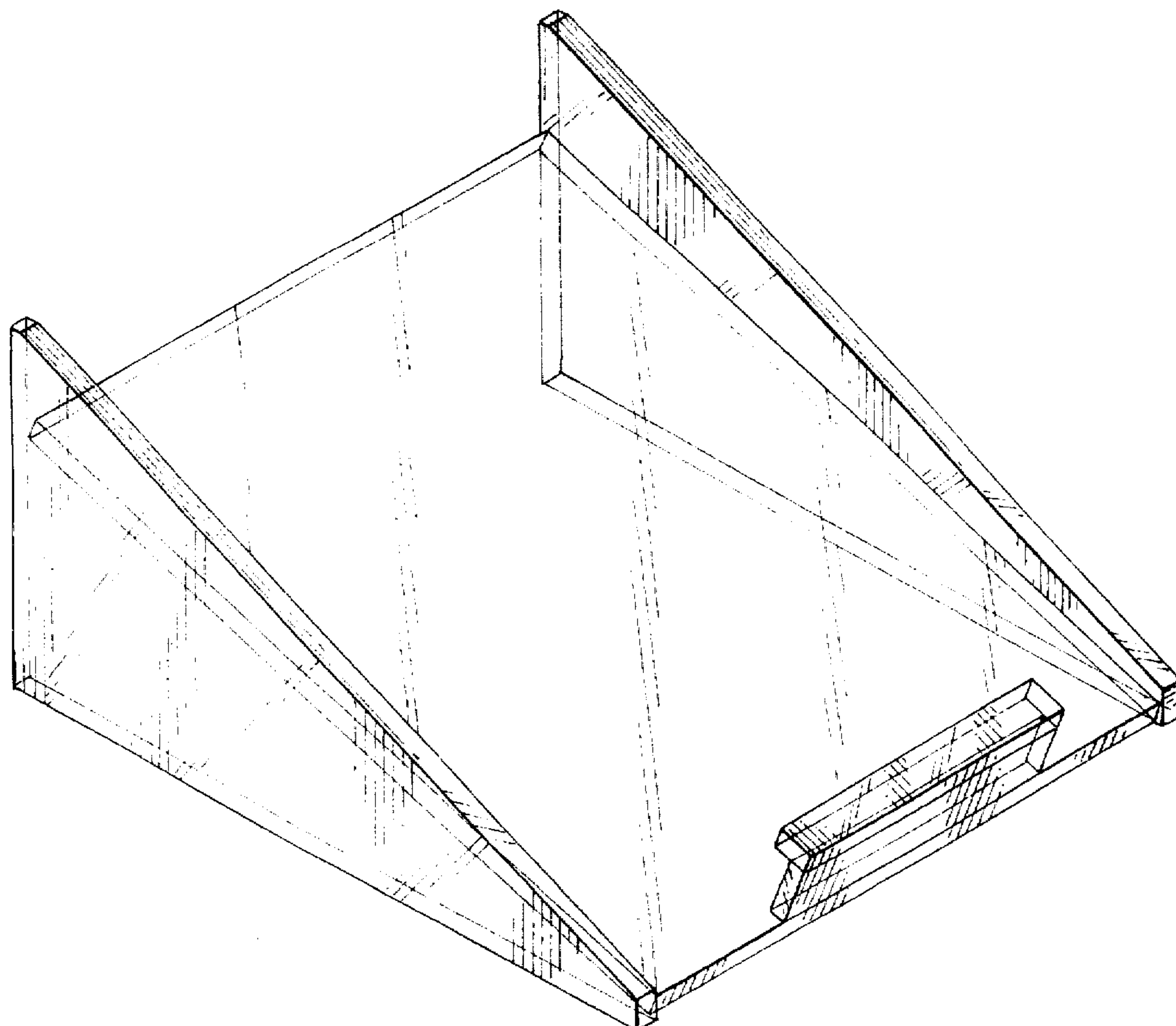
[57] CLAIM

The ornamental design for a book stand, as shown and described.

DESCRIPTION

FIG. 1 is a perspective view of a book stand;
FIG. 2 is a side elevational view thereof;
FIG. 3 is a rear elevational view thereof;
FIG. 4 is a perspective view of a second embodiment of my new design, the sole difference being the removal of the protruding lip from the front of the book stand;
FIG. 5 is a side elevational view of FIG. 4; and,
FIG. 6 is a rear elevational view of FIG. 4.

1 Claim, 4 Drawing Sheets



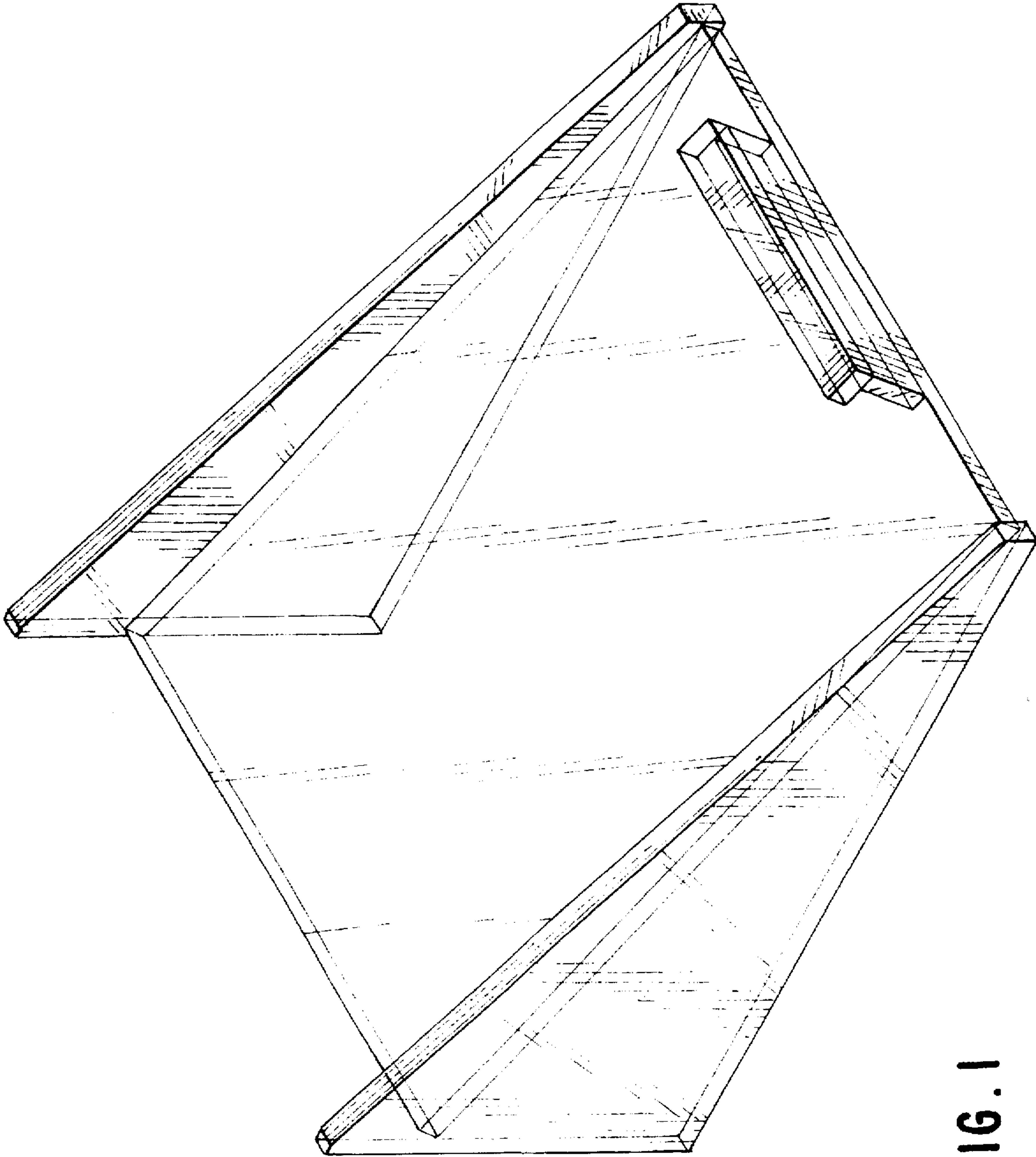


FIG. 1

FIG. 2

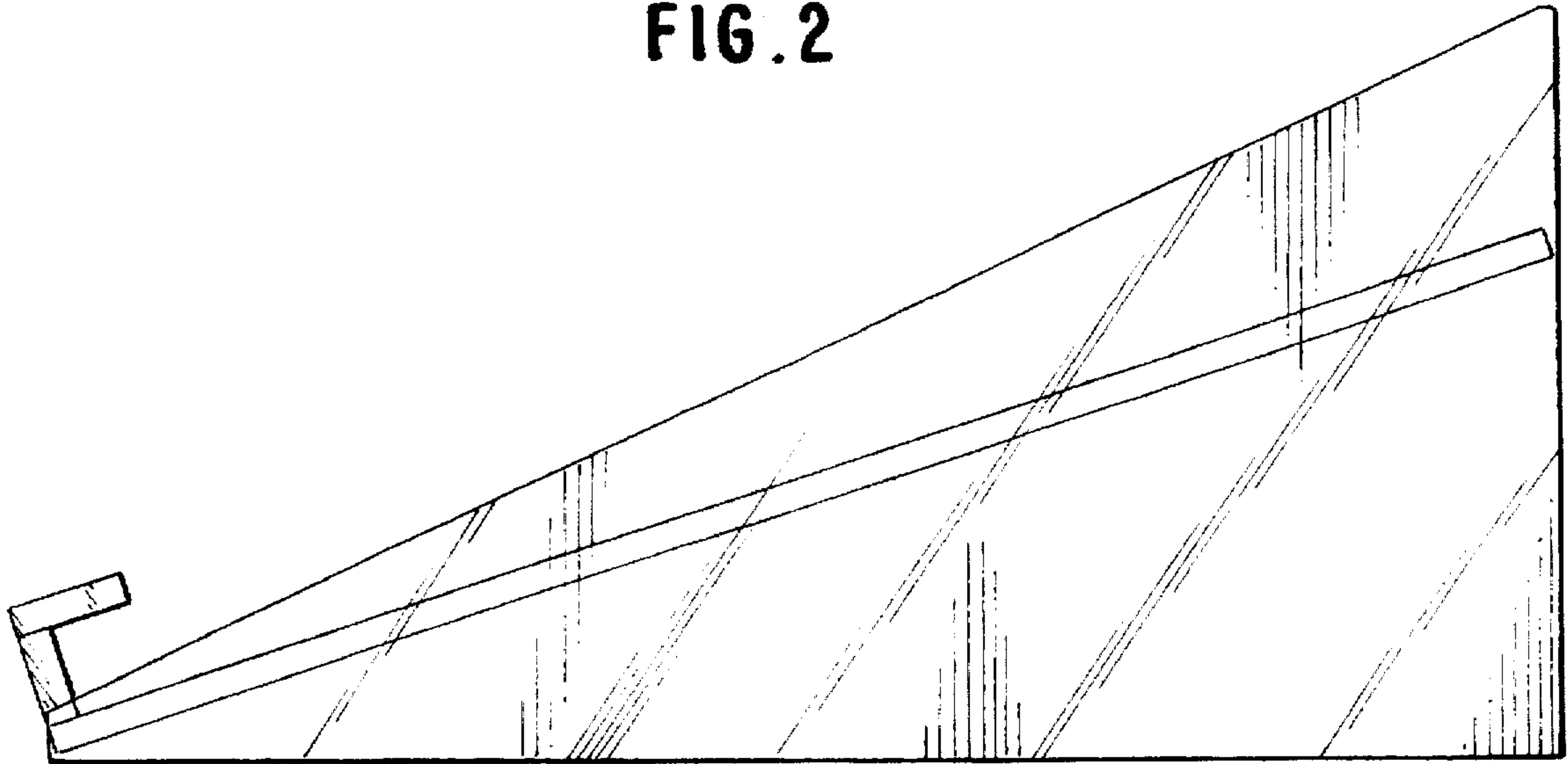
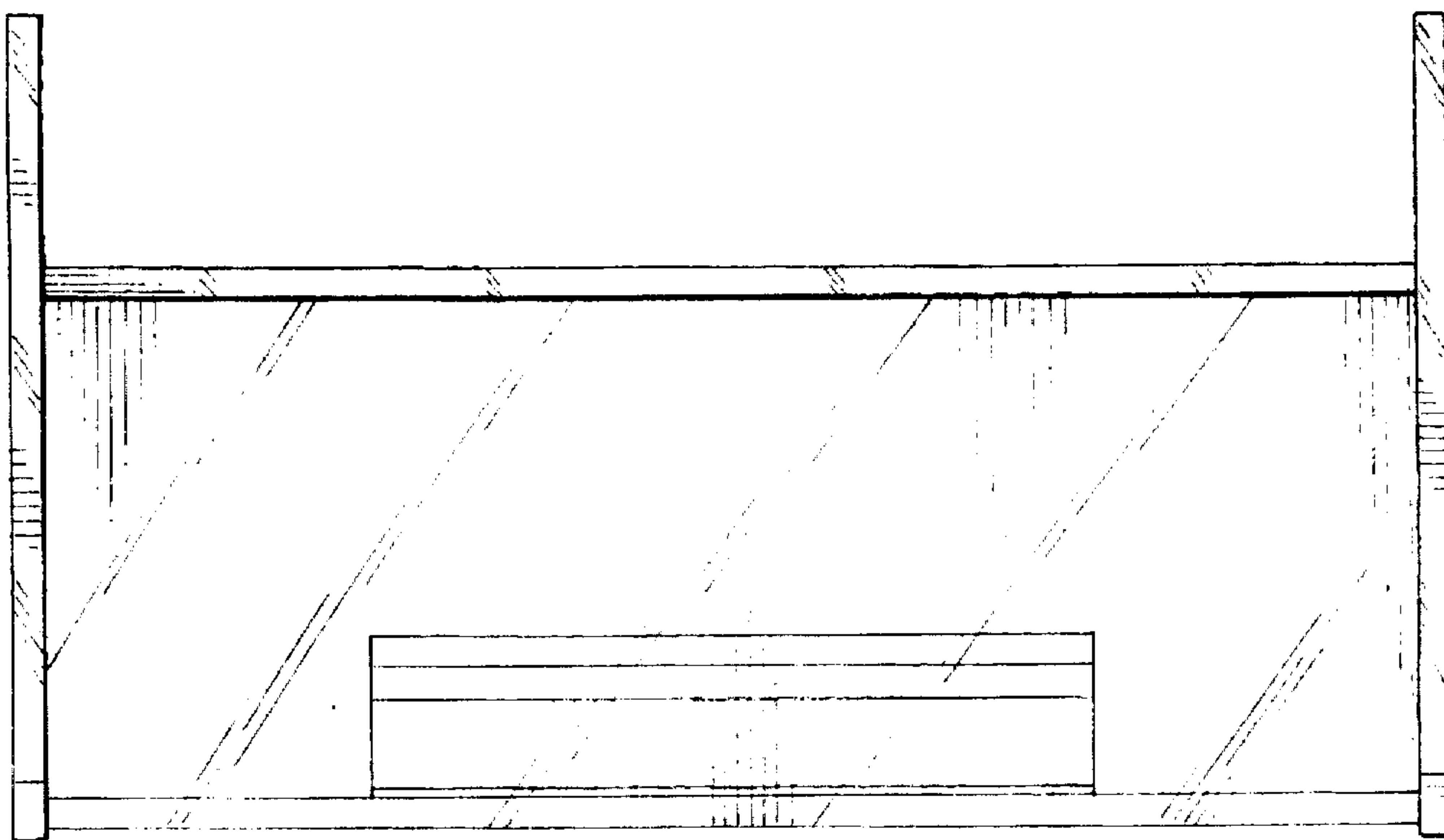


FIG. 3



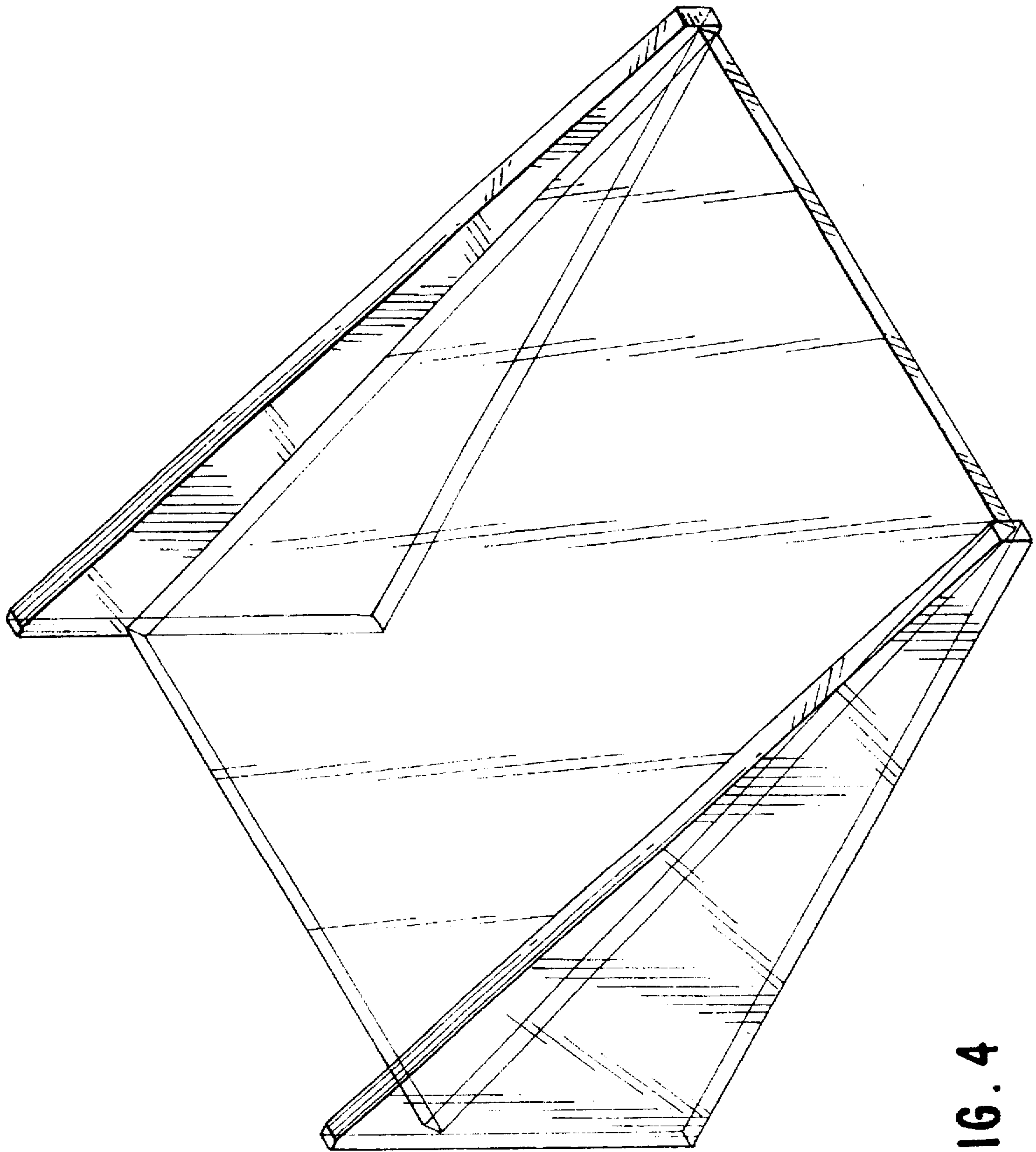


FIG. 4

FIG. 5

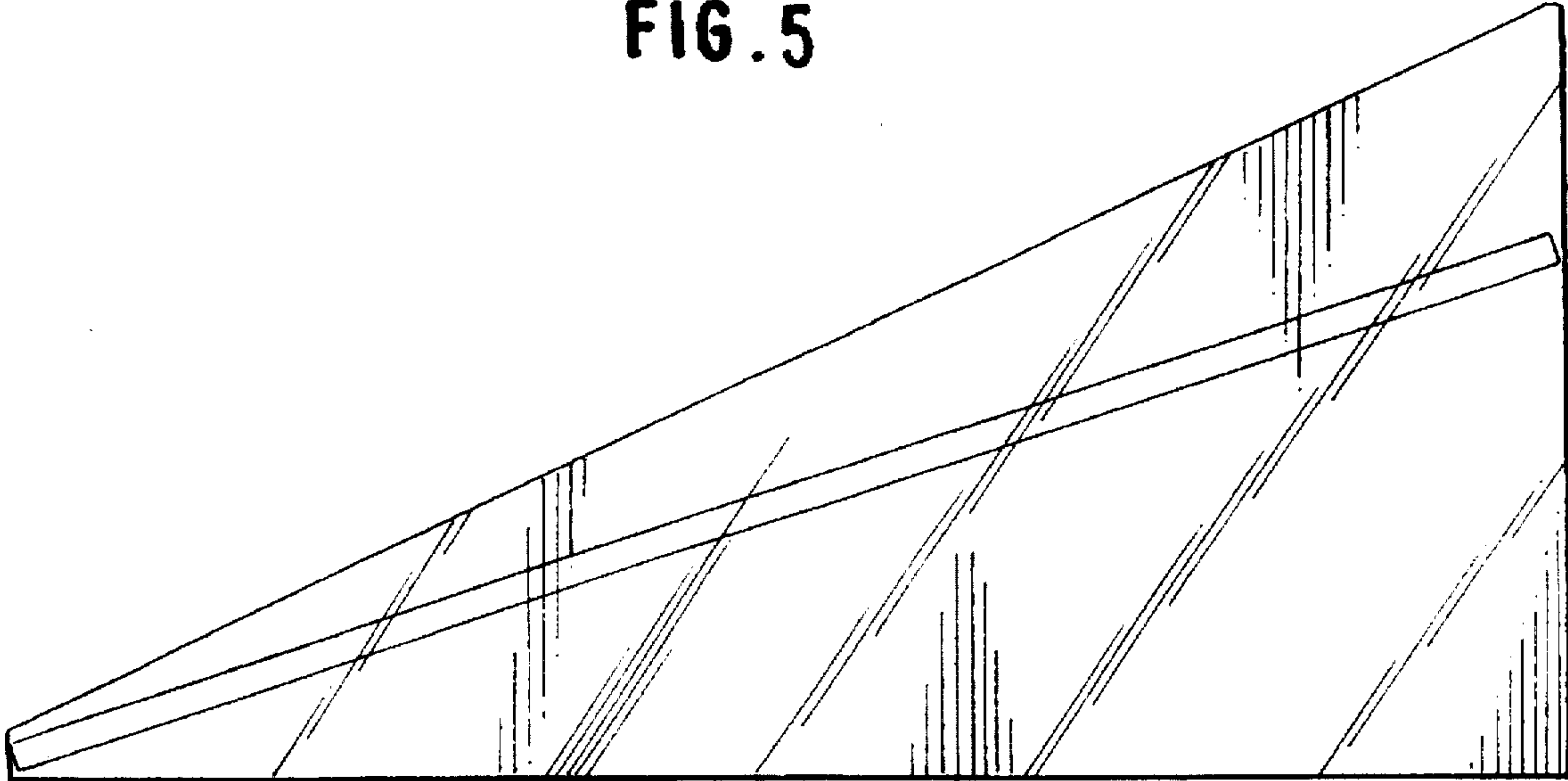


FIG. 6

