



US00D392470S

United States Patent [19] Smith

[11] Patent Number: **Des. 392,470**
[45] Date of Patent: ****Mar. 24, 1998**

- [54] **FIBREBOARD CHAIR WITH ARMS**
- [75] Inventor: **E. Dallas Smith, Indianapolis, Ind.**
- [73] Assignee: **DBX Engineering Corporation, Indianapolis, Ind.**
- [**] Term: **14 Years**
- [21] Appl. No.: **66,329**
- [22] Filed: **Feb. 11, 1997**
- [51] LOC (6) Cl. **06-01**
- [52] U.S. Cl. **D6/334; D6/364**
- [58] Field of Search **D6/334, 335, 364, D6/368, 371, 374, 375, 381, 500, 501, 502; 297/440.1, 440.12**

[56] **References Cited**

U.S. PATENT DOCUMENTS

D. 223,756	6/1972	Steinhart	D6/334
D. 231,880	6/1974	Weinstock	D6/364
D. 234,988	4/1975	Lopez-Benitez	D6/334
D. 243,896	4/1977	Petersilie	D6/334
D. 263,770	4/1982	Melchior	D6/334
D. 342,837	1/1994	Forcolini	D6/334
D. 378,028	2/1997	Schefik	D6/334
2,707,514	5/1955	Smith	155/196
2,806,514	9/1957	Smith	155/191
2,955,647	10/1960	Smith	155/191
3,438,676	4/1969	Brosk	D6/334 X

OTHER PUBLICATIONS

Design 1979/80 Buyer's Guide, p. 6, chair at far right, midpage, frame 5, Jun. 1979.

Primary Examiner—Gary D. Watson
Attorney, Agent, or Firm—Woodard, Emhardt, Naughton, Moriarty & McNett

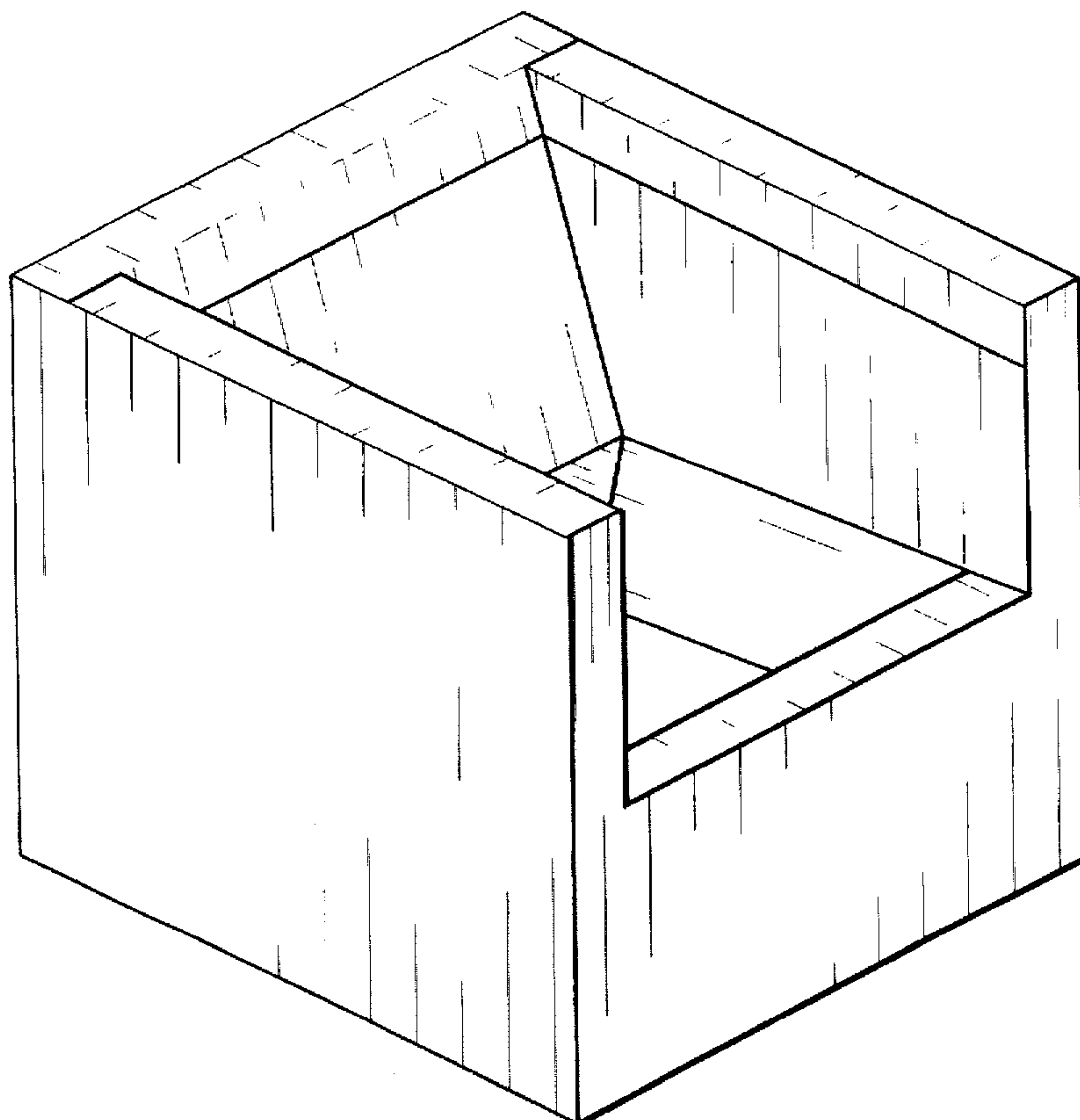
[57] **CLAIM**

The ornamental design for a fibreboard chair with arms, as shown and described.

DESCRIPTION

FIG. 1 is a perspective view of a fibreboard chair with arms showing a typical embodiment of the new design;
 FIG. 2 is a front, elevational view of the fibreboard chair with arms;
 FIG. 3 is a left side, elevational view of the fibreboard chair with arms. The right side, elevational view is a mirror image of the left side, elevational view and therefore is not separately shown;
 FIG. 4 is a back side, elevational view of the fibreboard chair with arms;
 FIG. 5 is a top, plan view of the fibreboard chair with arms; and,
 FIG. 6 is a bottom, plan view of the fibreboard chair with arms.

1 Claim, 6 Drawing Sheets



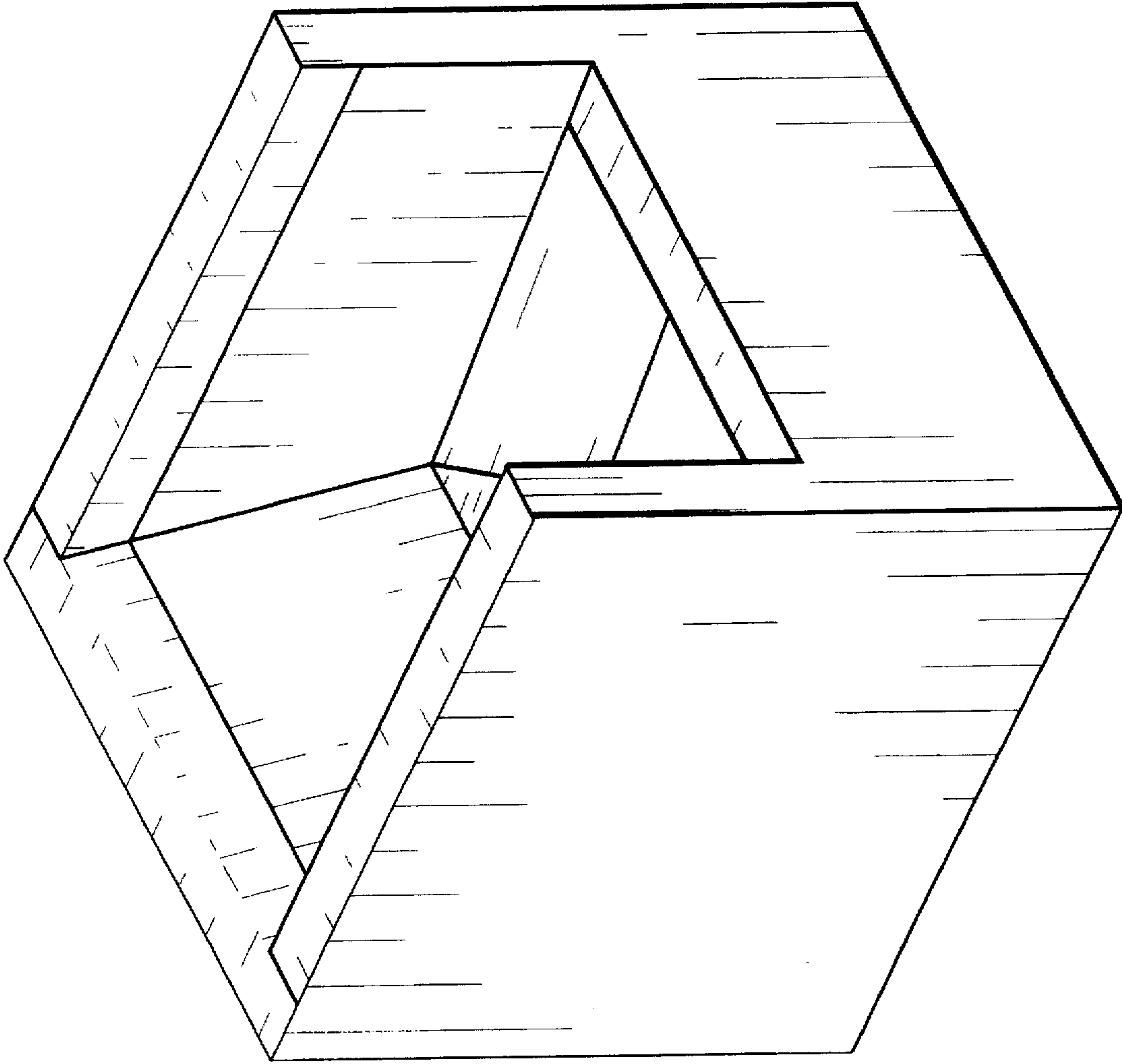


Fig. 1

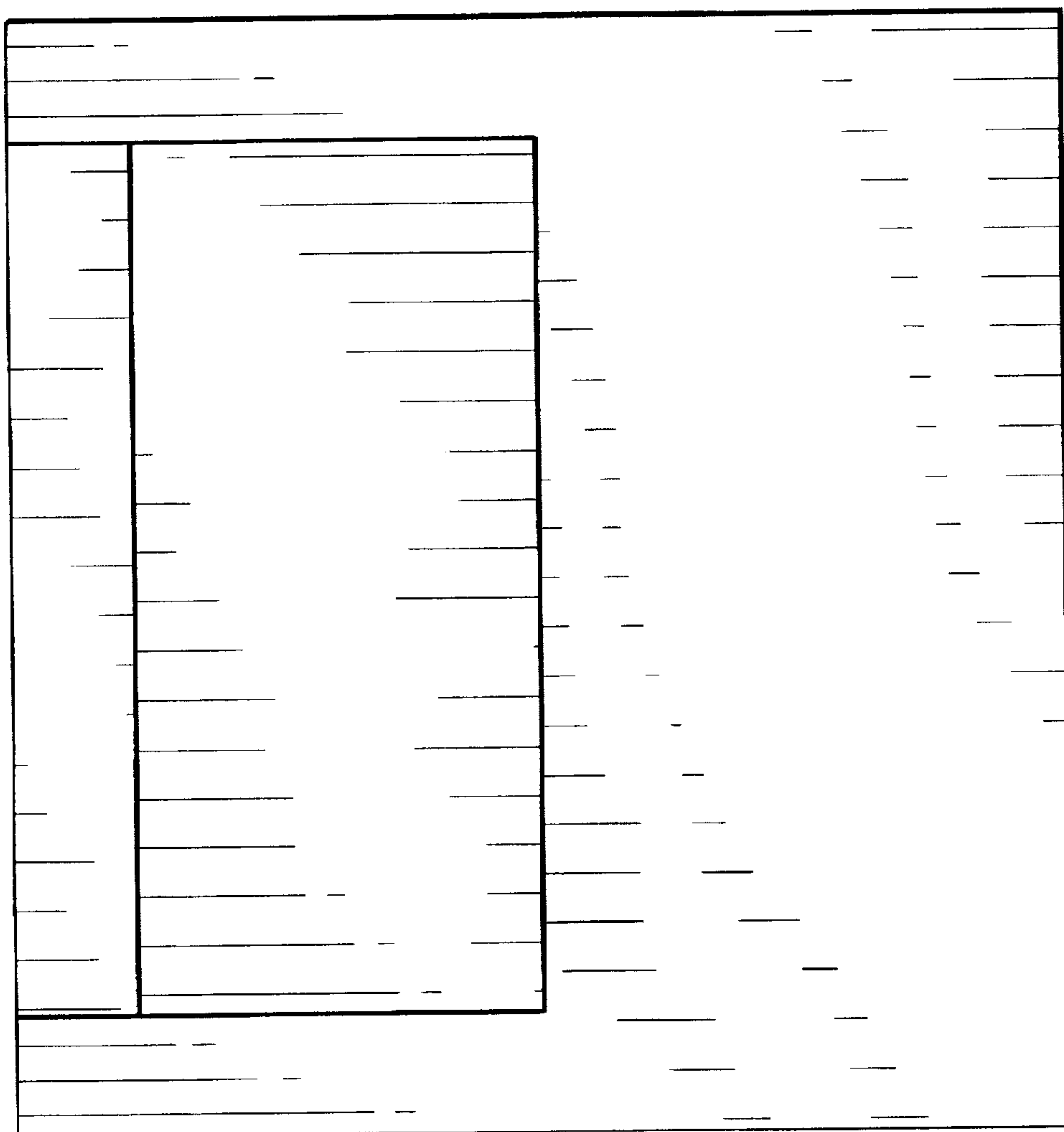


Fig. 2

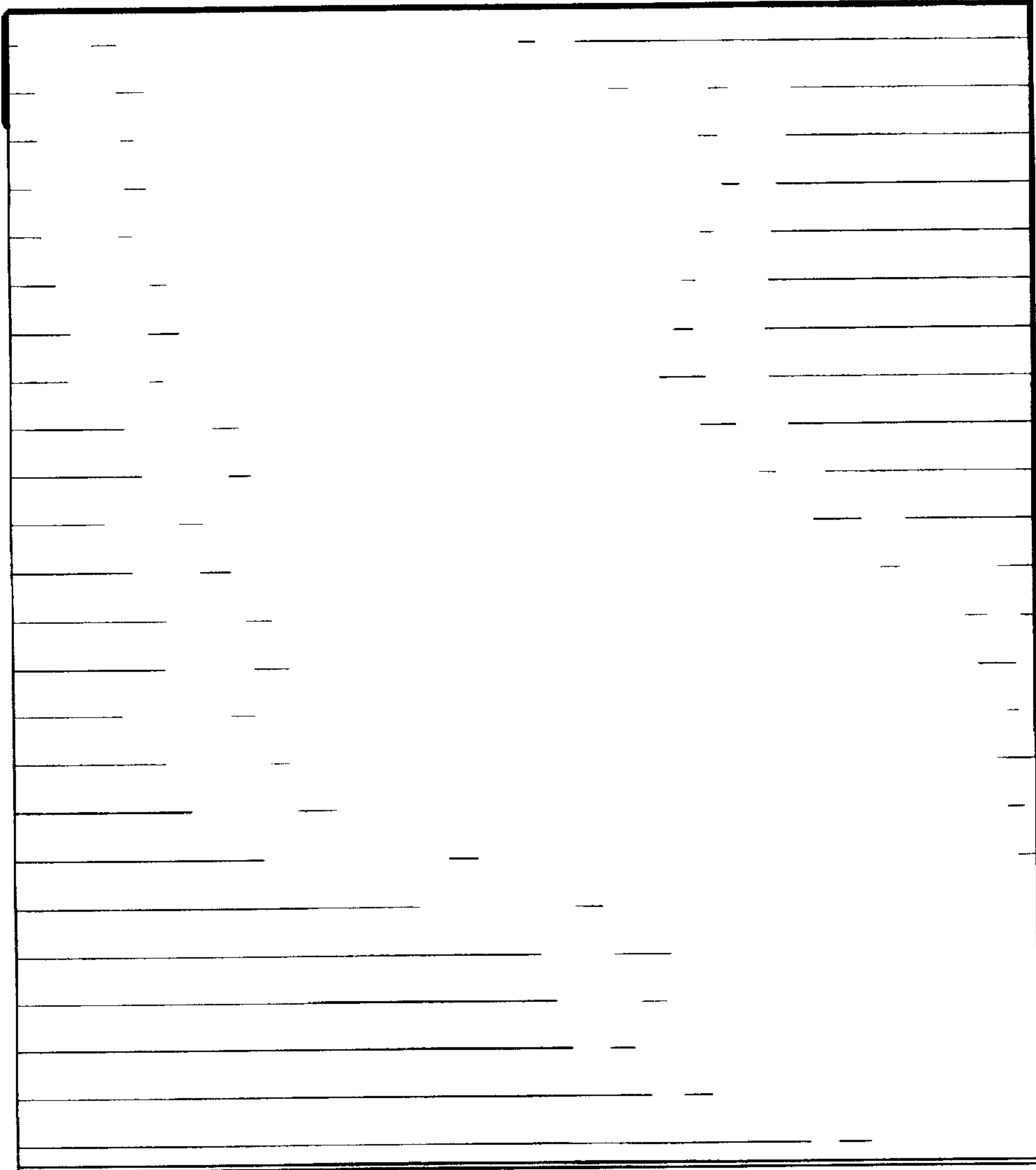


Fig. 3

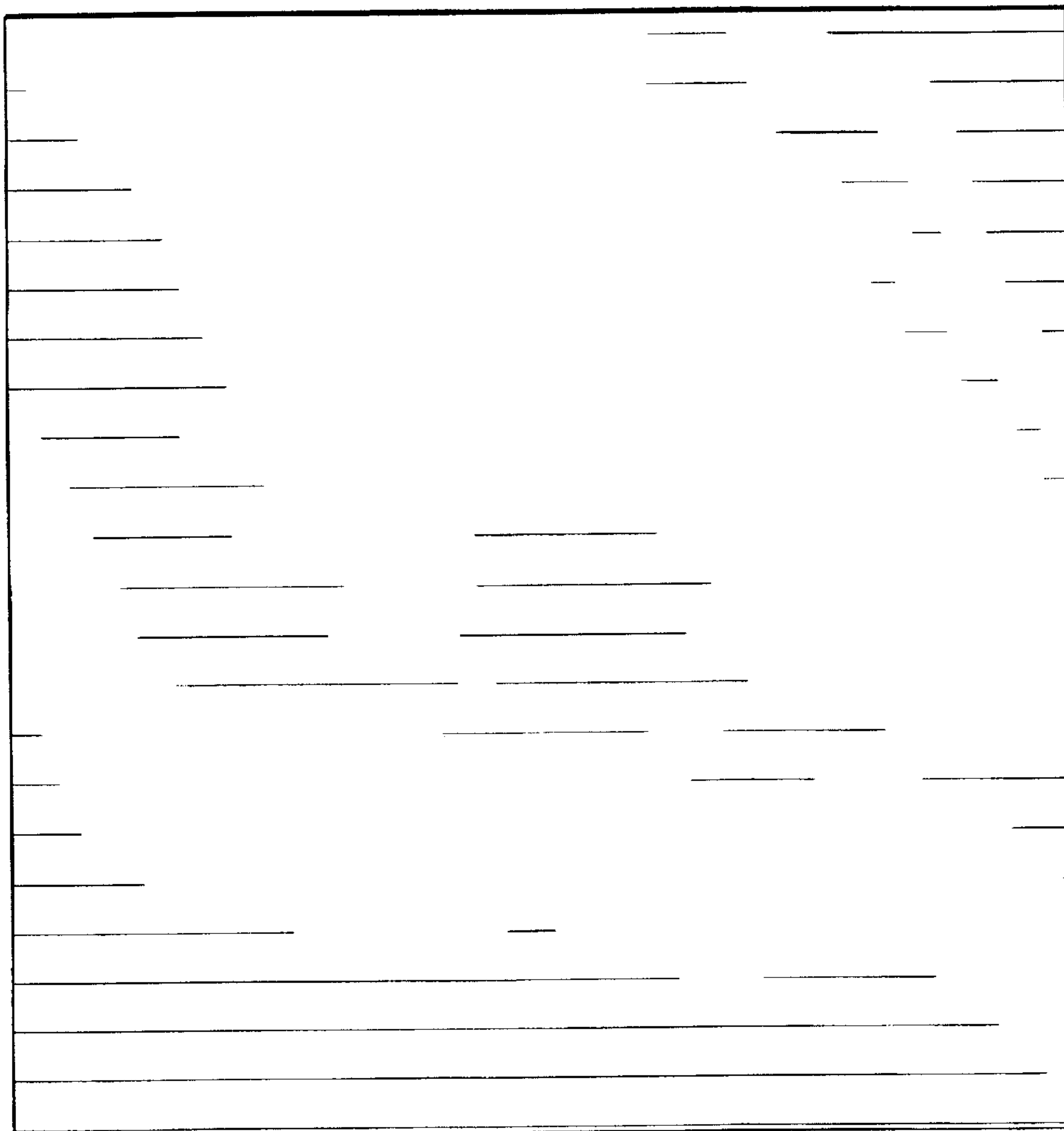


Fig. 4

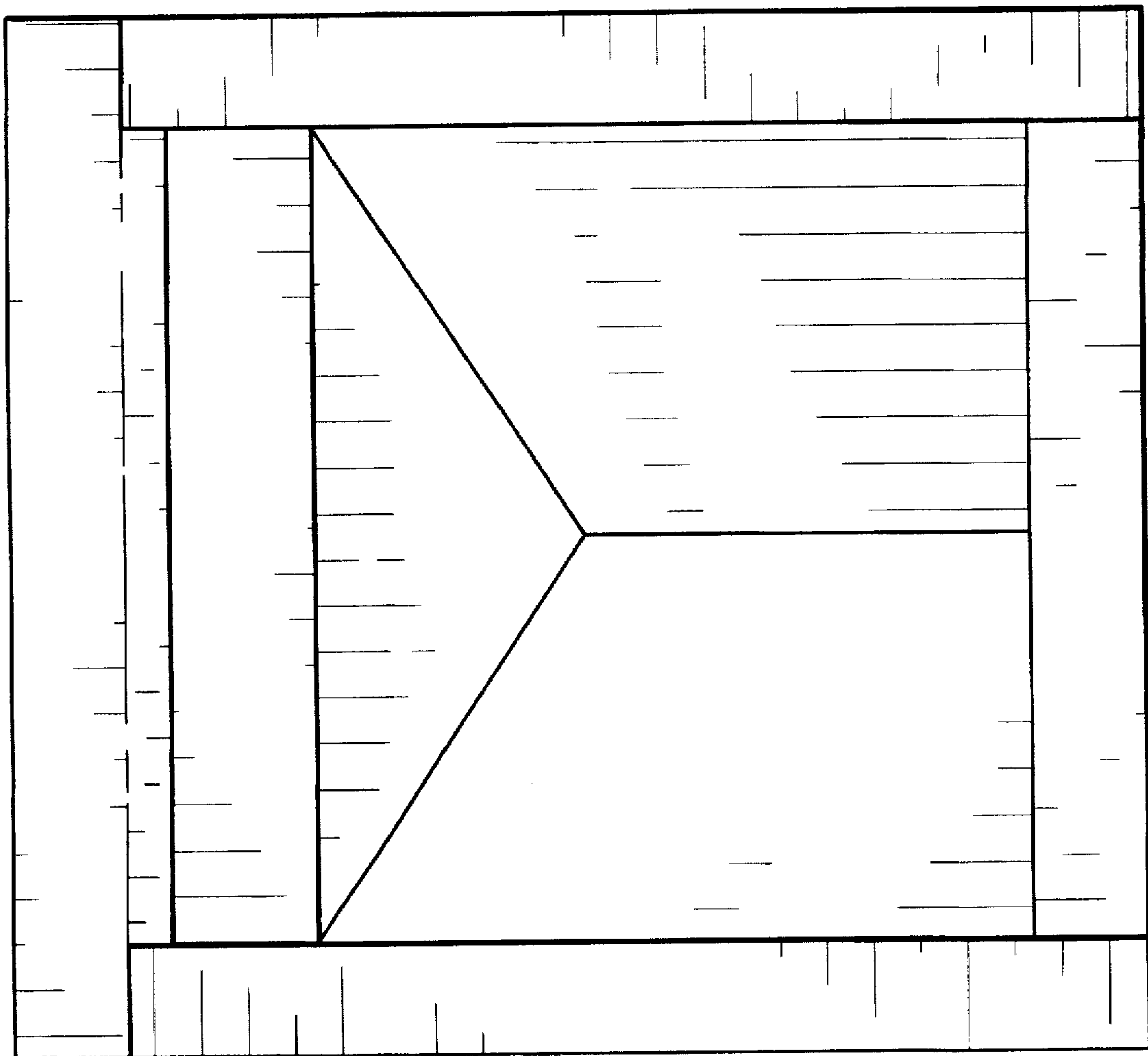


Fig. 5

Fig. 6

