



US00D392460S

United States Patent [19] Hung

[11] Patent Number: **Des. 392,460**
[45] Date of Patent: ****Mar. 24, 1998**

[54] **TOOL CONTAINER**

[75] Inventor: **Cheng-An Hung**, Taichung Hsien, Taiwan

[73] Assignee: **Sopa International Co., Ltd.**, Taichung Hsien, Taiwan

[**] Term: **14 Years**

[21] Appl. No.: **59,565**

[22] Filed: **Sep. 13, 1996**

[51] LOC (6) Cl. **03-01**

[52] U.S. Cl. **D3/270**

[58] Field of Search D8/269, 270, 271;
29/308; D21/129; 206/457, 371, 349, 372,
373

[56] **References Cited**

U.S. PATENT DOCUMENTS

- D. 115,533 7/1939 Stough D9/308
- D. 337,517 7/1993 Hwang D9/308

- D. 337,700 7/1993 Lin D21/129
- D. 354,311 1/1995 Tarozzi D9/308
- D. 364,893 12/1995 Willard et al. D3/271
- 4,753,346 6/1988 Tsuji 206/457
- 4,850,092 7/1989 Newarski 206/373

Primary Examiner—Philip S. Hyder
Attorney, Agent, or Firm—Morton J. Rosenberg; David I. Klein; Jun Y. Lee

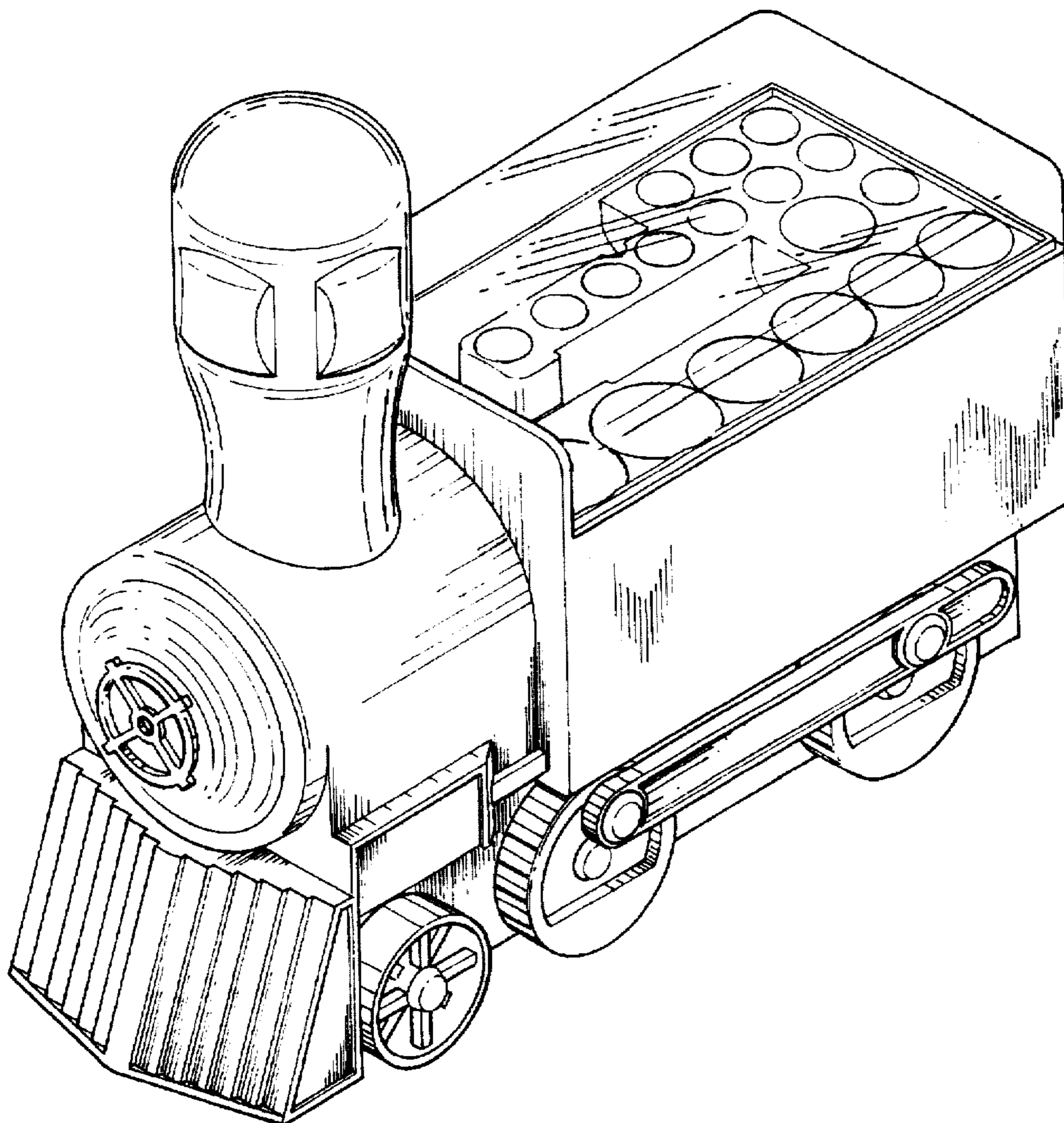
[57] **CLAIM**

The ornamental design for a tool container, as shown and as described.

DESCRIPTION

FIG. 1 is a perspective view of a tool container showing my invention;
FIG. 2 is a front view thereof;
FIG. 3 is a rear view thereof;
FIG. 4 is a left side view thereof, the right side view being a mirror image of it;
FIG. 5 is a top view thereof; and,
FIG. 6 is a bottom view thereof.

1 Claim, 4 Drawing Sheets



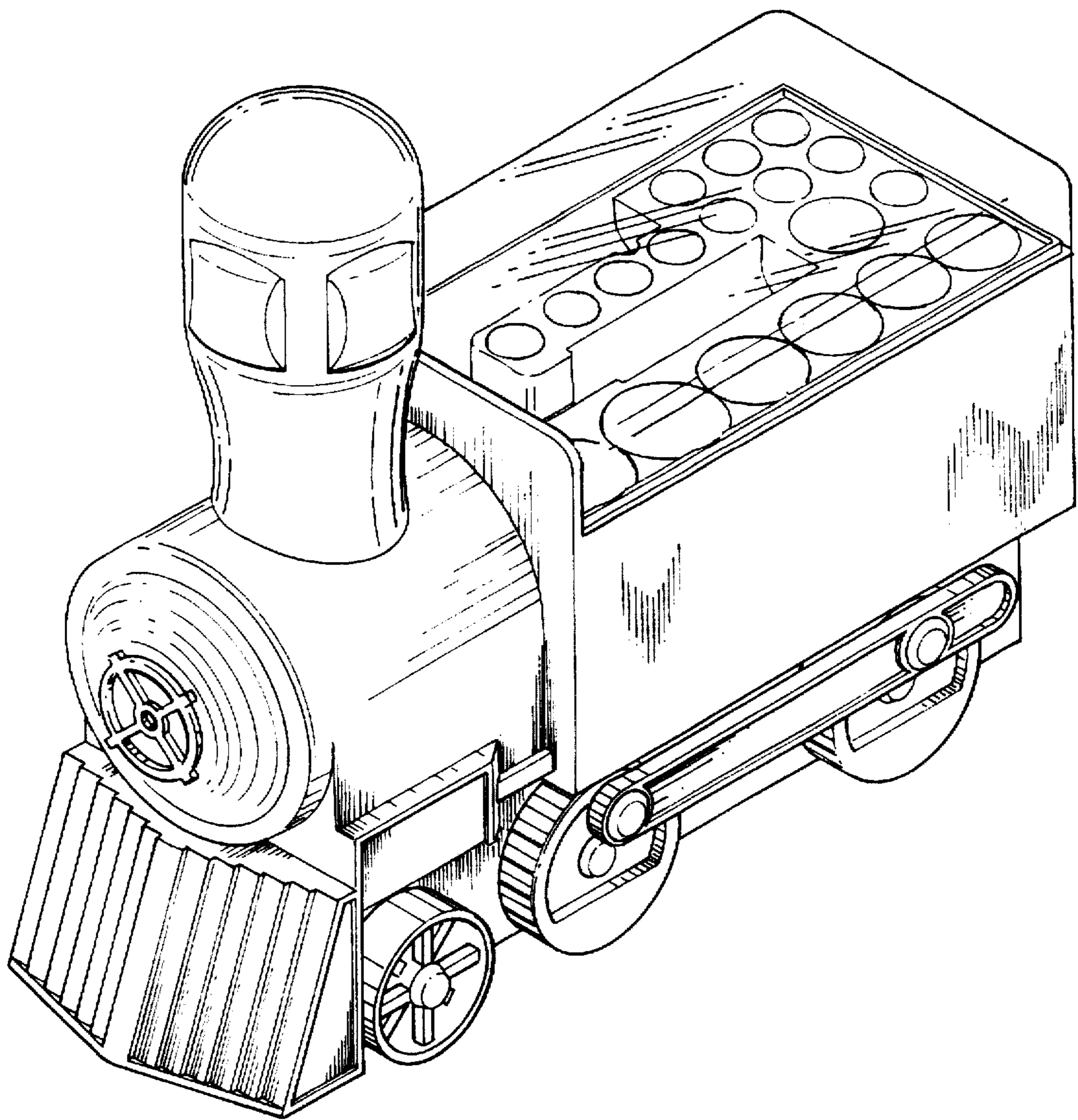


FIG 1

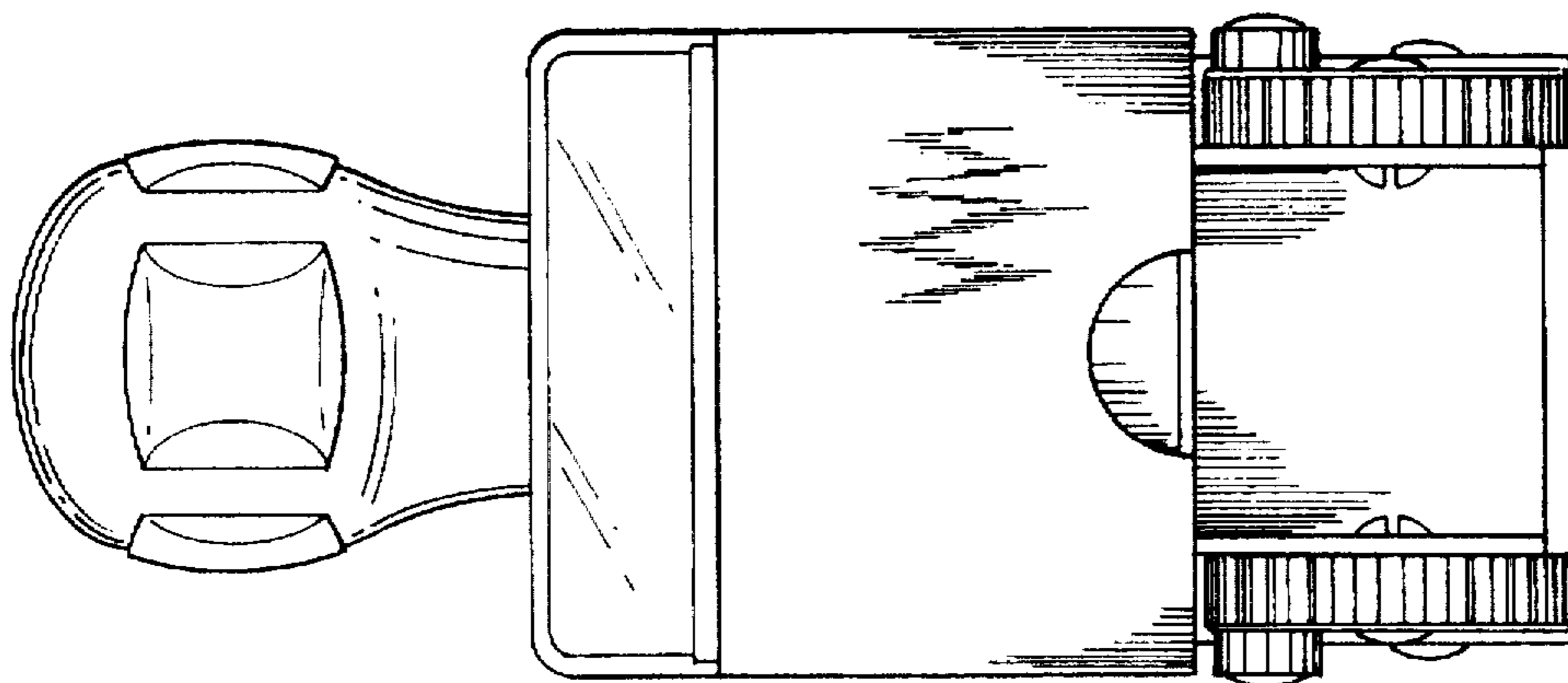


FIG. 3

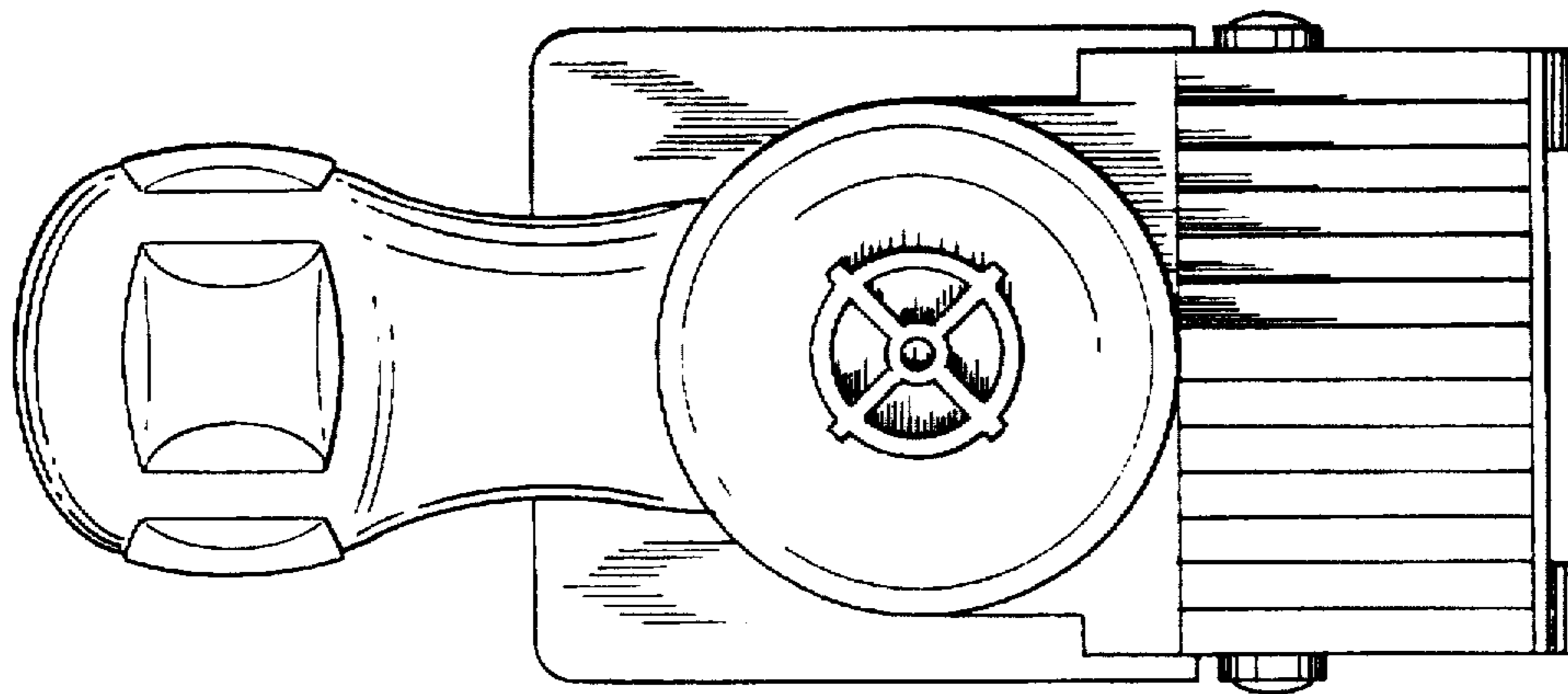


FIG. 2

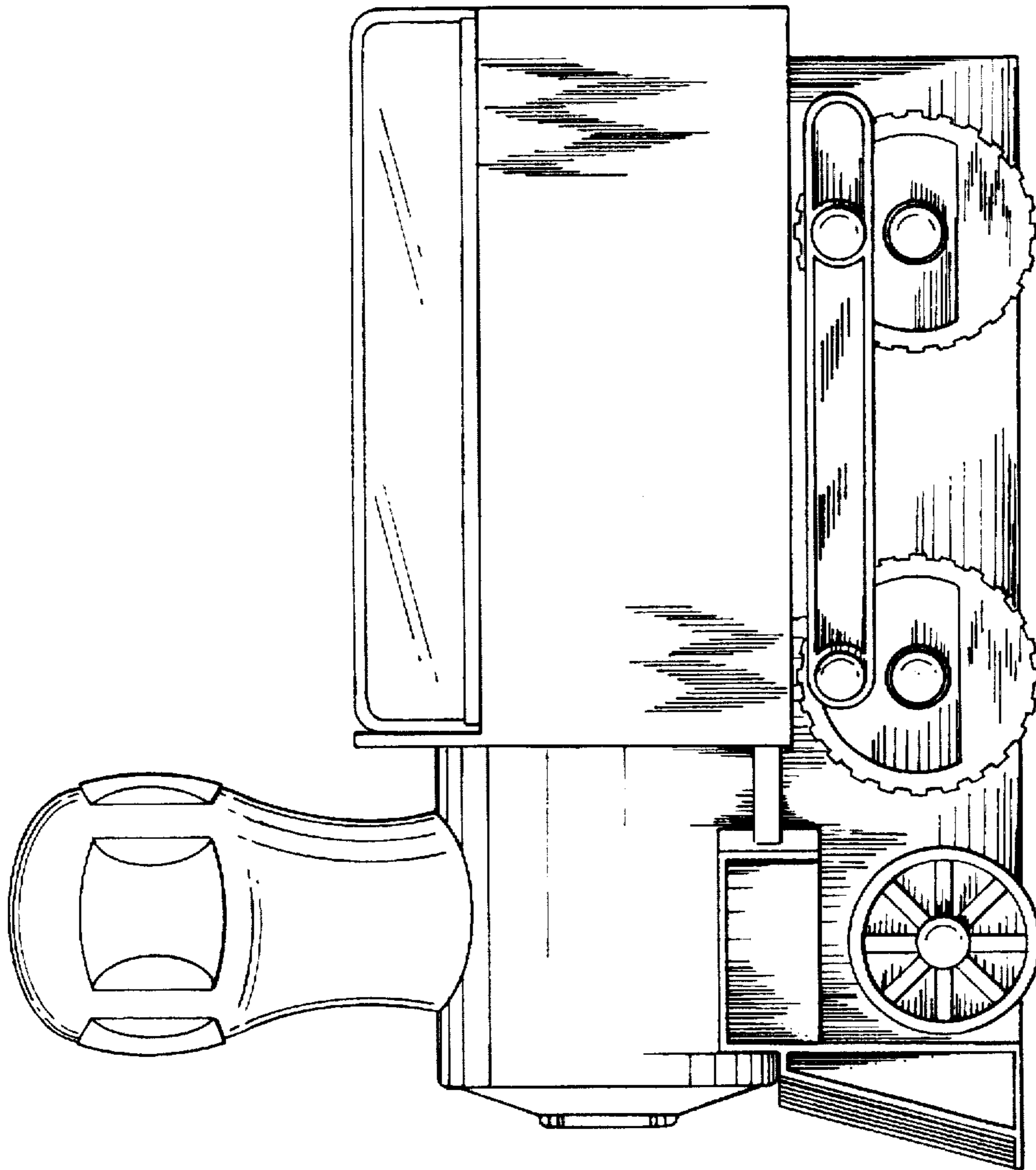


FIG . 4

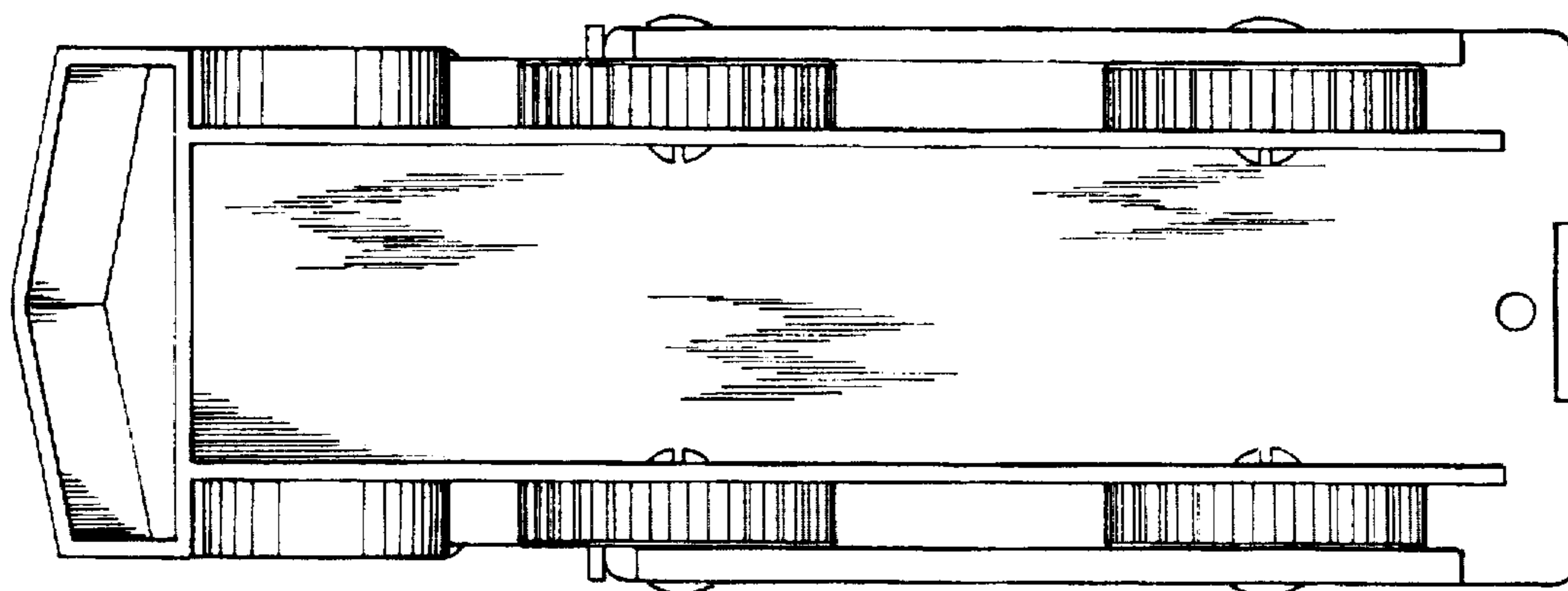


FIG. 6

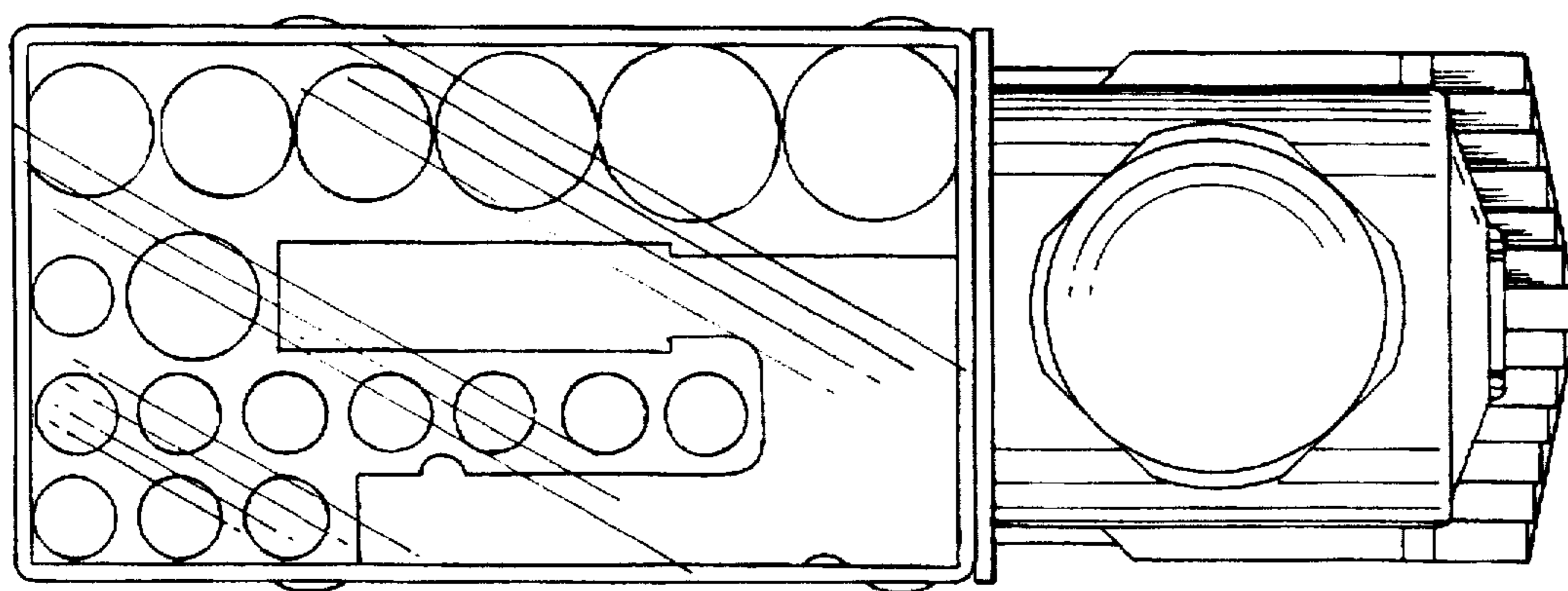


FIG. 5