



US00D392458S

United States Patent [19]

[11] Patent Number: Des. 392,458

Batts

[45] Date of Patent: **Mar. 24, 1998

[54] **HOLSTER**

Attorney, Agent, or Firm—Dennis H. Lambert, Esq.

[76] Inventor: **Ronald E. Batts**, 29112 E. Chanticleer Dr., Southfield, Mich. 48034-1480

[57] **CLAIM**

The ornamental design for a holster, as shown and described.

[**] Term: **14 Years**

DESCRIPTION

[21] Appl. No.: **54,046**

FIG. 1 is a rear, top and side perspective view of the holster showing my new design;

[22] Filed: **May 3, 1996**

FIG. 2 is a right side elevational view thereof;

[51] LOC (6) Cl. **03-01**

FIG. 3 is a left side elevational view thereof;

[52] U.S. Cl. **D3/222**

FIG. 4 is a front elevational view thereof;

[58] Field of Search D3/222, 223, 215;
224/193, 198, 191, 192, 238, 240, 243,
911, 912, 901.4

FIG. 5 is a rear elevational view thereof;

FIG. 6 is a top plan view thereof;

FIG. 7 is a bottom plan view thereof;

FIG. 8 is a right side elevational view thereof, with the holster shown in use;

FIG. 9 is a rear, top and side perspective view of a second embodiment;

FIG. 10 is a right side elevational view thereof;

FIG. 11 is a left side elevational view thereof;

FIG. 12 is a front elevational view thereof;

FIG. 13 is a rear elevational view thereof;

FIG. 14 is a top plan view thereof; and,

FIG. 15 is a bottom plan view thereof.

The broken line showing of environment is for illustrative purposes only and forms no part of the claimed design.

[56] **References Cited**

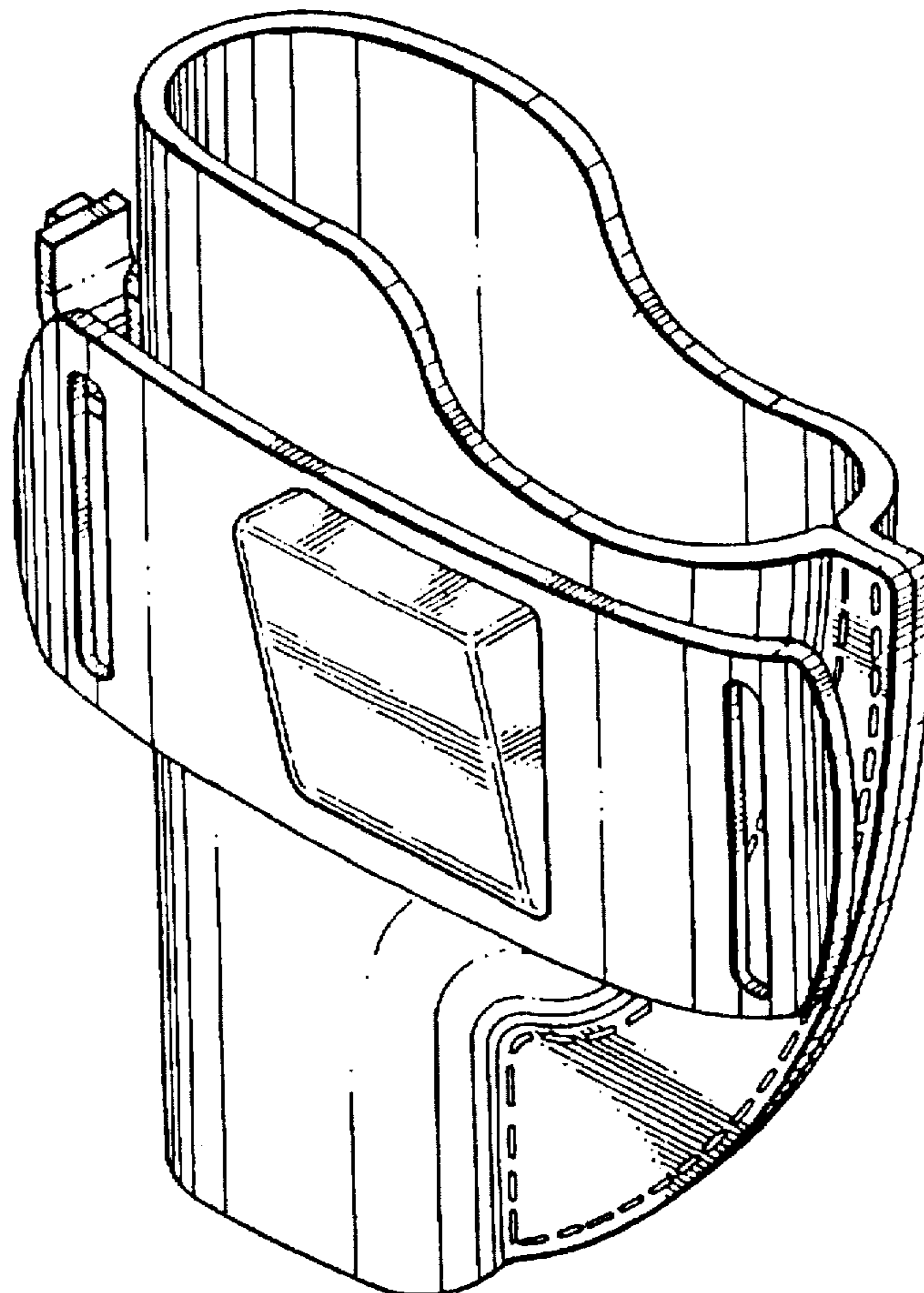
U.S. PATENT DOCUMENTS

D. 327,367	6/1992	Carrow et al.	D3/222
4,165,826	8/1979	Chica	224/901.4 X
4,398,655	8/1983	Perry	D3/222 X
4,898,310	2/1990	Remington .	
4,925,075	5/1990	Rogers .	
5,011,056	4/1991	Larreategui .	
5,209,383	5/1993	Theodore	224/193

Primary Examiner—Doris V. Coles

Assistant Examiner—Catherine R. Oliver

1 Claim, 6 Drawing Sheets



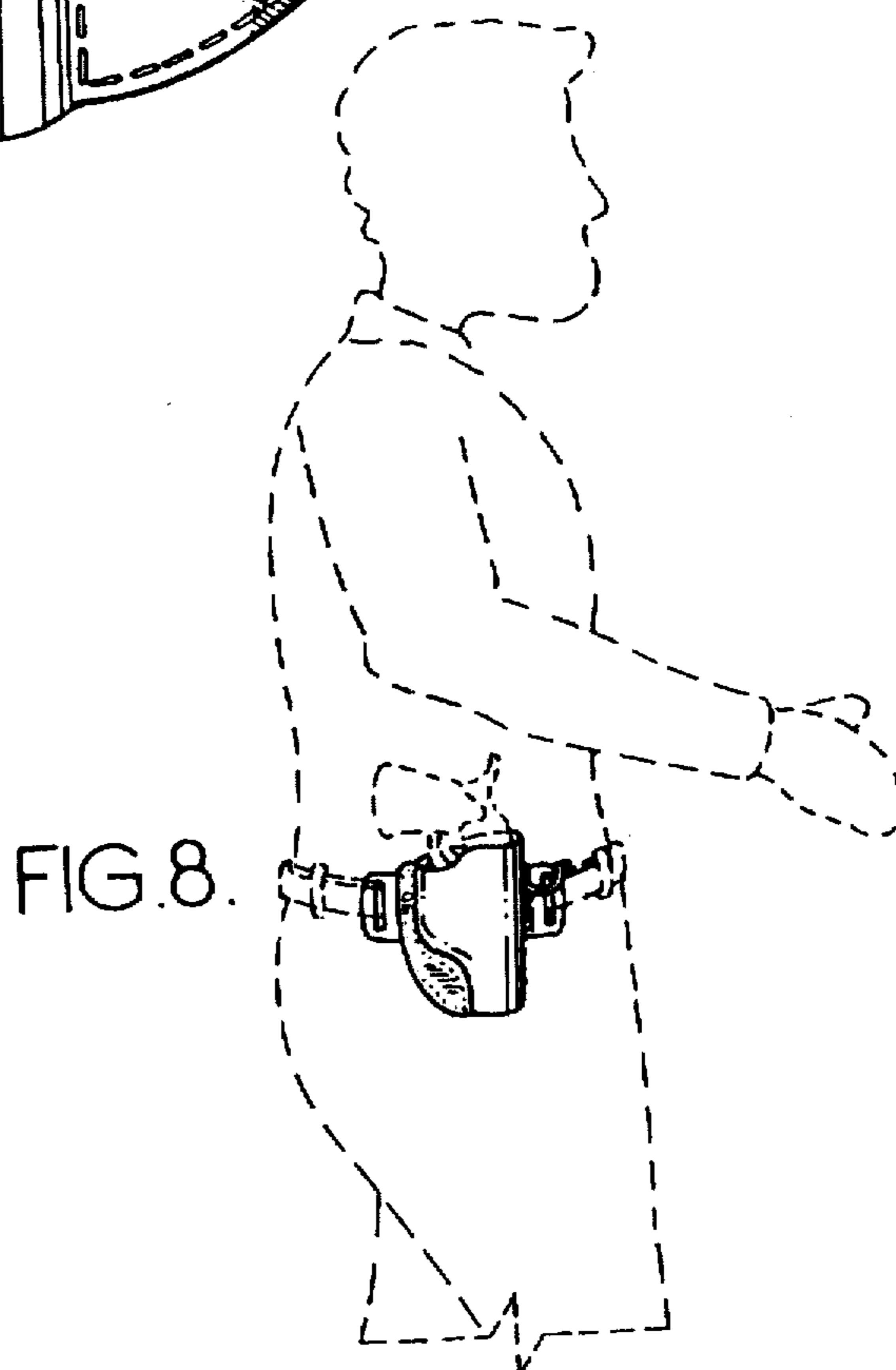
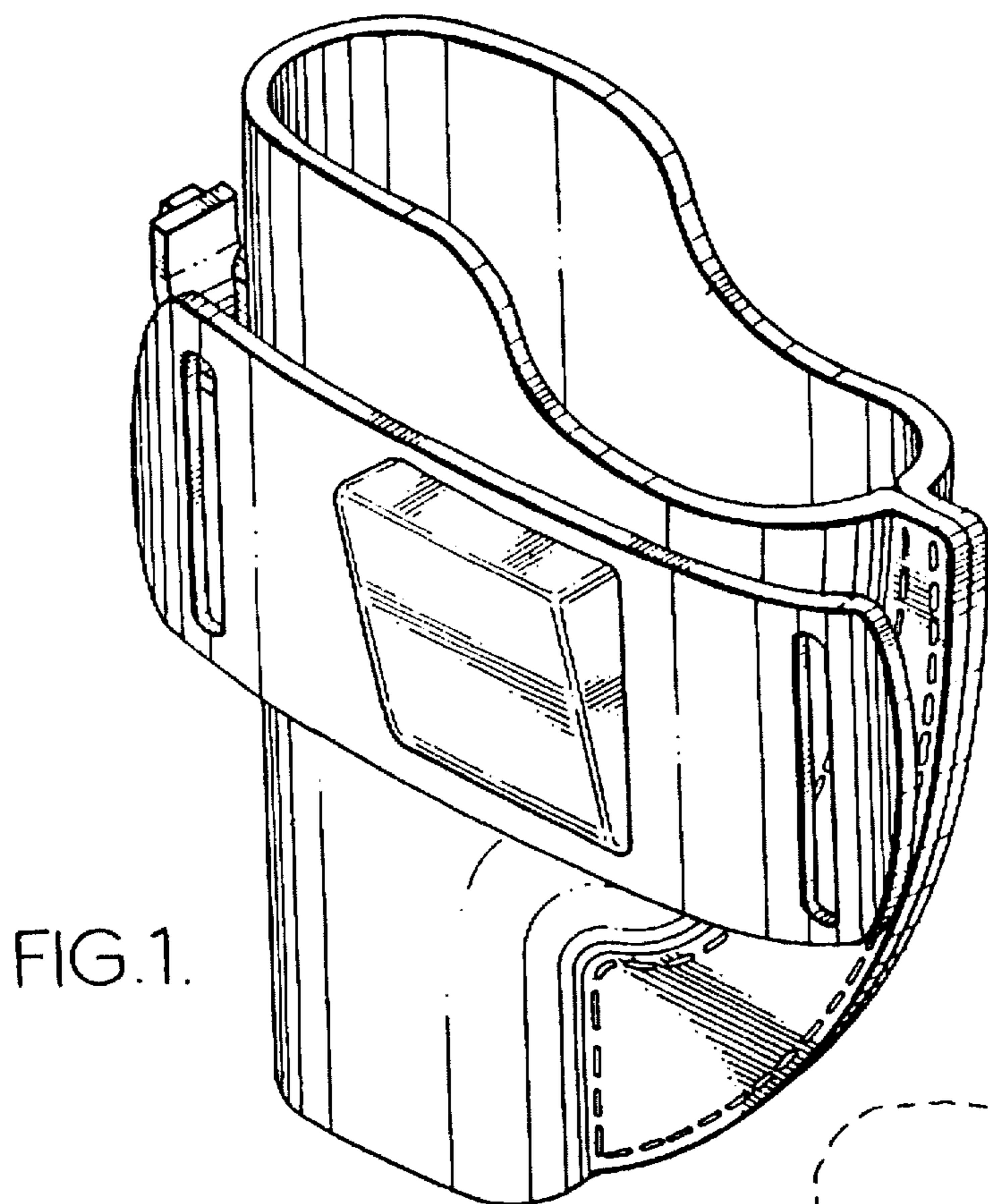


FIG. 2.

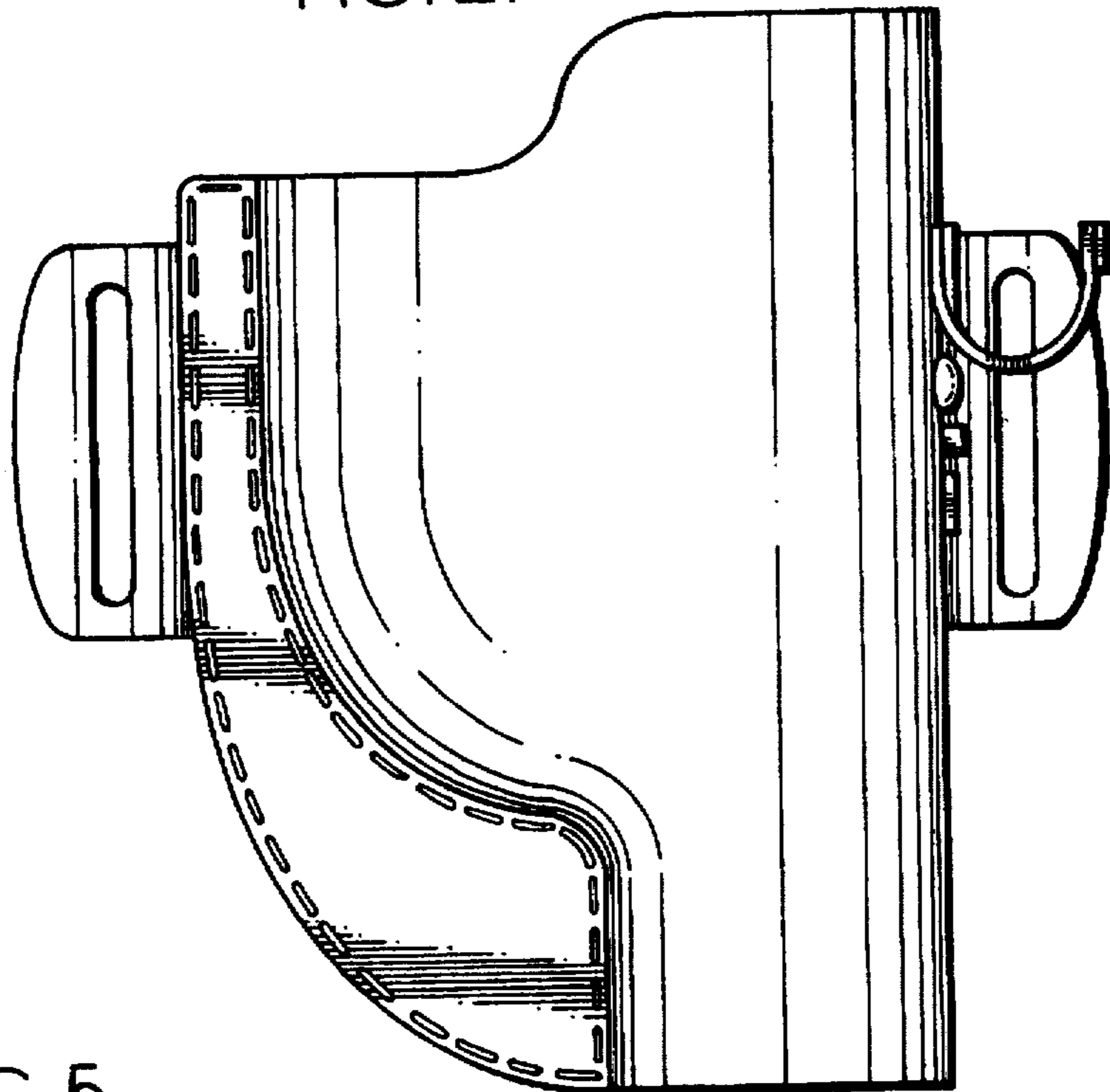


FIG. 5.

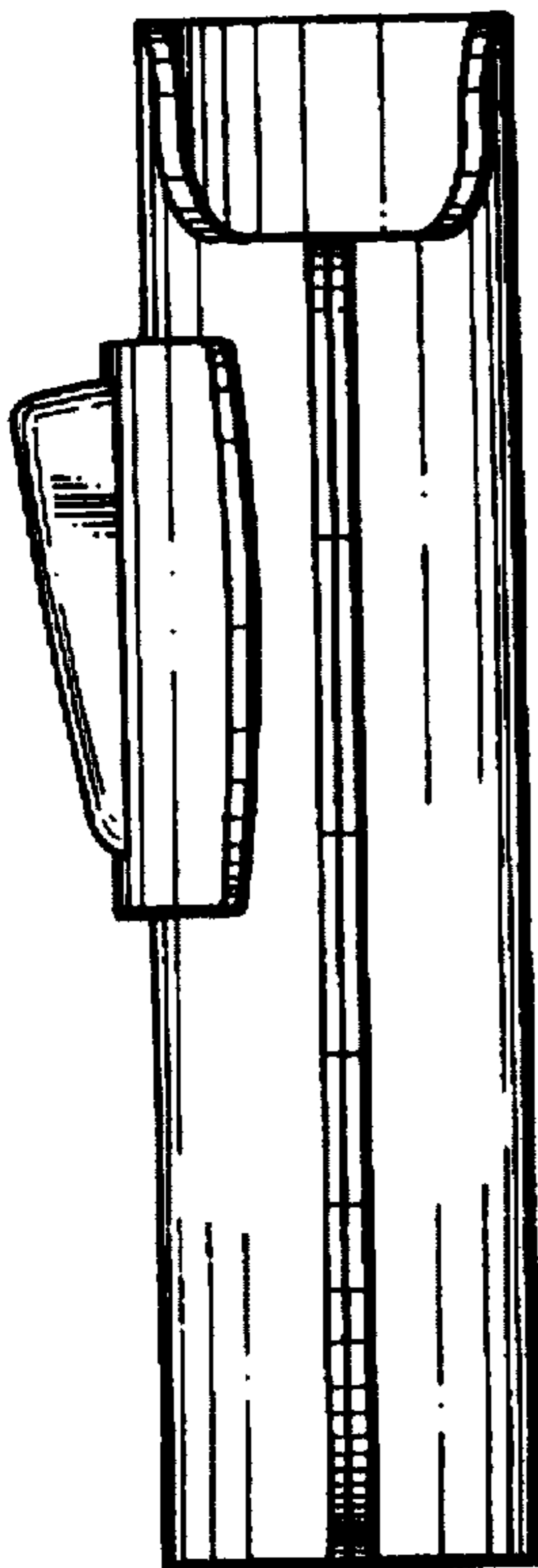


FIG. 7.

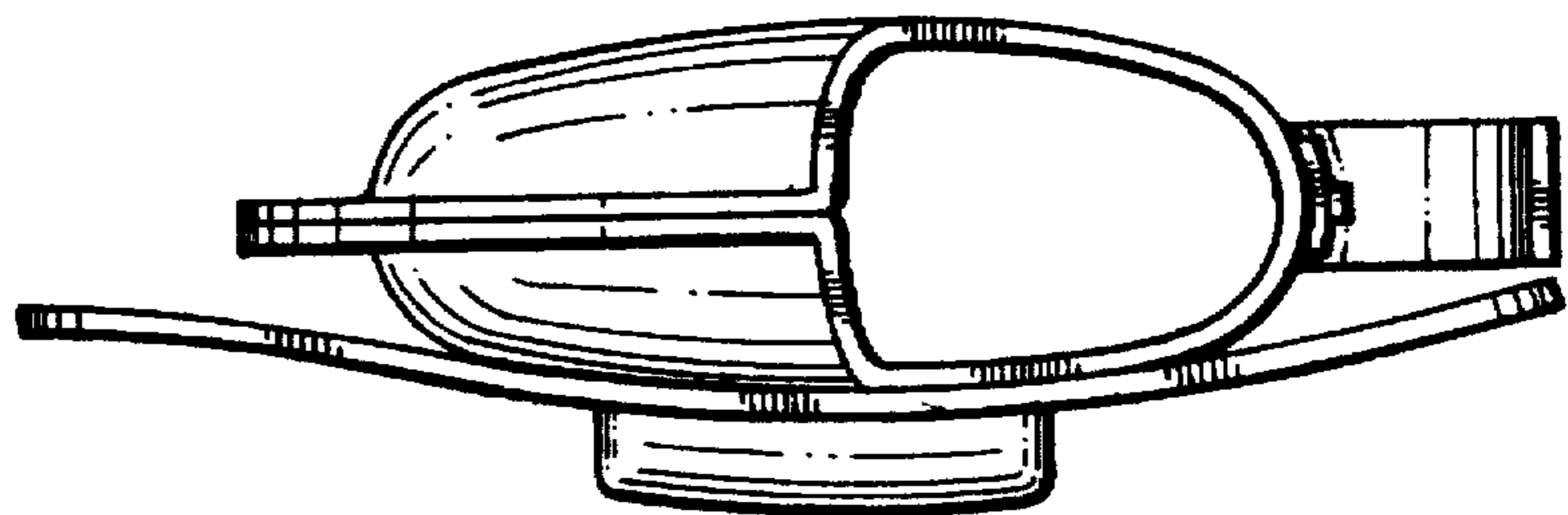


FIG. 3.

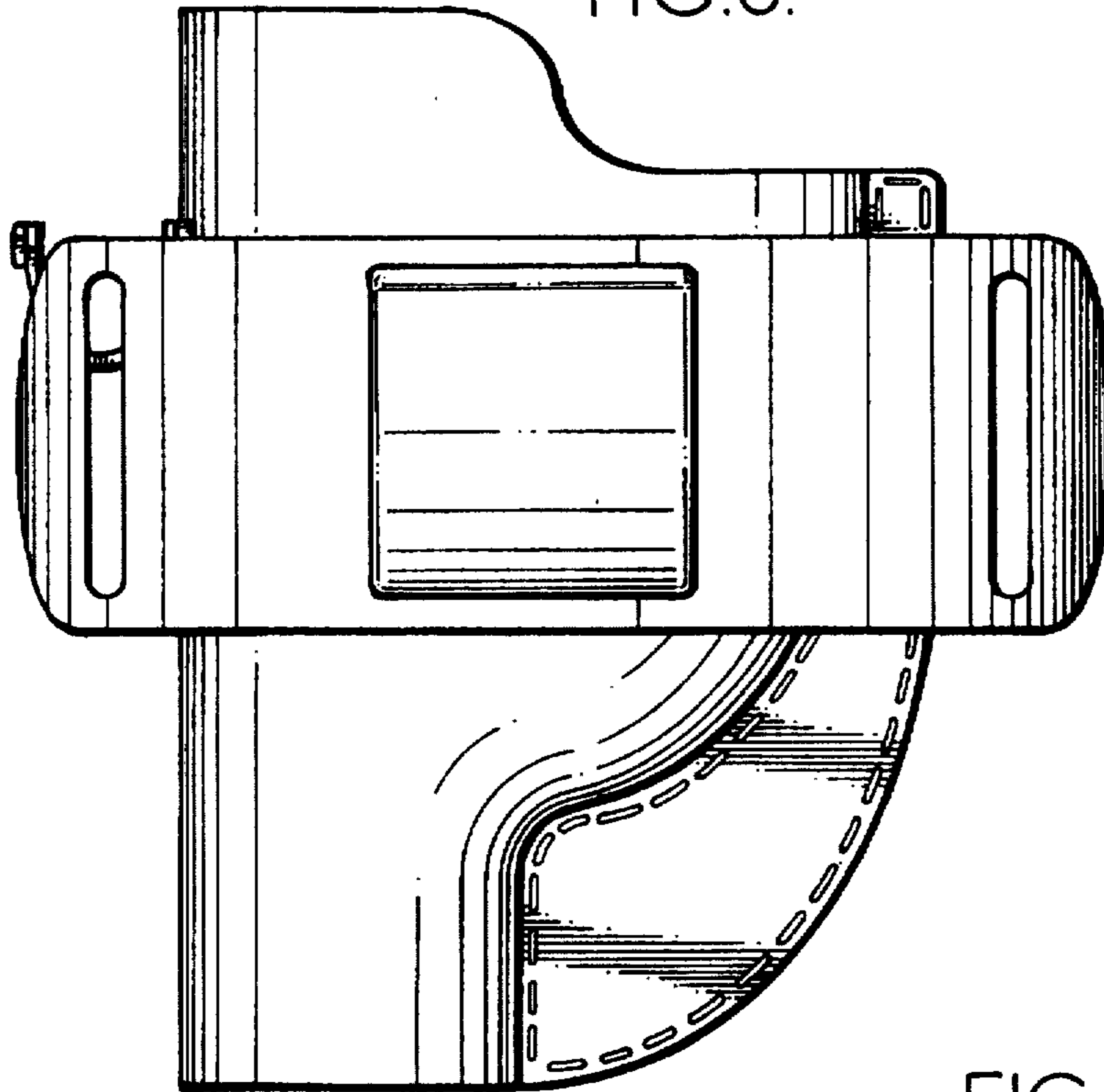


FIG. 4.

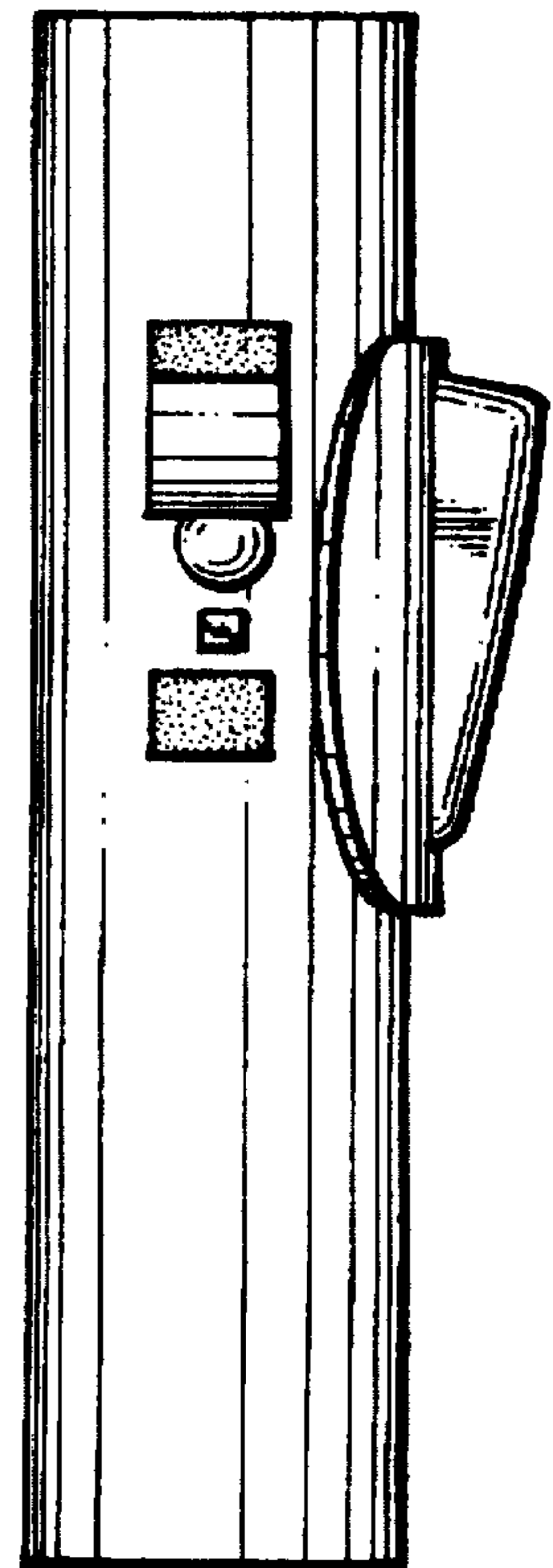
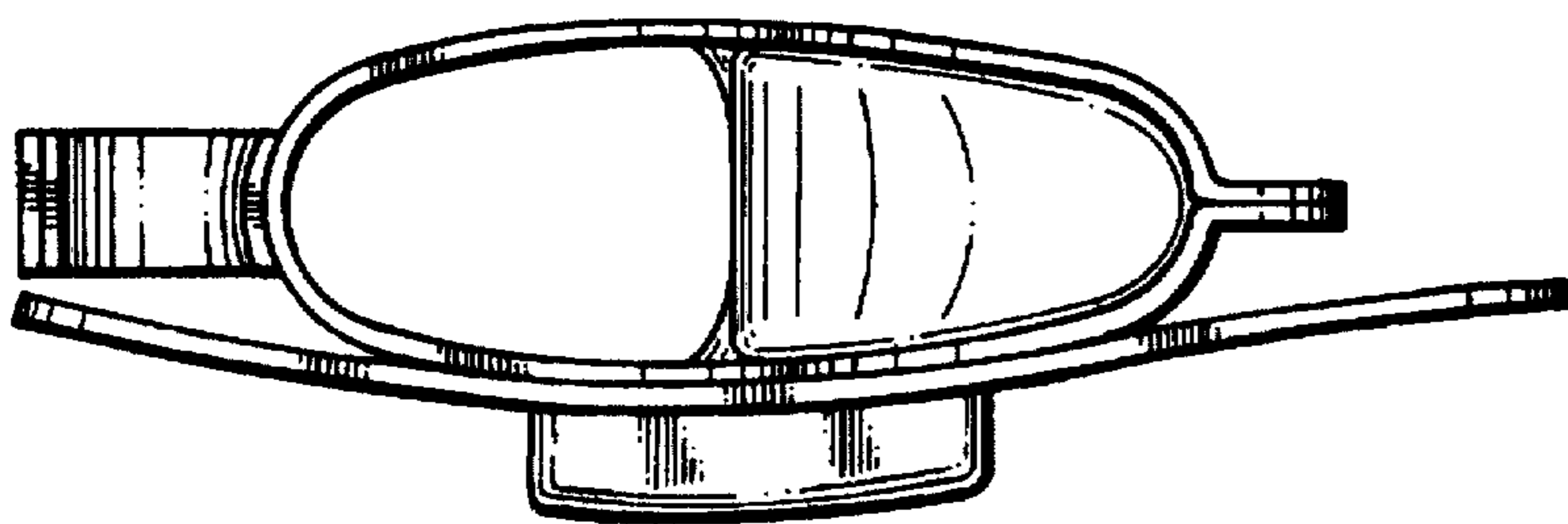


FIG. 6.



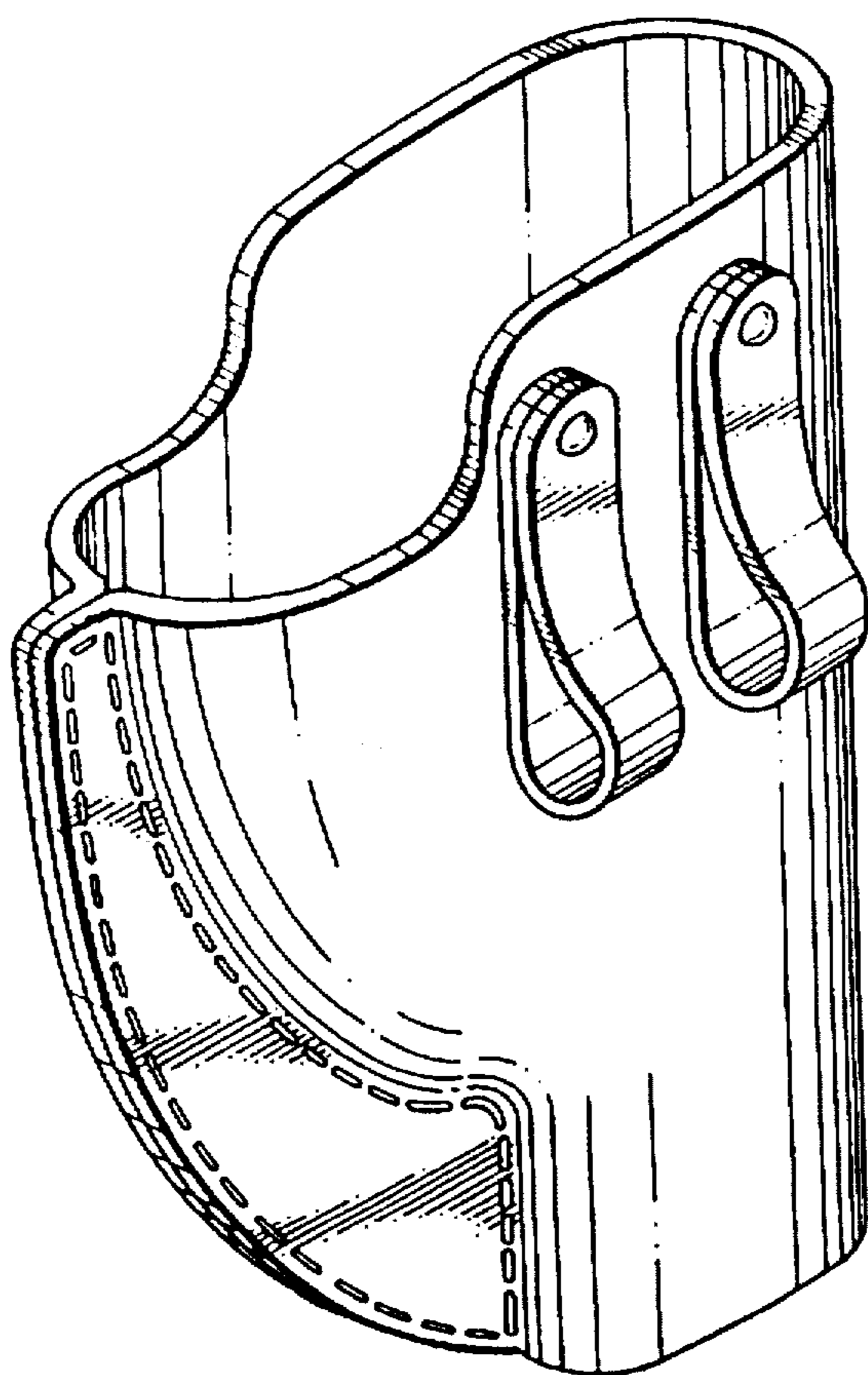


FIG. 9.

FIG. 10.

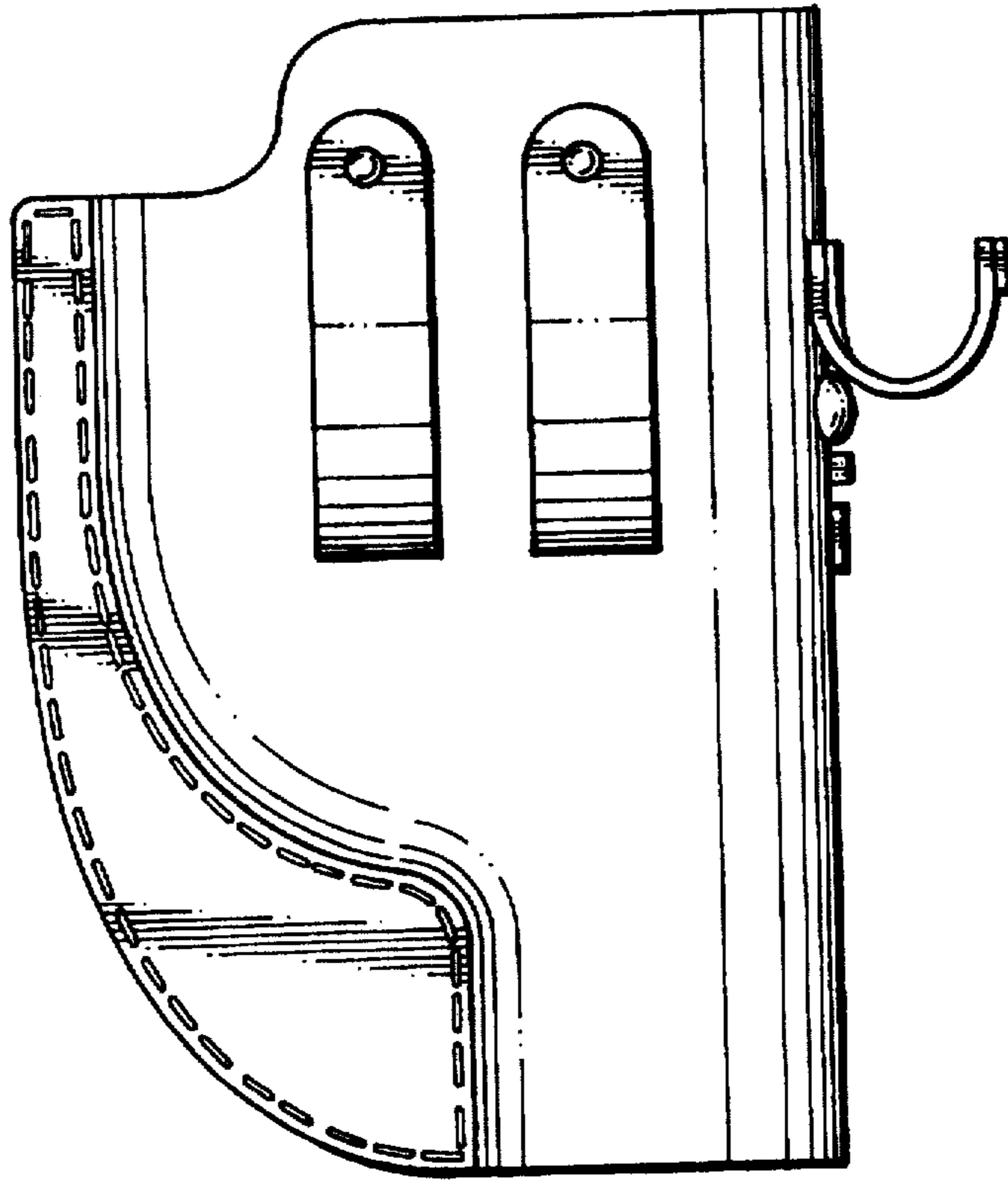


FIG. 12.

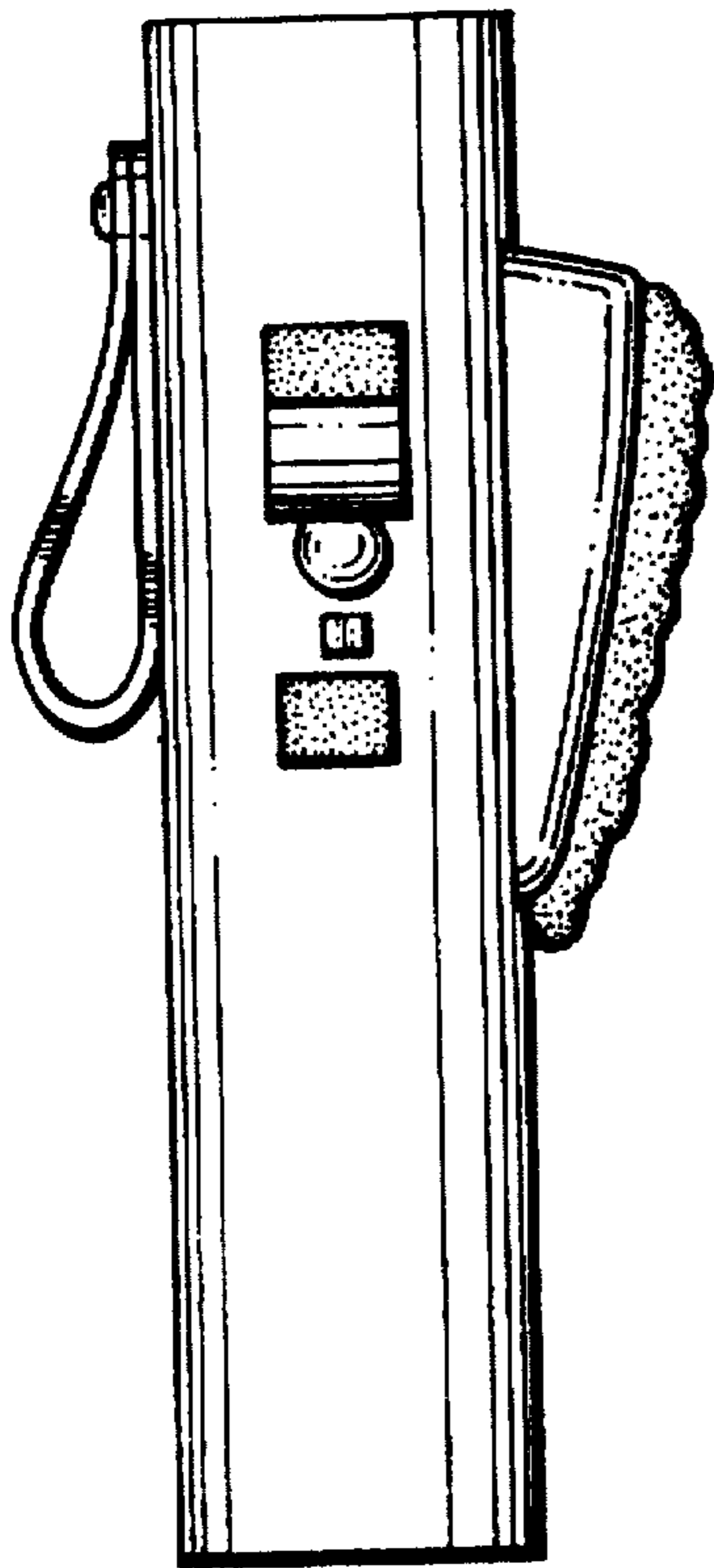


FIG. 14.

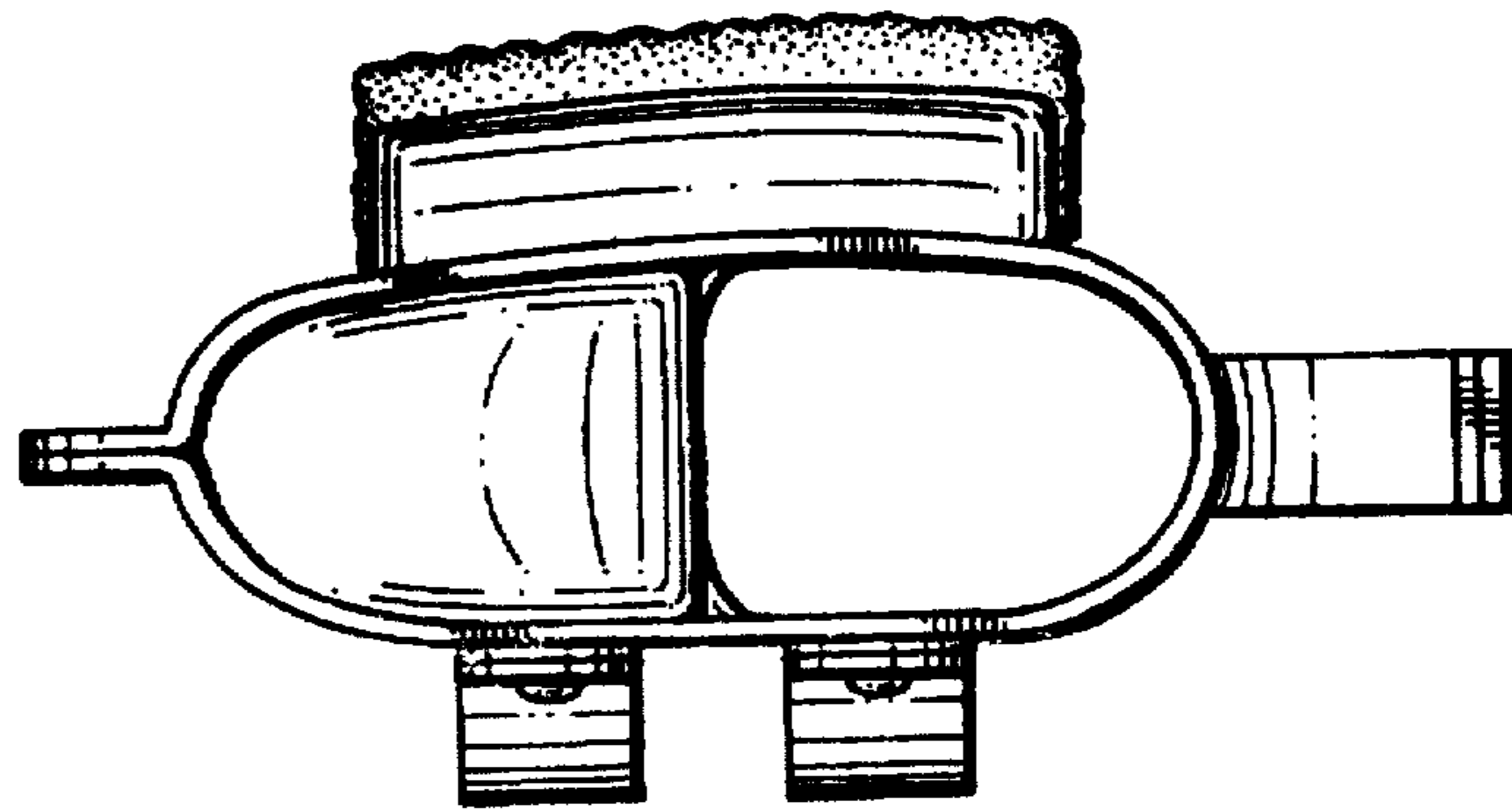


FIG.11.

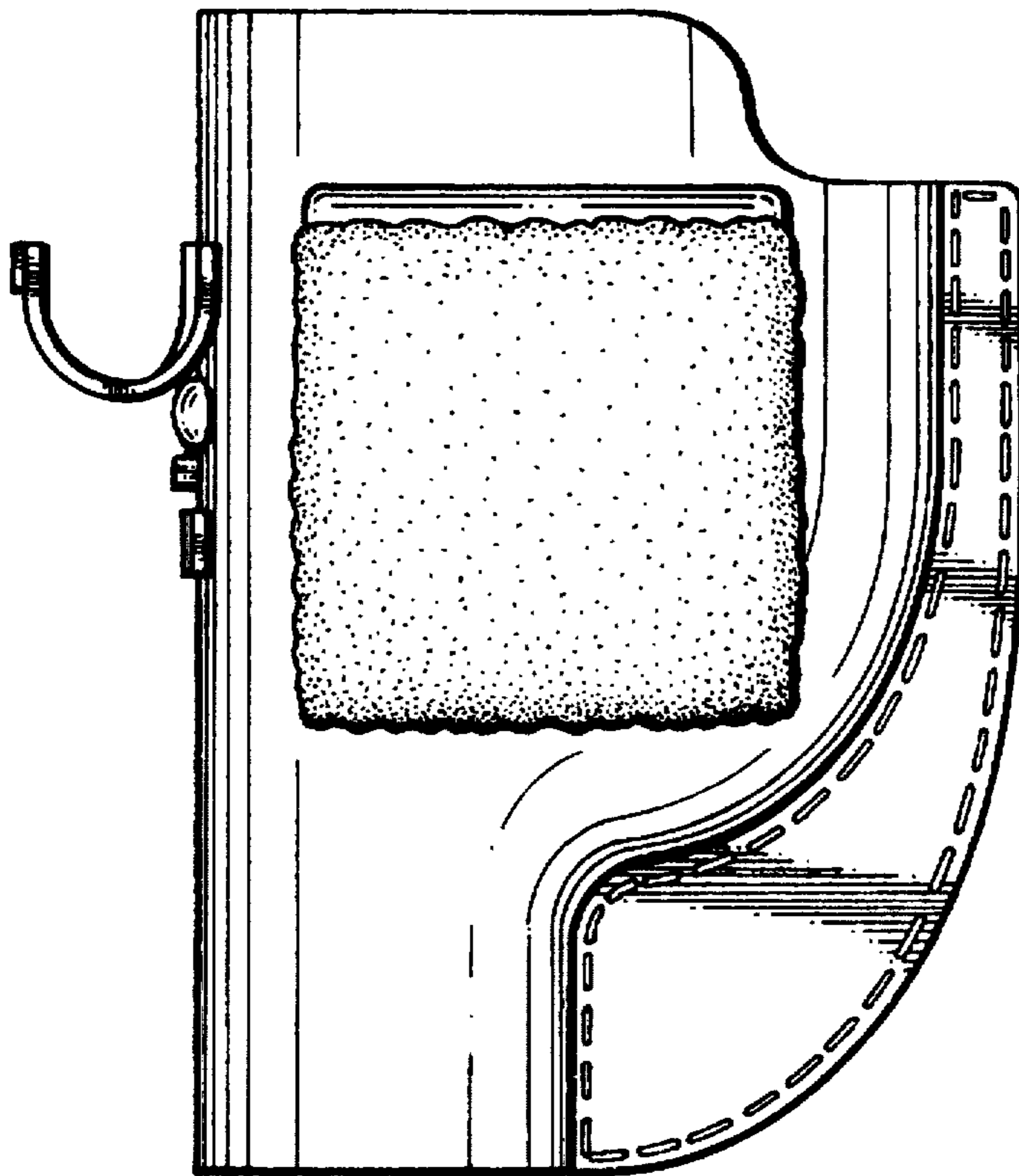


FIG.13.

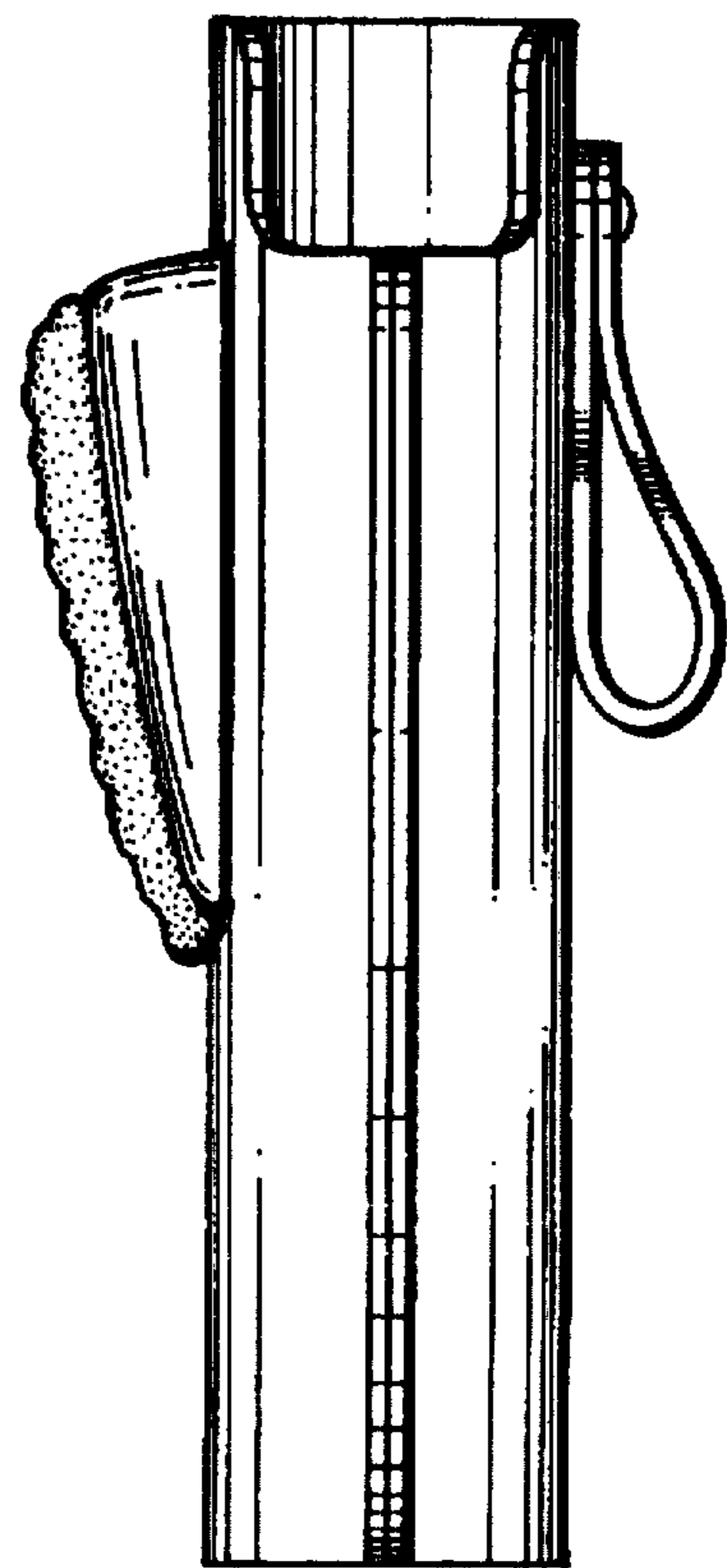


FIG.15.

