



US00D392451S

**United States Patent** [19]  
**Collins et al.**

[11] **Patent Number: Des. 392,451**  
[45] **Date of Patent: \*\*Mar. 24, 1998**

[54] **STUD FOR FOOTWEAR**

D. 375,192 11/1996 Bathum ..... D2/962  
5,259,129 11/1993 Deacon et al. .... 36/127

[75] **Inventors: David Roy Collins, Sutton Coldfield;**  
**Paul Andrew Kelly, Atherston, both of**  
**England**

**FOREIGN PATENT DOCUMENTS**

803939 8/1991 Japan .  
832081 6/1992 Japan .  
DM032091 2/1995 WIPO .

[73] **Assignee: Trisport Limited, Staffordshire,**  
**England**

*Primary Examiner*—Doris V. Coles  
*Attorney, Agent, or Firm*—Schweitzer Cornman Gross &  
Bondell LLP

[\*\*] **Term: 14 Years**

[21] **Appl. No.: 58,646**

[57] **CLAIM**

[22] **Filed: Aug. 13, 1996**

The ornamental design for a stud for footwear, as shown and described.

[51] **LOC (6) Cl. .... 02-04**

[52] **U.S. Cl. .... D2/962**

[58] **Field of Search .... D2/962, 906, 959;**  
**36/67 A, 67 B, 67 C, 67 D, 67 R, 127,**  
**126, 134, 59, 59 B, 59 C, 59 D**

**DESCRIPTION**

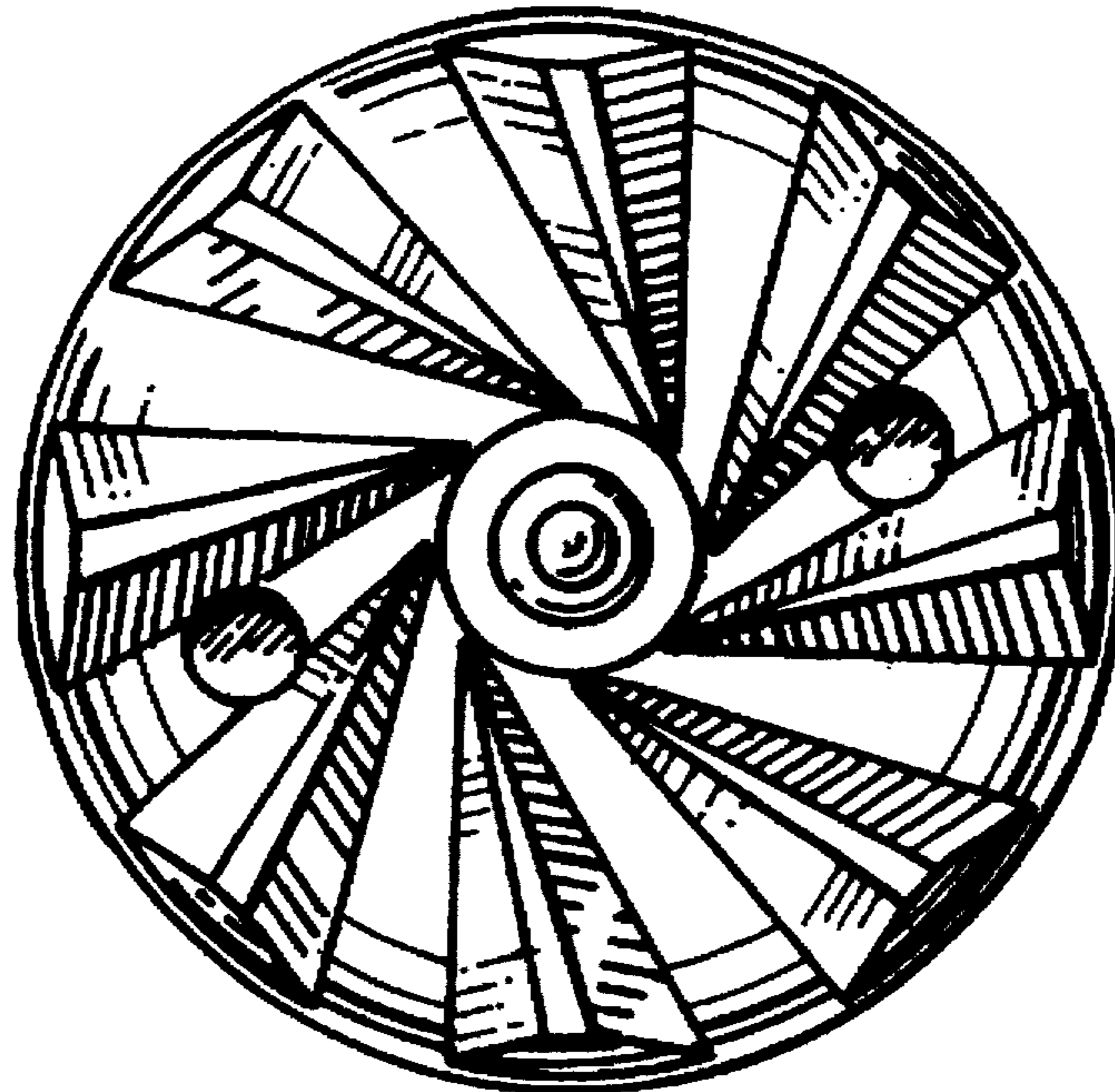
FIG. 1 is a top plan view of a stud for footwear showing our new design;  
FIG. 2 is a bottom plan view thereof;  
FIG. 3 is a side view thereof, all other sides corresponding thereto;  
FIG. 4 is a top perspective view thereof;  
FIG. 5 is a top plan view of a second embodiment;  
FIG. 6 is a bottom plan view thereof;  
FIG. 7 is a side view thereof, all other sides corresponding thereto; and,  
FIG. 8 is a top perspective view thereof.

[56] **References Cited**

**U.S. PATENT DOCUMENTS**

D. 316,926 5/1991 St. John ..... D2/962  
D. 351,495 10/1994 Nagal et al. .... D2/959  
D. 366,755 2/1996 Abbey ..... D2/962  
D. 371,453 7/1996 Deacon et al. .... D2/962  
D. 371,895 7/1996 McMullin ..... D2/962  
D. 372,355 8/1996 Deacon et al. .... D2/962  
D. 373,675 9/1996 McMullin ..... D2/962

**1 Claim, 4 Drawing Sheets**



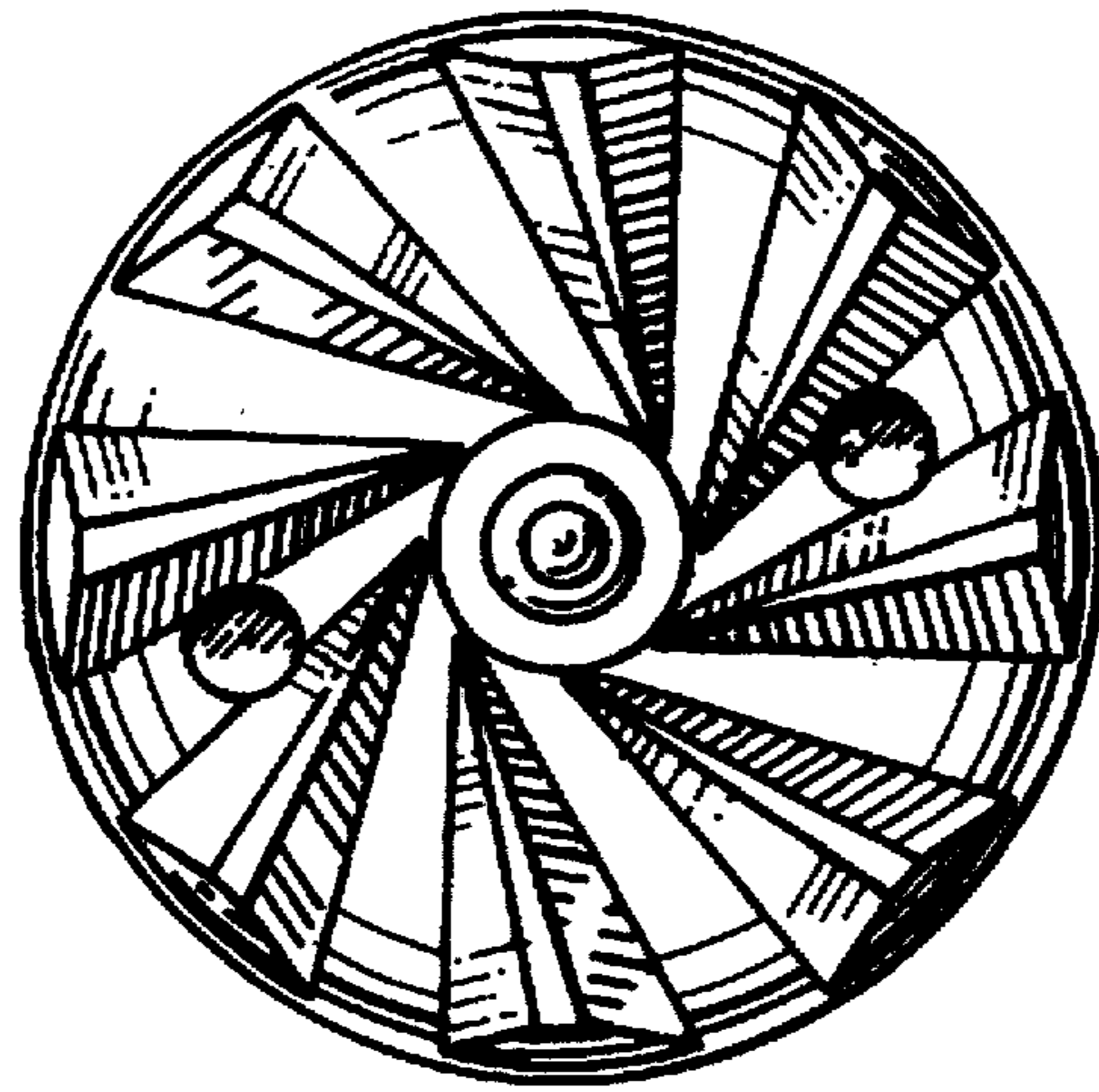


FIG 1

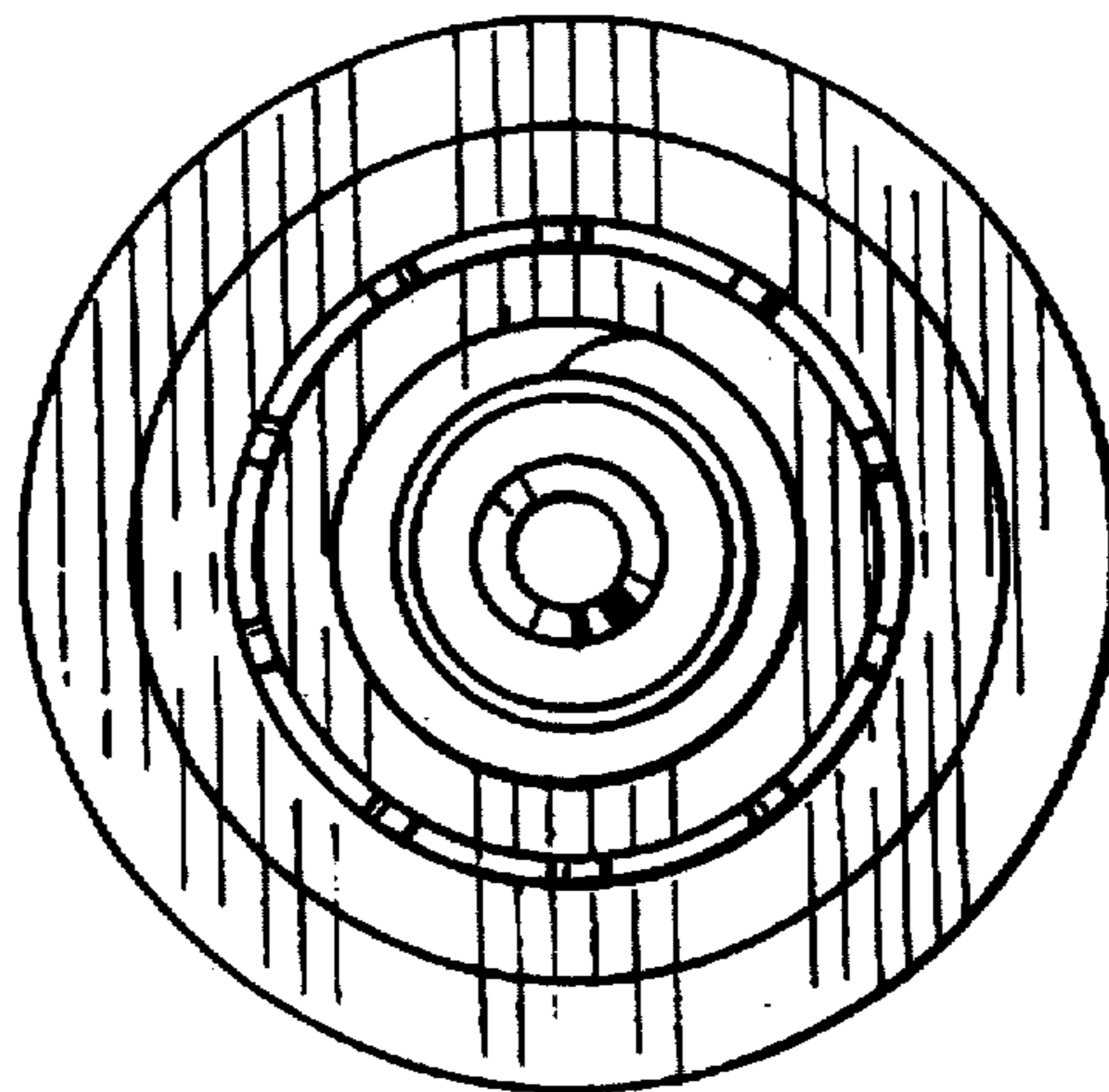


FIG 2

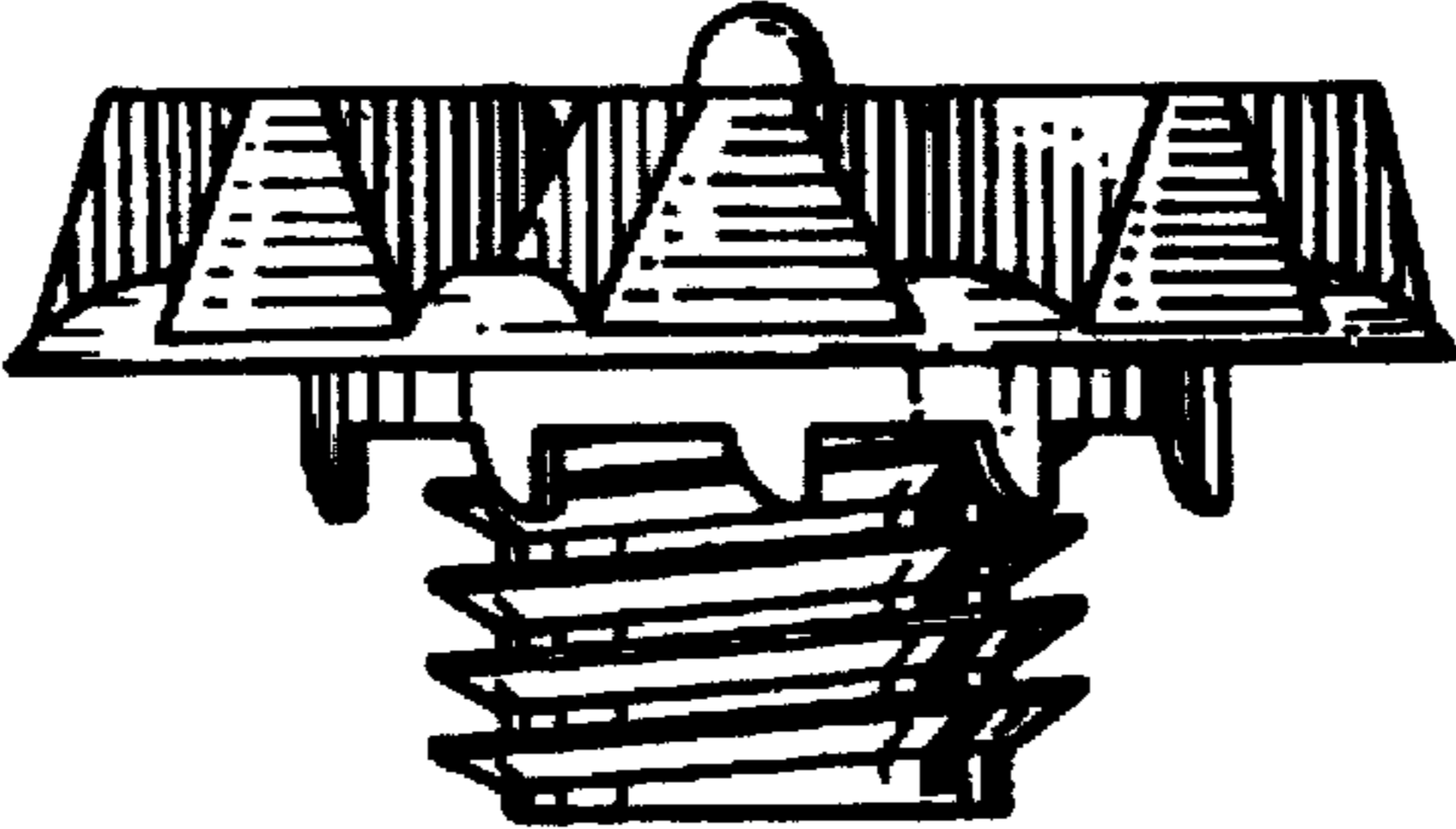


FIG 3

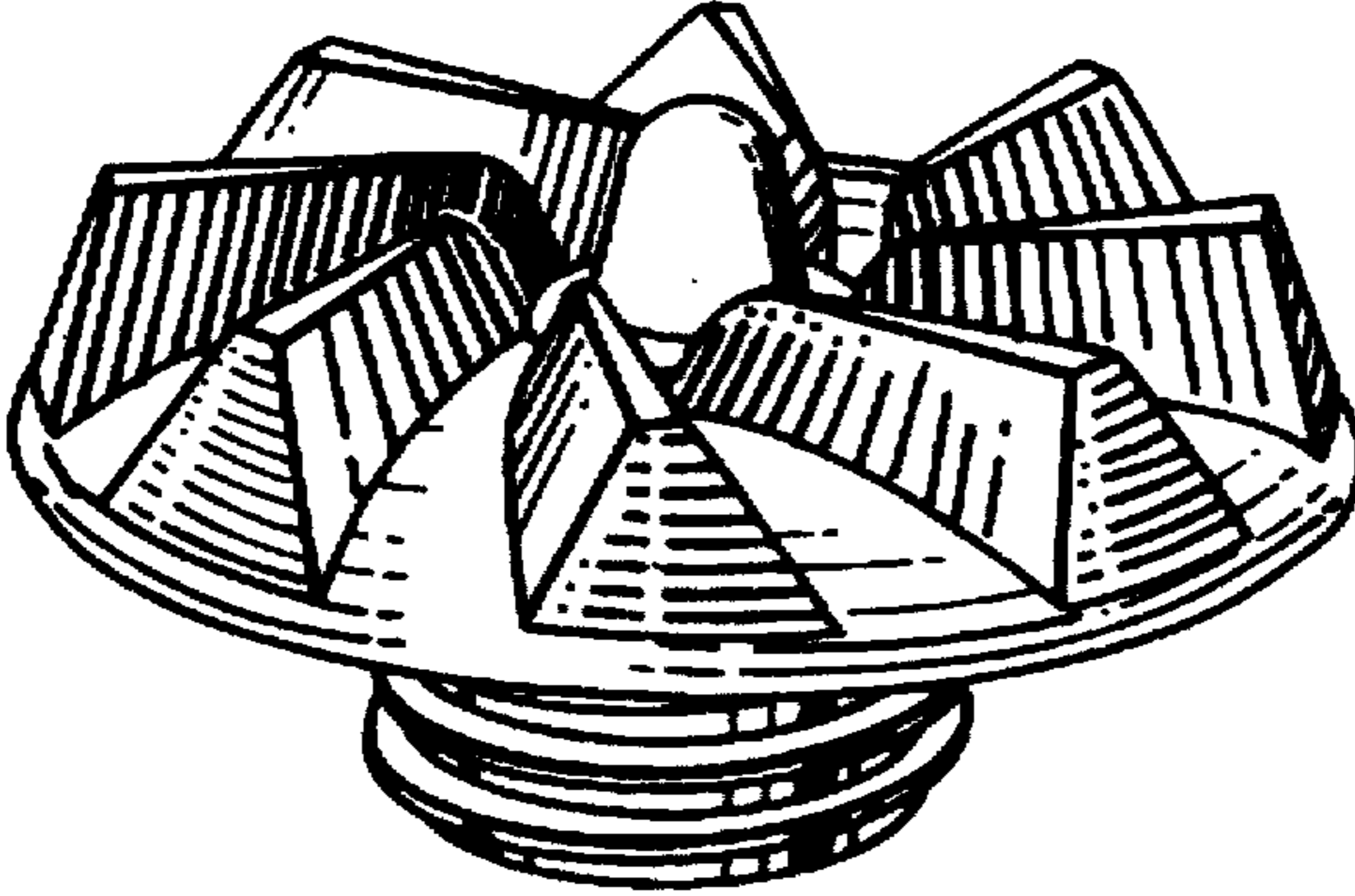


FIG 4

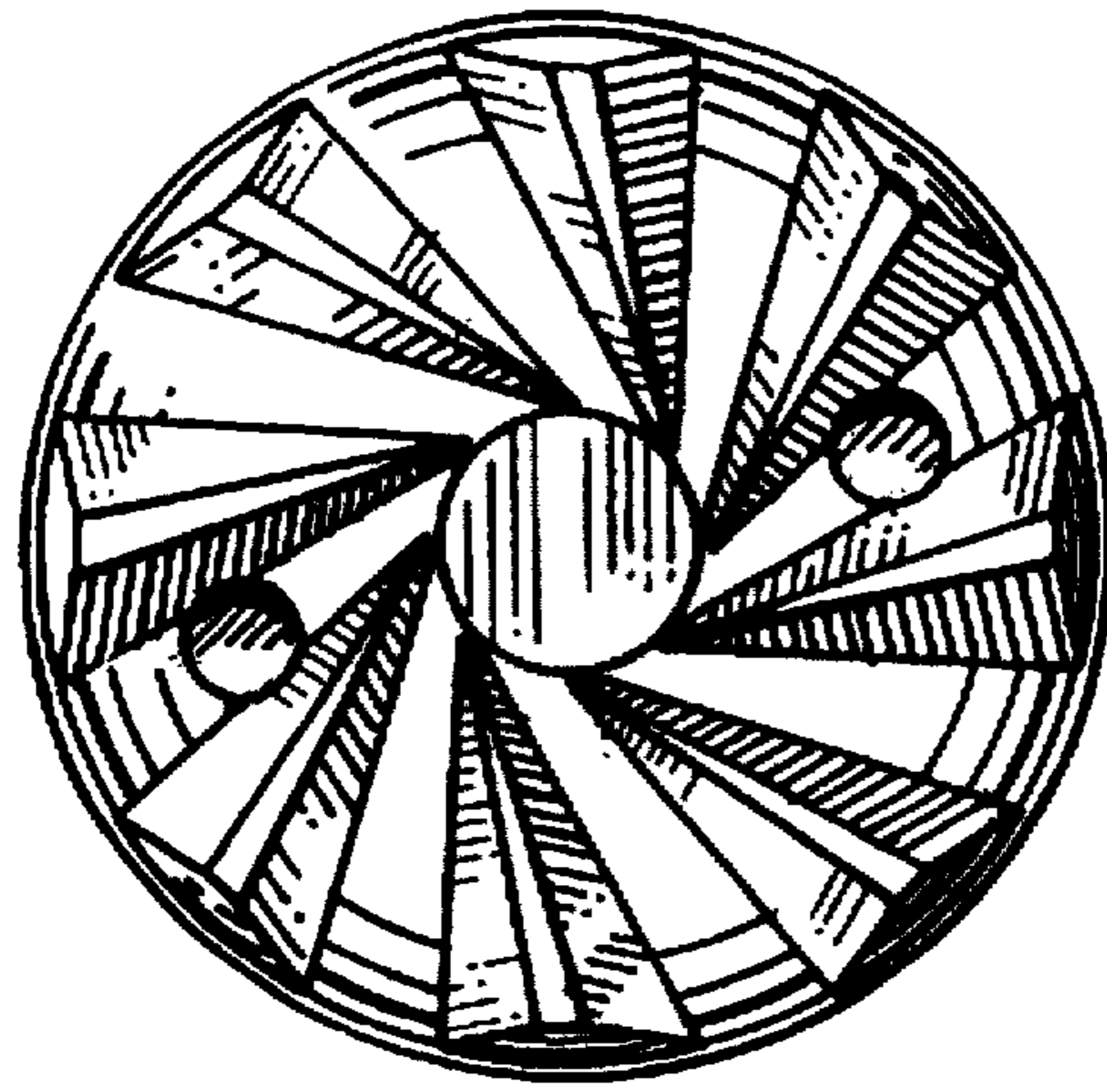


FIG 5

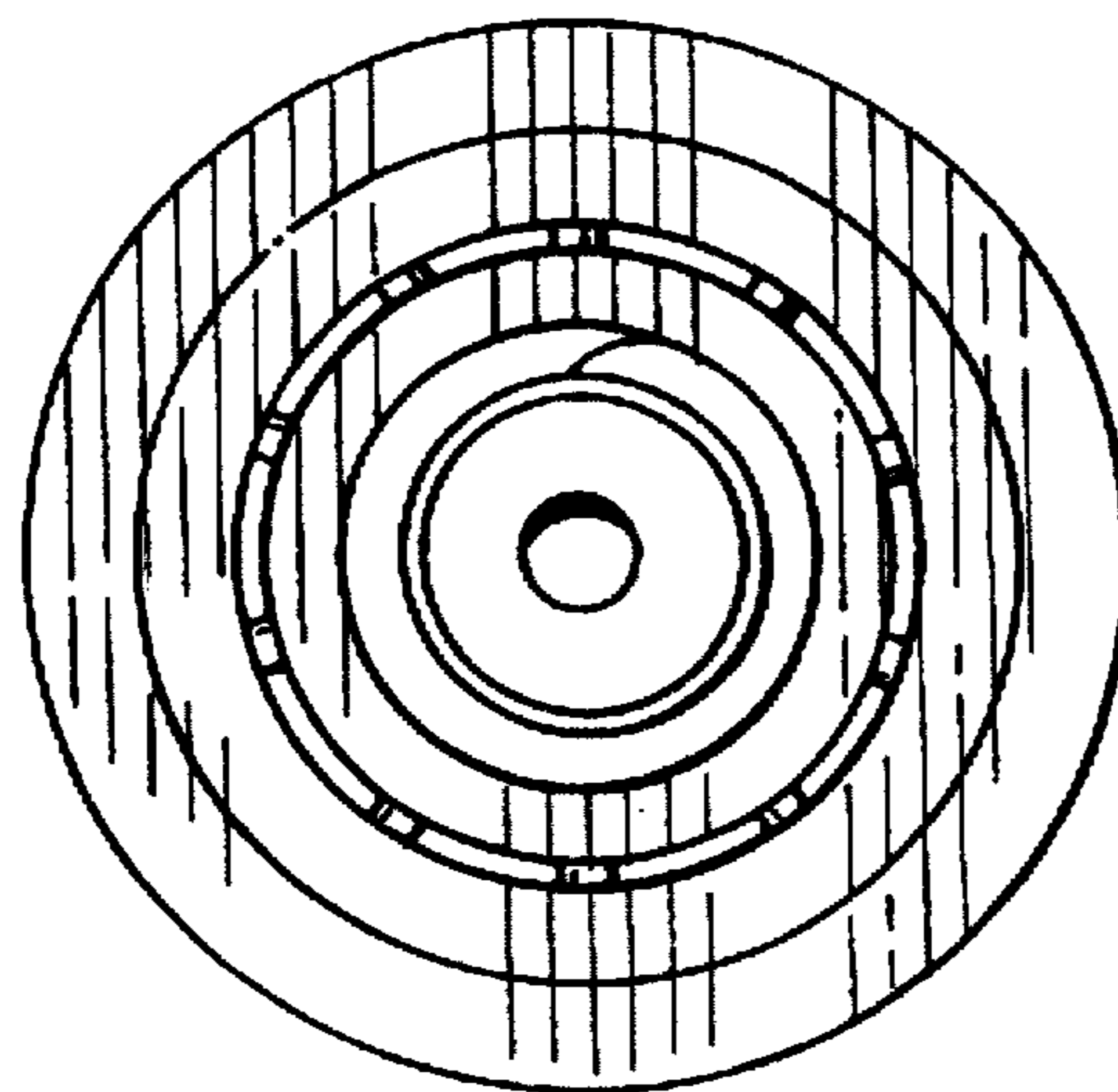


FIG 6

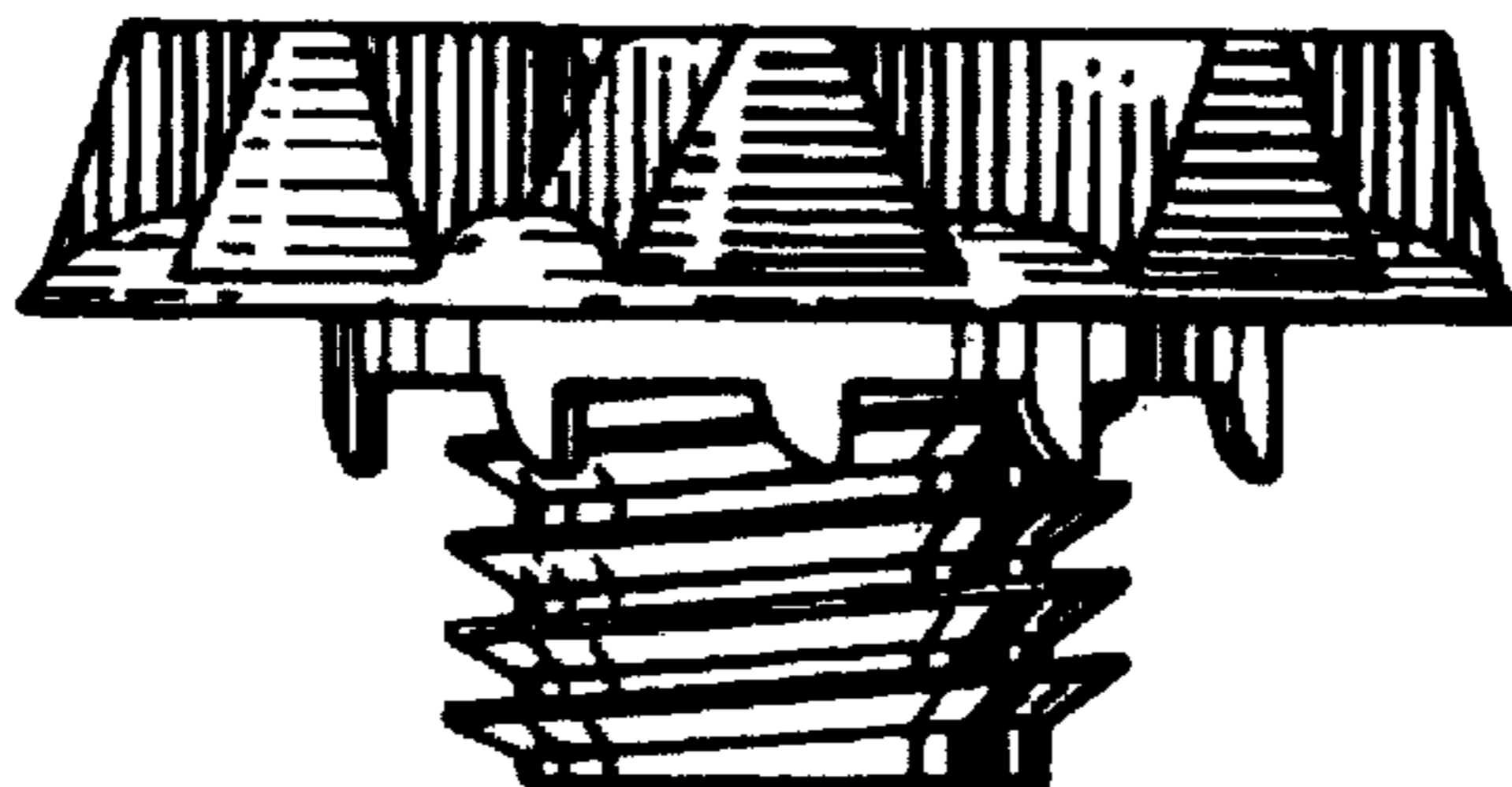


FIG 7

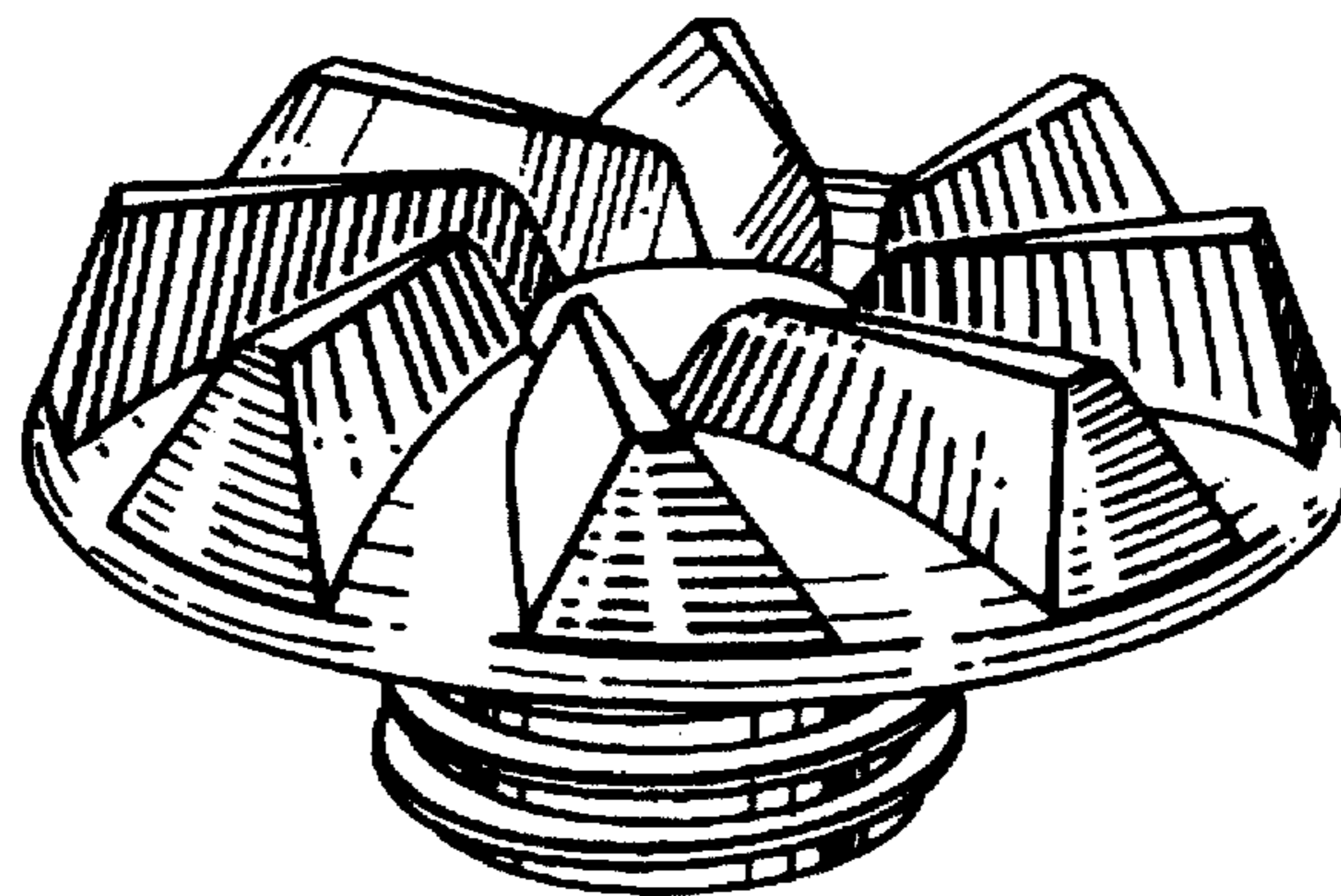


FIG 8