



US00D392441S

# United States Patent [19]

[11] Patent Number: **Des. 392,441**

Bergeron et al.

[45] Date of Patent: **\*\*Mar. 24, 1998**

[54] **NOVELTY HEADWEAR**

[76] Inventors: **John J. Bergeron**, 9 Harbor Ridge Rd., South Burlington, Vt. 05403; **B. Joan Giard**, 19 Discovery Rd., Essex Junction, Vt. 05452

[\*\*] Term: **14 Years**

[21] Appl. No.: **67,268**

[22] Filed: **Mar. 14, 1997**

[51] LOC (6) Cl. .... **02-03**

[52] U.S. Cl. .... **D2/875**

[58] Field of Search ..... D2/865, 866, 876, D2/877, 875, 892; D28/93, 99, 10; 2/8, 171, 174, 181, 195.1, 209.13, 2, DIG. 11; 359/482; D29/100, 102-107; 446/26, 27

[56] **References Cited**

**U.S. PATENT DOCUMENTS**

D. 138,315 7/1944 Gross ..... D2/892  
1,614,231 1/1927 Cosgrove ..... D2/892

2,757,574 8/1956 Thorburn ..... 359/482  
2,893,403 7/1959 Turman ..... D2/877 X  
3,531,187 9/1970 Brown ..... 2/84 R  
4,675,919 6/1987 Heine et al. .... 2/181 X  
5,386,592 2/1995 Checkeroski ..... 2/DIG. 11 X

*Primary Examiner*—Paula A. Mortimer  
*Attorney, Agent, or Firm*—Thomas N. Neiman

[57] **CLAIM**

The ornamental design for a novelty headwear, as shown and described.

**DESCRIPTION**

FIG. 1 is a top plan view of novelty headwear showing our new design;  
FIG. 2 is a front elevational view thereof;  
FIG. 3 is a side elevational view thereof, the opposite side view being a mirror image thereof;  
FIG. 4 is a rear elevational view thereof;  
FIG. 5 is a bottom plan view thereof; and  
FIG. 6 is a smaller perspective view of the novelty headwear.

**1 Claim, 1 Drawing Sheet**

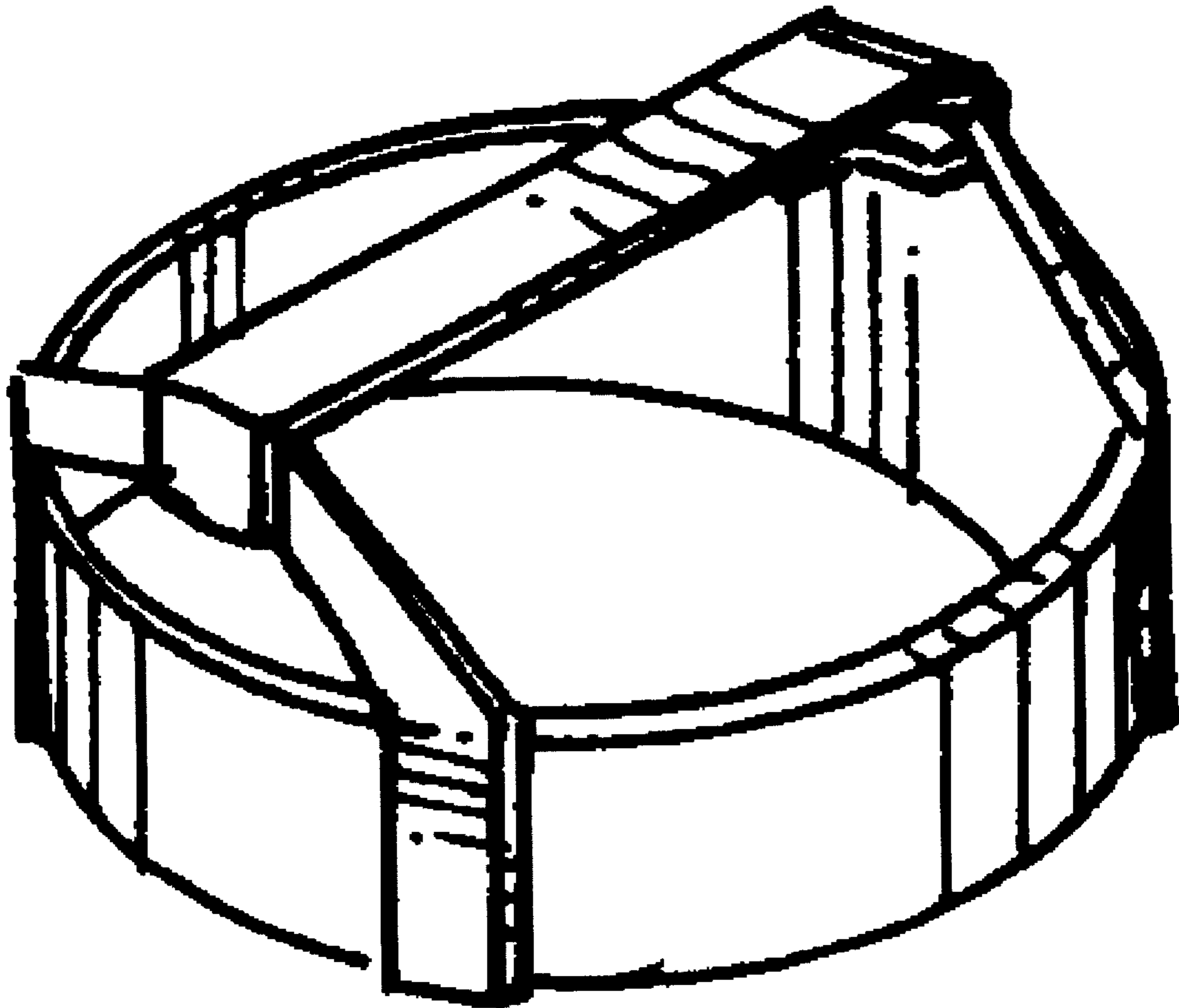


FIG. 1

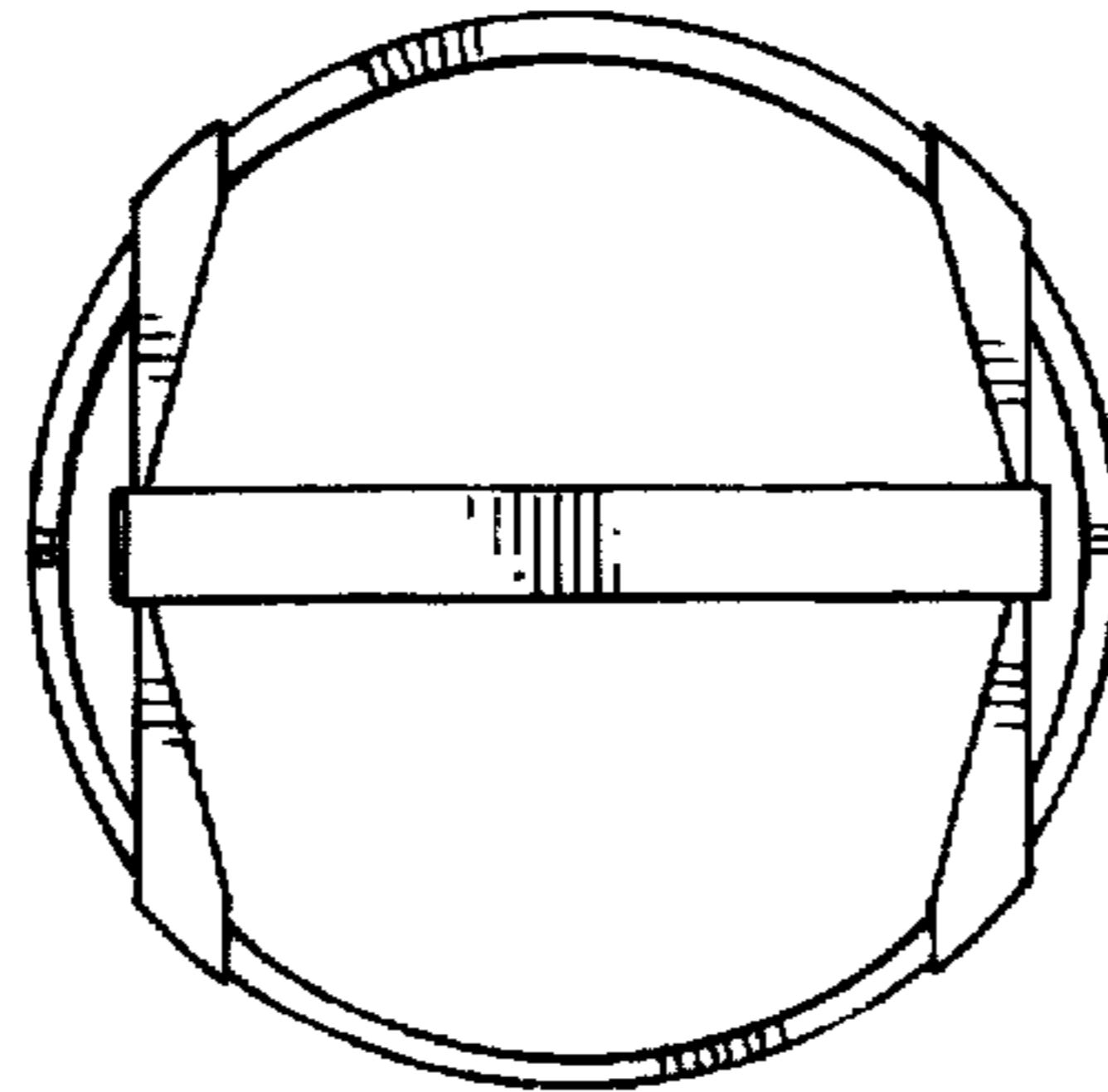


FIG. 2

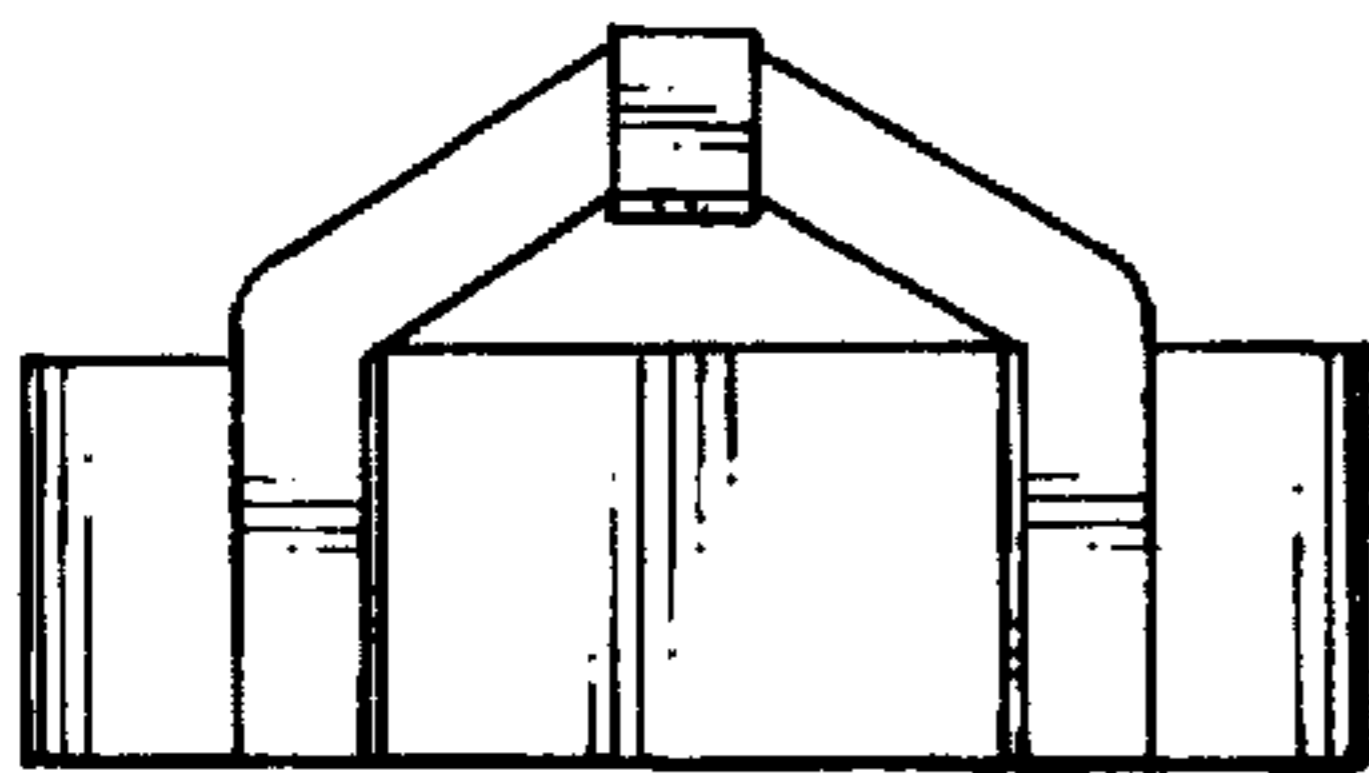


FIG. 3

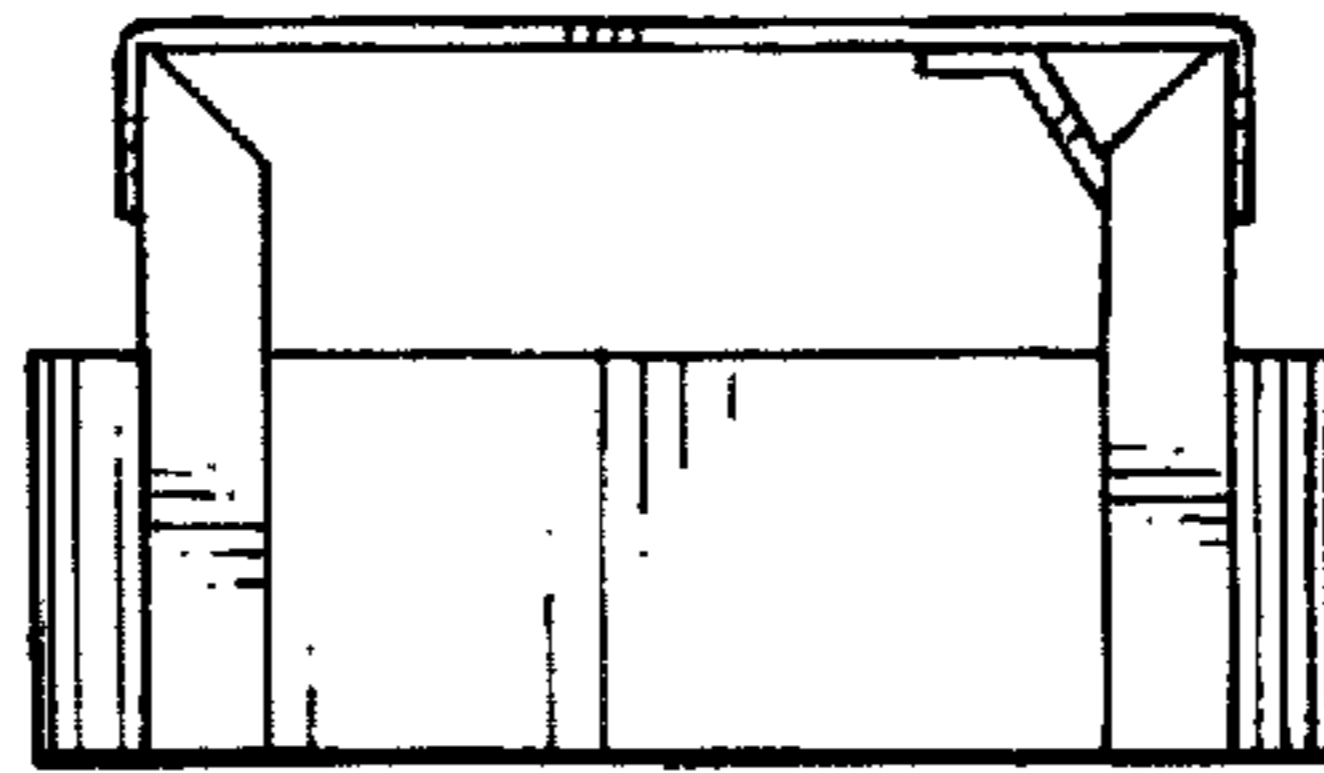


FIG. 4

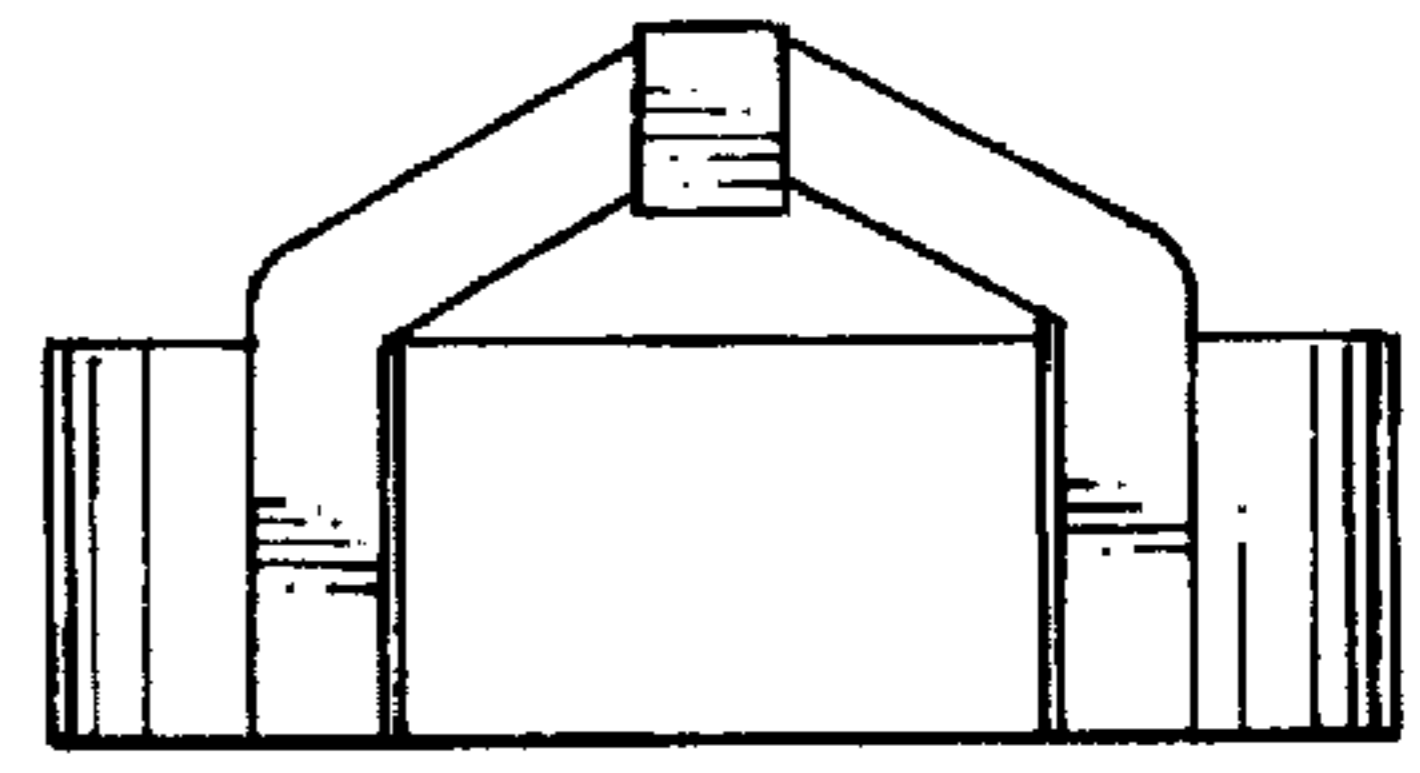


FIG. 5

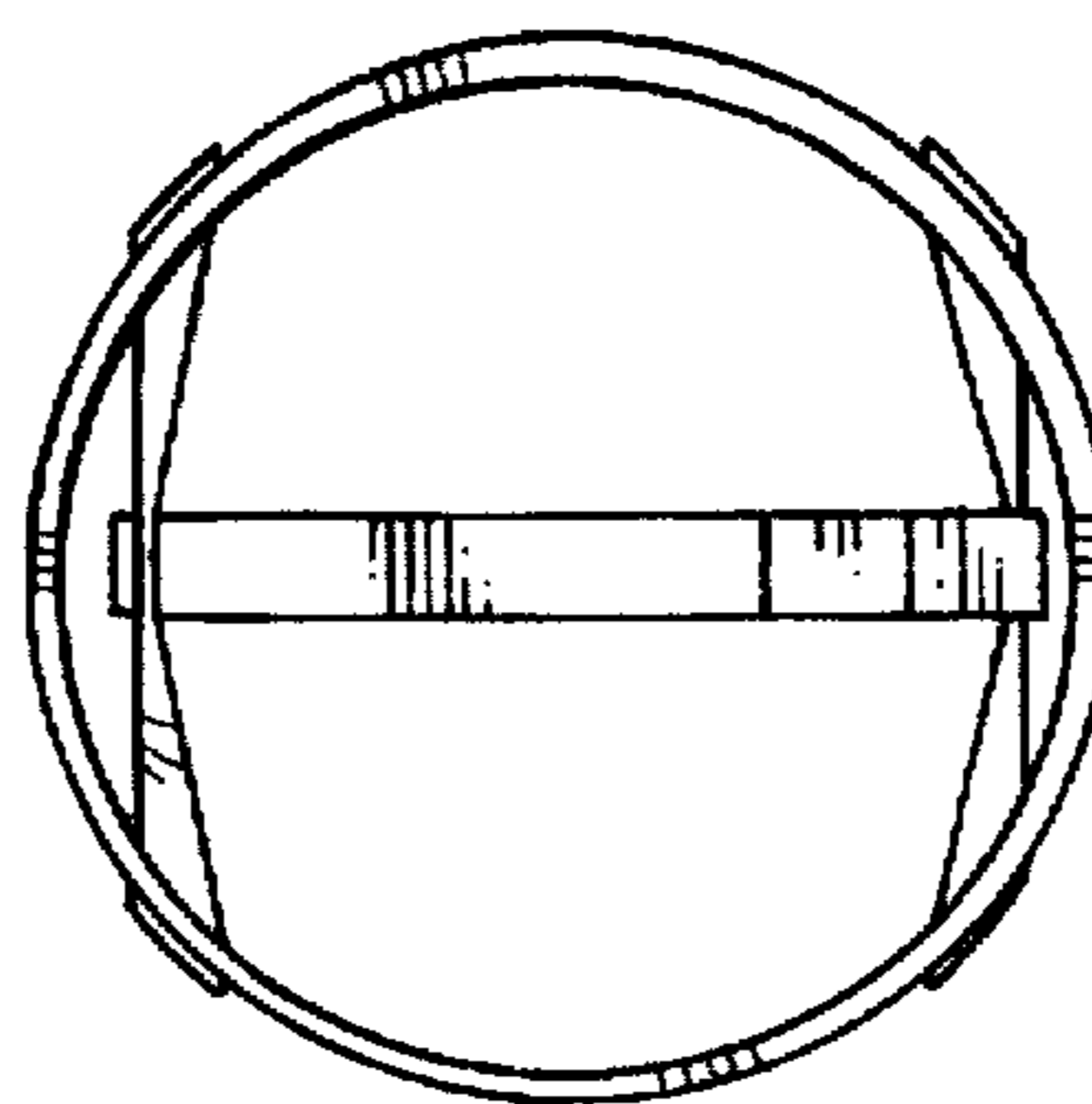


FIG. 6

