



US00D392434S

# United States Patent [19] Garner

[11] Patent Number: **Des. 392,434**  
[45] Date of Patent: **\*\*Mar. 17, 1998**

[54] **LOTTERY TICKET SCRATCHER**  
[76] Inventor: **Larry Garner, 2784 Martin St., Sarasota, Fla. 34237**  
[\*\*] Term: **14 Years**  
[21] Appl. No.: **66,172**  
[22] Filed: **Feb. 6, 1997**  
[51] LOC (6) Cl. .... **08-05**  
[52] U.S. Cl. .... **D32/46; D4/130; D4/135**  
[58] Field of Search ..... **D32/35, 40, 46, D32/49, 47, 48; 15/236.01, 237, 236.06, 236.09, 112; 30/169, 171, 172; D8/14, 16, 45, 90; D4/130, 132, 136, 135, 116, 118, 129**

D. 311,455 10/1990 Snipes ..... D4/129 X  
D. 347,872 6/1994 Lyman ..... D4/118 X  
5,485,647 1/1996 Durst ..... 15/236.01

*Primary Examiner*—Susan J. Lucas  
*Assistant Examiner*—Cynthia E. Ramirez

### [57] CLAIM

The ornamental design for a lottery ticket scratcher, as shown.

### DESCRIPTION

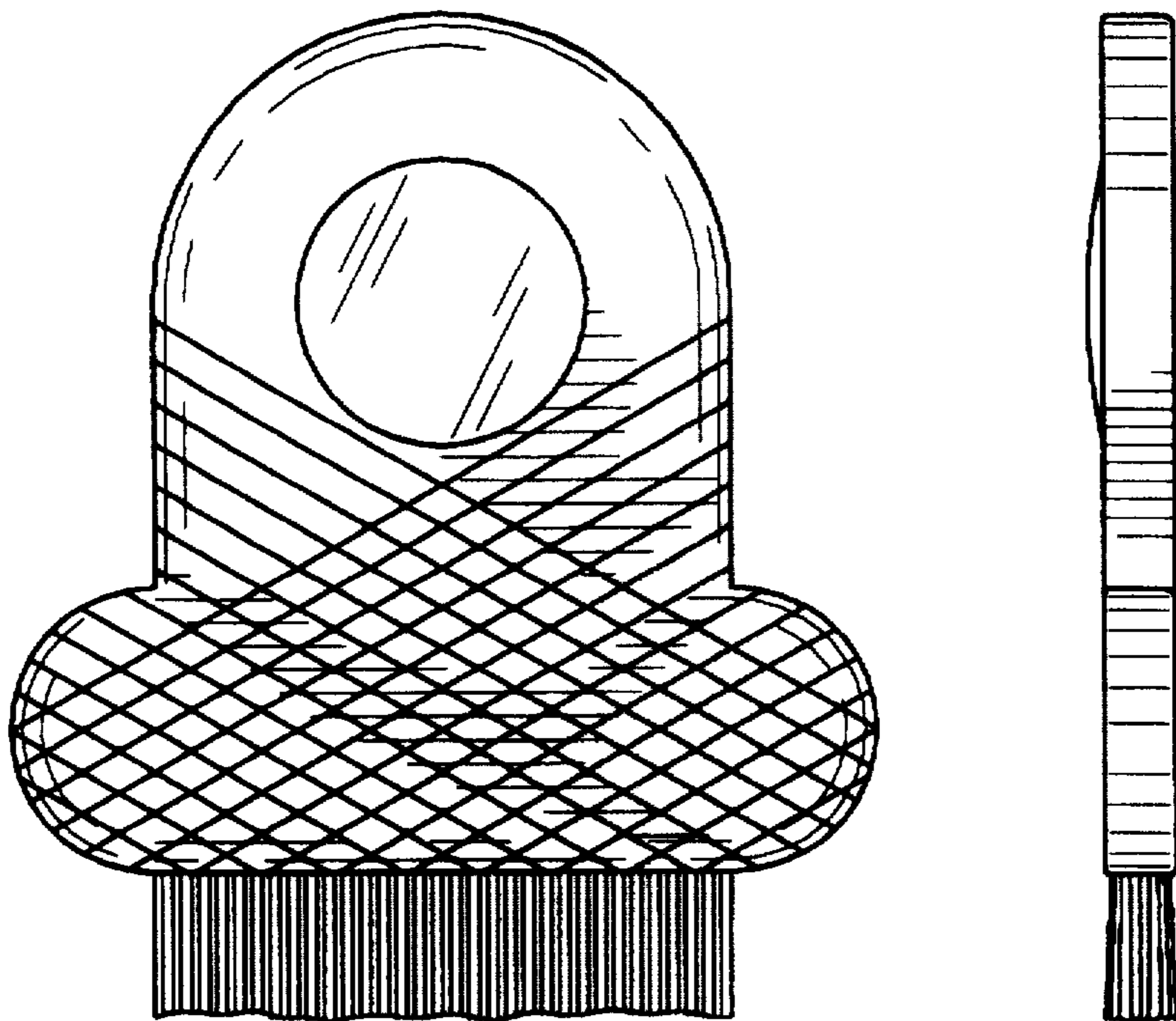
FIG. 1 is a front elevational view of the lottery ticket scratcher of the present invention;  
FIG. 2 is a rear elevational view of the lottery ticket scratcher of FIG. 1;  
FIG. 3 is a left side elevational view of the lottery ticket scratcher of FIG. 1;  
FIG. 4 is a right side elevational view of the lottery ticket scratcher of FIG. 1;  
FIG. 5 is a top plan view of the lottery ticket scratcher of FIG. 1; and,  
FIG. 6 is a bottom plan view of the lottery ticket scratcher of FIG. 1.

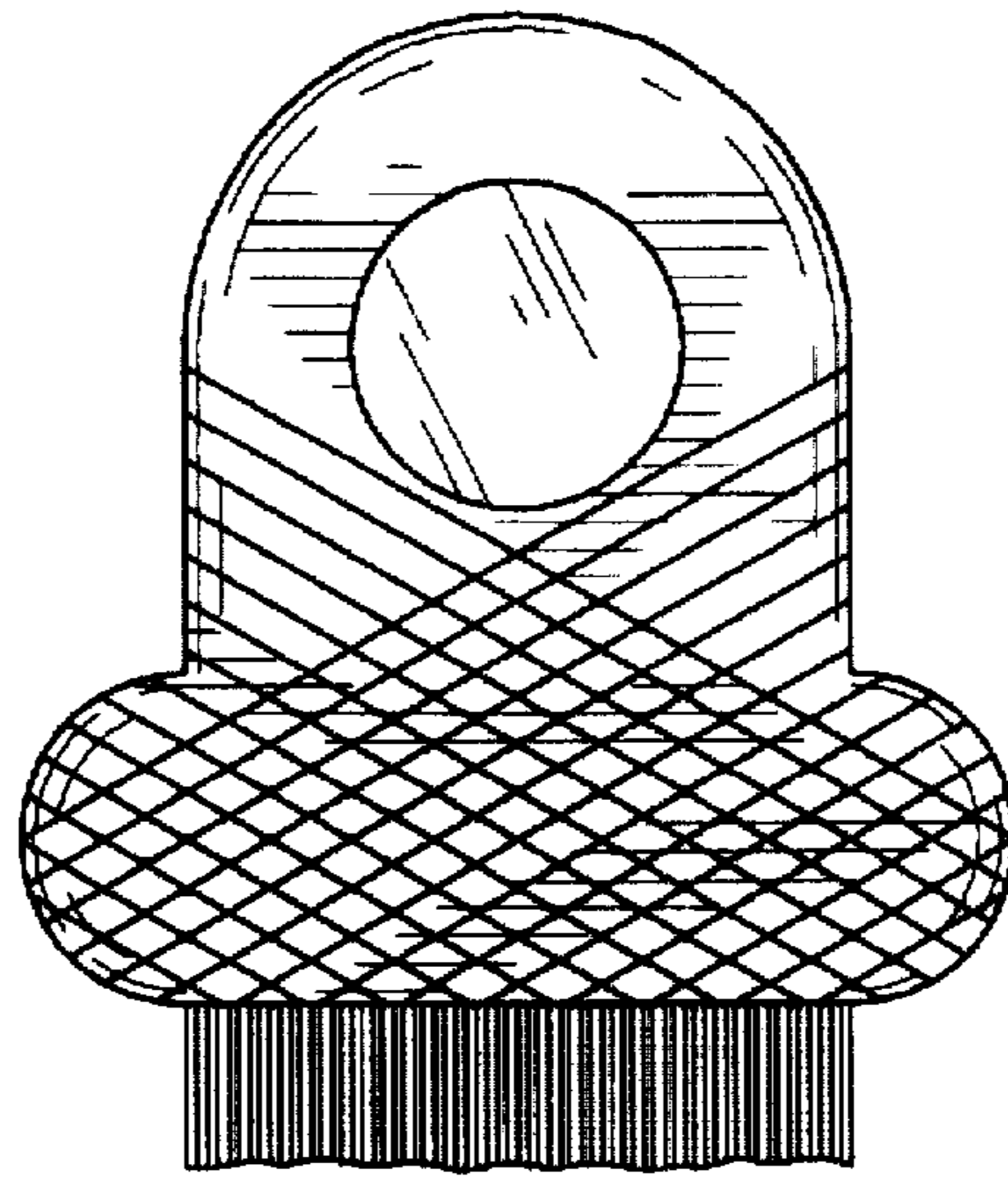
### [56] References Cited

#### U.S. PATENT DOCUMENTS

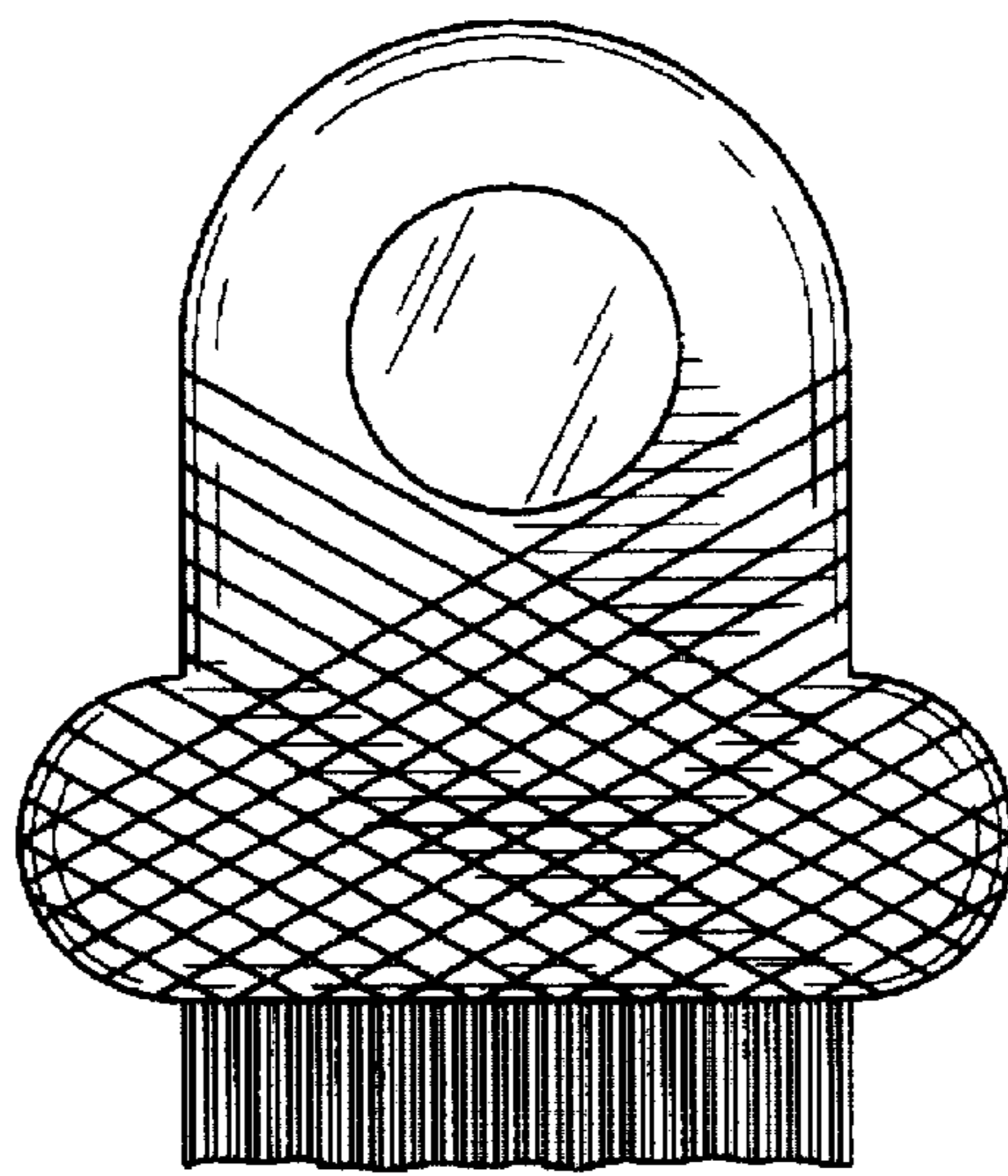
D. 209,842 1/1968 Anderson ..... D4/118 X  
D. 218,388 8/1970 Whitaker ..... D4/118  
D. 222,576 11/1971 Balzano ..... D8/347  
D. 245,462 8/1977 Hauf et al. .... D4/129  
D. 286,337 10/1986 Wilkie, Jr. .... D4/118 X

**1 Claim, 2 Drawing Sheets**

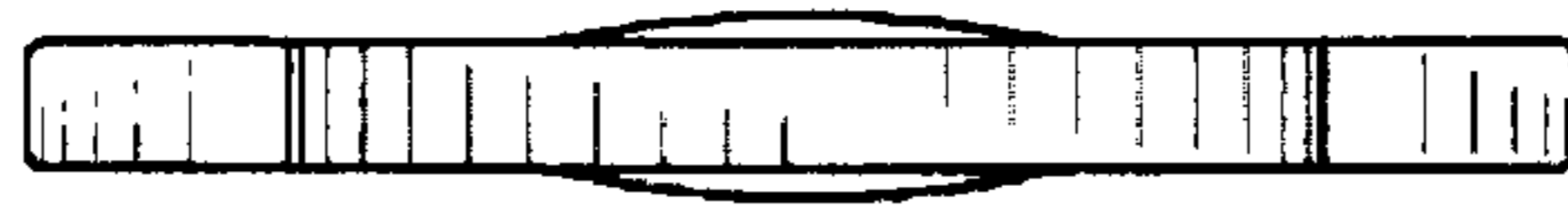




*Fig. 2*



*Fig. 1*



*Fig. 5*



*Fig. 6*



*Fig. 3*



*Fig. 4*