



US00D392426S

# United States Patent [19] DaSilveira

[11] Patent Number: Des. 392,426

[45] Date of Patent: \*\*Mar. 17, 1998

[54] ADJUSTABLE STANCHION

[76] Inventor: John A. DaSilveira, P.O. Box 1408,  
Lovington, N. Mex. 88260

[\*\*] Term: 14 Years

[21] Appl. No.: 38,150

[22] Filed: Mar. 31, 1995

### Related U.S. Application Data

[63] Continuation-in-part of Ser. No. 347,714, Dec. 1, 1994, Pat. No. 5,645,015.

[51] LOC (6) Cl. .... 30-02

[52] U.S. Cl. .... D30/119; D30/144

[58] Field of Search .... D30/119; 119/904,  
119/739-741, 750, 745

### [56] References Cited

#### U.S. PATENT DOCUMENTS

Re. 32,728	8/1988	Albers, Sr.	
Re. 34,232	4/1993	DaSilveira	119/740
D. 320,482	10/1991	DaSilveira	D30/119
D. 326,340	5/1992	DaSilveira	D30/119
4,037,566	7/1977	Albers	119/745
4,457,265	7/1984	Anderson	119/750
4,476,815	10/1984	Albers, Sr.	119/750
4,495,897	1/1985	Albers, Sr.	119/750
4,930,452	6/1990	DaSilveira	119/740
5,178,096	1/1993	Lock	
5,289,798	3/1994	Lock	
5,373,813	12/1994	DaSilveira	119/740

#### FOREIGN PATENT DOCUMENTS

212175	1/1958	Australia	D30/108
484244	6/1952	Canada	D30/108

2423979	11/1979	France	
2316736	10/1974	Germany	119/740
1297774	3/1987	U.S.S.R.	
799807	8/1958	United Kingdom	119/741

### OTHER PUBLICATIONS

Advertisement of Vandenberg Manufacturing Company, Inc., UDA, Sep. 1994, p. 3.

Advertisement of Albers Dairy Equipment, UDA, Aug. 1994, p. 15.

Advertisement of Vandenberg Manufacturing Company, Inc., UDA, Aug. 1994, p. 3.

Starline Inc. Catalog No.100; Jun. 1936; p. 61; FIG. 900—Star Bull Pen Gate.

Primary Examiner—Cathy Anne MacCormac

Attorney, Agent, or Firm—Novak Druce & Burt

### [57] CLAIM

The ornamental design for an adjustable stanchion, as shown and described.

### DESCRIPTION

FIG. 1 is a left side view of one embodiment of the adjustable stanchion;

FIG. 2 is a front view of one embodiment of the adjustable stanchion;

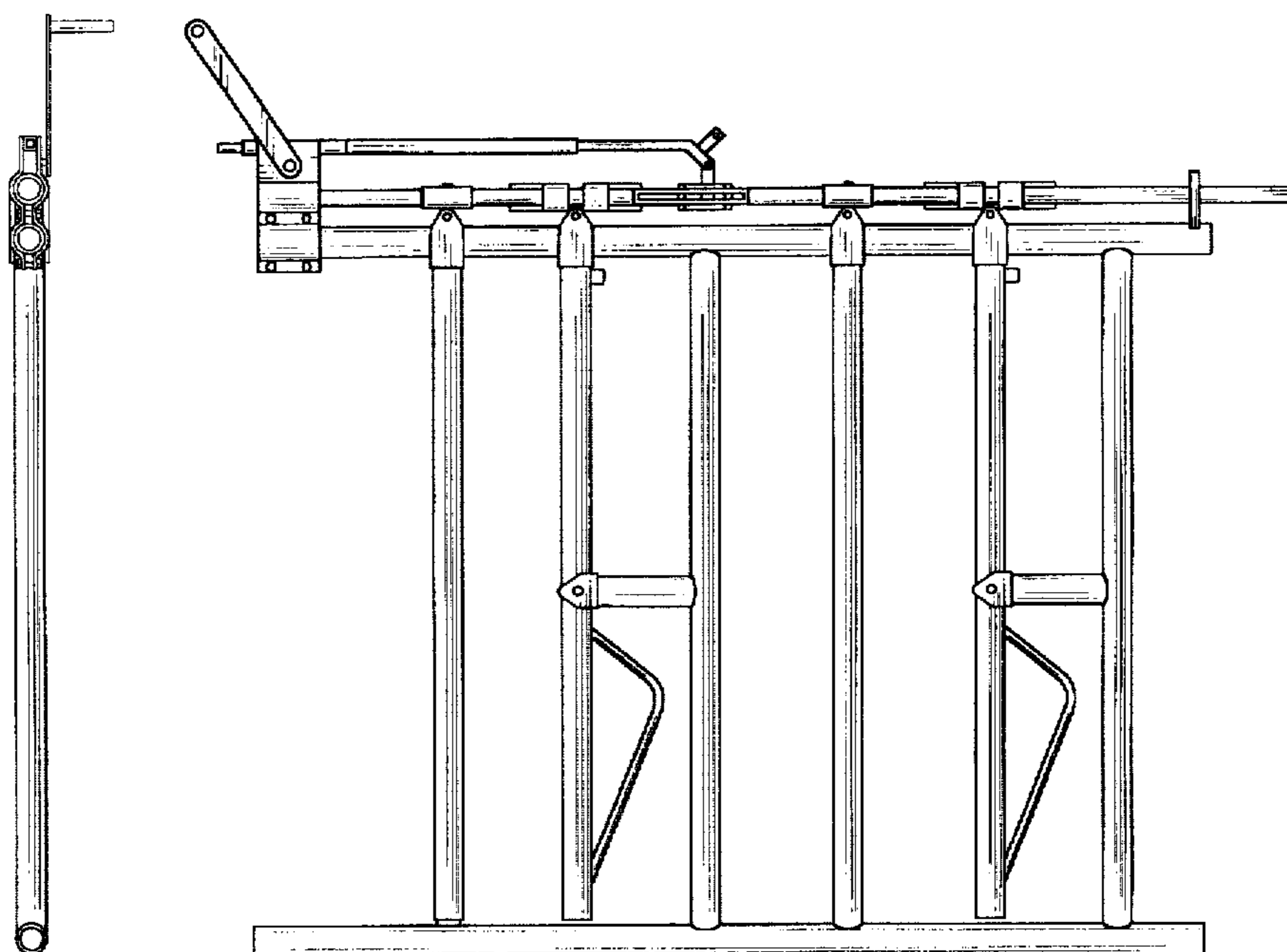
FIG. 3 is a right side view of one embodiment of the adjustable stanchion;

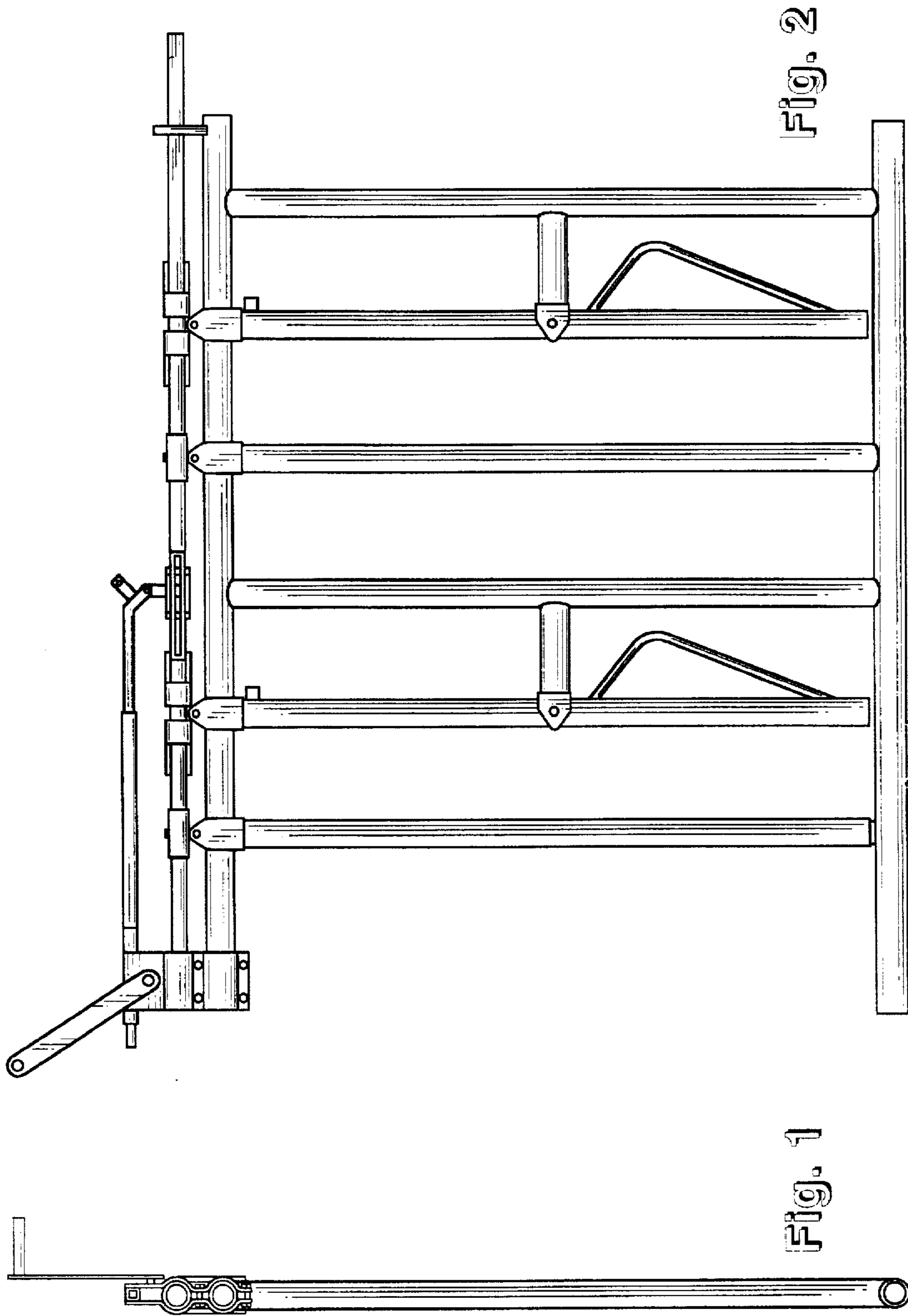
FIG. 4 is a top view of one embodiment of the adjustable stanchion;

FIG. 5 is a bottom view of one embodiment of the adjustable stanchion; and,

FIG. 6 is a back view of one embodiment of the adjustable stanchion.

1 Claim, 3 Drawing Sheets





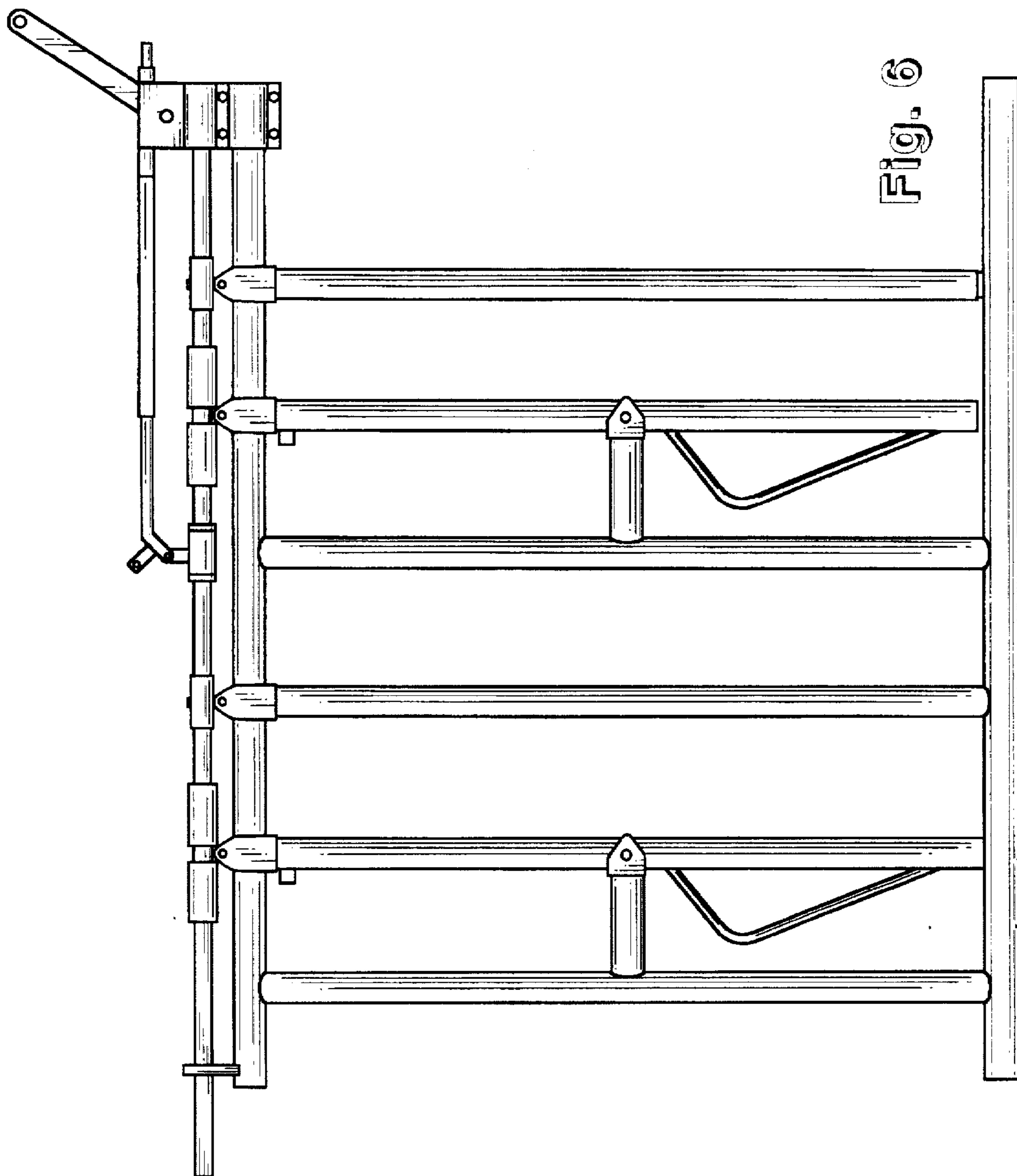


Fig. 6

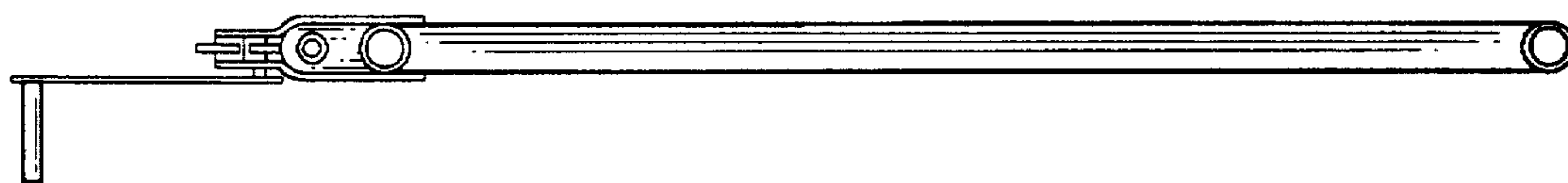


Fig. 3

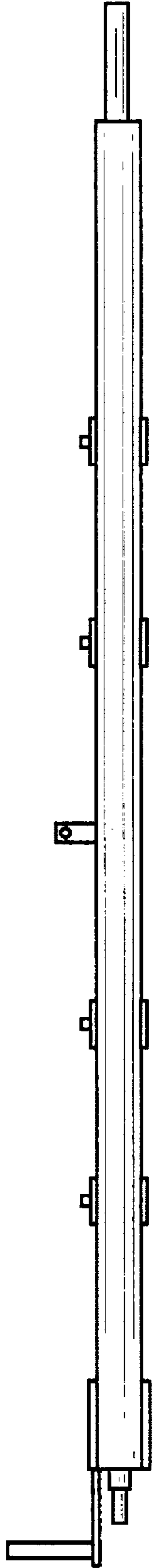


Fig. 5

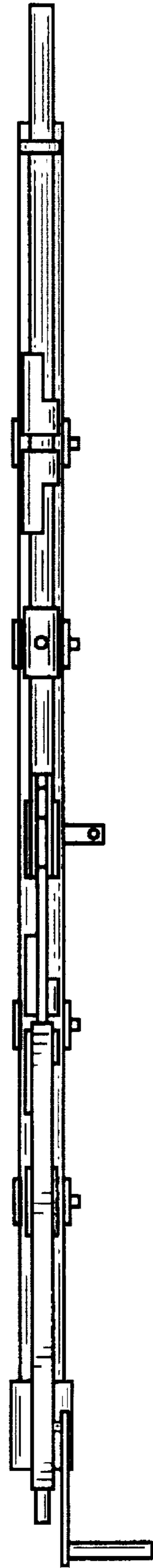


Fig. 4