



US00D392424S

United States Patent [19]

Burys

[11] Patent Number: Des. 392,424

[45] Date of Patent: **Mar. 17, 1998

[54] BACK SCRATCHER

[76] Inventor: John L. Burys, 7204 S. Sacramento, Chicago, Ill. 60629

[**] Term: 14 Years

[21] Appl. No.: 65,644

[22] Filed: Jan. 31, 1997

[51] LOC (6) Cl. 28-99

[52] U.S. Cl. D28/99

[58] Field of Search D24/214, 211, D24/200; 601/118, 119, 122, 123, 125, 126, 128-131, 134-137, 107, 108, 111; D28/99, 63

[56] References Cited

U.S. PATENT DOCUMENTS

- D. 185,246 5/1959 Taran D24/211
- D. 311,605 10/1990 Clayton D28/99

- D. 329,720 9/1992 Feliks D28/99
- D. 330,094 10/1992 Chmura, Jr. D28/99

Primary Examiner—Stella Reid
Attorney, Agent, or Firm—Jack Shore

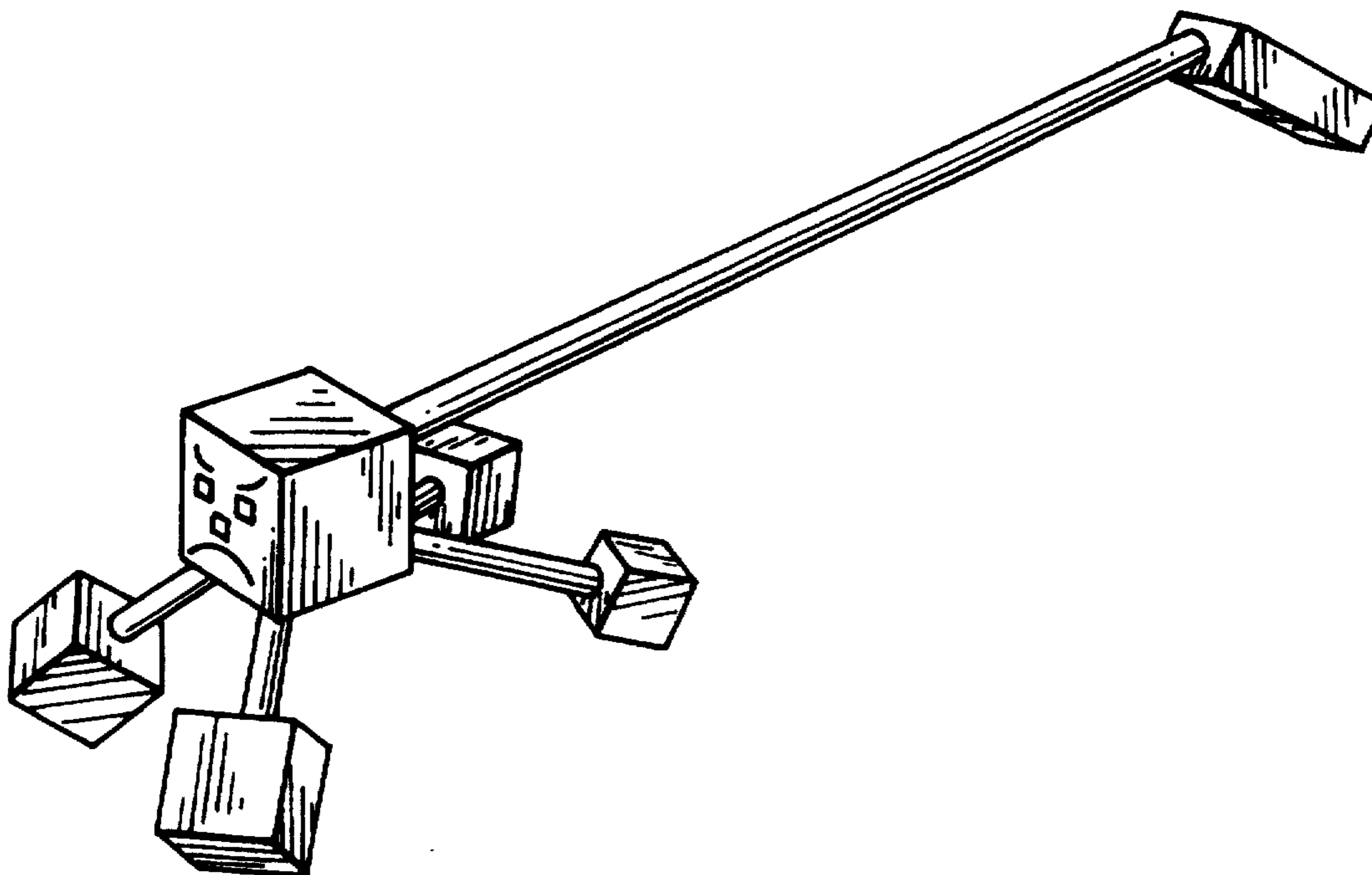
[57] CLAIM

The ornamental design for a back scratcher, as shown and described.

DESCRIPTION

FIG. 1 is a perspective view of a back scratcher embodying my new design;
 FIG. 2 is a front view thereof;
 FIG. 3 is a rear view thereof;
 FIG. 4 is a bottom view thereof;
 FIG. 5 is a top view thereof; and,
 FIG. 6 is a side view thereof, the opposite side view being identical thereto.

1 Claim, 2 Drawing Sheets



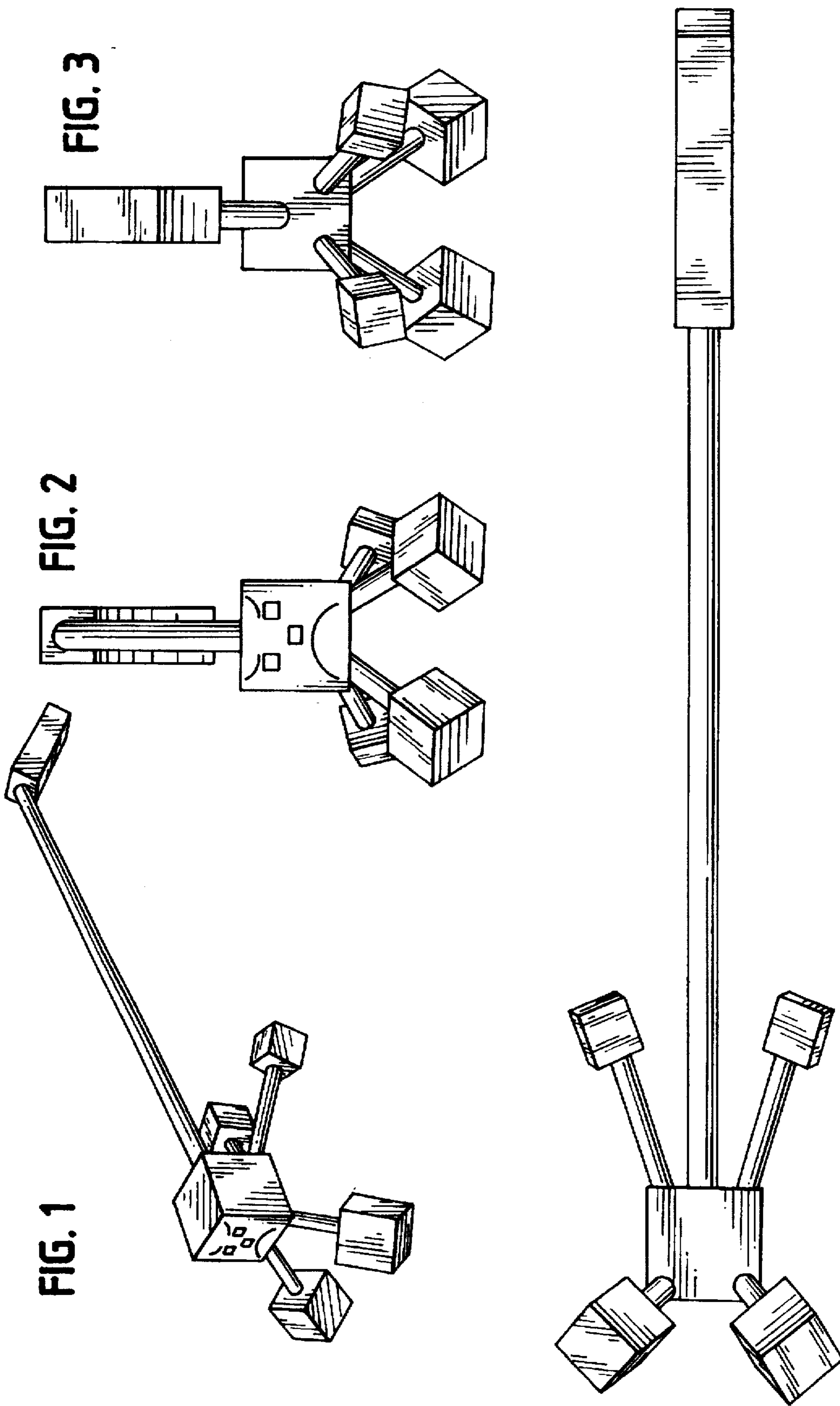


FIG. 3

FIG. 2

FIG. 1

FIG. 4

FIG. 5

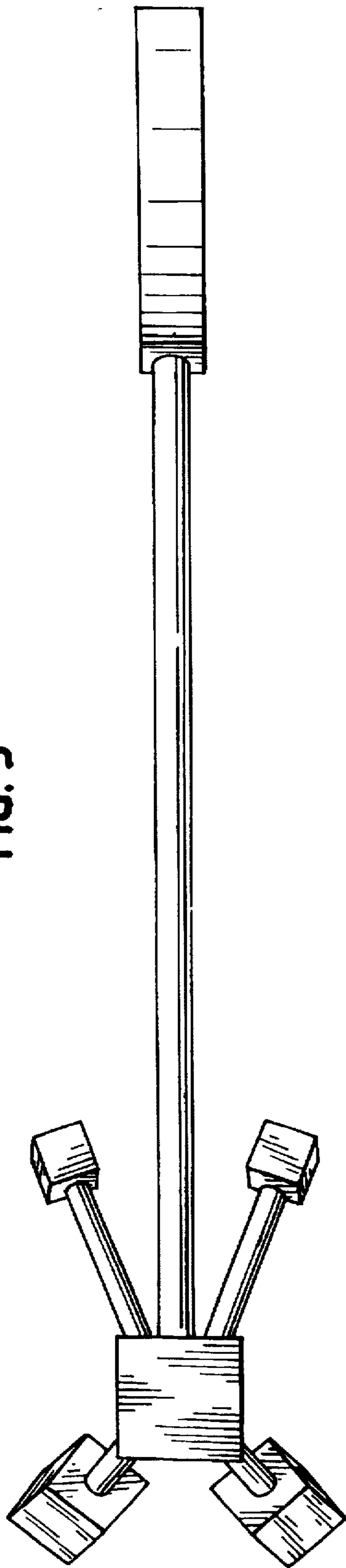


FIG. 6

