



US00D392419S

United States Patent [19]
Litton

[11] **Patent Number: Des. 392,419**
[45] **Date of Patent: **Mar. 17, 1998**

[54] **FINGERNAIL CLIPPER**

[75] **Inventor: Garfield Litton, Glenrock, N.J.**

[73] **Assignee: Revlon Consumer Products Corporation, New York, N.Y.**

[**] **Term: 14 Years**

[21] **Appl. No.: 59,712**

[22] **Filed: Aug. 28, 1996**

[51] **LOC (6) Cl. 28-03**

[52] **U.S. Cl. D28/60**

[58] **Field of Search D28/60, 62; 132/73, 132/73.5, 75.3, 75.4, 75.5, 75.6, 76.2; 30/26, 28**

2,124,615	7/1938	Foltz .	
2,179,435	11/1939	Smith	D28/60 X
2,370,026	2/1945	Elia .	
2,664,624	1/1954	Bassett	D28/60 X
2,677,179	5/1954	Servilla .	
2,724,179	11/1955	Baer	D28/60 X
2,931,100	4/1960	Wertepny .	
3,261,094	7/1966	Bliss	D28/60 X
4,648,415	3/1987	Yuan	132/73
5,226,849	7/1993	Johnson	132/73 X
5,459,926	10/1995	Perea	30/28
5,490,327	2/1996	Ohori	132/75.5 X

Primary Examiner—Ted Shooman
Assistant Examiner—C. Tuttle
Attorney, Agent, or Firm—Julie Blackburn

[57] **CLAIM**

The ornamental design for a fingernail clipper, as shown and described.

DESCRIPTION

FIG. 1: is a front perspective view of the clipper;
FIG. 2: is a right side elevational view of the clipper;
FIG. 3: is a left side elevational view of the clipper;
FIG. 4: is a top plan view of the clipper;
FIG. 5: is a bottom plan view of the clipper;
FIG. 6: is a front elevational view of the clipper; and,
FIG. 7: is a back elevational view of the clipper.
The undisclosed and partially obscured surfaces of the design follow the contours of the portions visible.

1 Claim, 3 Drawing Sheets

[56] **References Cited**

U.S. PATENT DOCUMENTS

D. 94,030	12/1934	Hults	D28/59
D. 195,614	7/1963	Sacko	D28/60
D. 198,660	7/1964	Britton	D28/60
D. 205,589	8/1966	Laughlin .	
D. 254,090	1/1980	Perry .	
D. 294,303	2/1988	Giovagnoni	D28/59
D. 308,736	6/1990	Pina	D28/60
D. 309,038	7/1990	Ladora	D28/60
D. 329,306	9/1992	Rommerdale	D28/62
D. 351,329	10/1994	Harris .	
D. 355,831	2/1995	Hull .	
D. 364,246	11/1995	Conerly	D28/60

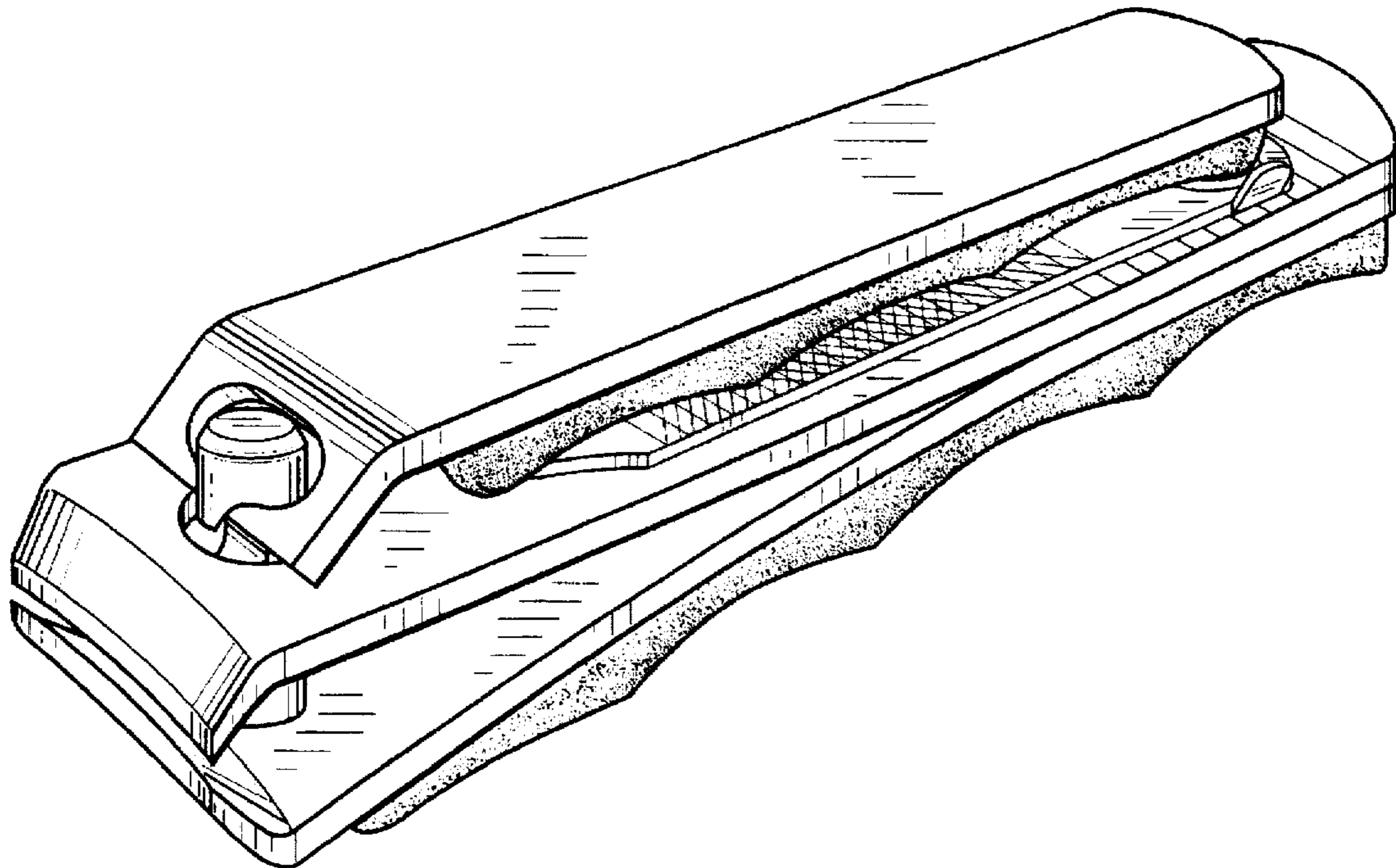


FIG. 1

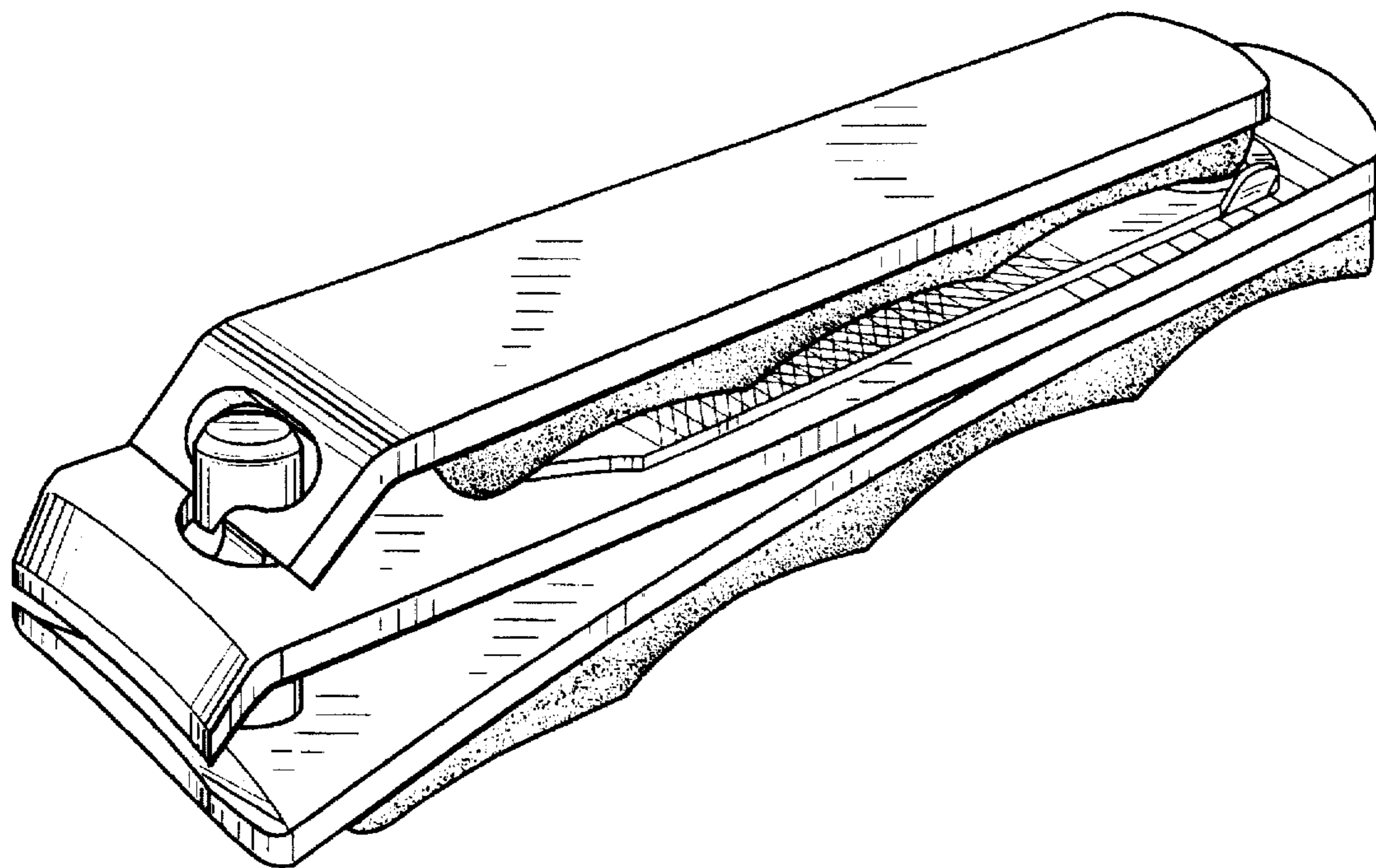


FIG. 6

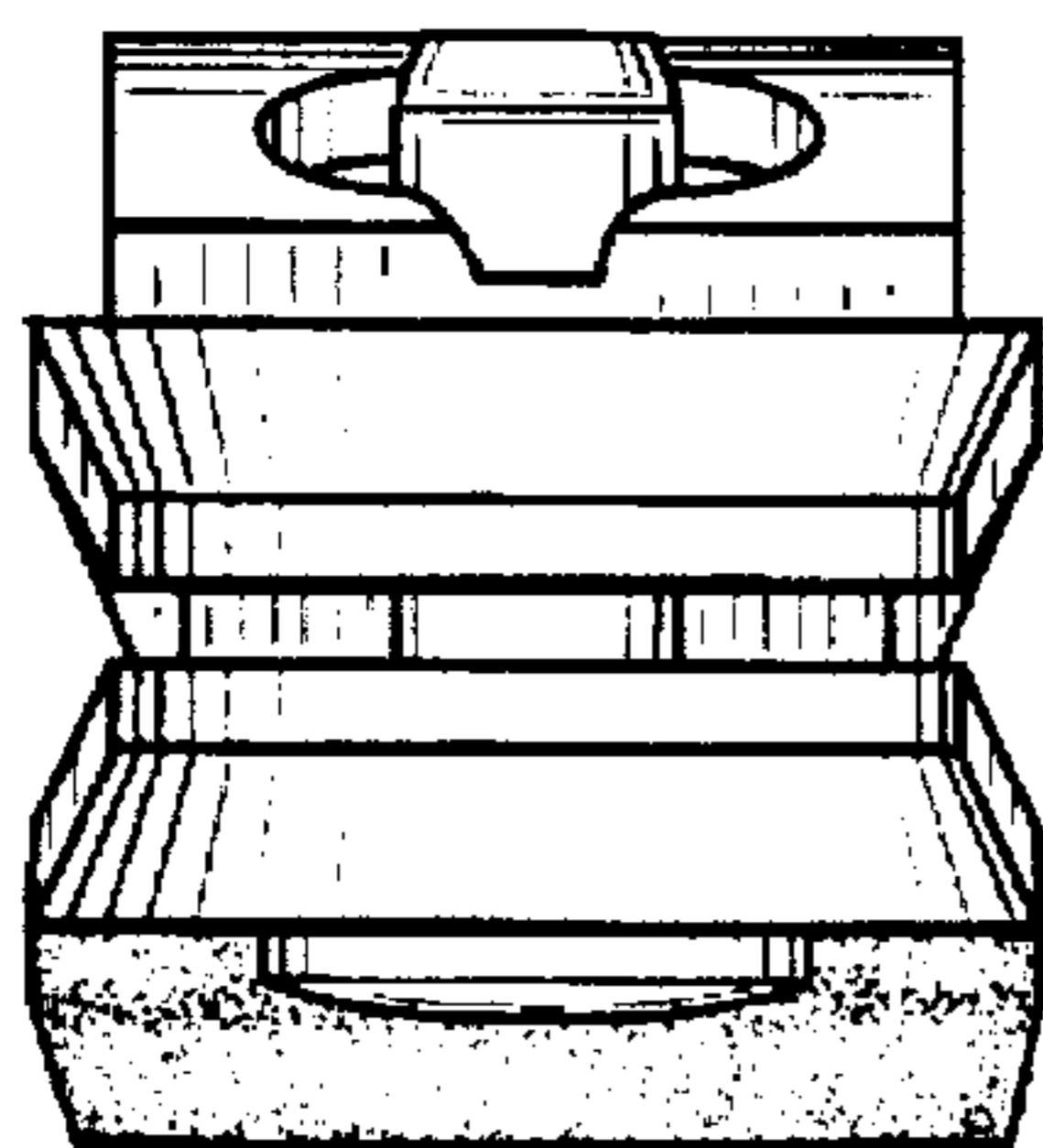


FIG. 7

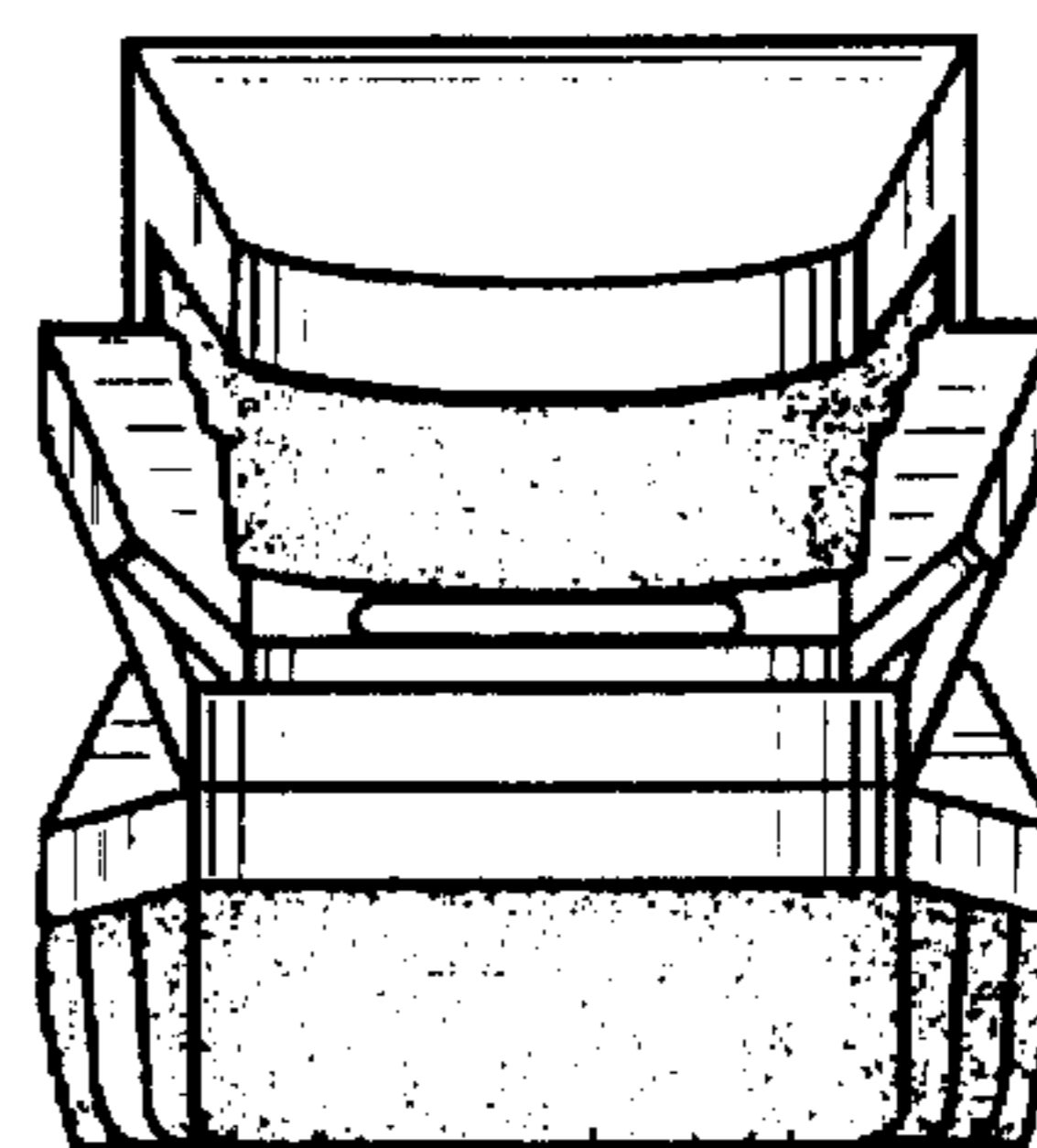


FIG. 2

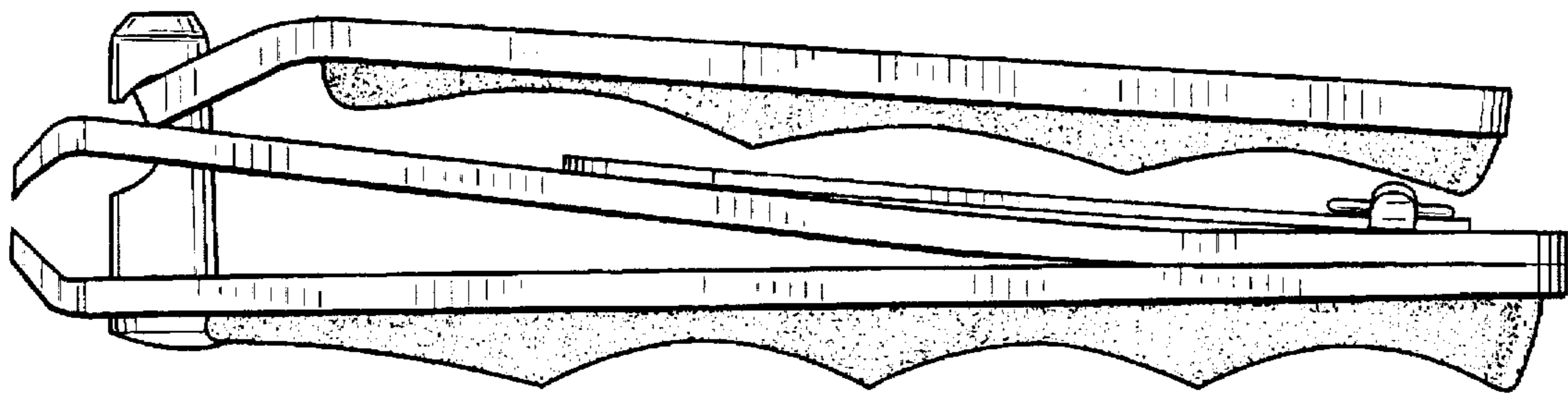


FIG. 3

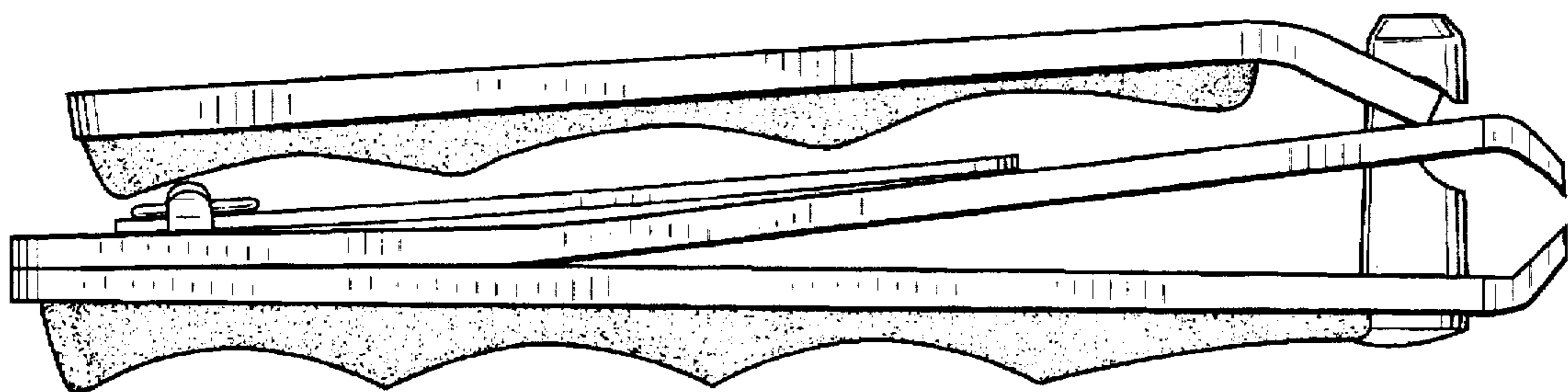


FIG. 4

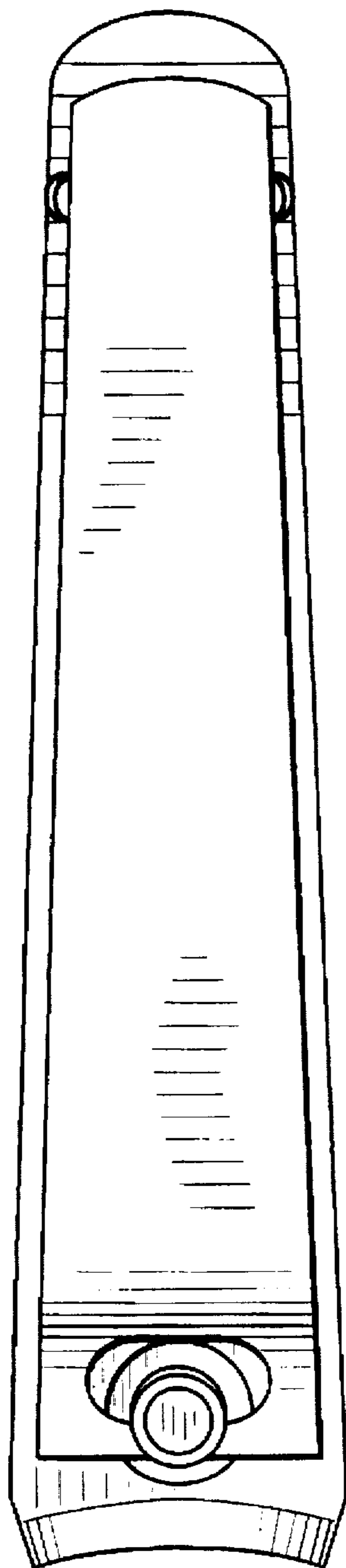


FIG. 5

