



US00D392414S

# United States Patent [19]

Smal

[11] Patent Number: **Des. 392,414**

[45] Date of Patent: **\*\*Mar. 17, 1998**

[54] **COMBINED HAIR-ROLLER CASE AND HEATER**

[75] Inventor: **Henri Smal**, Blegny, Belgium

[73] Assignee: **Faco S.A.**, Wandre, Belgium

[\*\*] Term: **14 Years**

[21] Appl. No.: **44,331**

[22] Filed: **Sep. 22, 1995**

[30] **Foreign Application Priority Data**

Mar. 24, 1995 [WO] WIPO ..... DM032522

[51] LOC (6) Cl. .... **28-03**

[52] U.S. Cl. .... **D28/38**

[58] Field of Search ..... D28/35, 37, 38, D28/73; 132/227-231, 233, 234, 271, 272; 219/222, 225, 242; D3/205, 242, 243, 273-275, 282-284, 298, 901, 905

[56] **References Cited**

**U.S. PATENT DOCUMENTS**

D. 167,029	6/1952	Donahue et al.	.....	D3/901 X
D. 177,586	5/1956	Palson	.....	D3/295
D. 210,859	4/1968	Schellens	.....	D28/38
D. 300,472	3/1989	Keung	.....	D28/38
D. 348,956	7/1994	Presser	.....	D28/38
4,658,114	4/1987	Hong	.....	132/229 X
5,117,090	5/1992	Askins	.....	219/222

**OTHER PUBLICATIONS**

Housewares, Mar. 7-13, 1988 insert: hairsetter at top.

Primary Examiner—Ted Shooman

Assistant Examiner—C. Tuttle

Attorney, Agent, or Firm—Herbert Dubno

[57] **CLAIM**

The ornamental design for a combined hair-roller case and heater, as shown and described.

**DESCRIPTION**

FIG. 1 is a top, front, left side perspective view of a combined hair-roller case and heater showing my new design and illustrated with the cover open;

FIG. 2 is a left side elevational view thereof with the cover open;

FIG. 3 is a right side elevational view thereof with the cover closed;

FIG. 4 is a rear, top, right side perspective view thereof with the cover open;

FIG. 5 is a top, front, left side perspective view thereof with the cover closed;

FIG. 6 is a rear, top, right side perspective view thereof with the cover closed;

FIG. 7 is a front elevational view thereof with the cover open;

FIG. 8 is a bottom view thereof;

FIG. 9 is a rear elevational view thereof with the cover open;

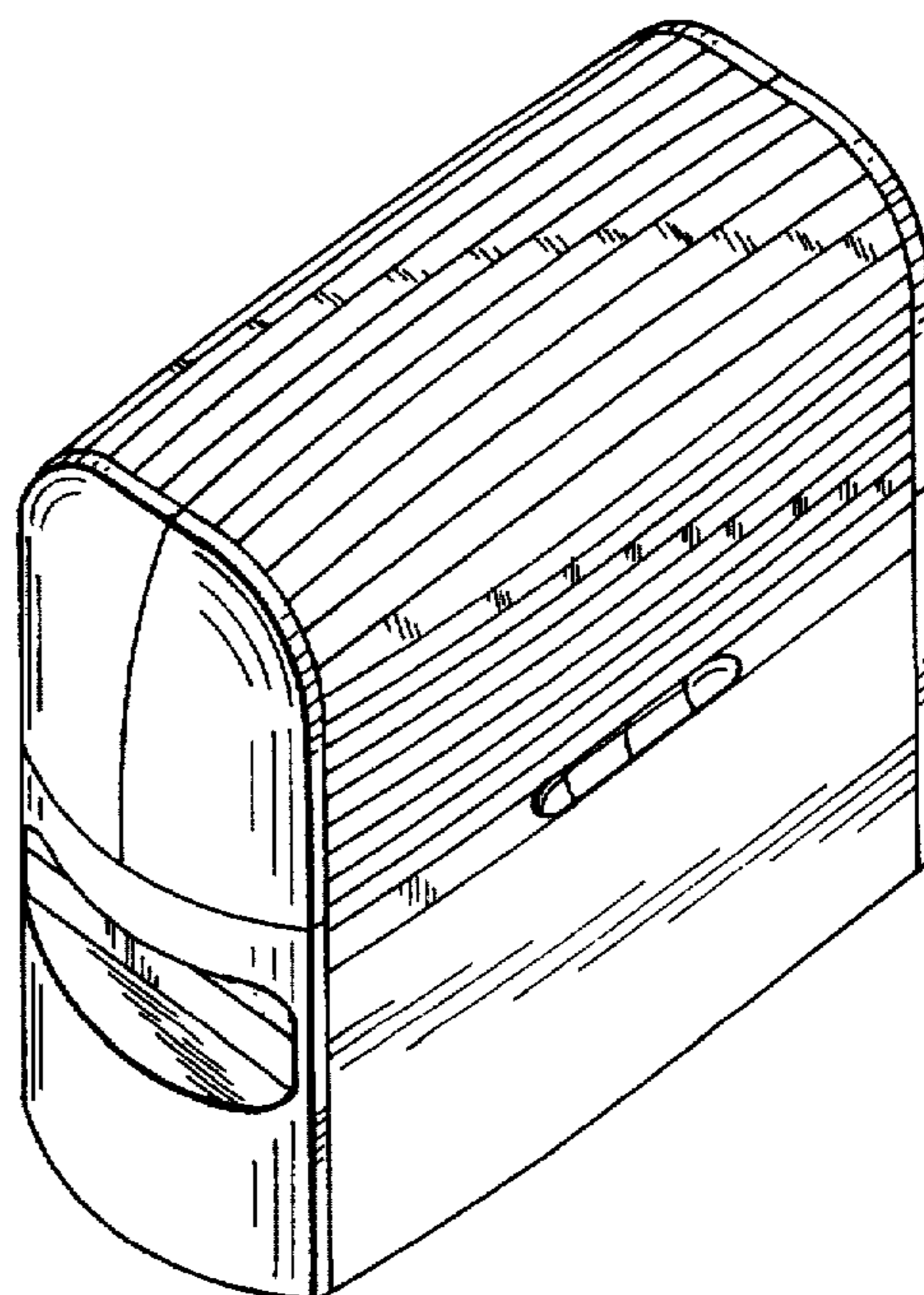
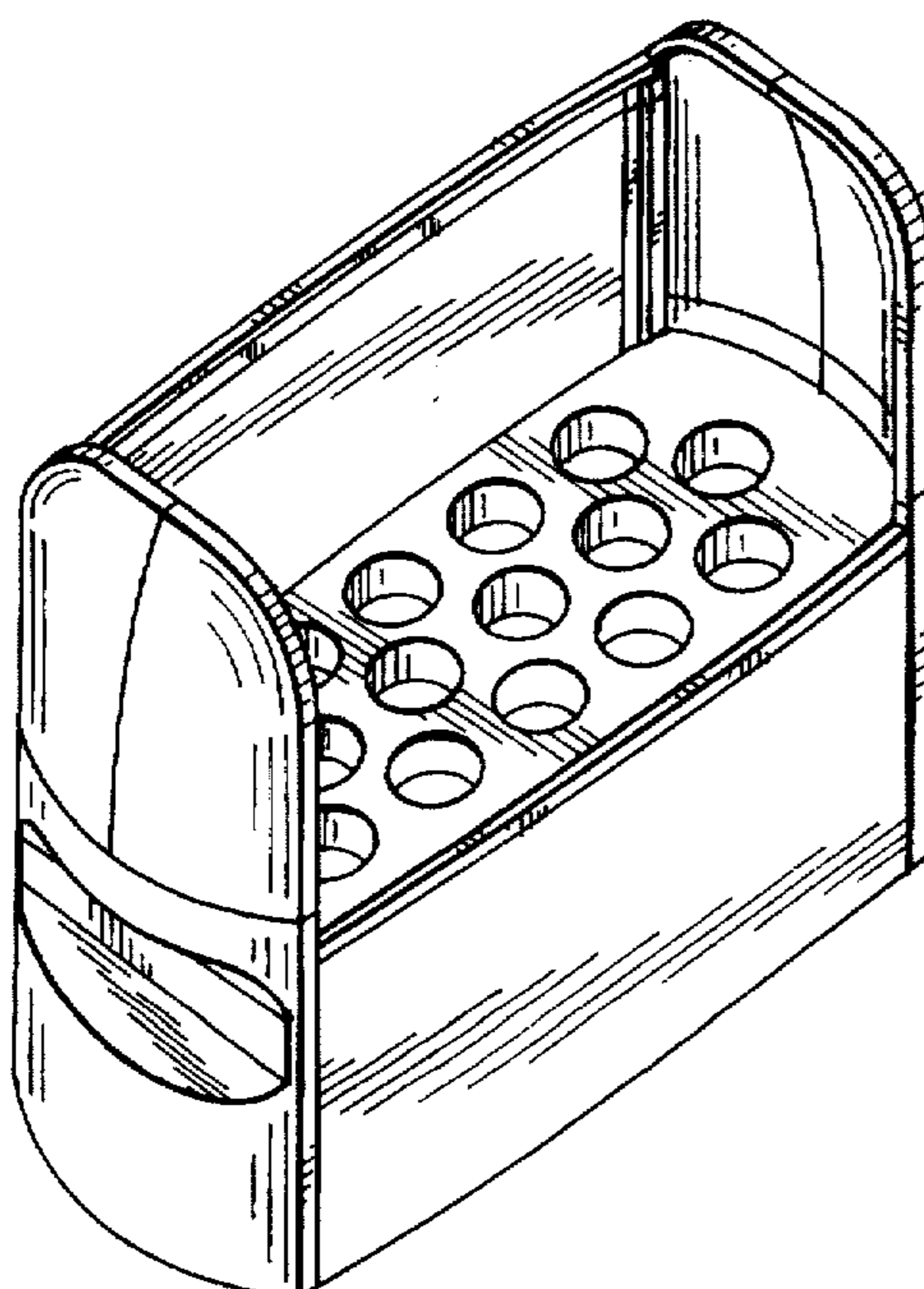
FIG. 10 is a top view thereof with the cover open;

FIG. 11 is a front elevational view thereof with the cover closed;

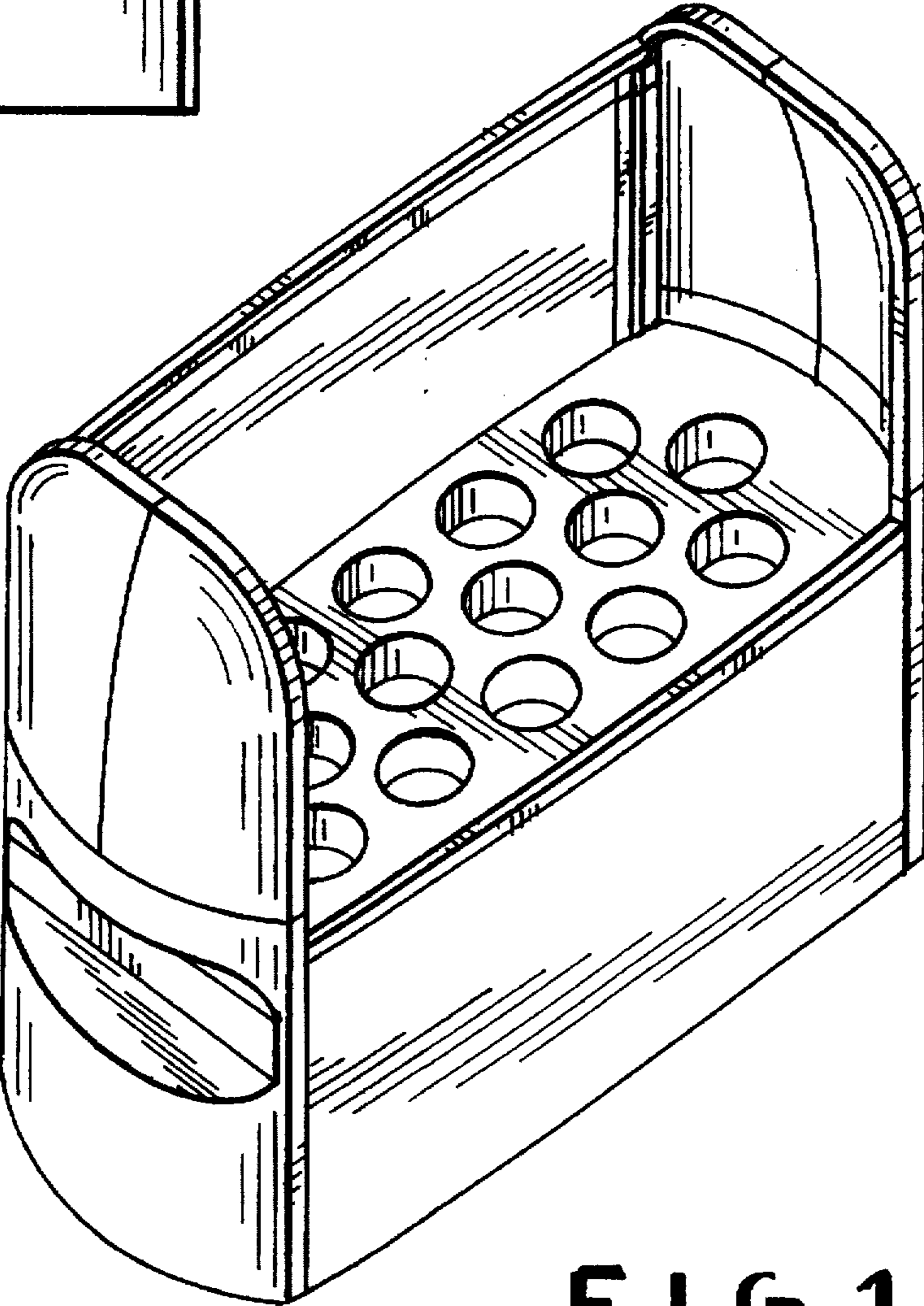
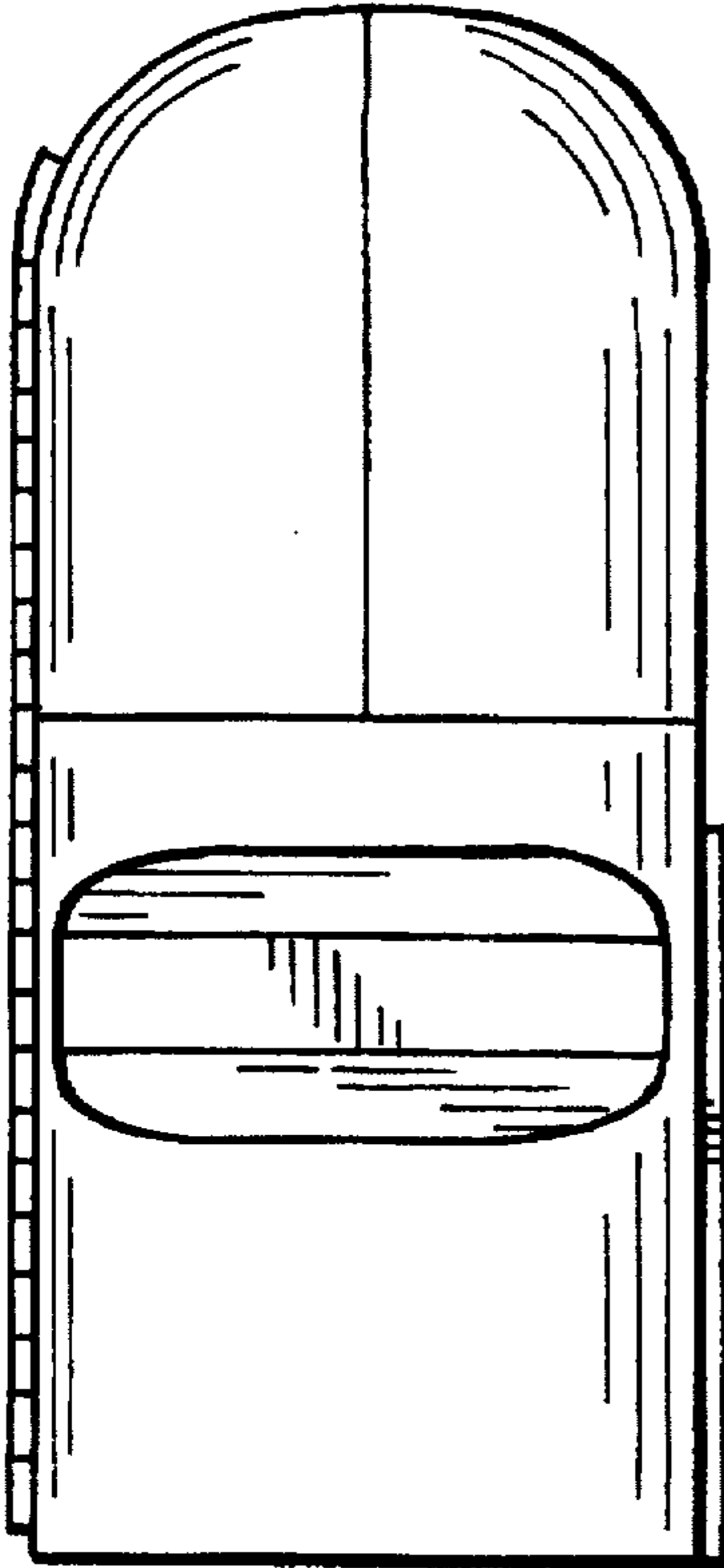
FIG. 12 is a rear elevational view thereof with the cover closed; and,

FIG. 13 is a top view thereof with the cover closed.

**1 Claim, 8 Drawing Sheets**



**FIG. 2**



**FIG. 1**

FIG. 3

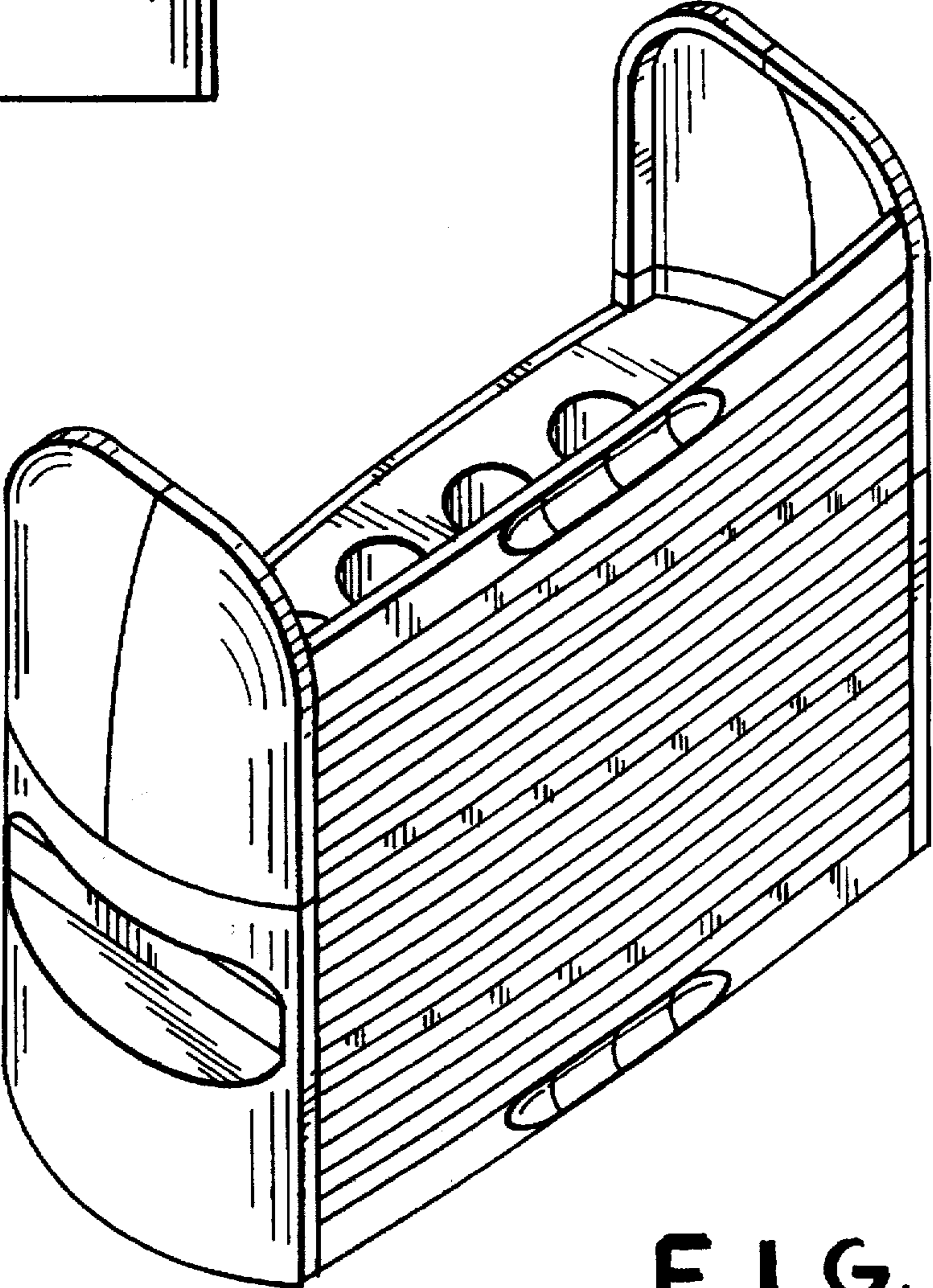
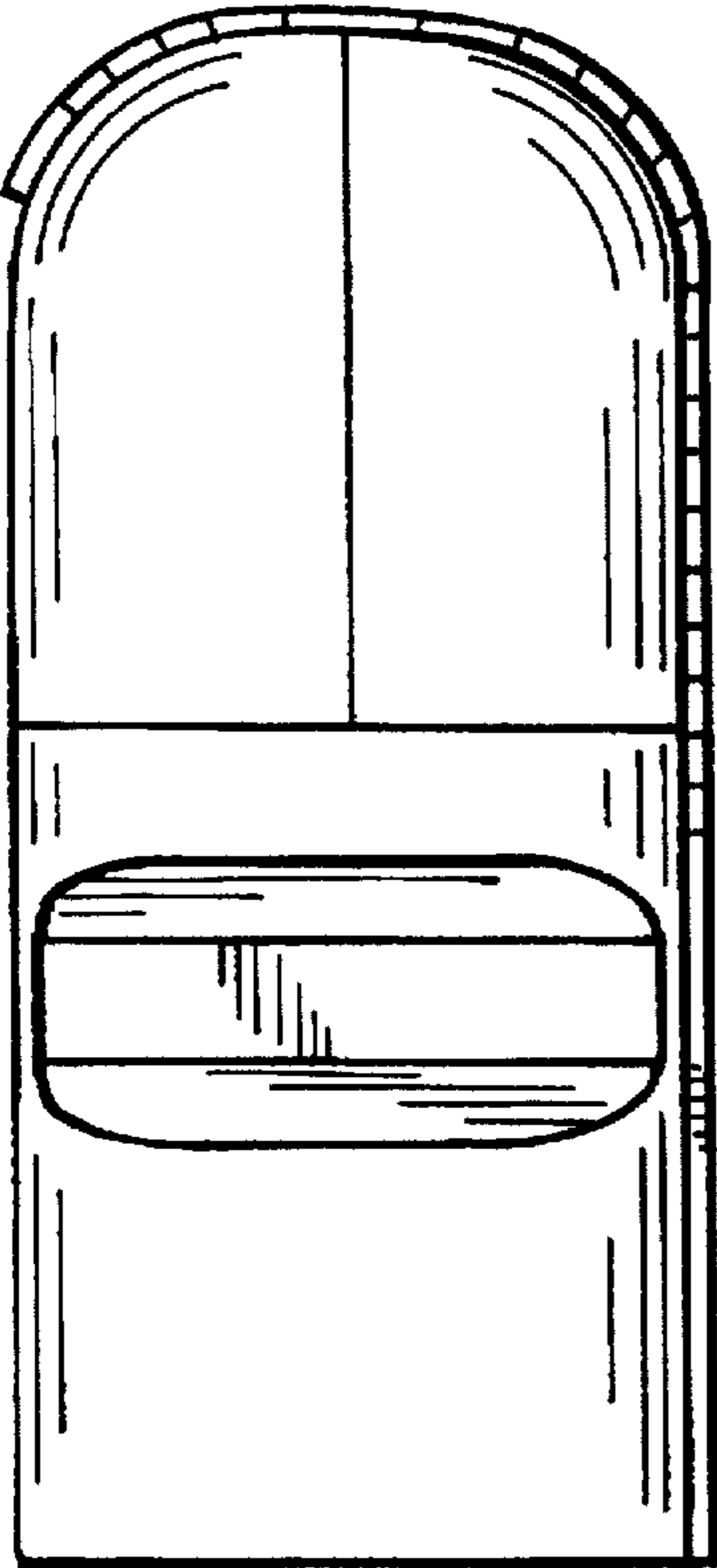
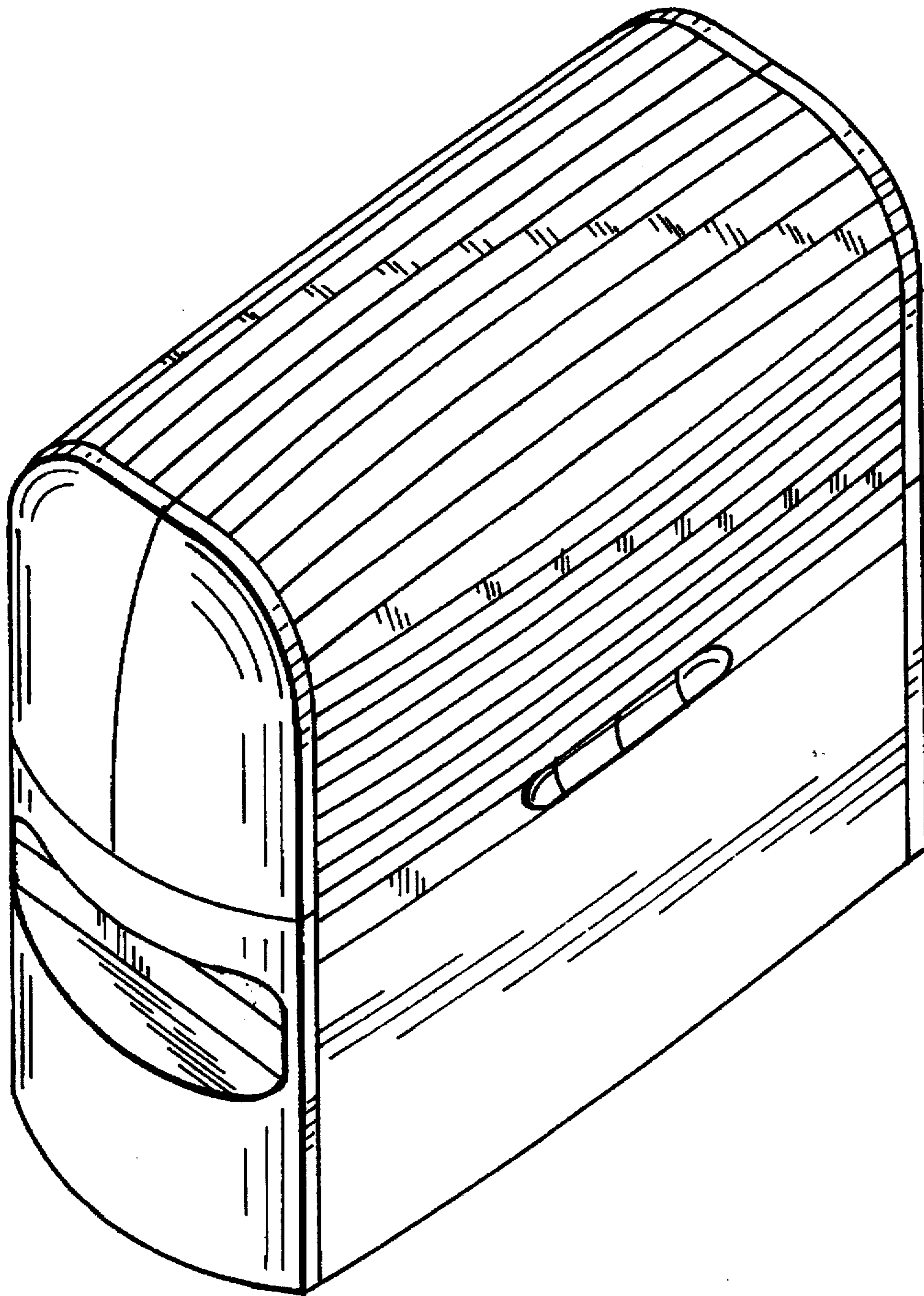
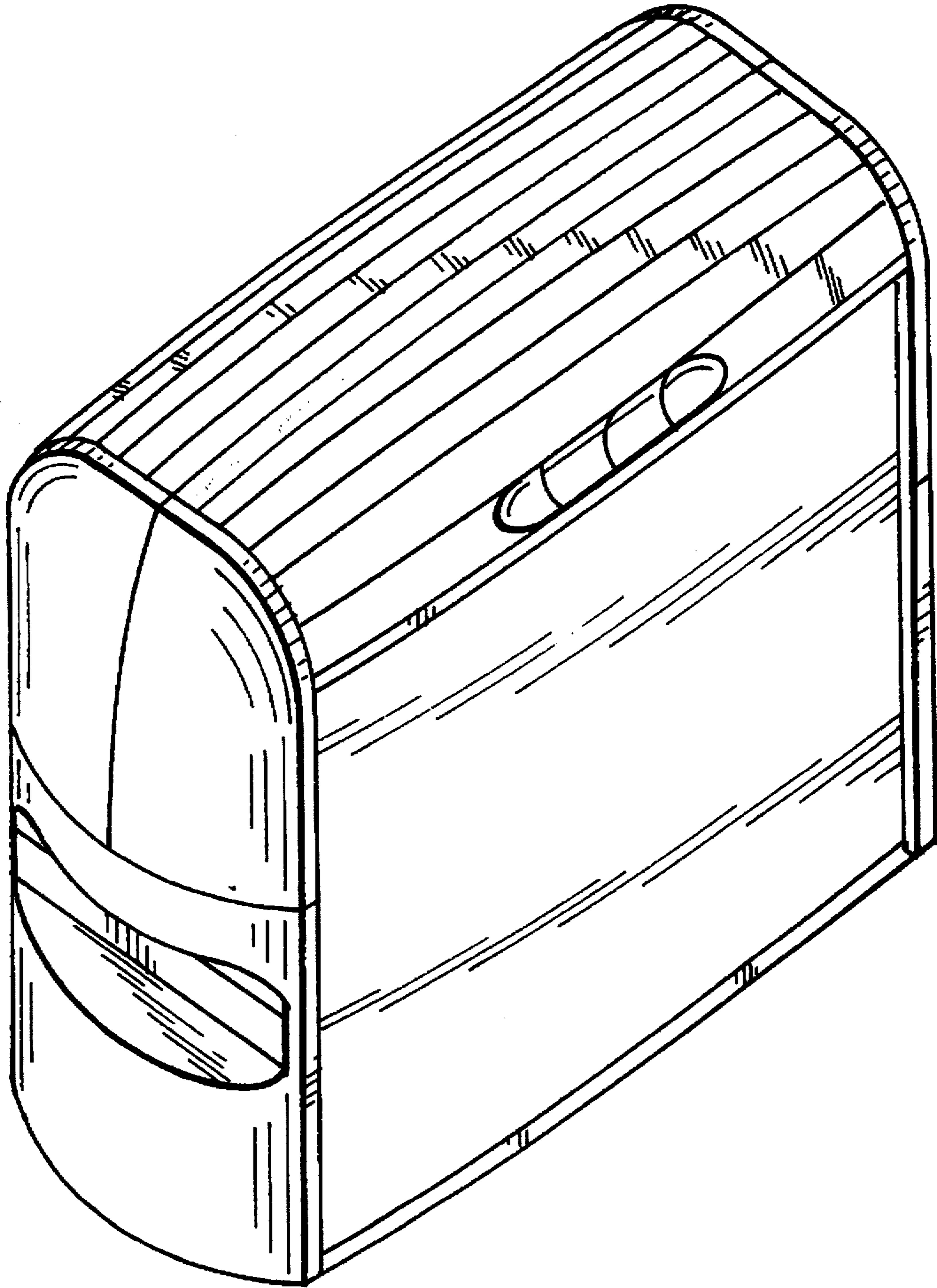


FIG. 4

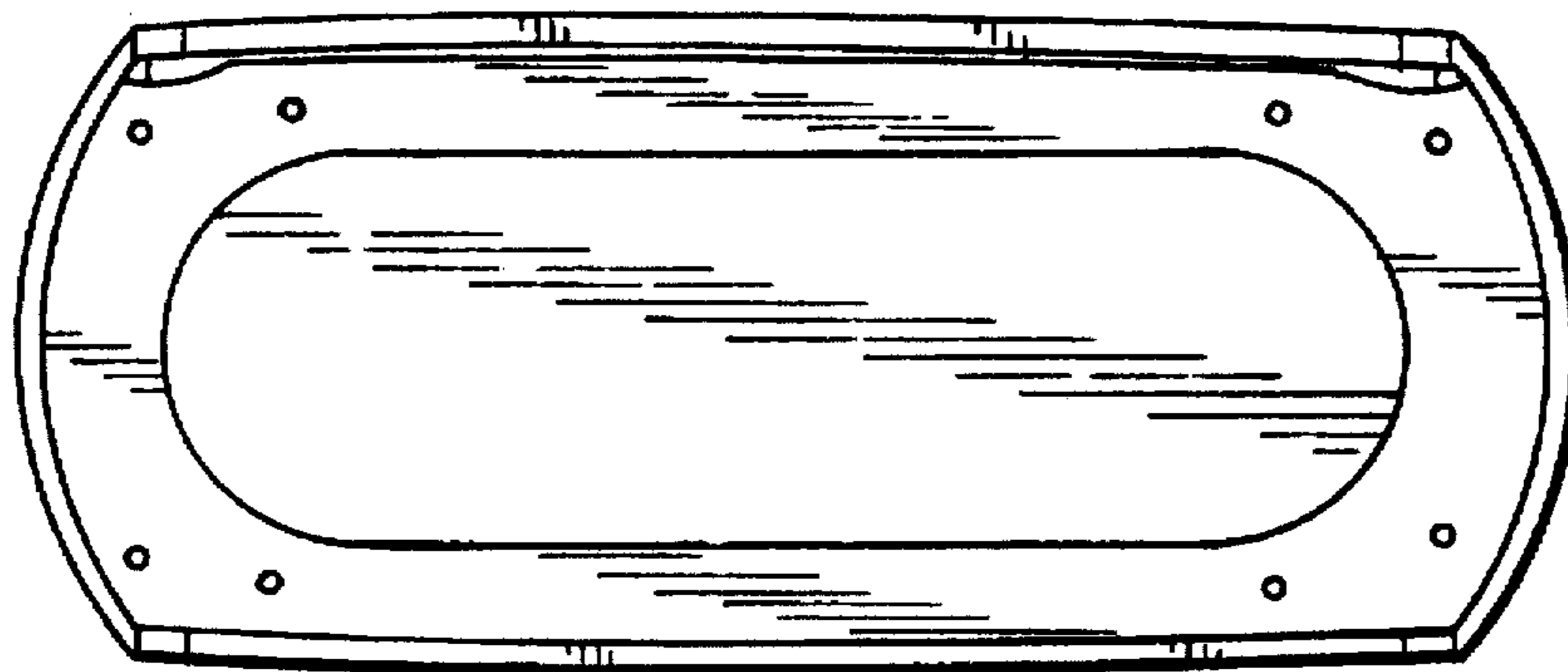
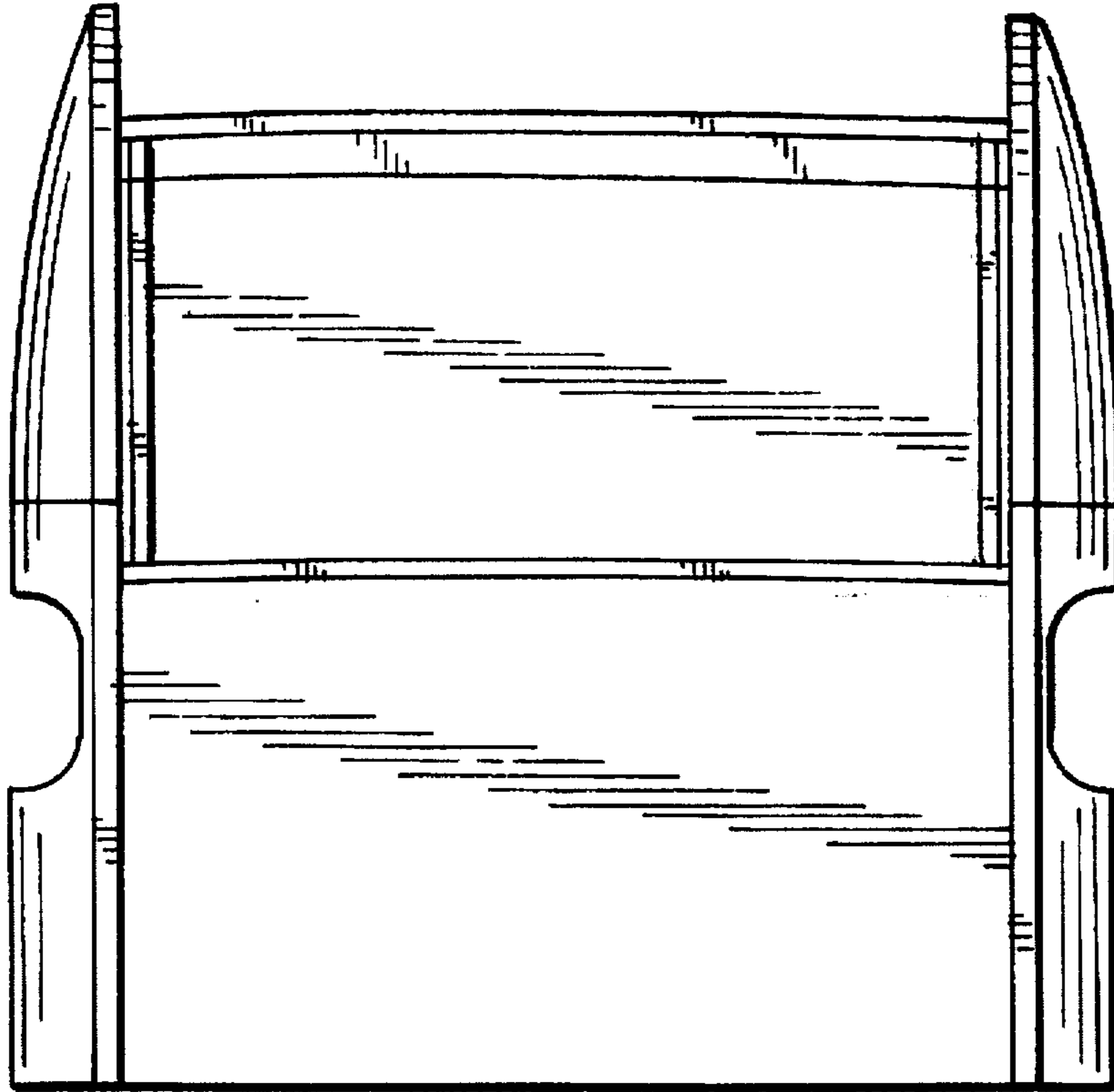
# FIG. 5



# FIG. 6



**FIG. 7**



**FIG. 8**

FIG. 9

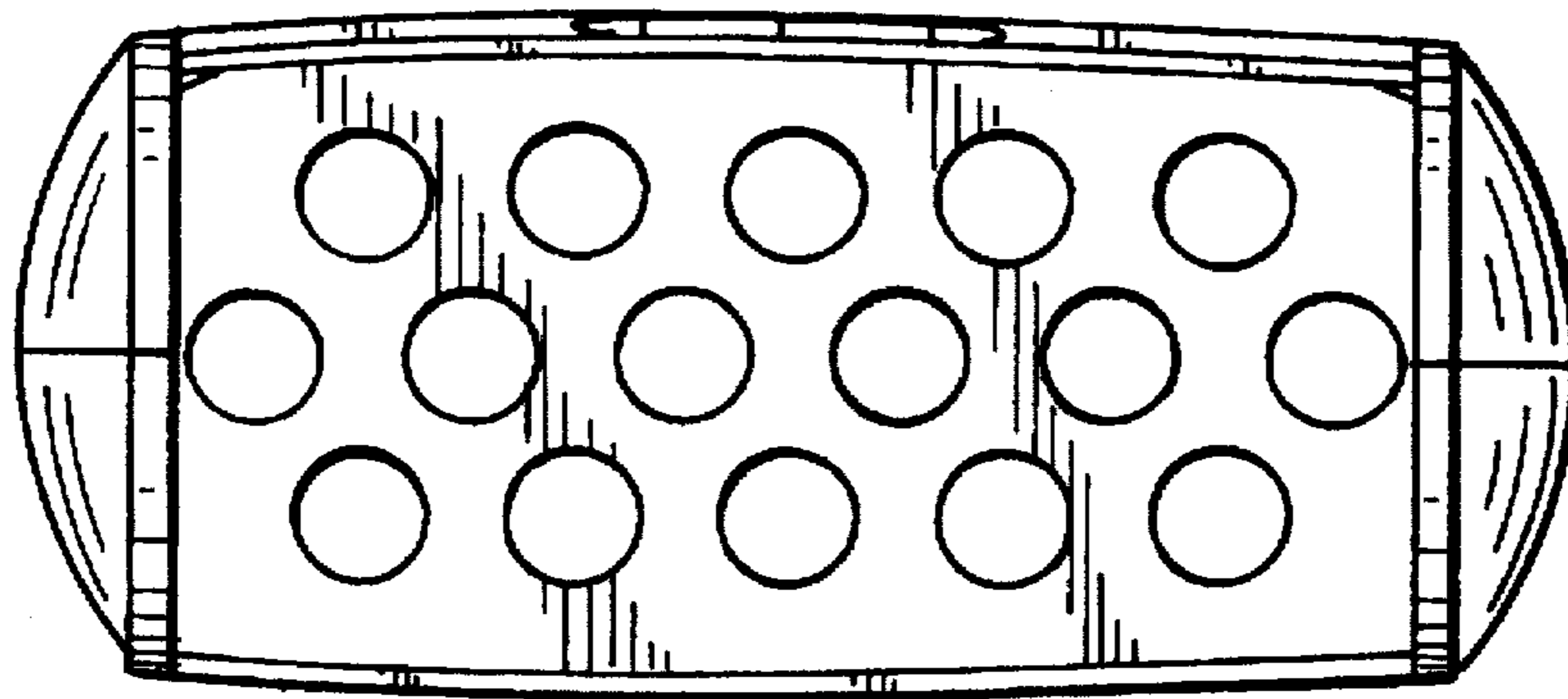
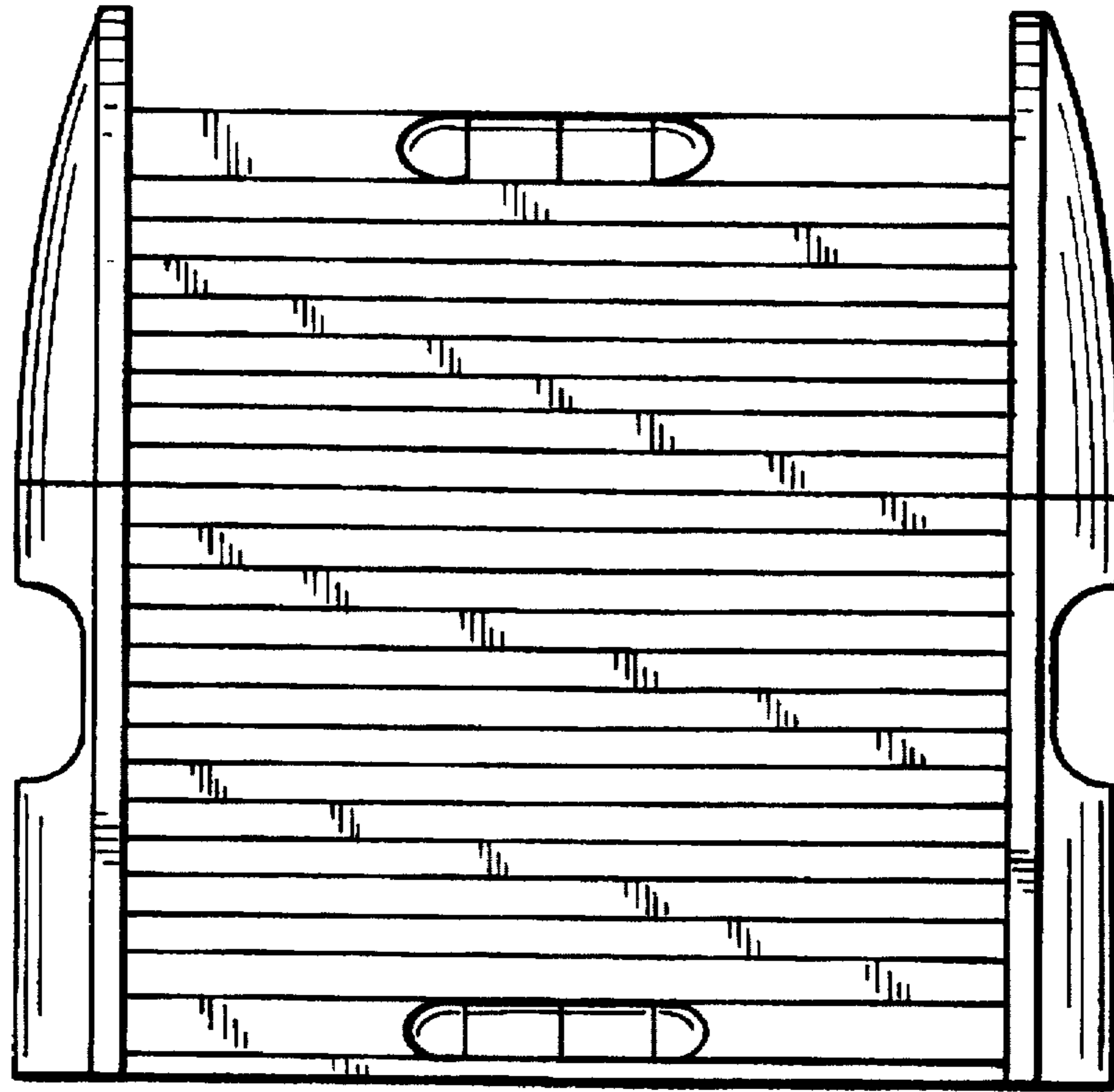
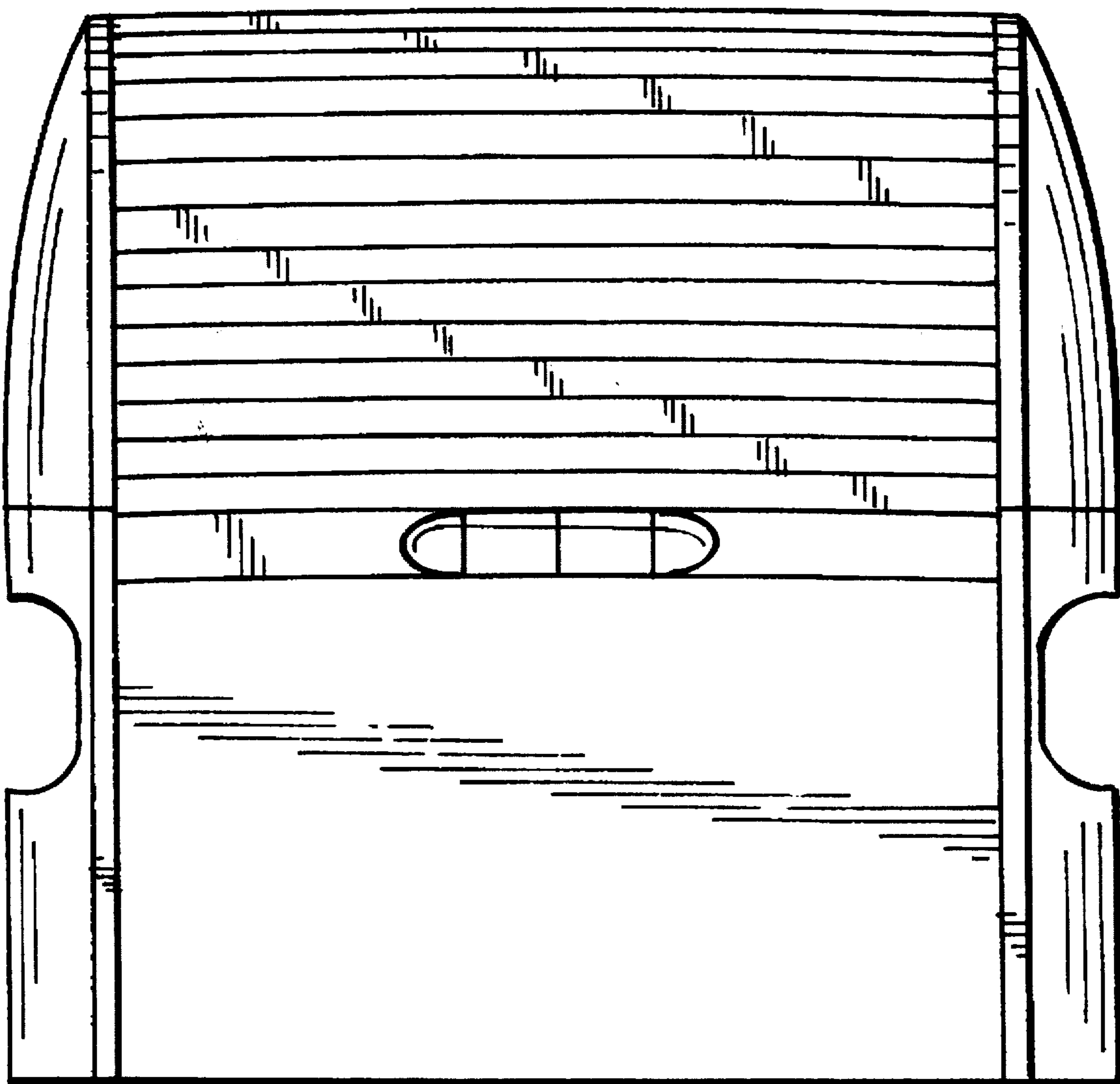


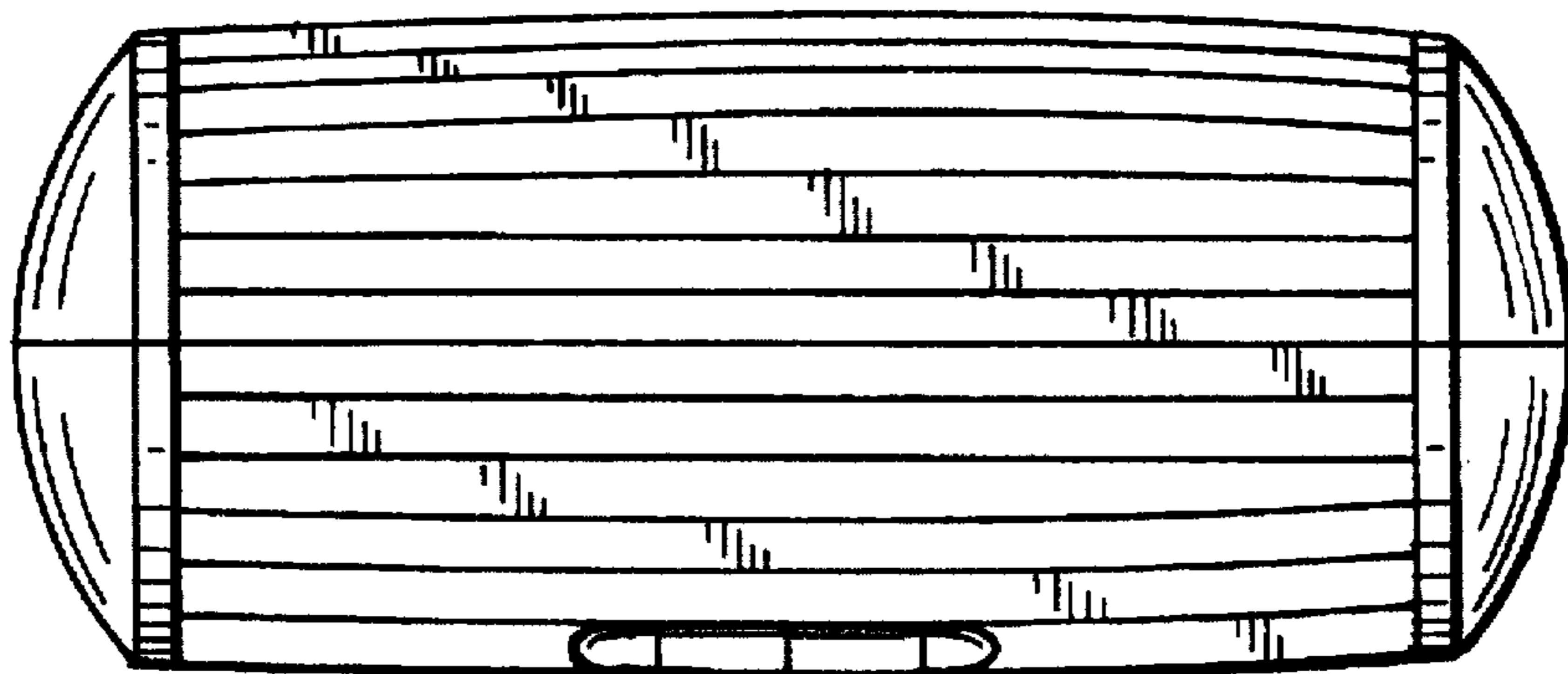
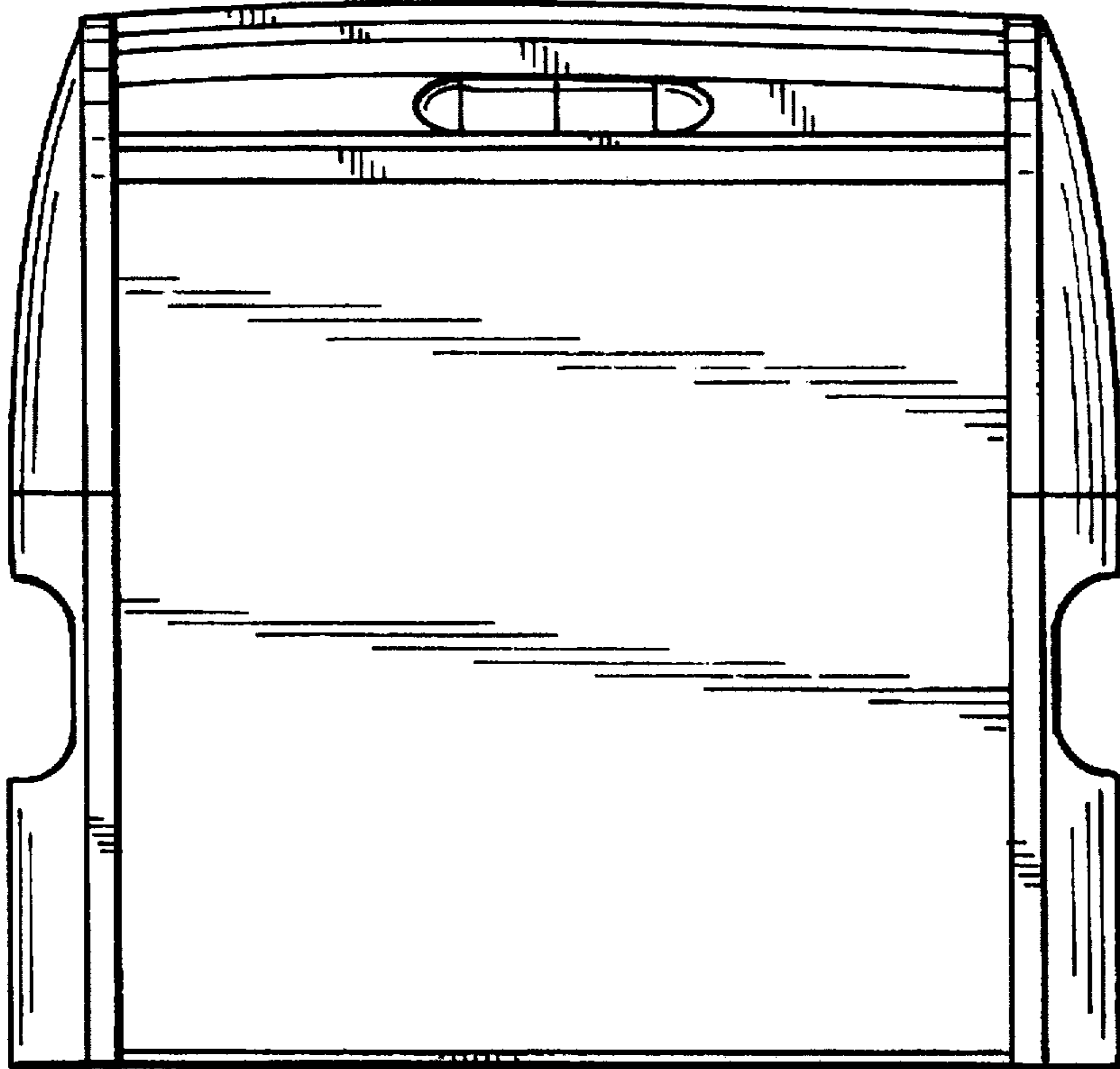
FIG. 10

# FIG. 11





**FIG. 12**



**FIG. 13**