



US00D392411S

United States Patent [19]

Mayo

[11] Patent Number: Des. 392,411

[45] Date of Patent: **Mar. 17, 1998

[54] **LOTION APPLICATOR**

[76] Inventor: **Jane Y. Mayo**, 456 Pine Grove Rd.,
Airville, Pa. 17302

[**] Term: **14 Years**

[21] Appl. No.: **57,912**

[22] Filed: **Aug. 5, 1996**

[51] LOC (6) Cl. **28-02**

[52] U.S. Cl. **D28/7; D4/137**

[58] Field of Search **D28/7, 56, 57,**
D28/76, 77; D4/114, 116, 137, 138; 132/320,
317; 401/6, 88, 196, 202-206, 261-267,
268, 269; 15/104.002, 104.93, 104.94, 210.1,
244.1, 184, 143.1, 144.4

[56] **References Cited**

U.S. PATENT DOCUMENTS

- D. 299,975 2/1989 Boyer .
- D. 300,959 5/1989 Gray .
- D. 306,214 2/1990 Delphus .
- D. 307,490 4/1990 Thieroff, Jr. et al. .
- D. 309,378 7/1990 Kiesz D4/122 X
- D. 323,409 1/1992 Giese .
- D. 341,445 11/1993 Morrison et al. .
- D. 342,342 12/1993 Maglione .
- D. 355,729 2/1995 Grimshaw D28/7
- D. 375,816 11/1996 Long-Langworthy D28/63 X
- 2,705,811 4/1955 Moran 401/208 X
- 2,814,819 12/1957 Planas De Ayerbe 15/184 X
- 3,103,682 9/1963 Markle .
- 4,001,909 1/1977 Erickson et al. .
- 4,227,278 10/1980 Raskin et al. .
- 4,308,879 1/1982 Thornbloom .
- 4,396,028 8/1983 Waggoner 15/144.4

- 4,483,356 11/1984 Kales .
- 4,639,965 2/1987 Suzuki 15/104.002
- 5,125,757 6/1992 Morrison et al. .
- 5,240,339 8/1993 DeForest et al. .
- 5,341,538 8/1994 Banome .
- 5,353,819 10/1994 Kahn et al. .

FOREIGN PATENT DOCUMENTS

- 161215 4/1921 United Kingdom 401/269

Primary Examiner—Catherine Tuttle
Attorney, Agent, or Firm—Webb Ziesenheim Bruening
Logsdon Orkin & Hanson, P.C.

[57] **CLAIM**

The ornamental design for the lotion applicator, as shown and described.

DESCRIPTION

FIG. 1 is a perspective view of the lotion applicator according to the new design with the applicator wand in the retracted position;

FIG. 2 is a front elevation view of FIG. 1;

FIG. 3 is a rear elevation view of FIG. 1;

FIG. 4 is a left side elevation view of FIG. 1;

FIG. 5 is a right side elevation view of FIG. 1;

FIG. 6 is a top plan view of FIGS. 1 and 8;

FIG. 7 is a bottom plan view of FIGS. 1 and 8;

FIG. 8 is a perspective view of the lotion applicator according to the new design with the applicator wand in the extended position;

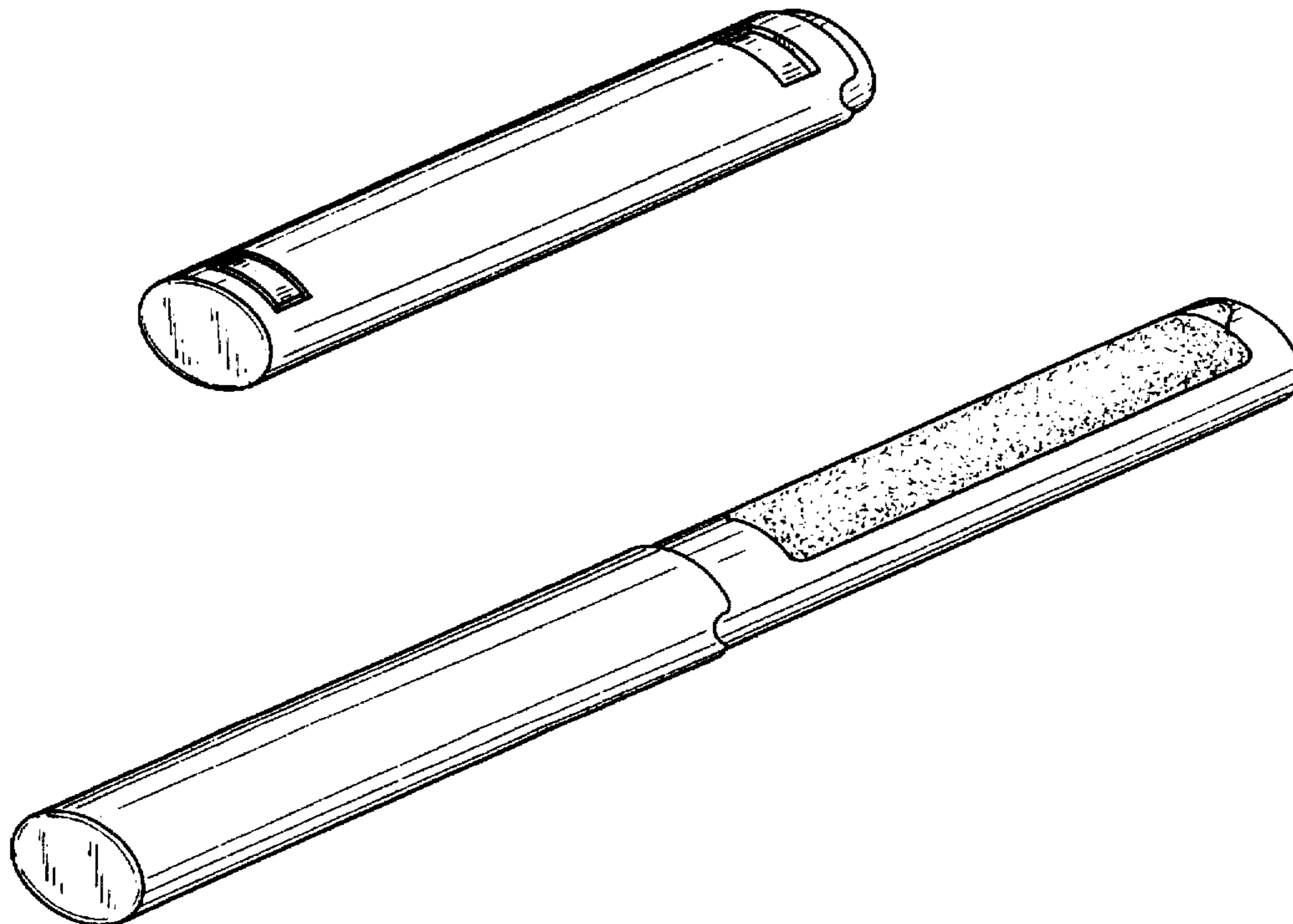
FIG. 9 is a front elevation view of FIG. 8;

FIG. 10 is a rear elevation view of FIG. 8;

FIG. 11 is a left side elevation view of FIG. 8; and,

FIG. 12 is a right side elevation view of FIG. 8.

1 Claim, 4 Drawing Sheets



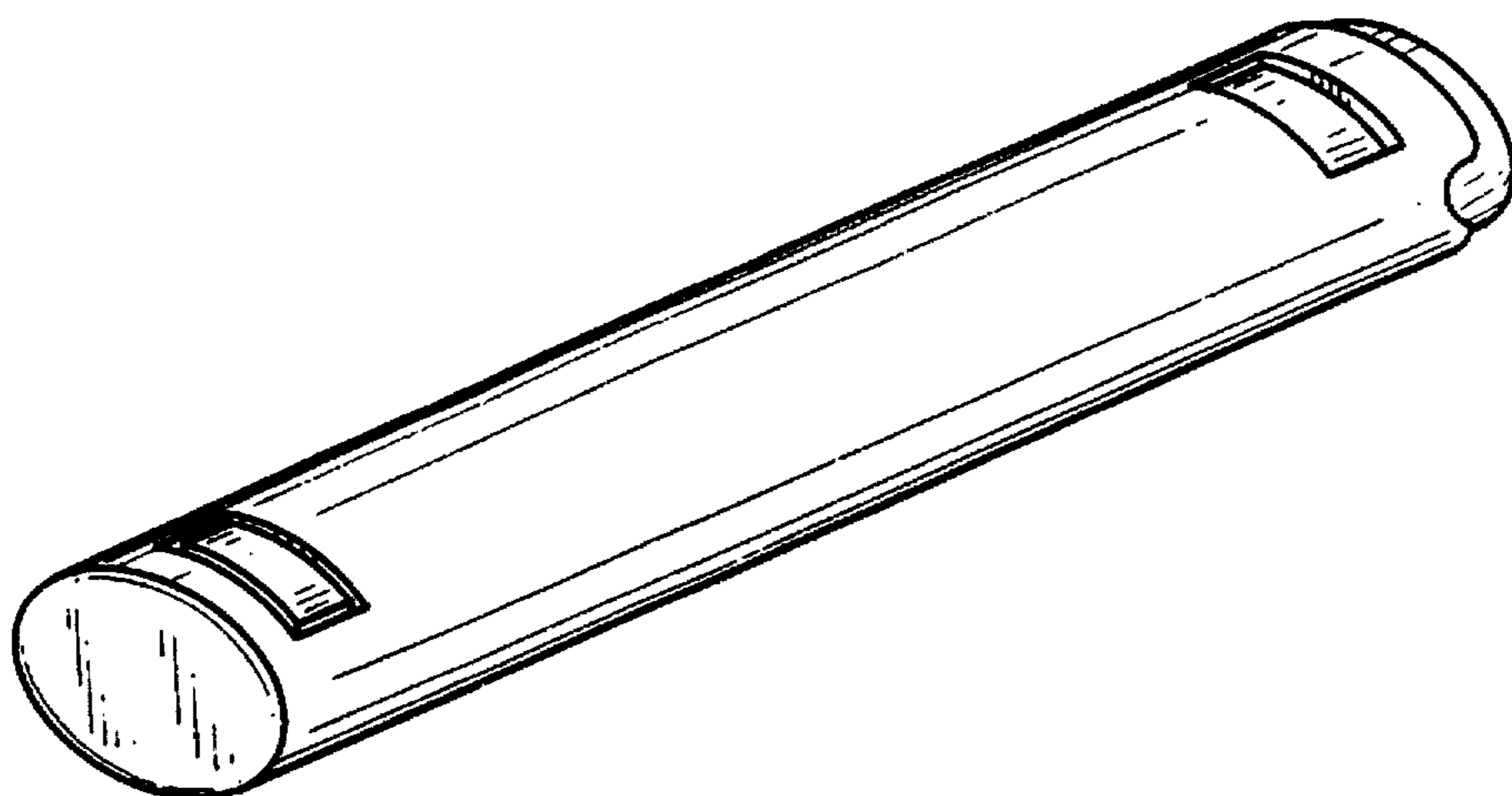


FIG. 1

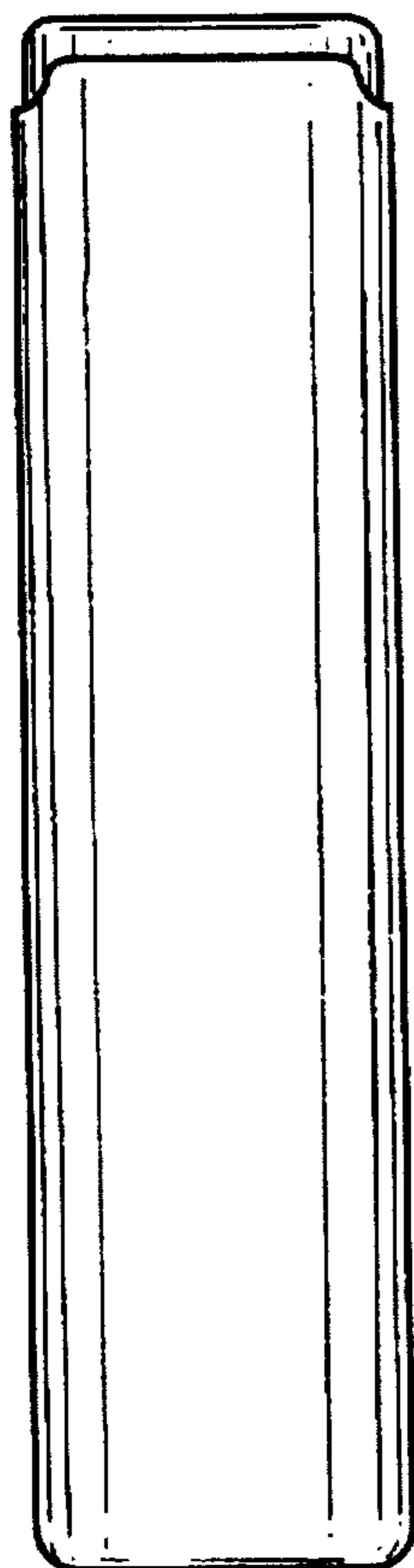


FIG. 2

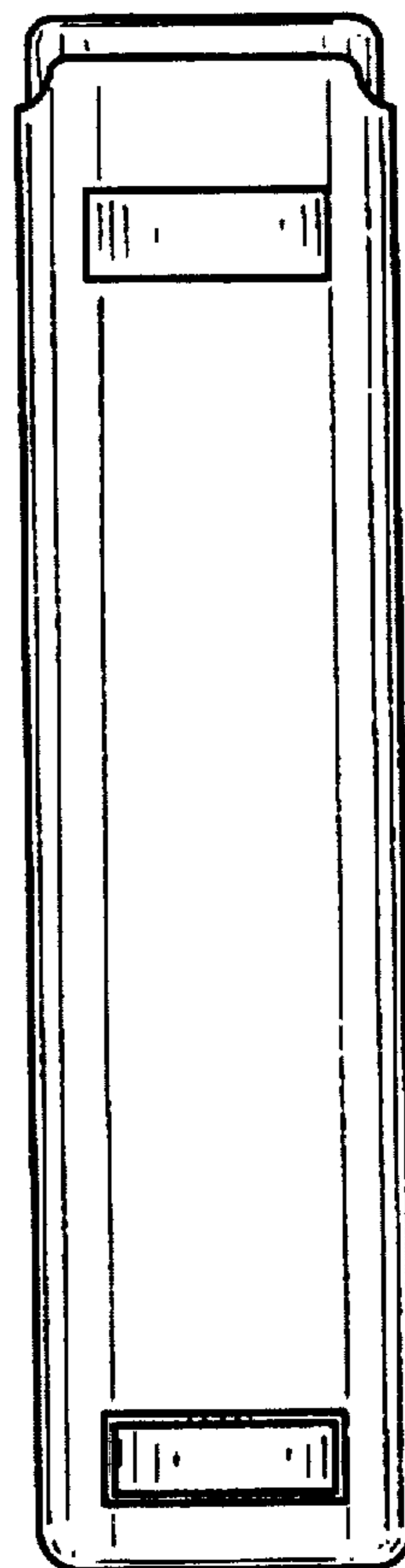


FIG. 3

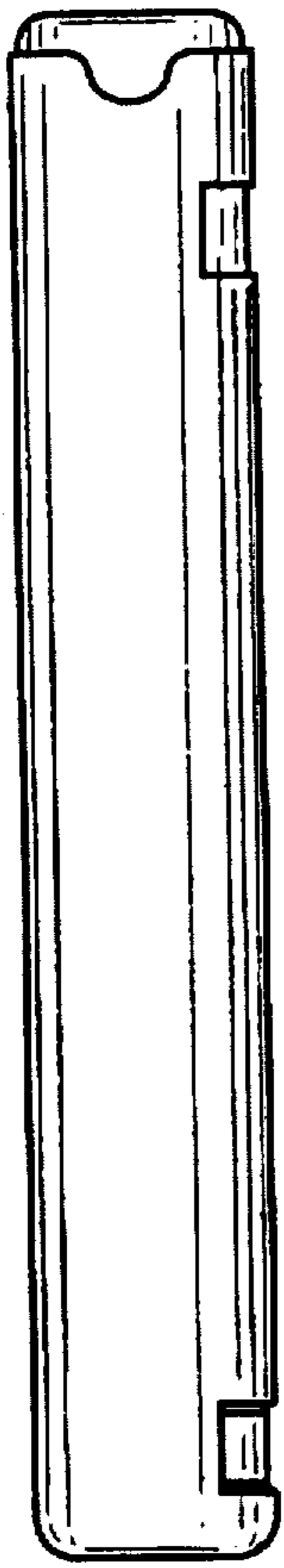


FIG. 4

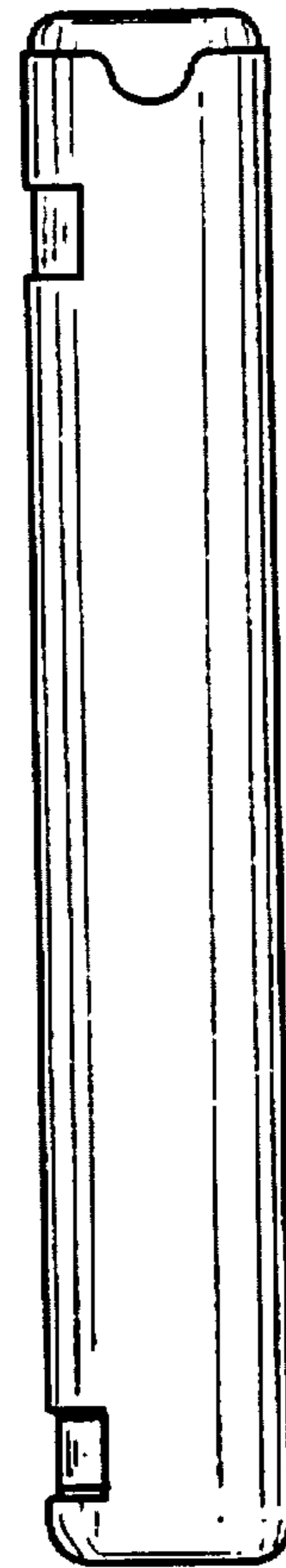


FIG. 5

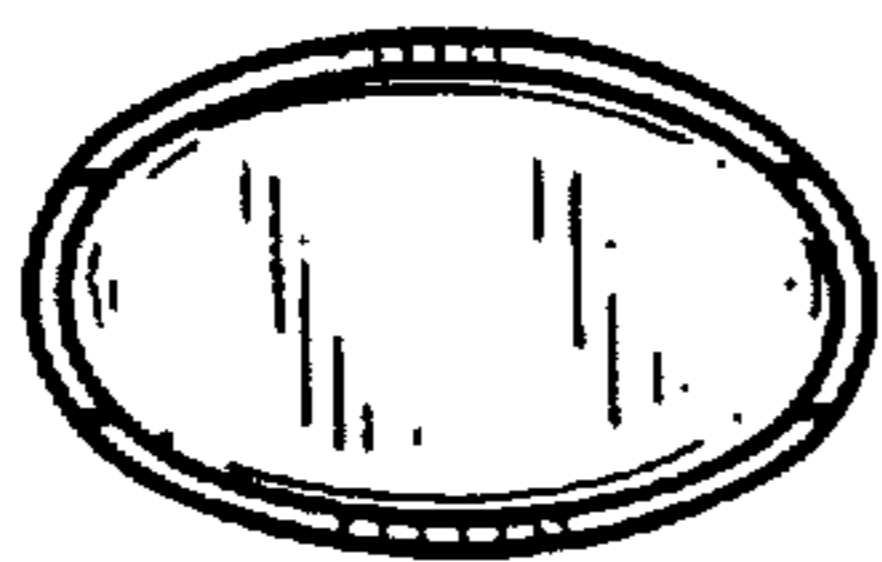


FIG. 6

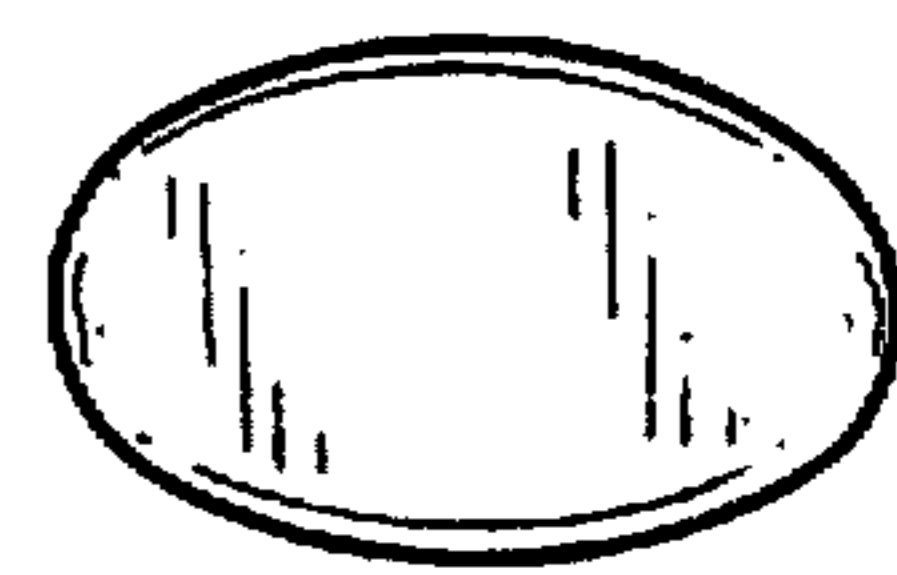


FIG. 7

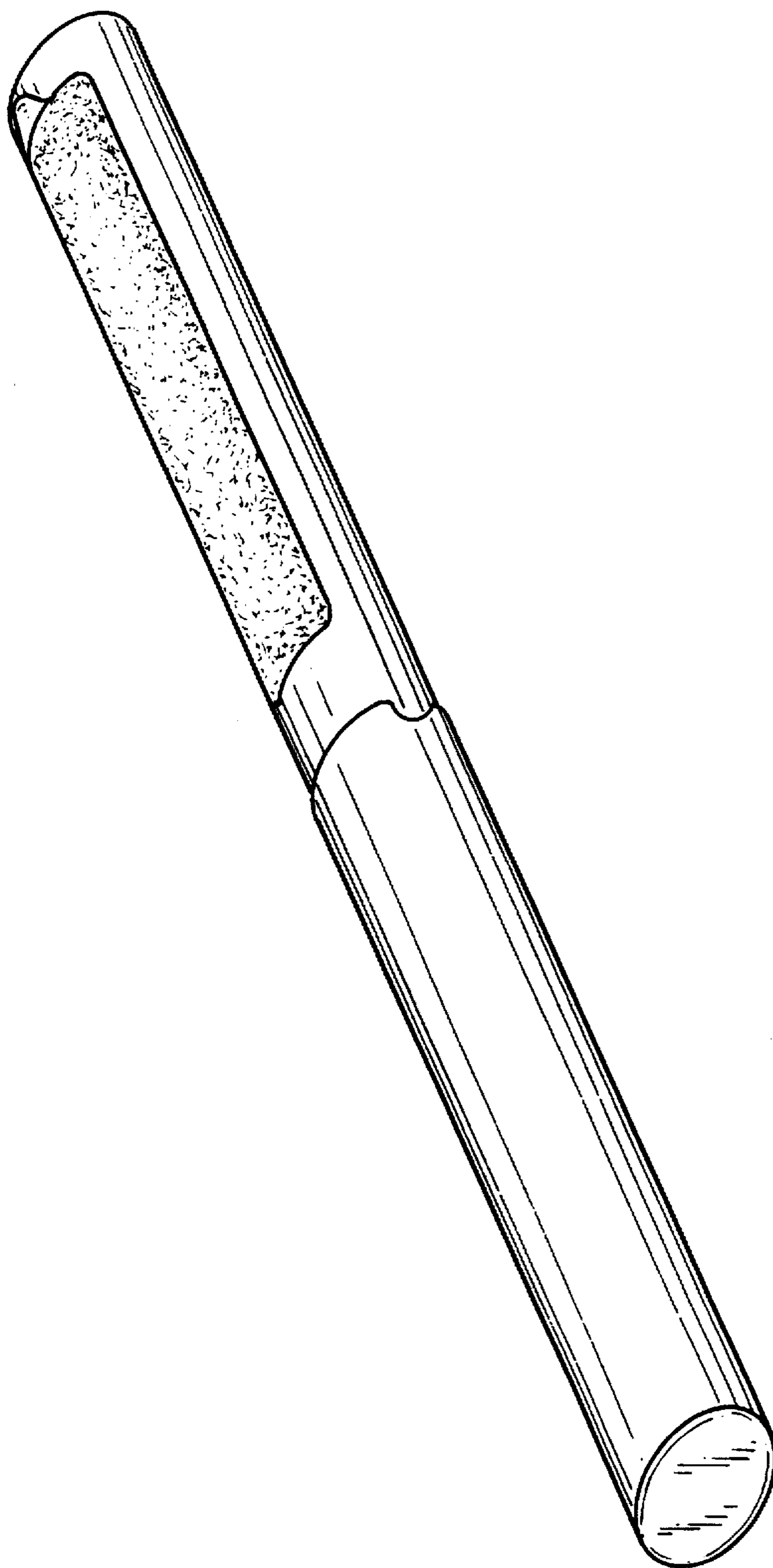


FIG. 8

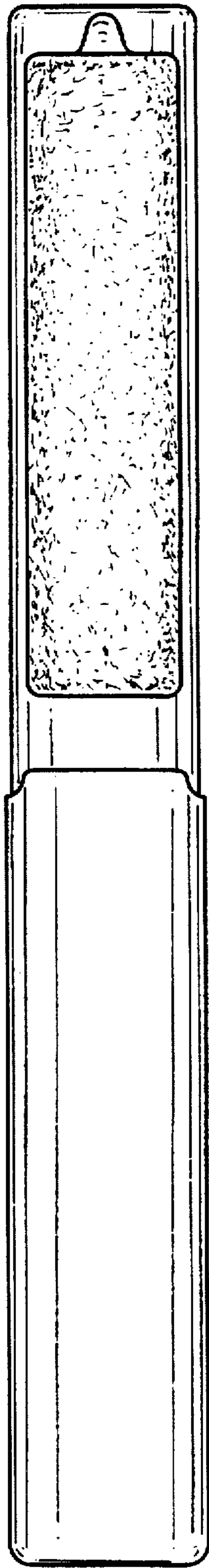


FIG. 9

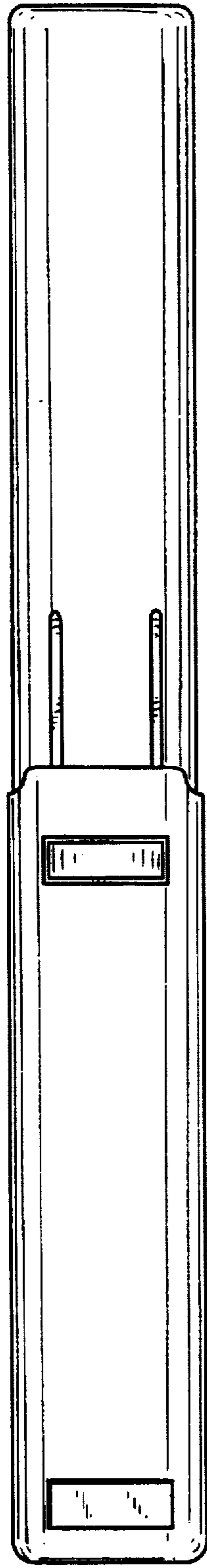


FIG. 10

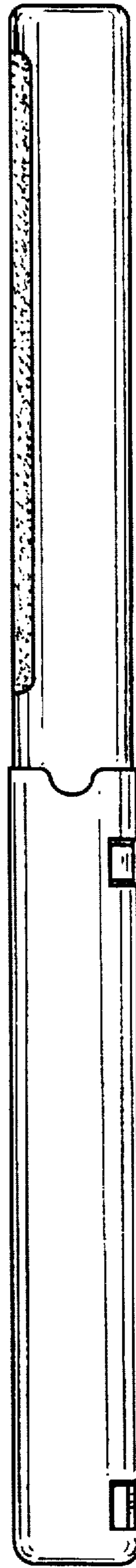


FIG. 11

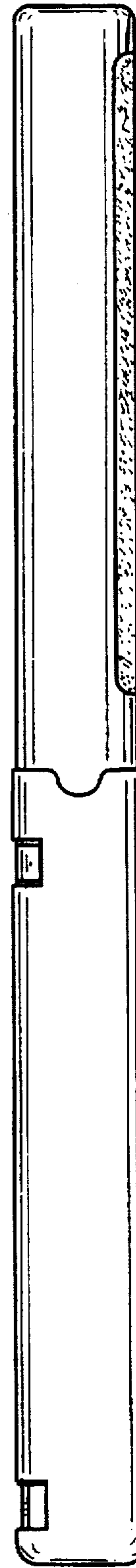


FIG. 12