



US00D392406S

United States Patent [19]

Morrow et al.

[11] Patent Number: **Des. 392,406**

[45] Date of Patent: ****Mar. 17, 1998**

[54] SECURITY LIGHTING FIXTURE

[75] Inventors: **James Morrow**, Oak Park; **Brian Day**, Des Plaines, both of Ill.; **Gary Van Deursen**, Evergreen, Colo.

[73] Assignee: **Coleman Safety and Security Products, Inc.**, Downers Grove, Ill.

[**] Term: **14 Years**

[21] Appl. No.: **71,127**

[22] Filed: **May 21, 1997**

[51] LOC (6) Cl. **26-05**

[52] U.S. Cl. **D26/65; D10/106; D26/62**

[58] Field of Search **D26/61, 62, 63, D26/65; 362/269, 275, 287, 418, 419, 427, 421, 394, 276; D10/106**

[56] References Cited

U.S. PATENT DOCUMENTS

D. 264,253	5/1982	Goldschmidt et al.	D26/63
D. 301,634	6/1989	DeCandia	D26/63
D. 360,960	8/1995	Wedell et al.	D26/63
5,258,899	11/1993	Chen	362/421 X
5,335,159	8/1994	Chen et al.	362/421
5,649,761	7/1997	Sandell et al.	362/421 X

OTHER PUBLICATIONS

Nutone/Sterling lighting catalog, p. 91, florescent lighting fixture grid, 1990.

Primary Examiner—Susan J. Lucas
Attorney, Agent, or Firm—James H. Phillips; Michael A. Lechter

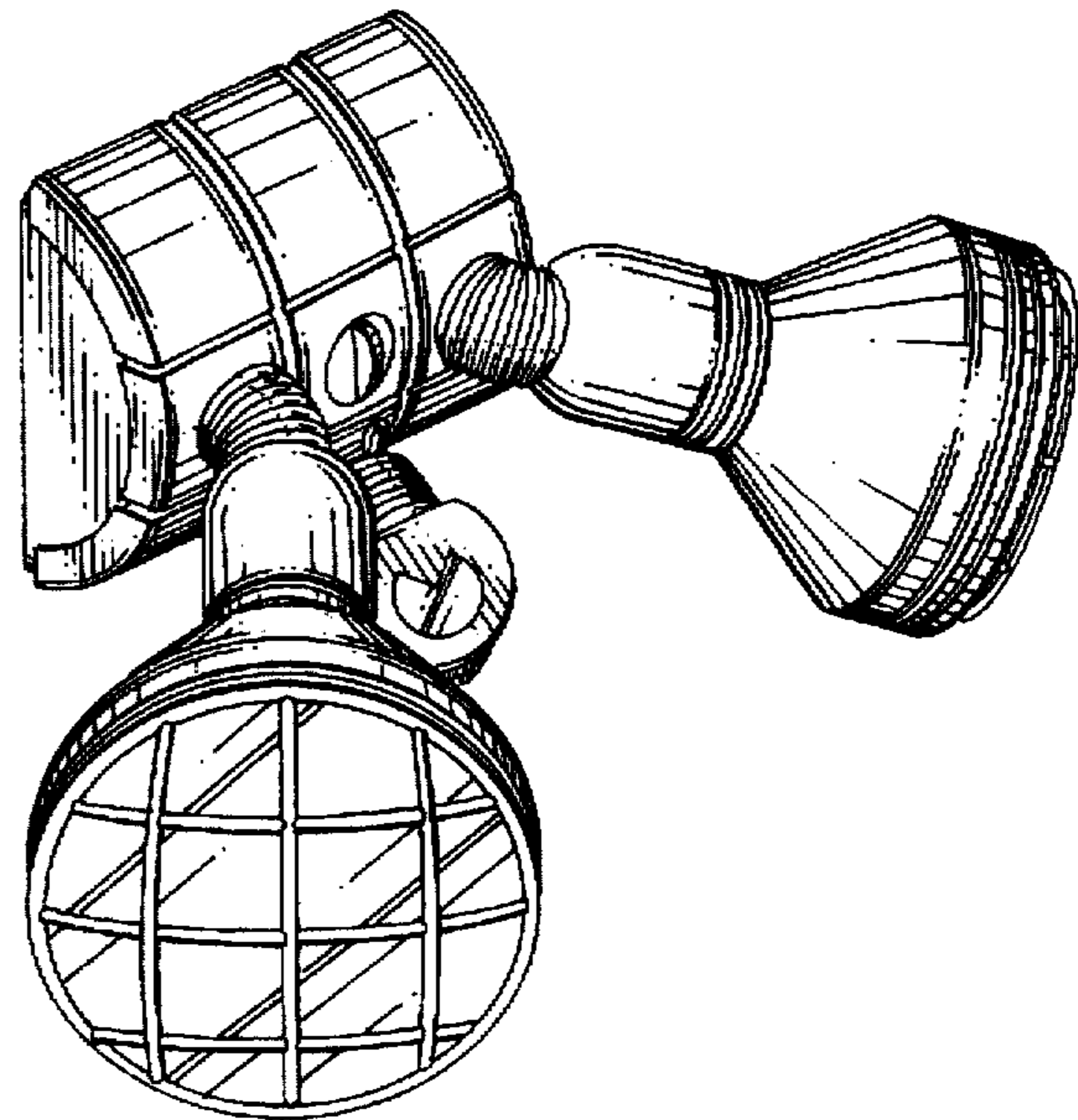
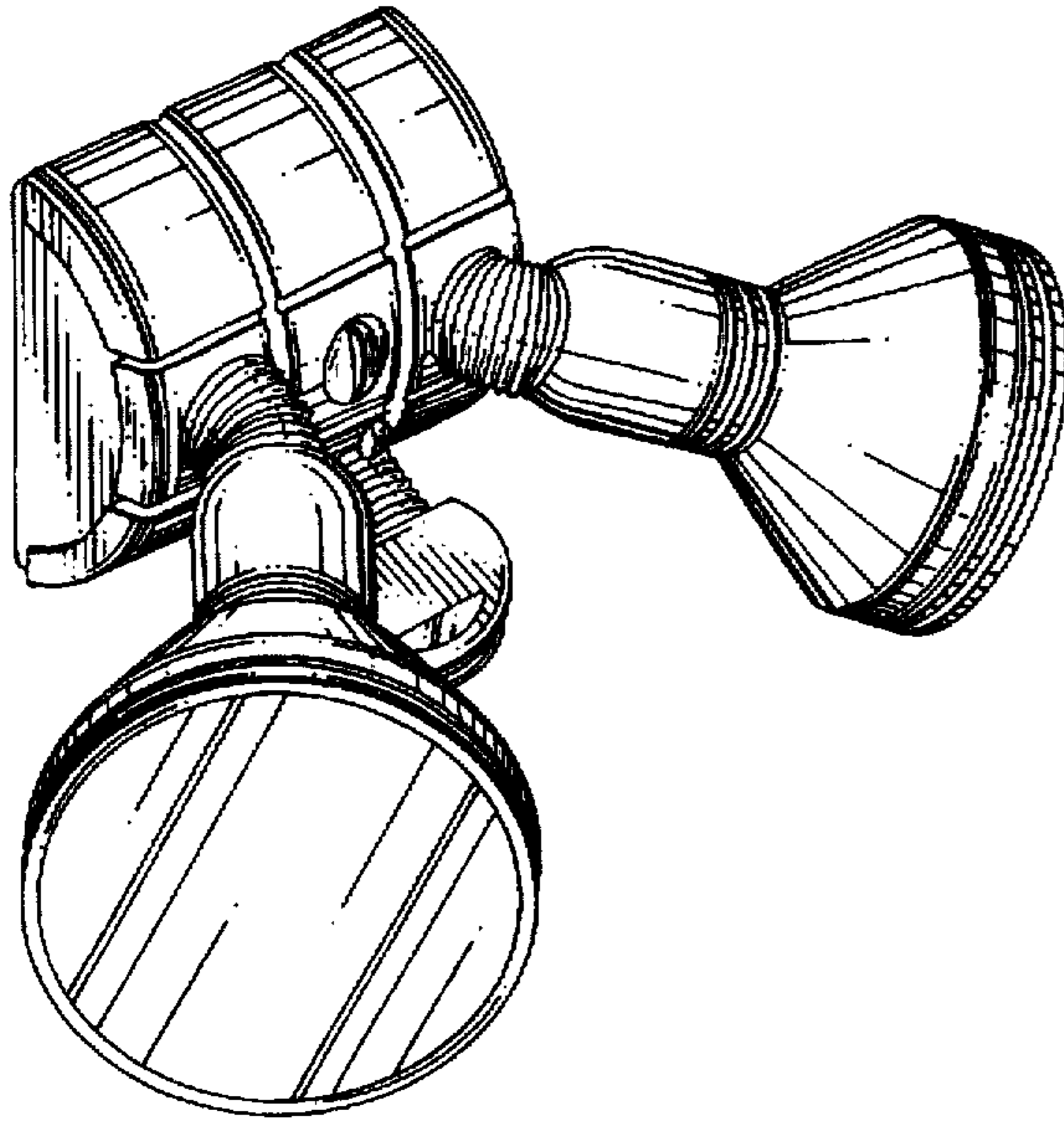
[57] CLAIM

The ornamental design for security lighting fixture, as shown and described.

DESCRIPTION

FIG. 1 is a perspective view of a first variant of our design; FIG. 2 is a top view of the first variant of our design; FIG. 3 is a bottom view of the first variant of our design; FIG. 4 is a front view of the first variant of our design; FIG. 5 is a rear view of the first variant of our design; FIG. 6 is a side view of the first variant of our design; FIG. 7 is a perspective view of a second variant of our design; FIG. 8 is a top view of the second variant of our design; FIG. 9 is a bottom view of the second variant of our design; FIG. 10 is a front view of the second variant of our design; FIG. 11 is a rear view of the second variant of our design; and, FIG. 12 is a side view of the second variant of our design.

1 Claim, 4 Drawing Sheets



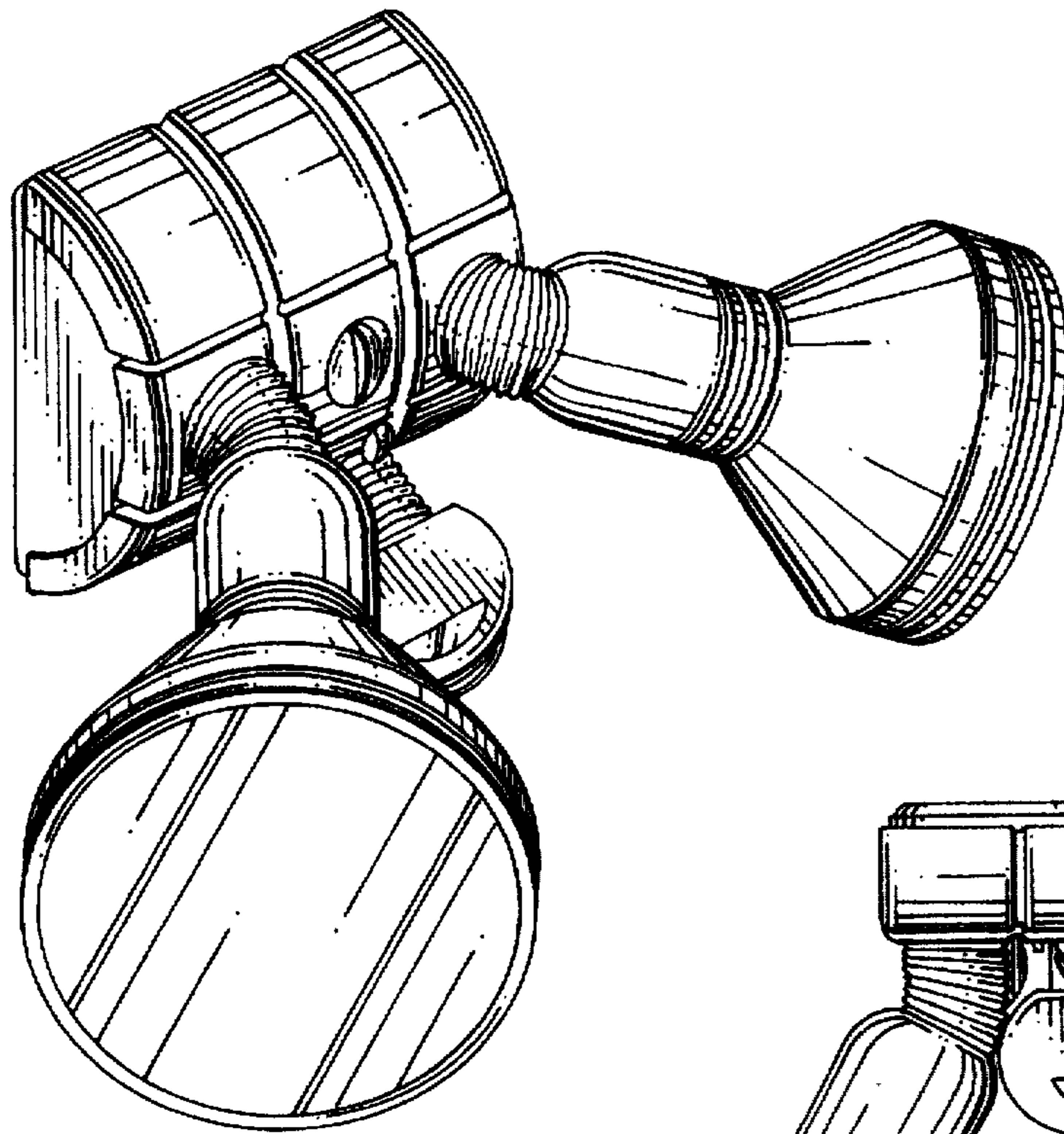


FIG. 1

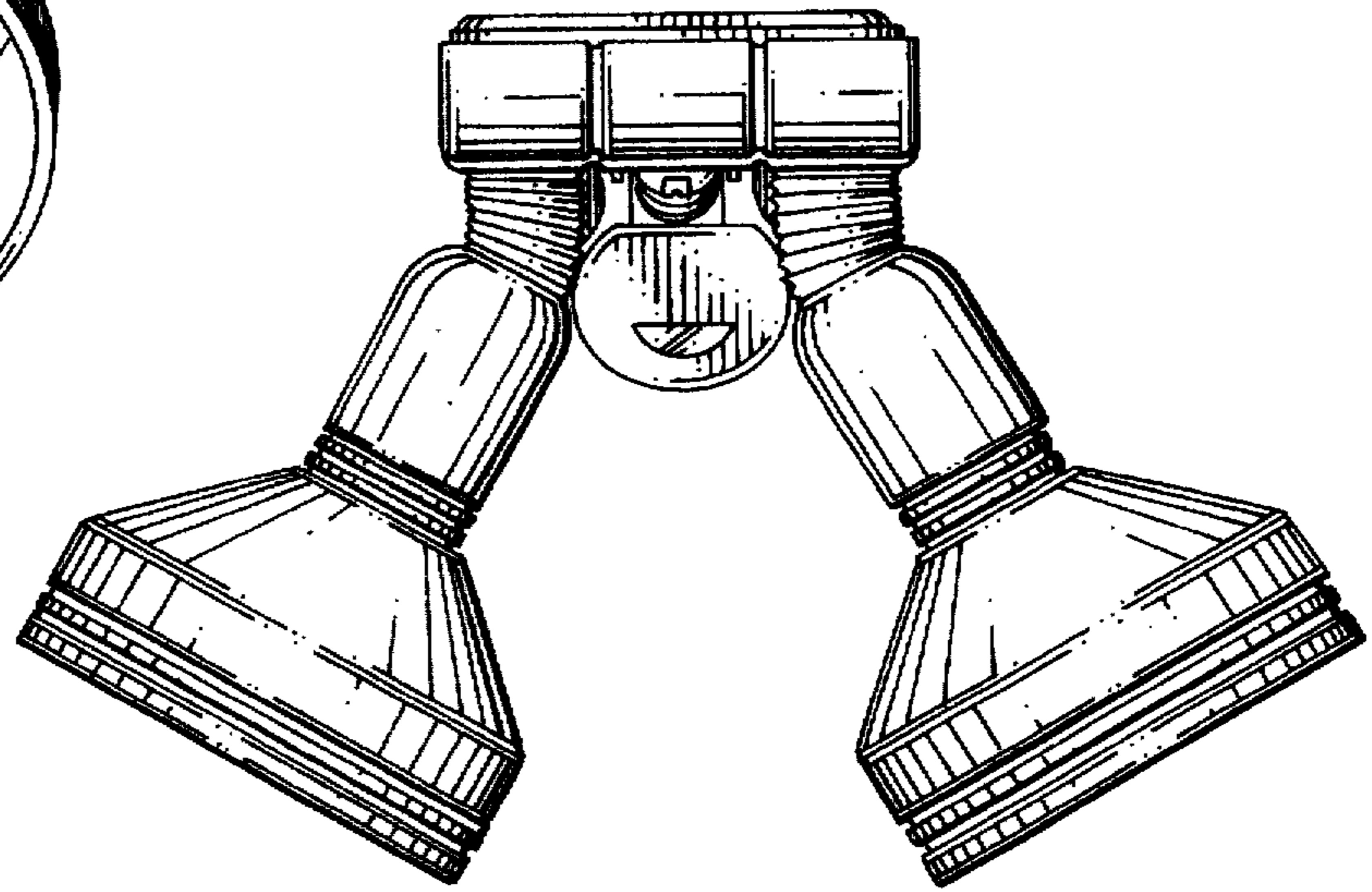


FIG. 2

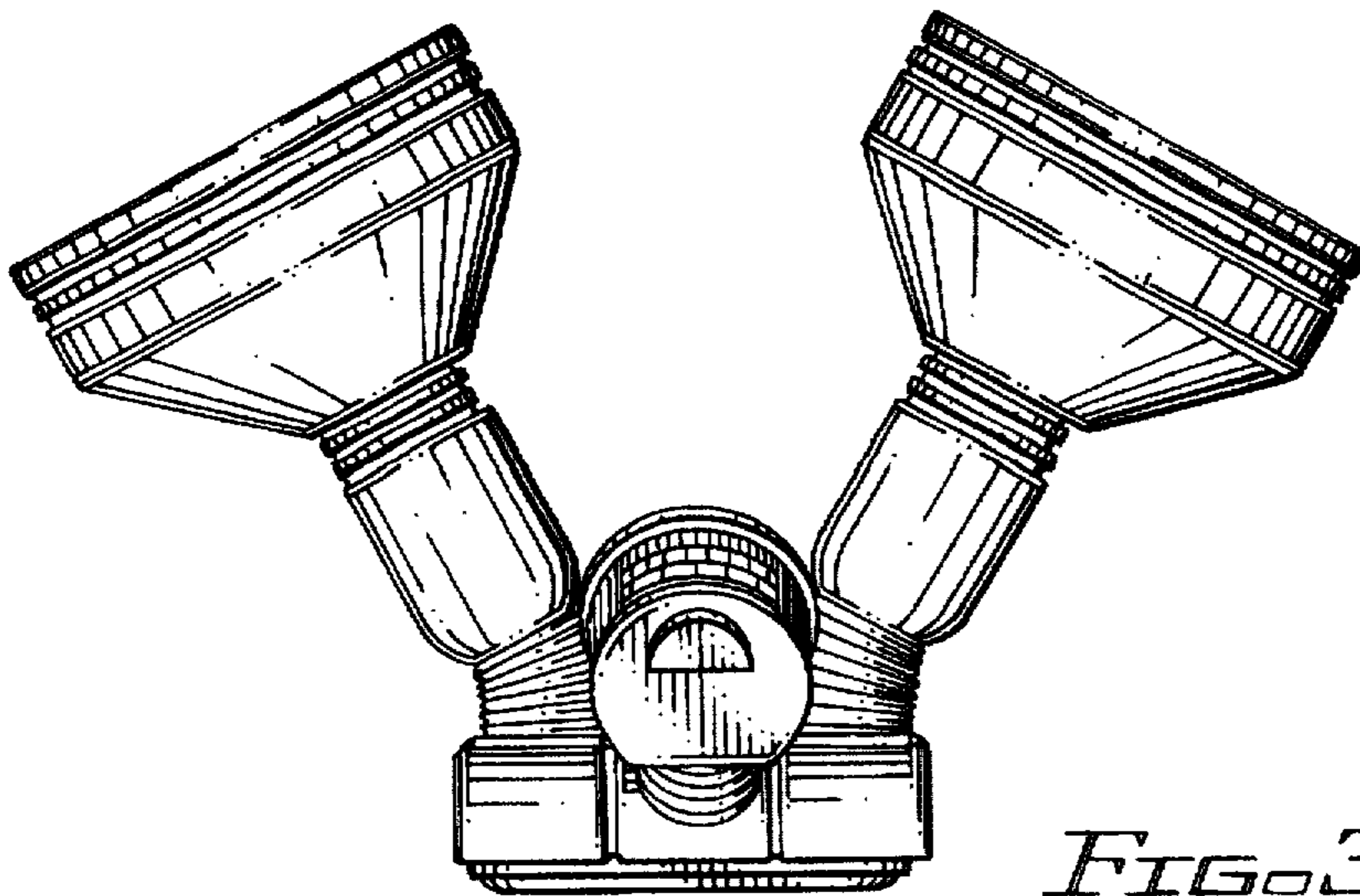


FIG. 3

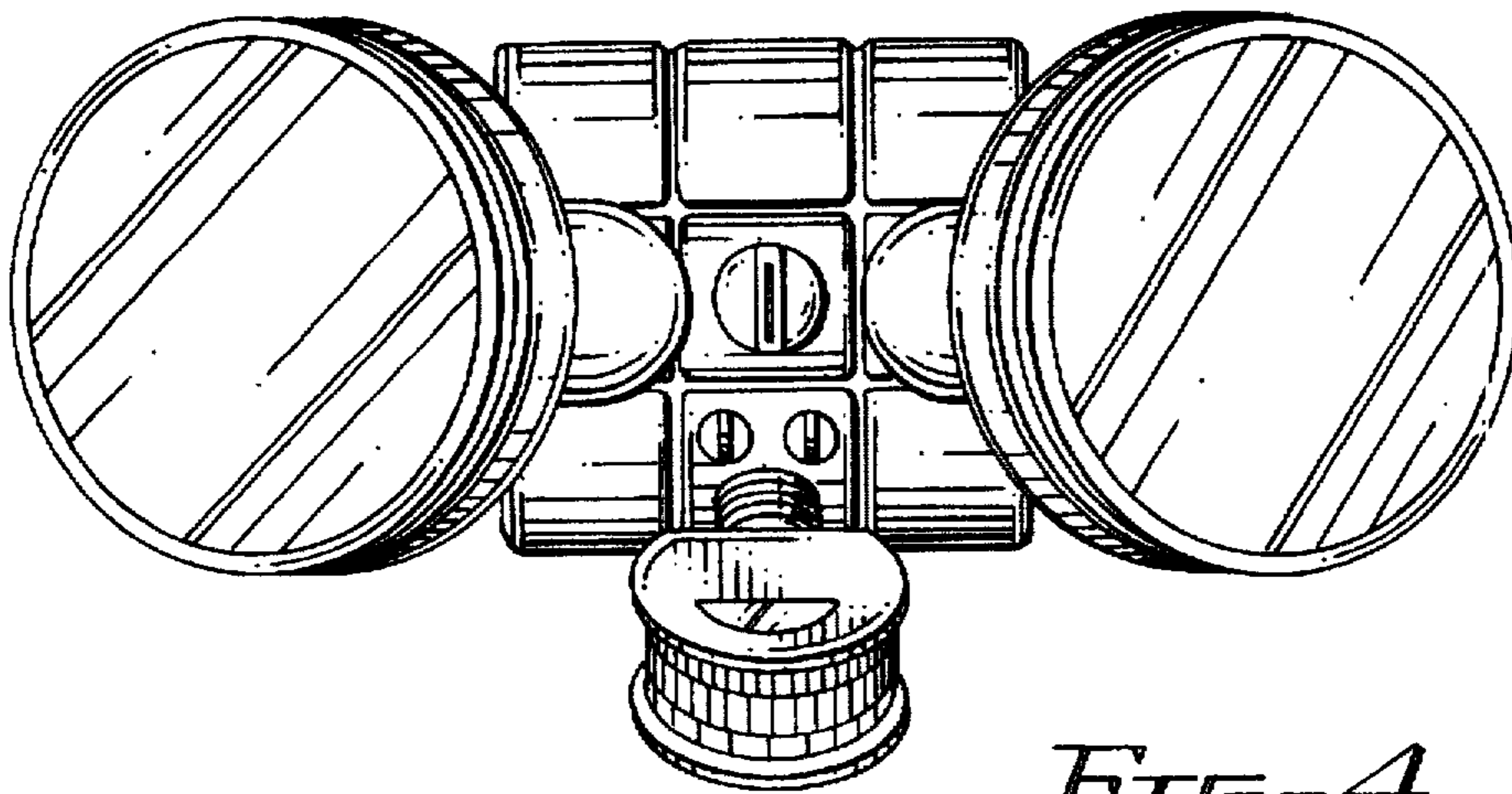


FIG. 4

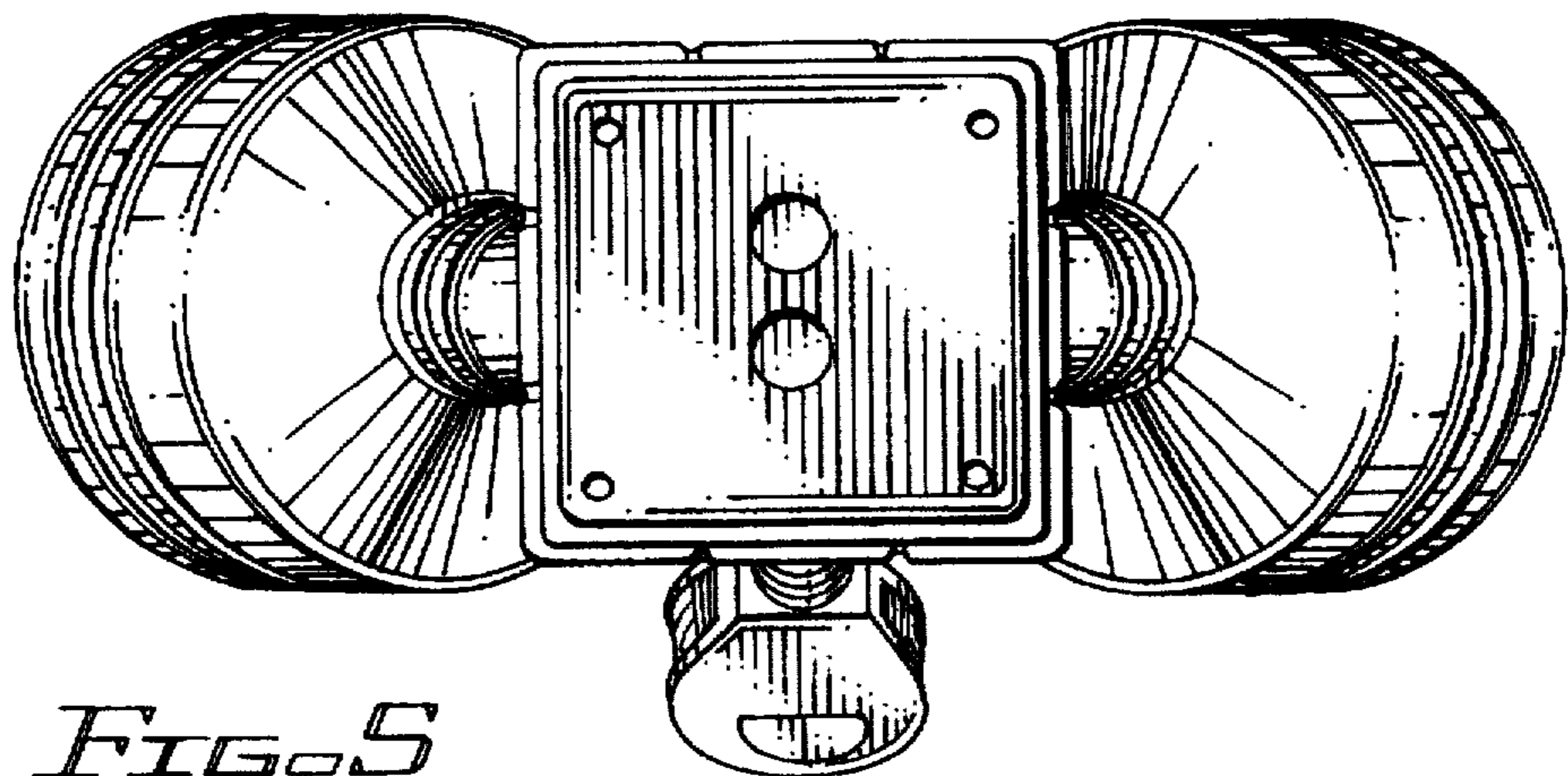


FIG. 5

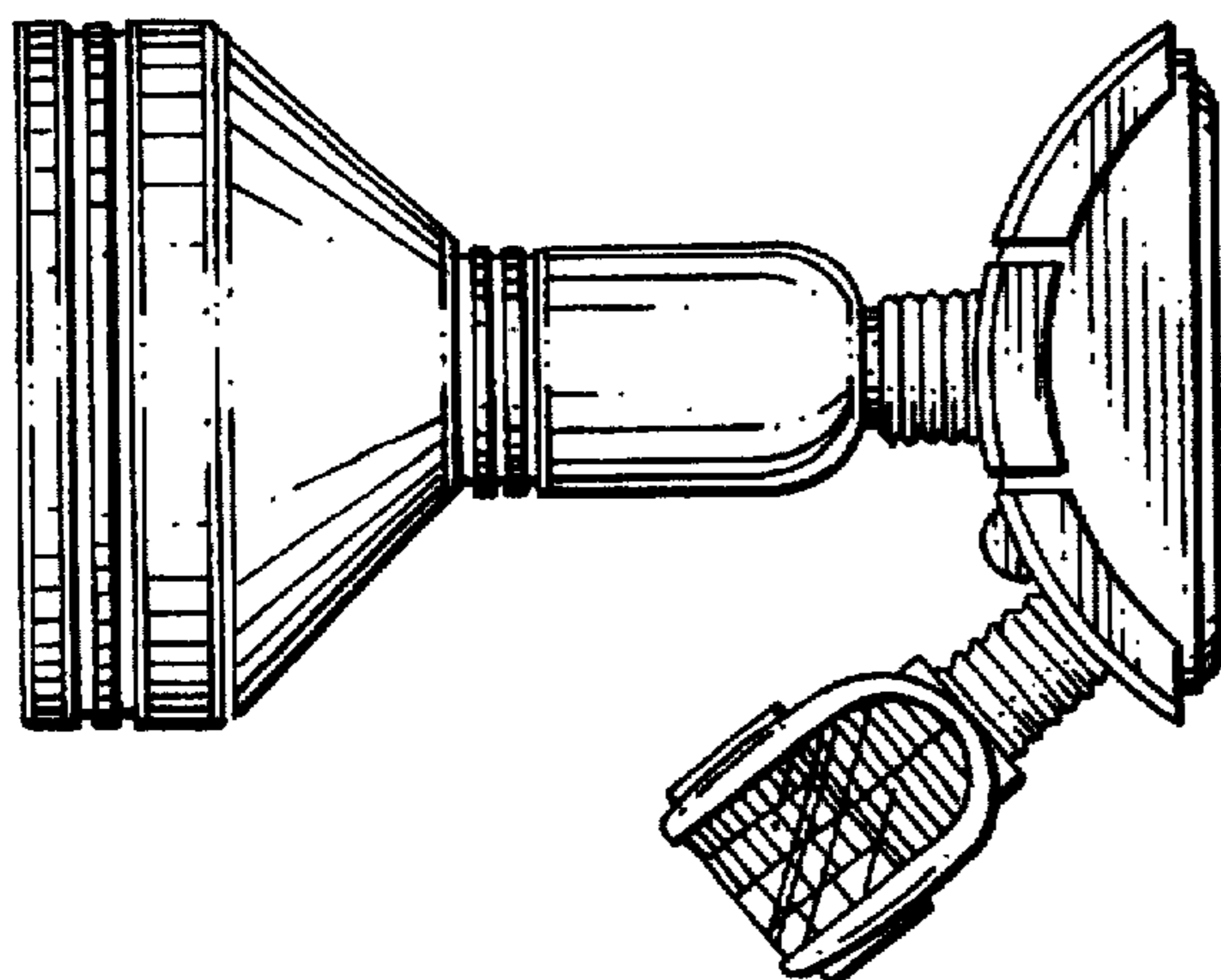


FIG. 6

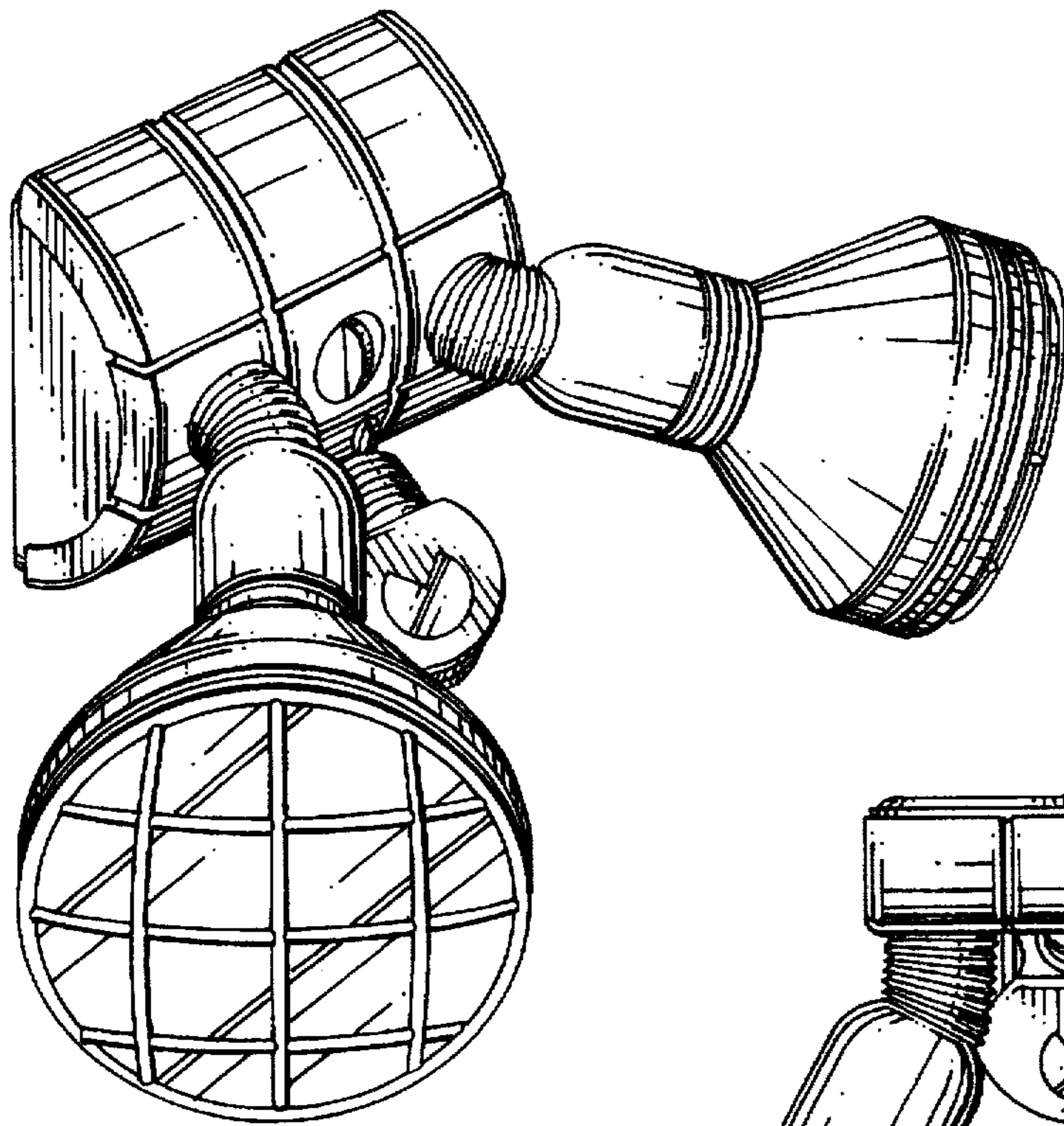


FIG. 7

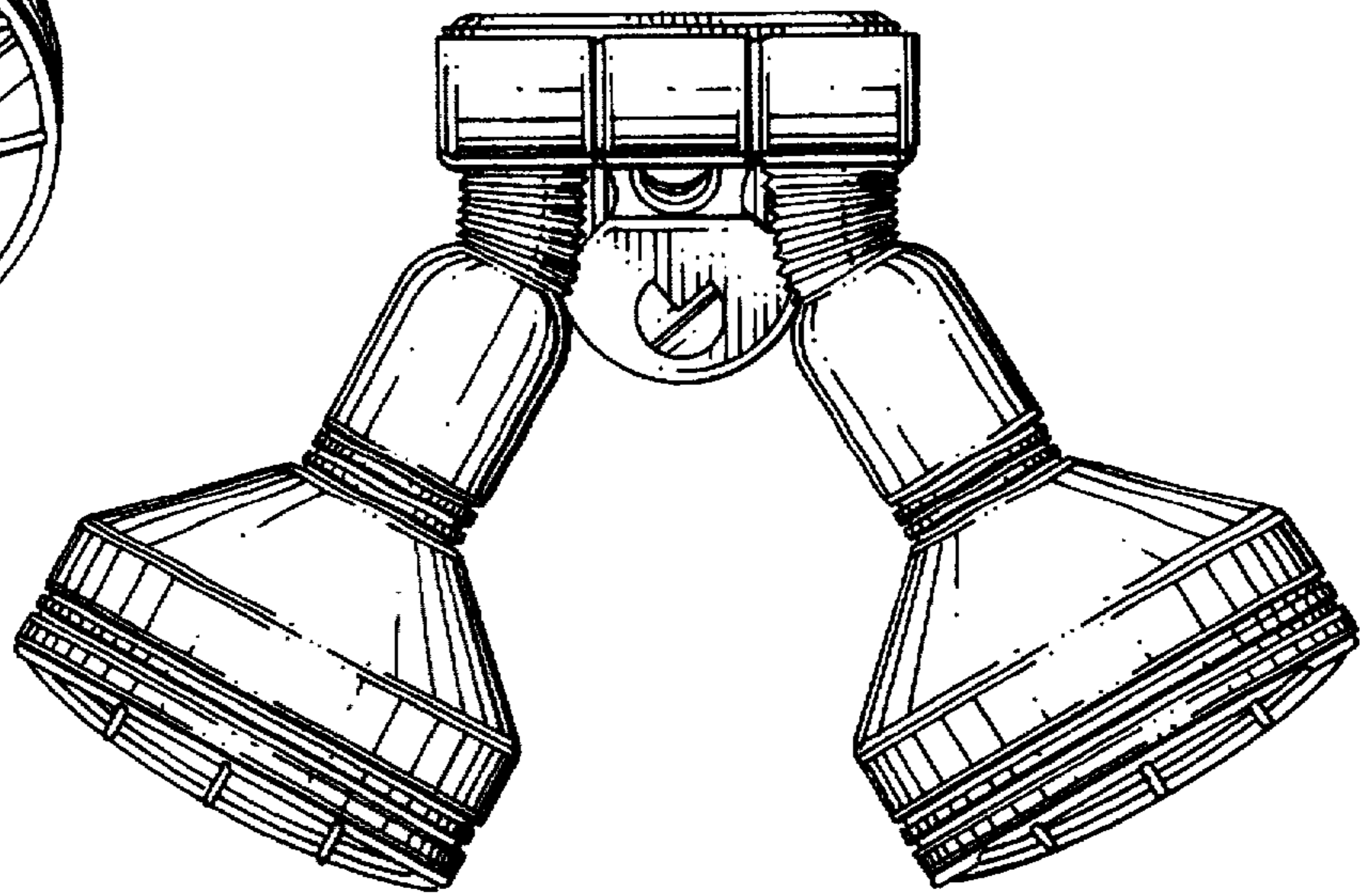


FIG. 8

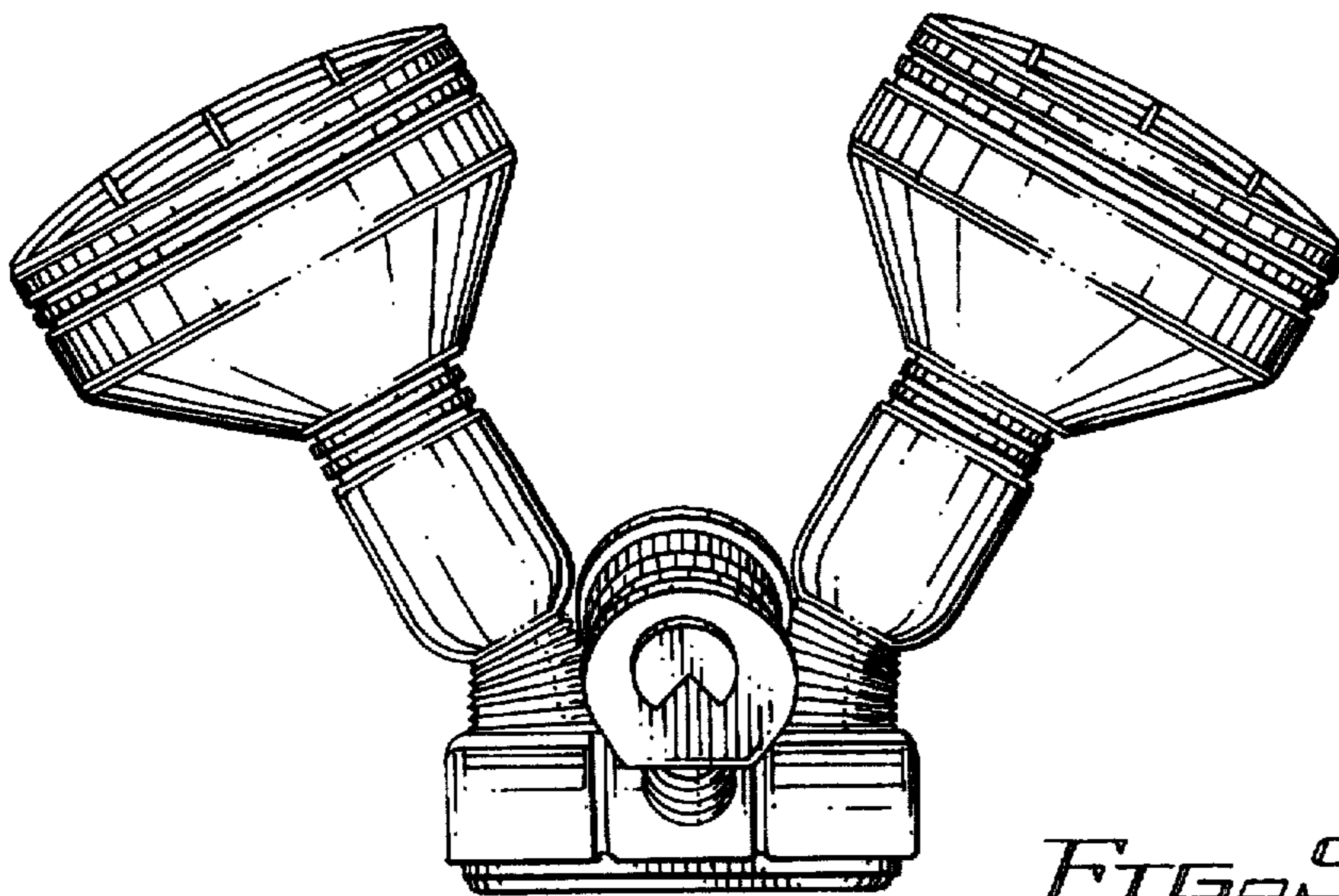


FIG. 9

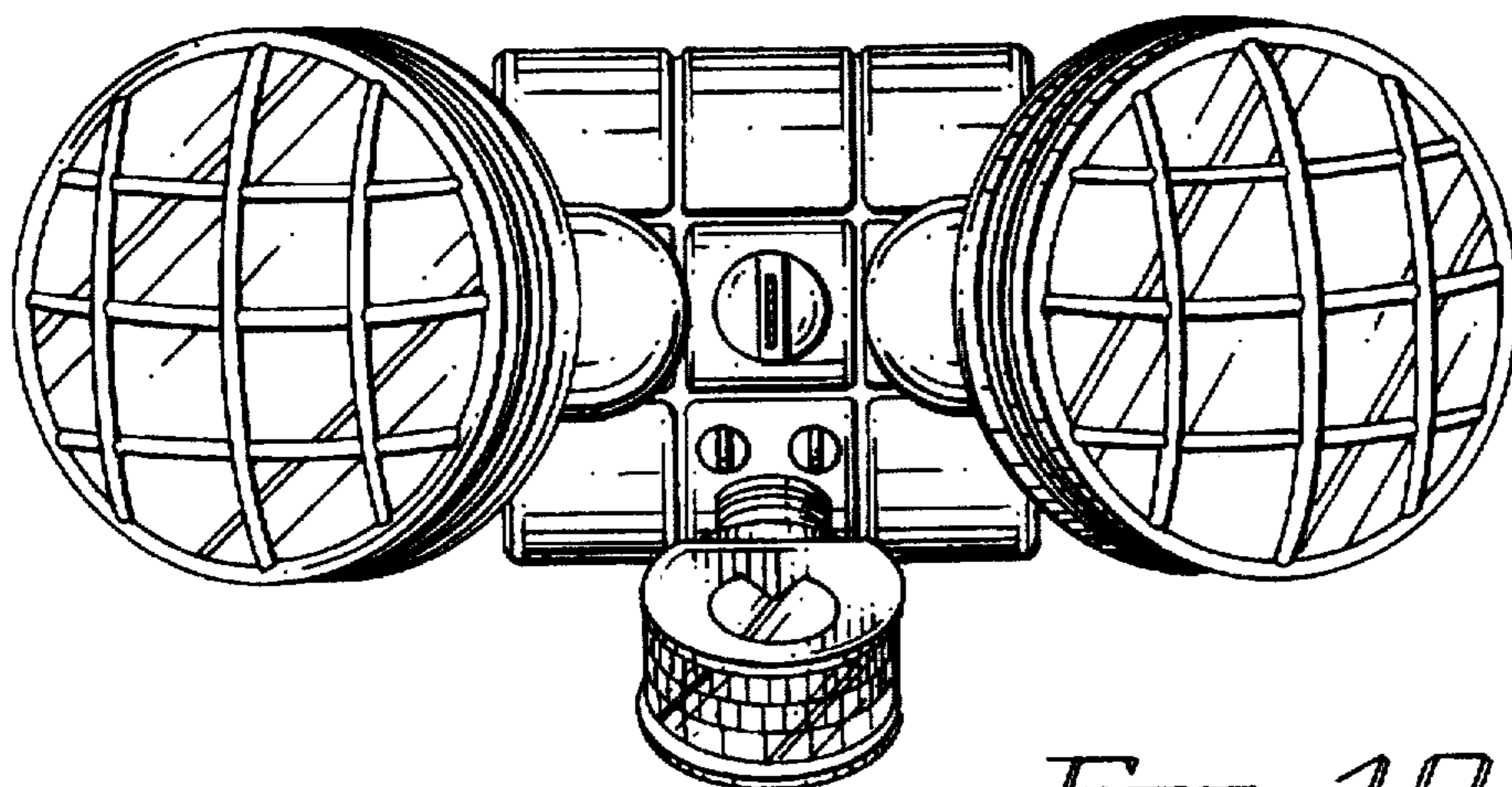


FIG. 10

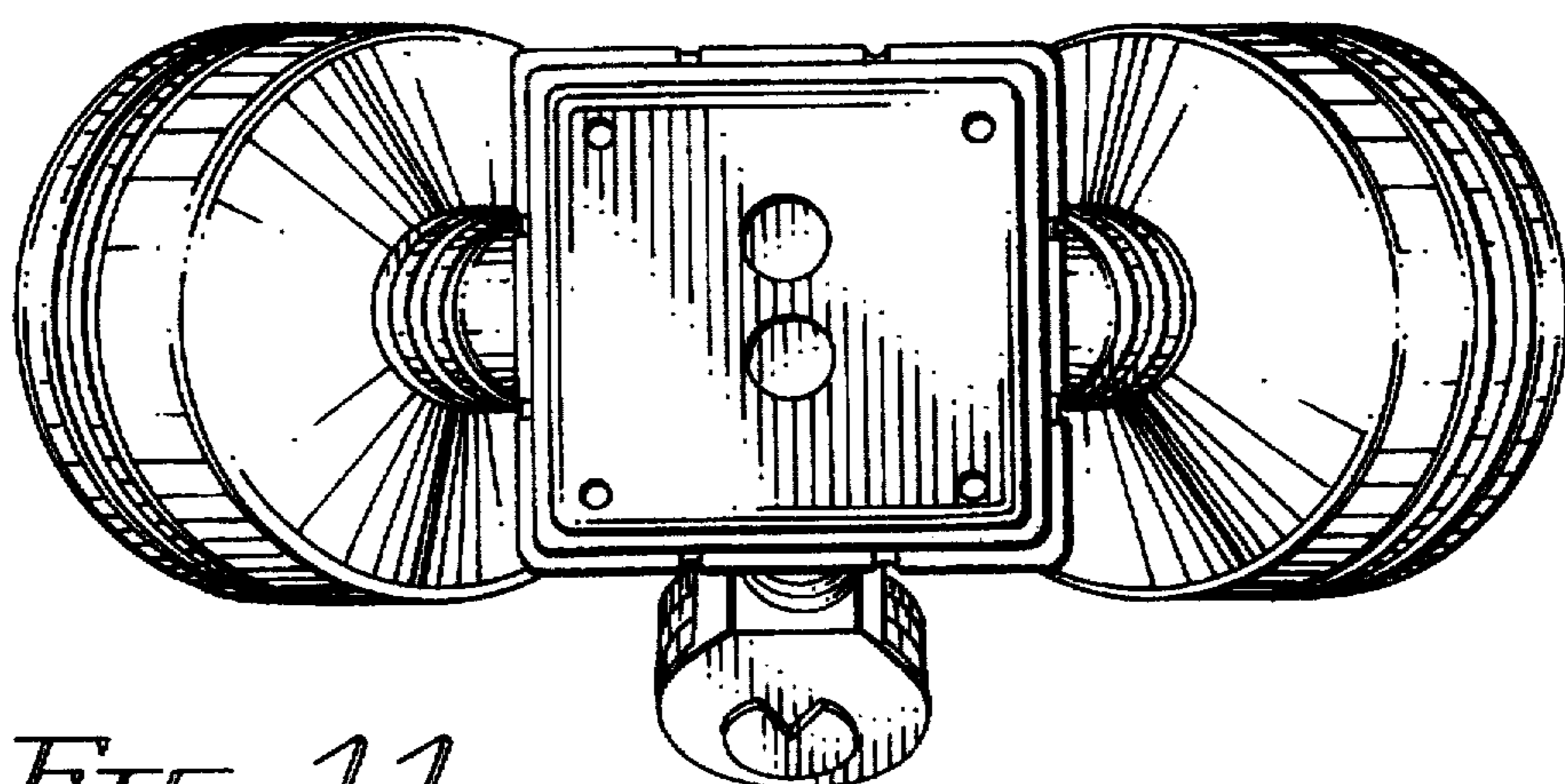


FIG. 11

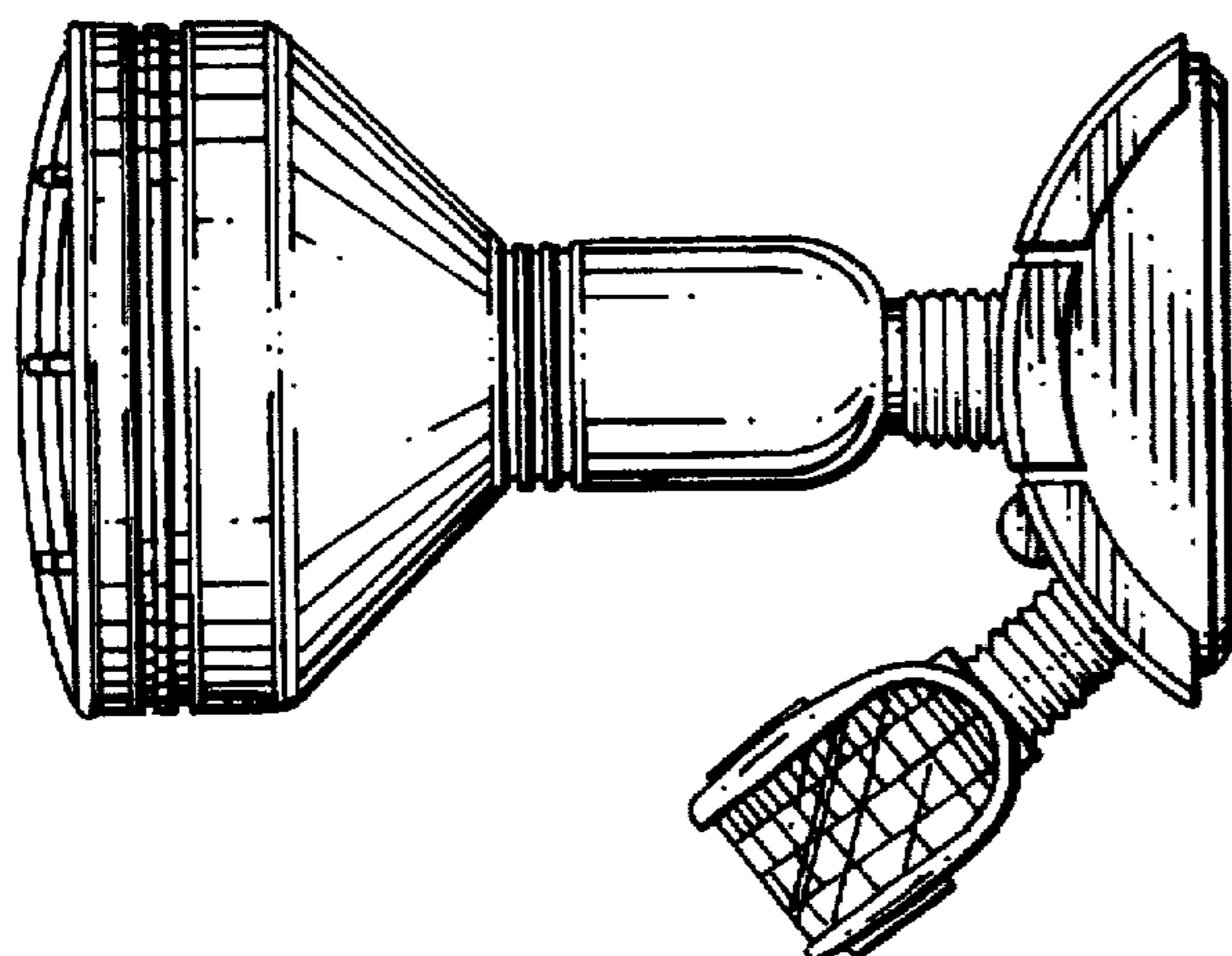


FIG. 12