



US00D392404S

**United States Patent** [19]  
**Brown**

[11] **Patent Number:** **Des. 392,404**  
[45] **Date of Patent:** **\*\*Mar. 17, 1998**

[54] **LAMP**

[75] **Inventor:** **Tobias A. Brown, Greenwich, Conn.**

[73] **Assignee:** **Specialty Lighting, Inc., Shelby, N.C.**

[\*\*] **Term:** **14 Years**

[21] **Appl. No.:** **64,794**

[22] **Filed:** **Jan. 10, 1997**

**Related U.S. Application Data**

[63] **Continuation-in-part of Ser. No. 60,374, Sep. 27, 1996, Pat. No. Des. 386,272.**

[51] **LOC (6) Cl.** ..... **26-05**

[52] **U.S. Cl.** ..... **D26/62**

[58] **Field of Search** ..... D26/60, 61, 62,  
D26/63, 64, 65; 362/410-414, 267, 275,  
277, 287, 418, 419, 427

[56] **References Cited**

**U.S. PATENT DOCUMENTS**

D. 66,779 3/1925 Pollano ..... D26/62

D. 269,297 6/1983 Lebowitz ..... D26/65  
D. 368,549 4/1996 Huang ..... D26/107

**FOREIGN PATENT DOCUMENTS**

249163 3/1948 Switzerland ..... 362/410

*Primary Examiner*—Susan J. Lucas

*Attorney, Agent, or Firm*—Fitzpatrick, Cella, Harper & Scinto

[57] **CLAIM**

The ornamental design for a lamp, as shown and described.

**DESCRIPTION**

FIG. 1 is a perspective view of a lamp showing my new design;

FIG. 2 is a side view thereof, the opposite side being the same;

FIG. 3 is a front view thereof;

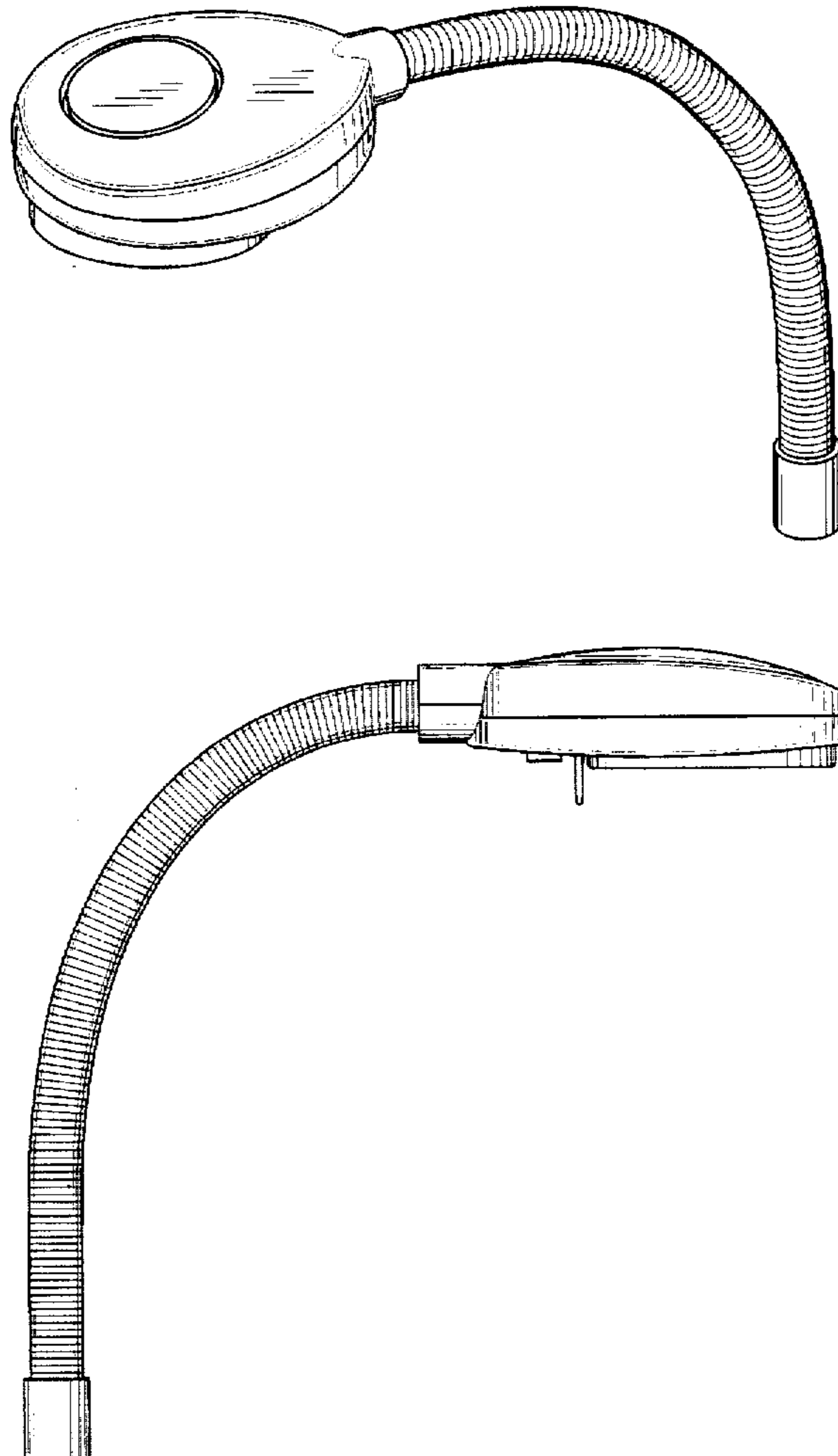
FIG. 4 is a back view thereof;

FIG. 5 is a top view thereof; and,

FIG. 6 is a bottom view thereof.

The support arm in FIGS. 3 and 4 has been broken away for convenience of illustration.

**1 Claim, 2 Drawing Sheets**



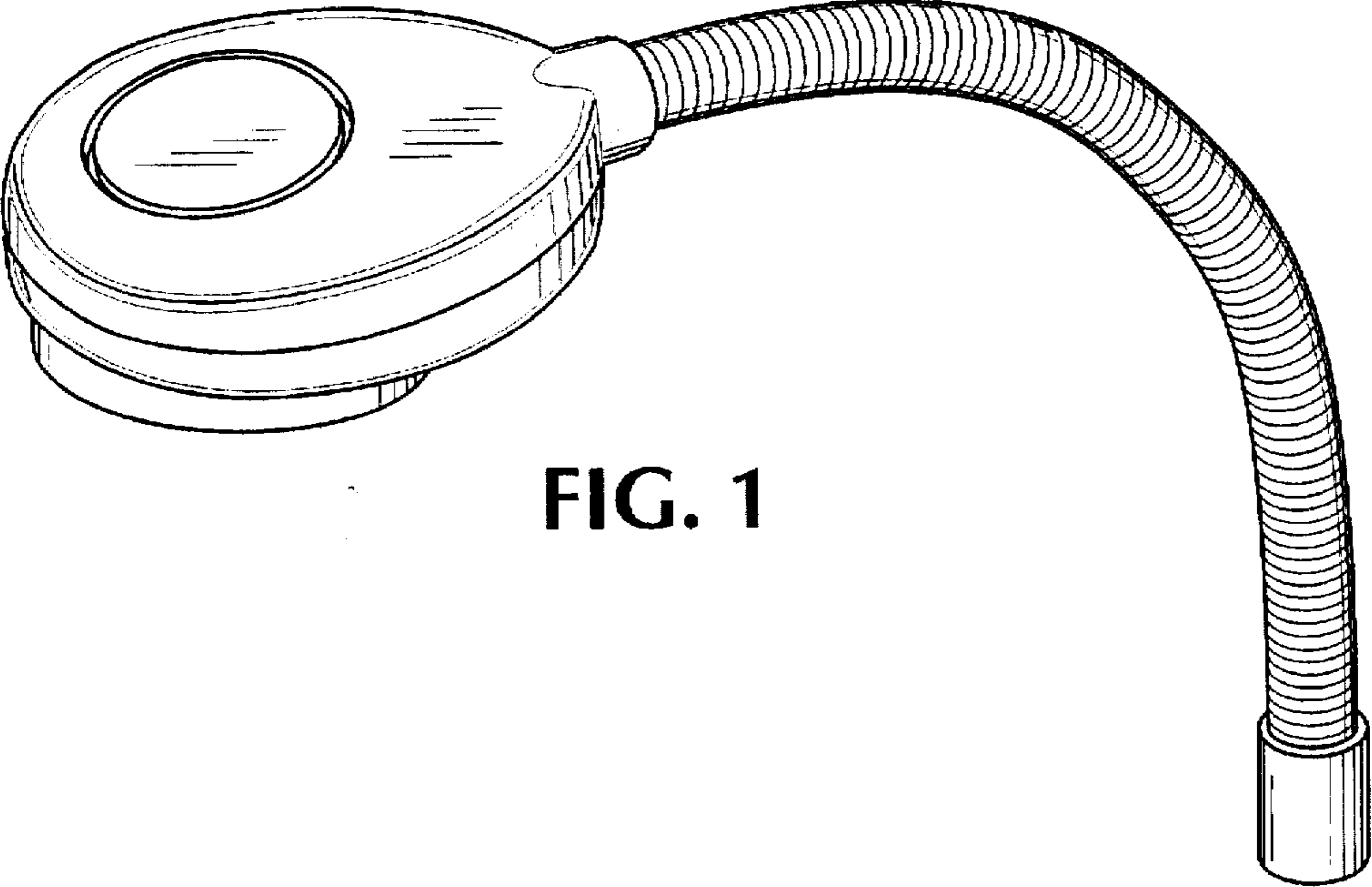


FIG. 1

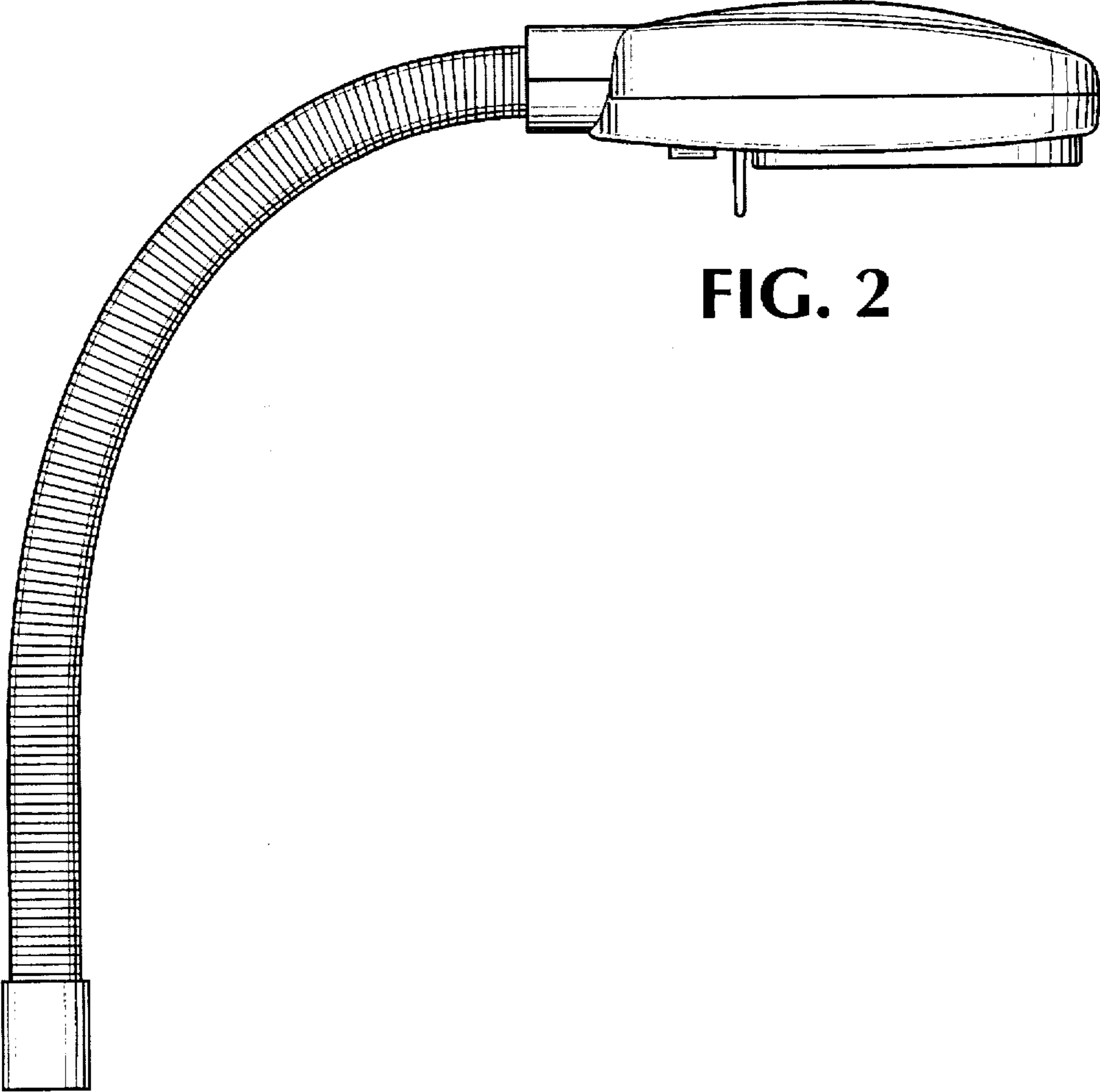


FIG. 2

FIG. 3

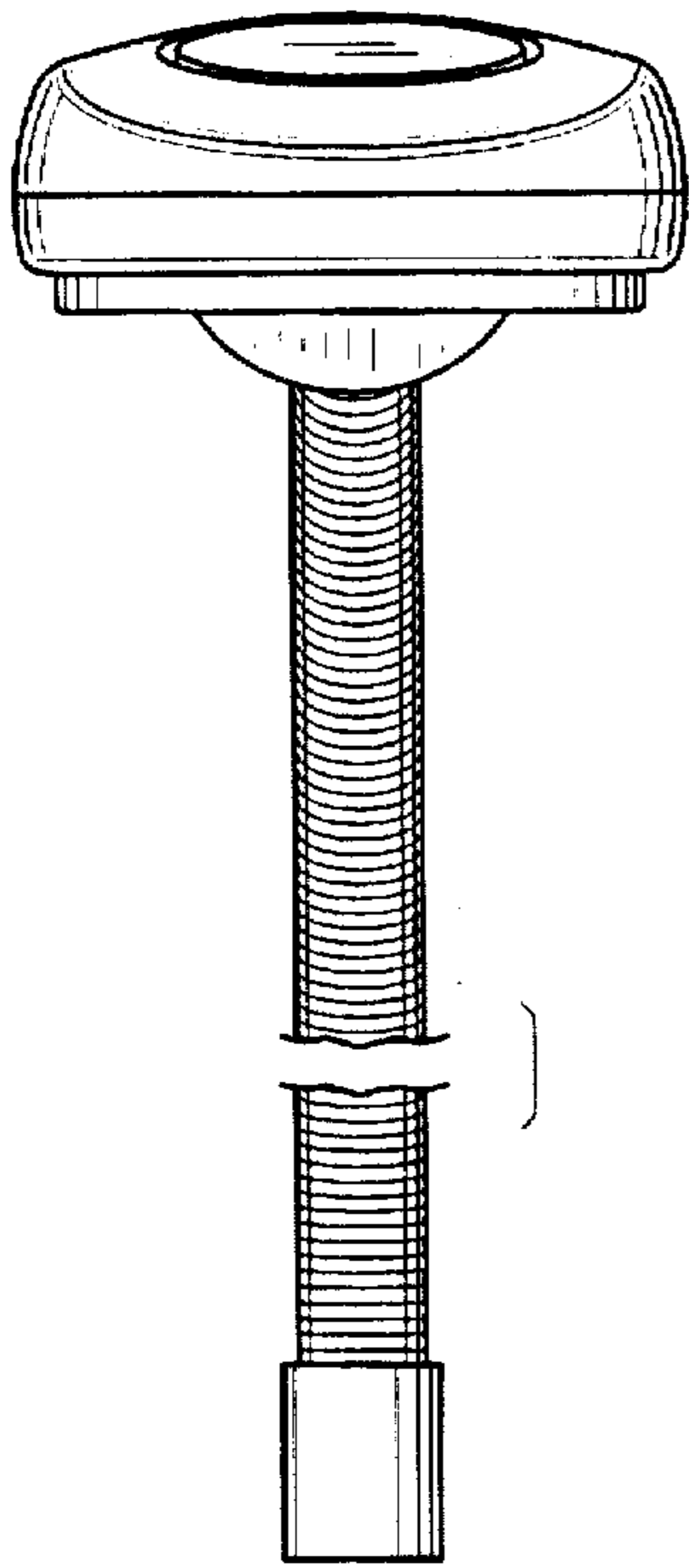


FIG. 4

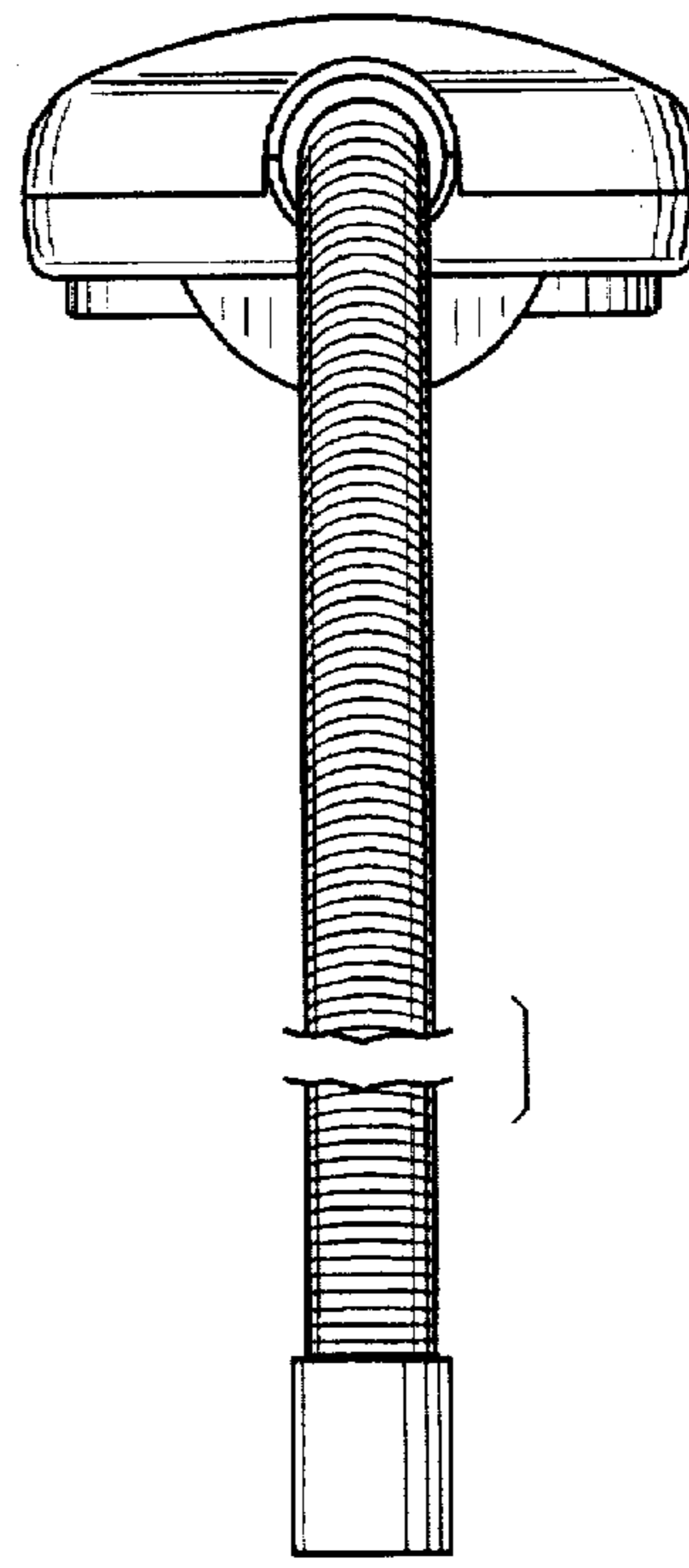


FIG. 5

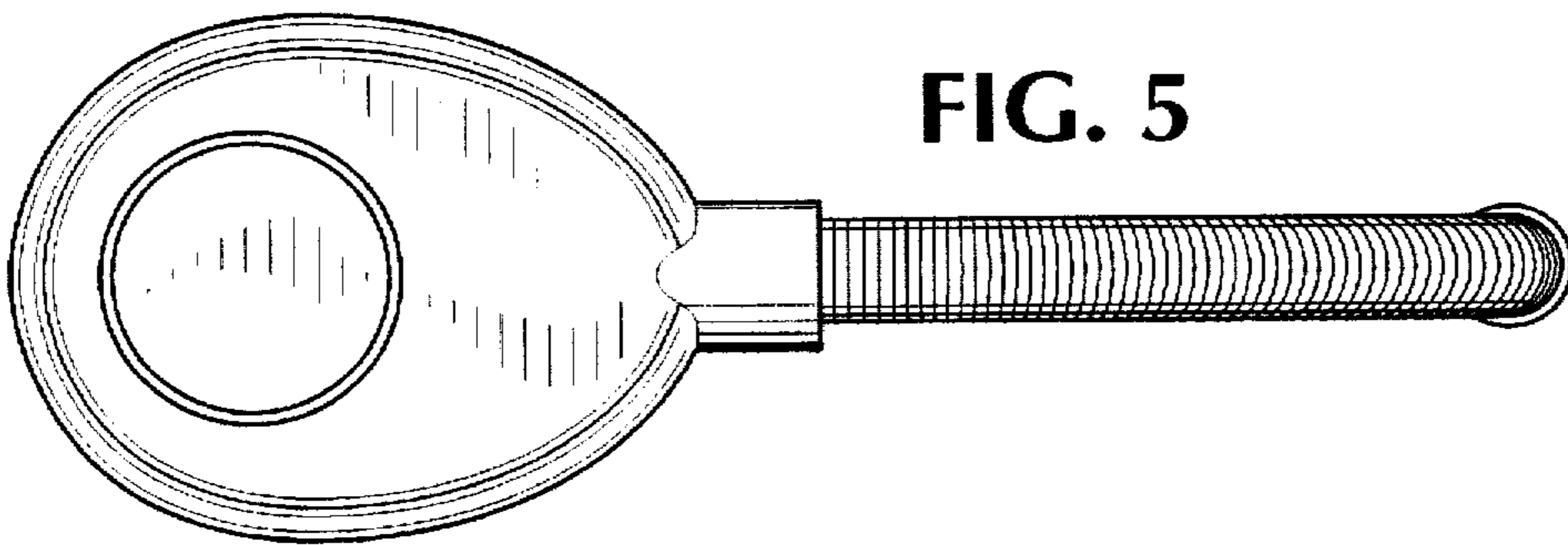


FIG. 6

