



US00D392402S

United States Patent [19]
Chen

[11] **Patent Number: Des. 392,402**
[45] **Date of Patent: **Mar. 17, 1998**

[54] **BULB HOUSING OF FLASHLIGHT**

[76] **Inventor: Chin-Hsiang Chen**, No. 10, Lane 398,
Sec. 2, Fu Chiang Road, Yung Kang
City, Taiwan

[**] **Term: 14 Years**

[21] **Appl. No.: 73,161**

[22] **Filed: Jun. 23, 1997**

[51] **LOC (6) Cl. 26-02**

[52] **U.S. Cl. D26/37**

[58] **Field of Search D26/37-50; 362/119,**
362/120, 157, 158, 184-208, 341-350

[56] **References Cited**

U.S. PATENT DOCUMENTS

- D. 351,672 10/1994 Tsay D26/37
- D. 380,060 6/1997 Chiang D26/37

Primary Examiner—Marcus A. Jackson
Attorney, Agent, or Firm—Charles E. Baxley, Esq.

[57] **CLAIM**

The ornamental design for a bulb housing of flashlight, as shown.

DESCRIPTION

FIG. 1 is a perspective view of a bulb housing of flashlight showing my new design;

FIG. 2 is a front elevation view thereof;

FIG. 3 is a rear elevation view thereof;

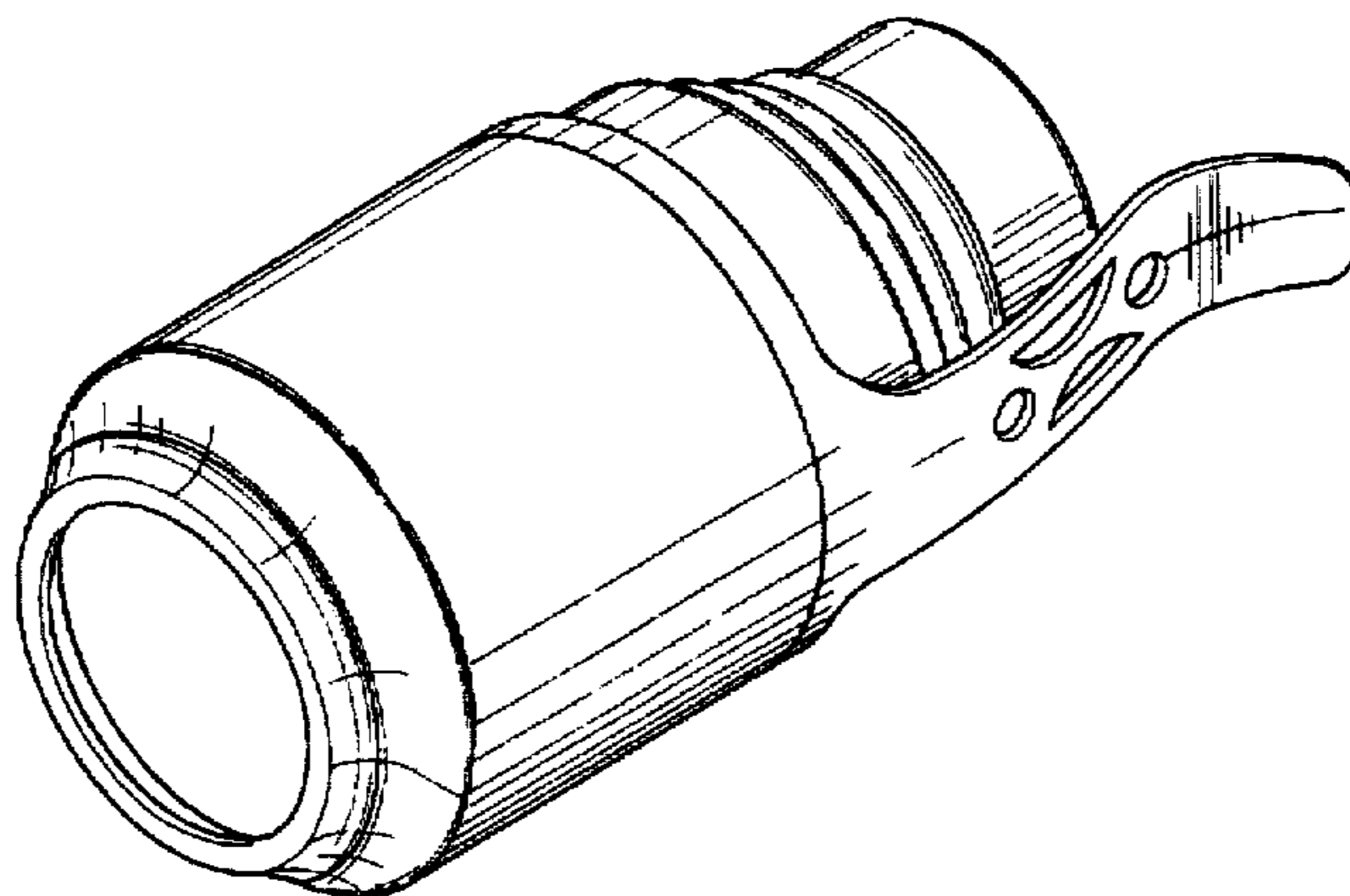
FIG. 4 is a left side elevation view thereof;

FIG. 5 is a right side elevation view thereof;

FIG. 6 is a top plan view thereof; and,

FIG. 7 is a bottom plan view thereof.

1 Claim, 6 Drawing Sheets



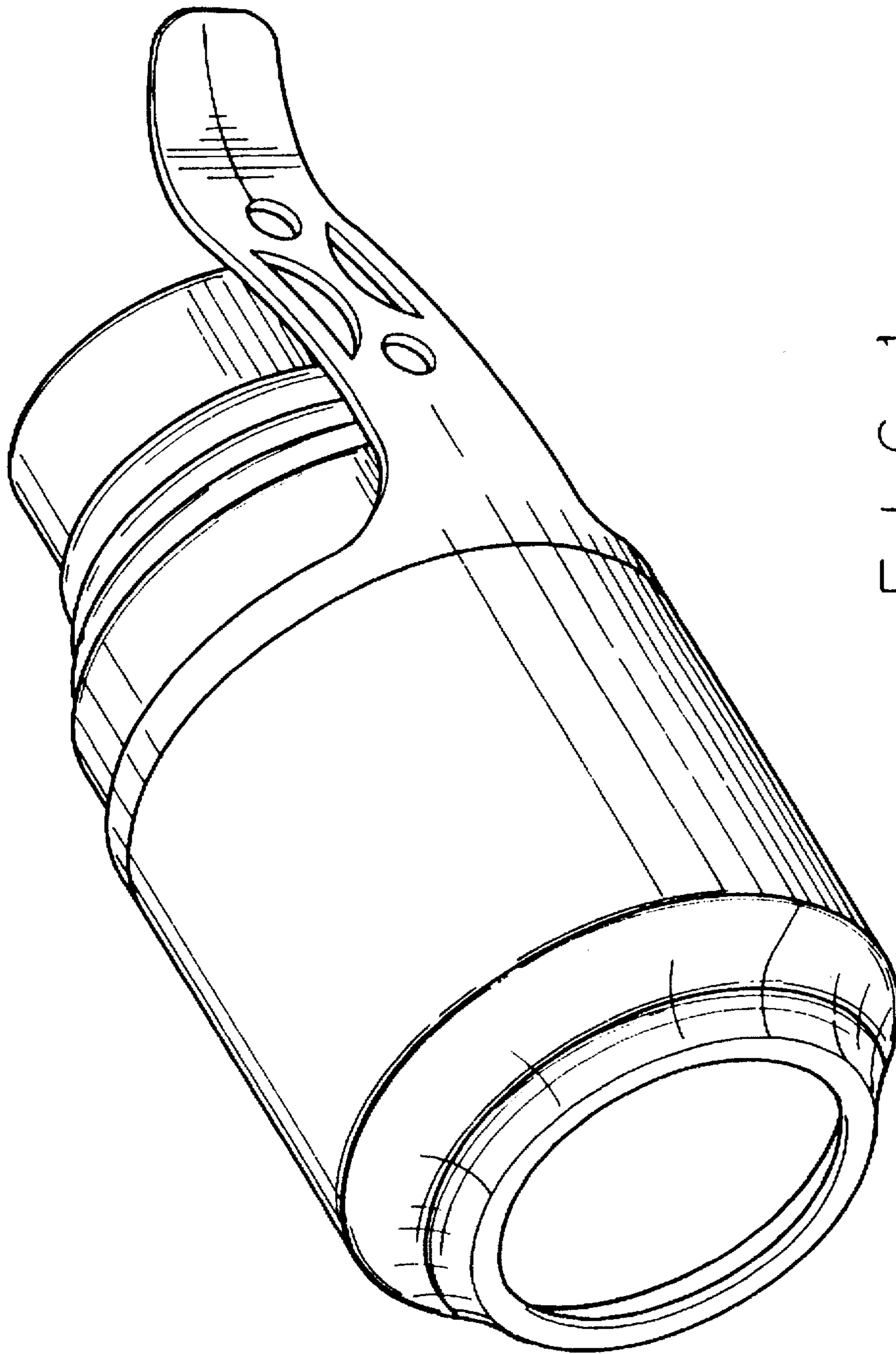


FIG. 1

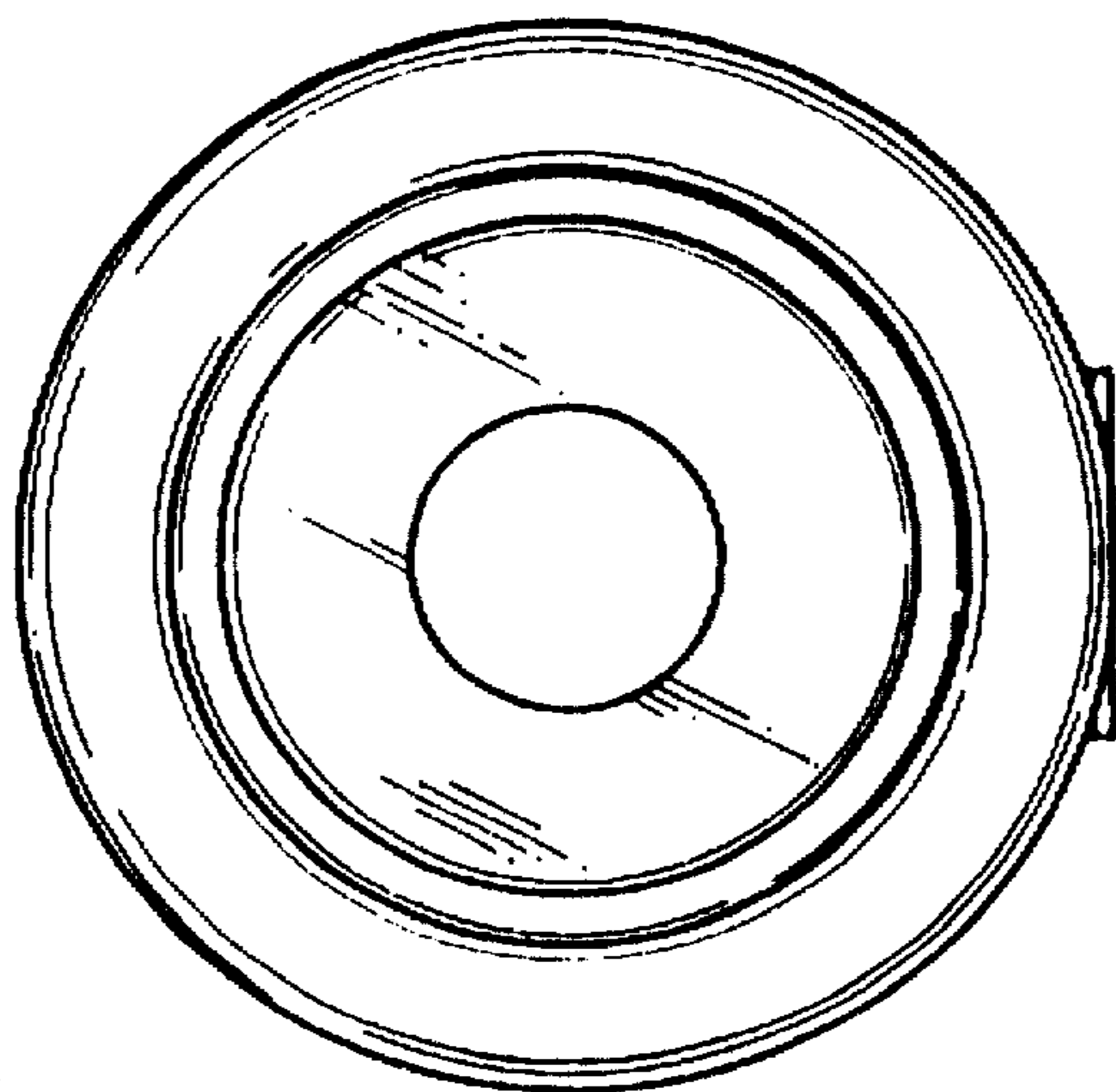


FIG. 2

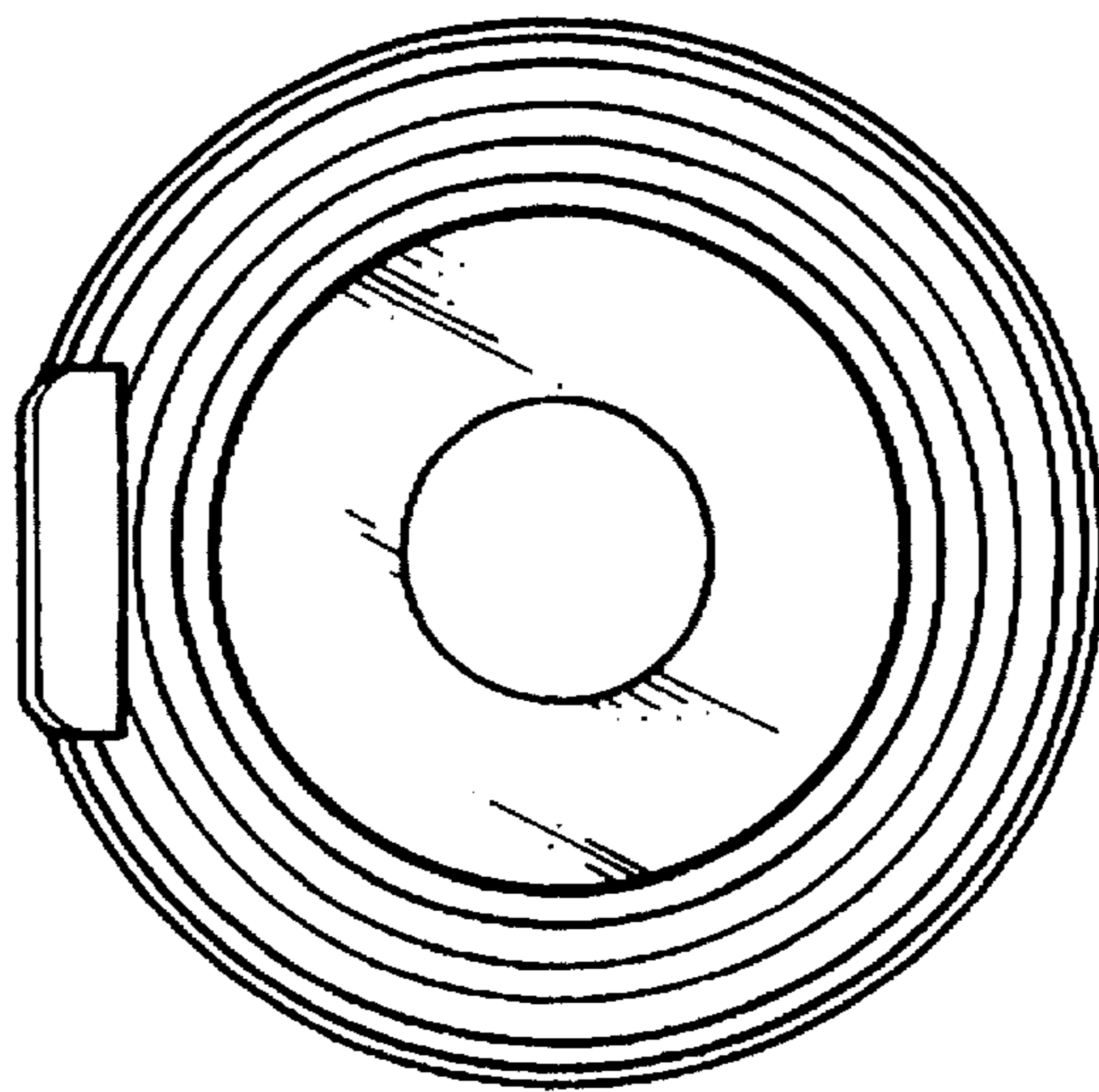
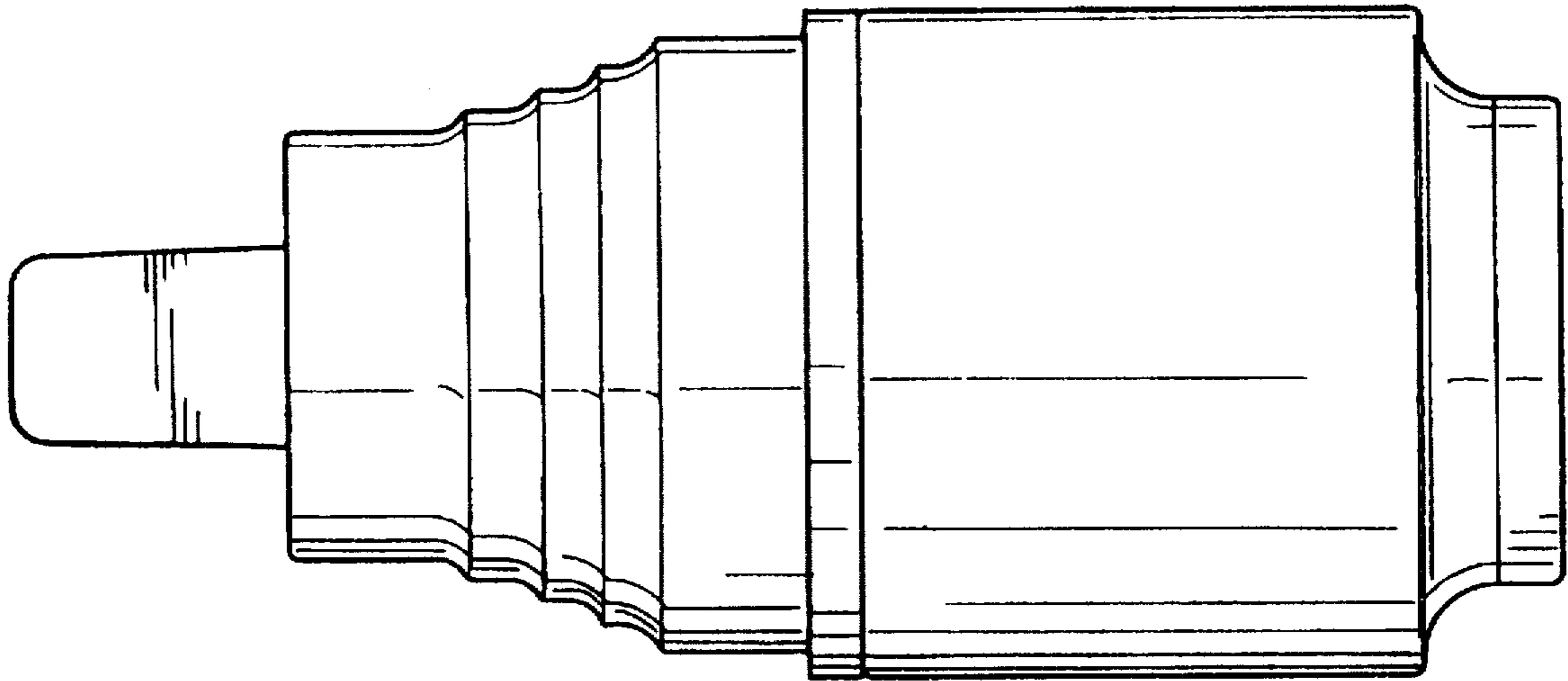
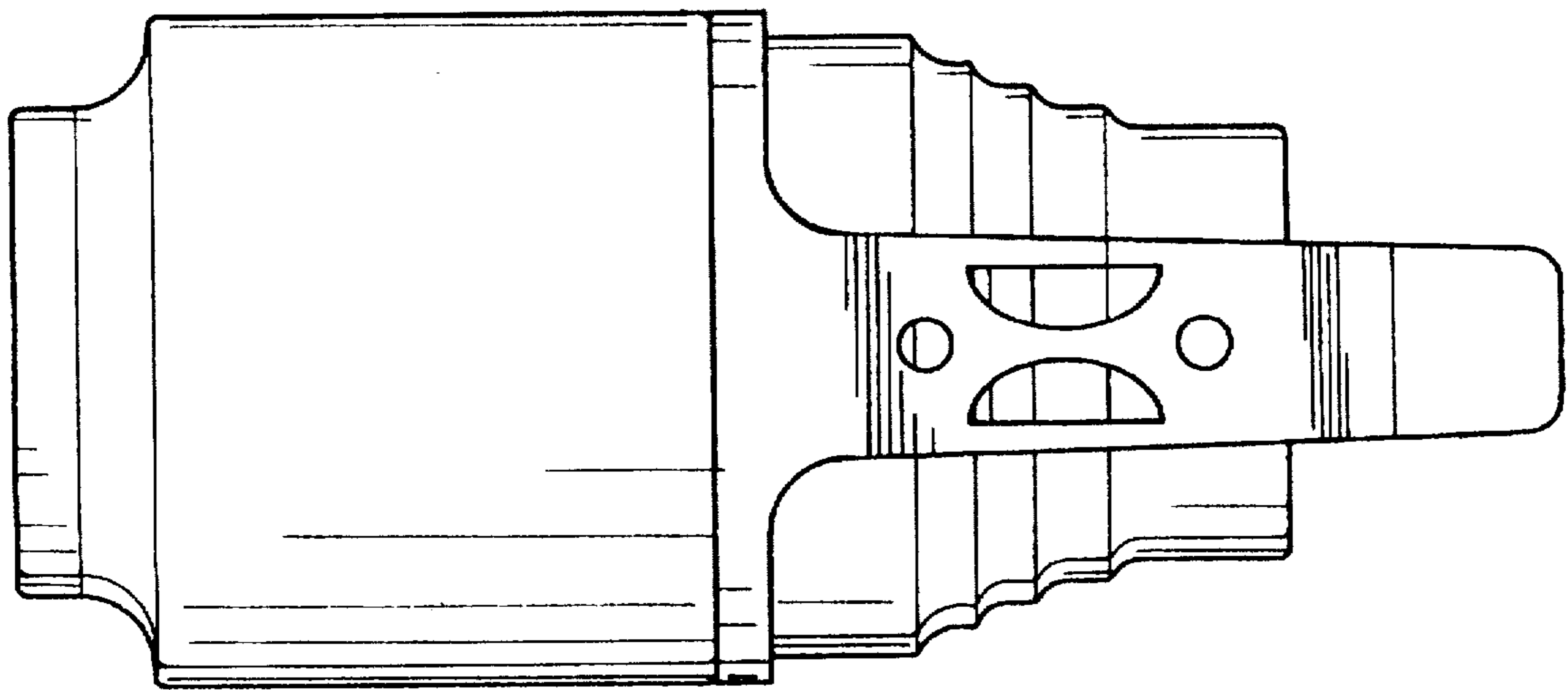


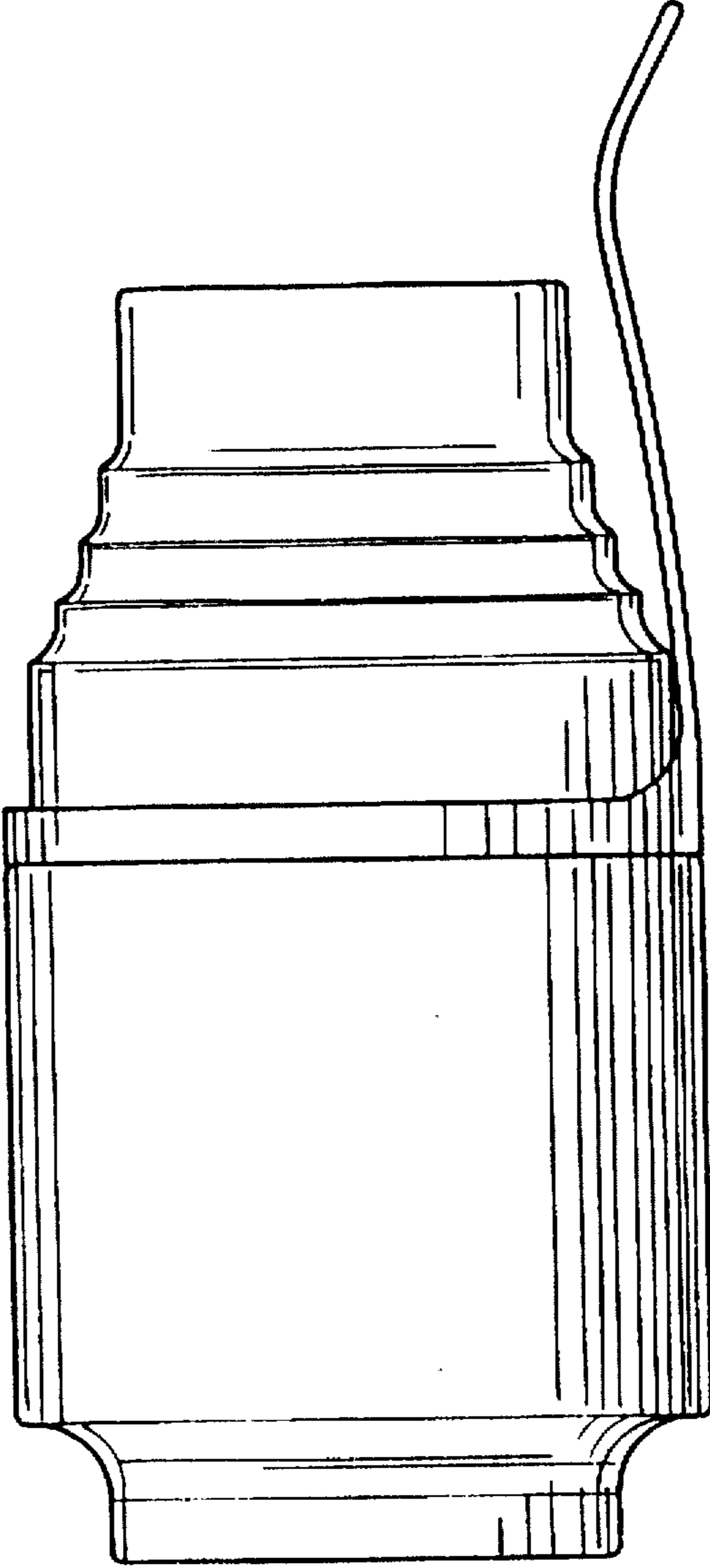
FIG. 3



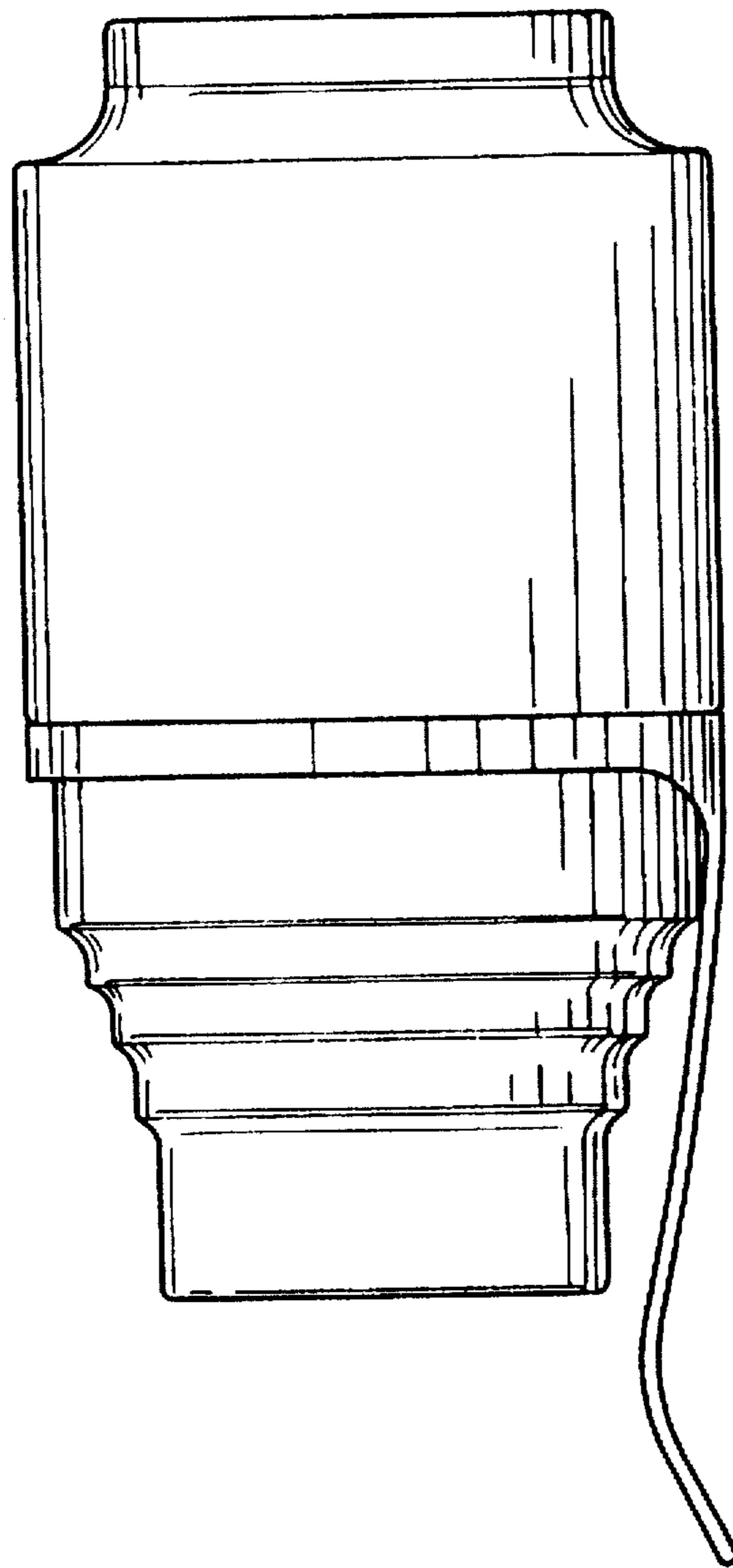
F I G. 4



F I G. 5



F I G. 6



F I G. 7