



US00D392401S

United States Patent [19]
Nagano

[11] **Patent Number:** **Des. 392,401**
[45] **Date of Patent:** ****Mar. 17, 1998**

[54] **TAILLAMP FOR A BICYCLE**
[75] **Inventor:** **Toshiyuki Nagano**, Takarazuka, Japan
[73] **Assignee:** **Cateye Co., Ltd.**, Osaka, Japan
[**] **Term:** **14 Years**

[21] **Appl. No.:** **45,101**
[22] **Filed:** **Oct. 10, 1995**

[30] **Foreign Application Priority Data**
Apr. 12, 1995 [JP] Japan 7-10310
[51] **LOC (6) Cl.** **26-06**
[52] **U.S. Cl.** **D26/28**
[58] **Field of Search** D26/28-36; 362/61,
362/72, 157, 158, 183-208

[56] **References Cited**
U.S. PATENT DOCUMENTS
D. 324,578 3/1992 Tsuyama D26/28
D. 345,022 3/1994 Hamasaki D26/28
D. 345,615 3/1994 Tsushi D26/28

D. 353,682 12/1994 Ueda D26/28
D. 372,317 7/1996 Kijima D26/28

Primary Examiner—Marcus A. Jackson
Attorney, Agent, or Firm—Banner & Witcoff, Ltd.

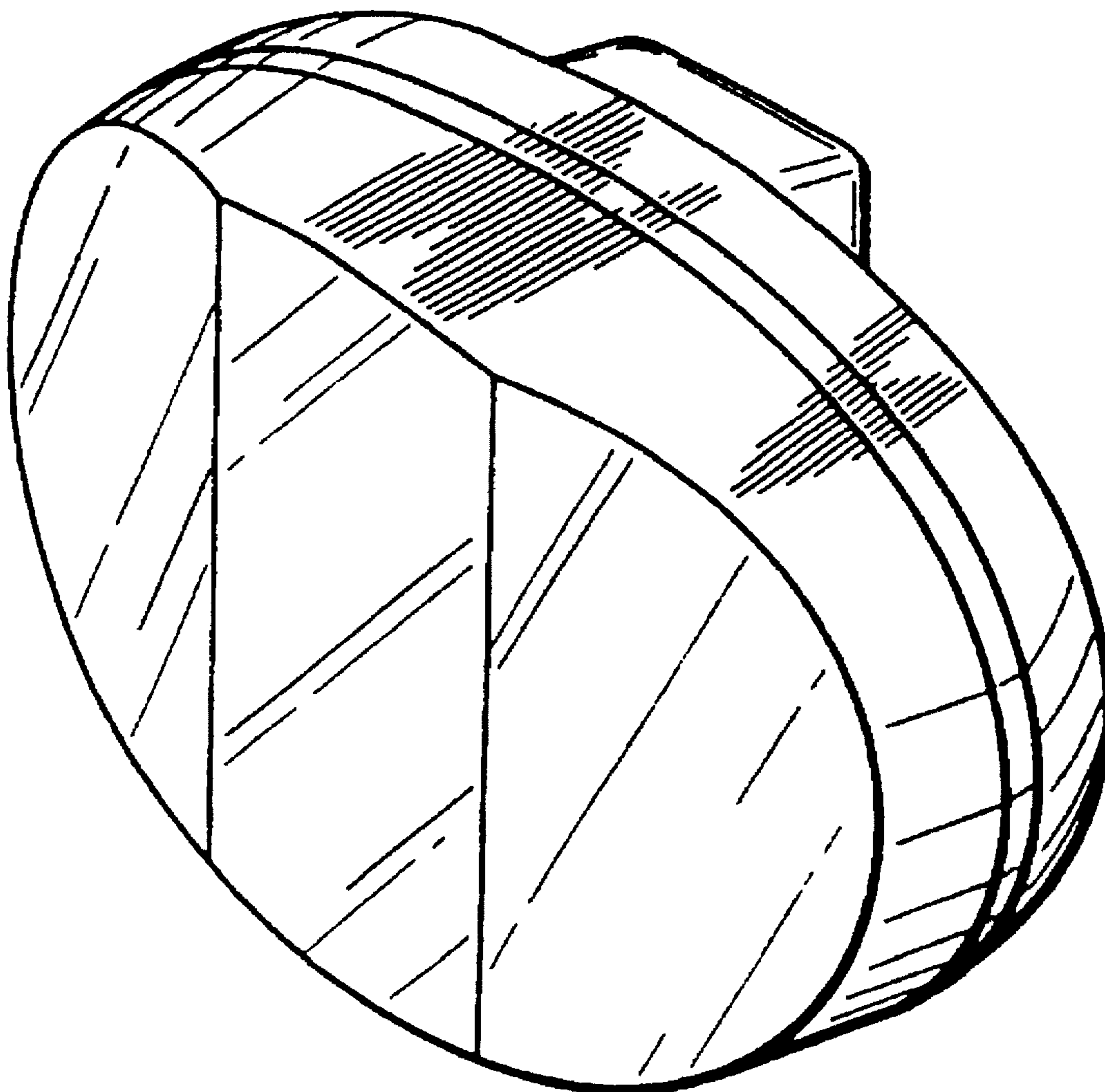
[57] **CLAIM**

The ornamental design for a taillamp for a bicycle, as shown.

DESCRIPTION

FIG. 1 is a front view of a taillight for a bicycle showing my new design;
FIG. 2 is a rear view thereof;
FIG. 3 is a top plan view thereof;
FIG. 4 is a bottom plan view thereof;
FIG. 5 is a left side view thereof;
FIG. 6 is a right side view thereof;
FIG. 7 is a front perspective view thereof;
FIG. 8 is a cross sectional view taken along with line A—A in FIG. 1 thereof;
FIG. 9 is a cross sectional view taken along with line B—B in FIG. 1 thereof; and,
FIG. 10 is a cross sectional view taken along with line C—C in FIG. 1 thereof.

1 Claim, 2 Drawing Sheets



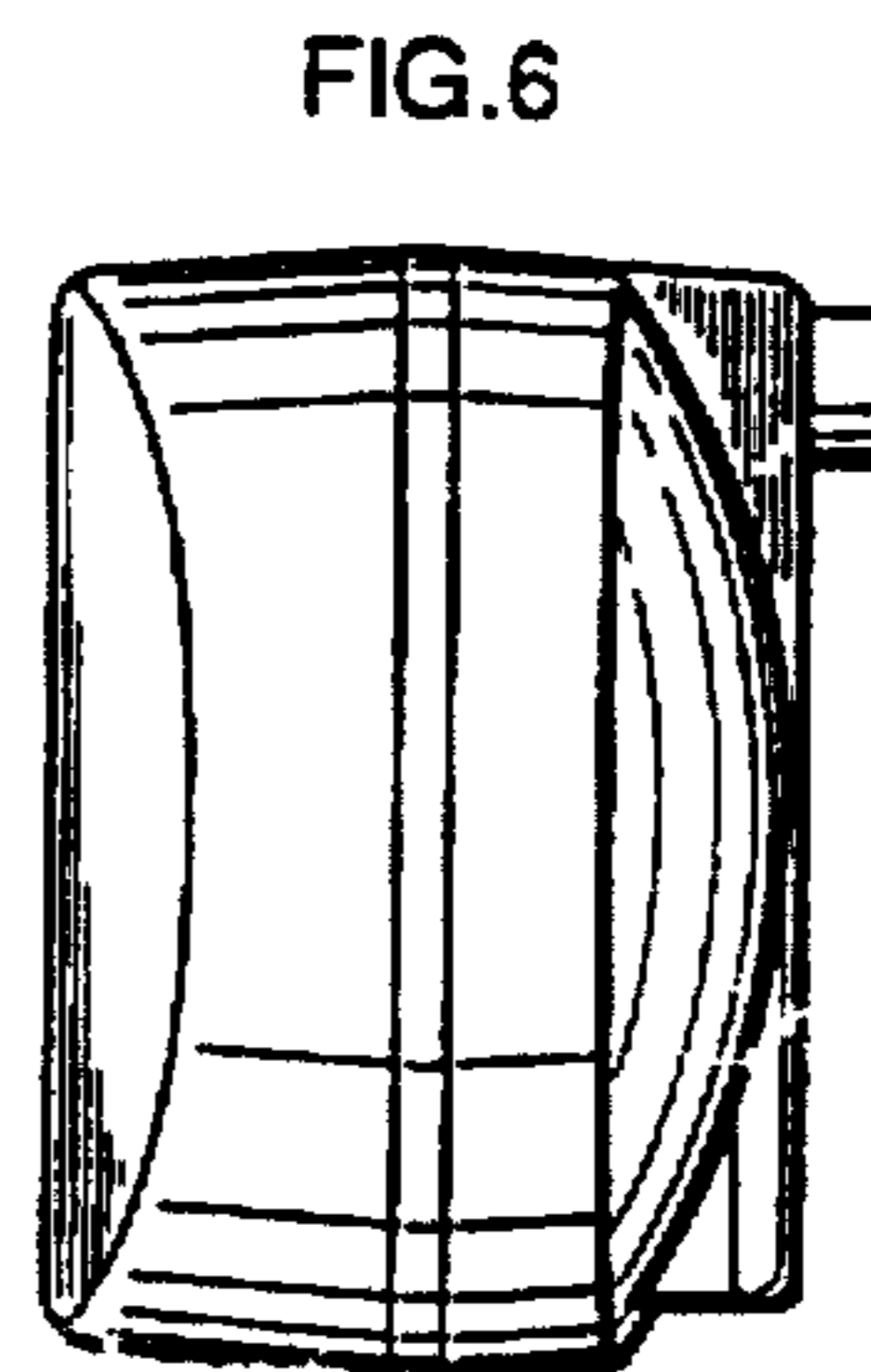
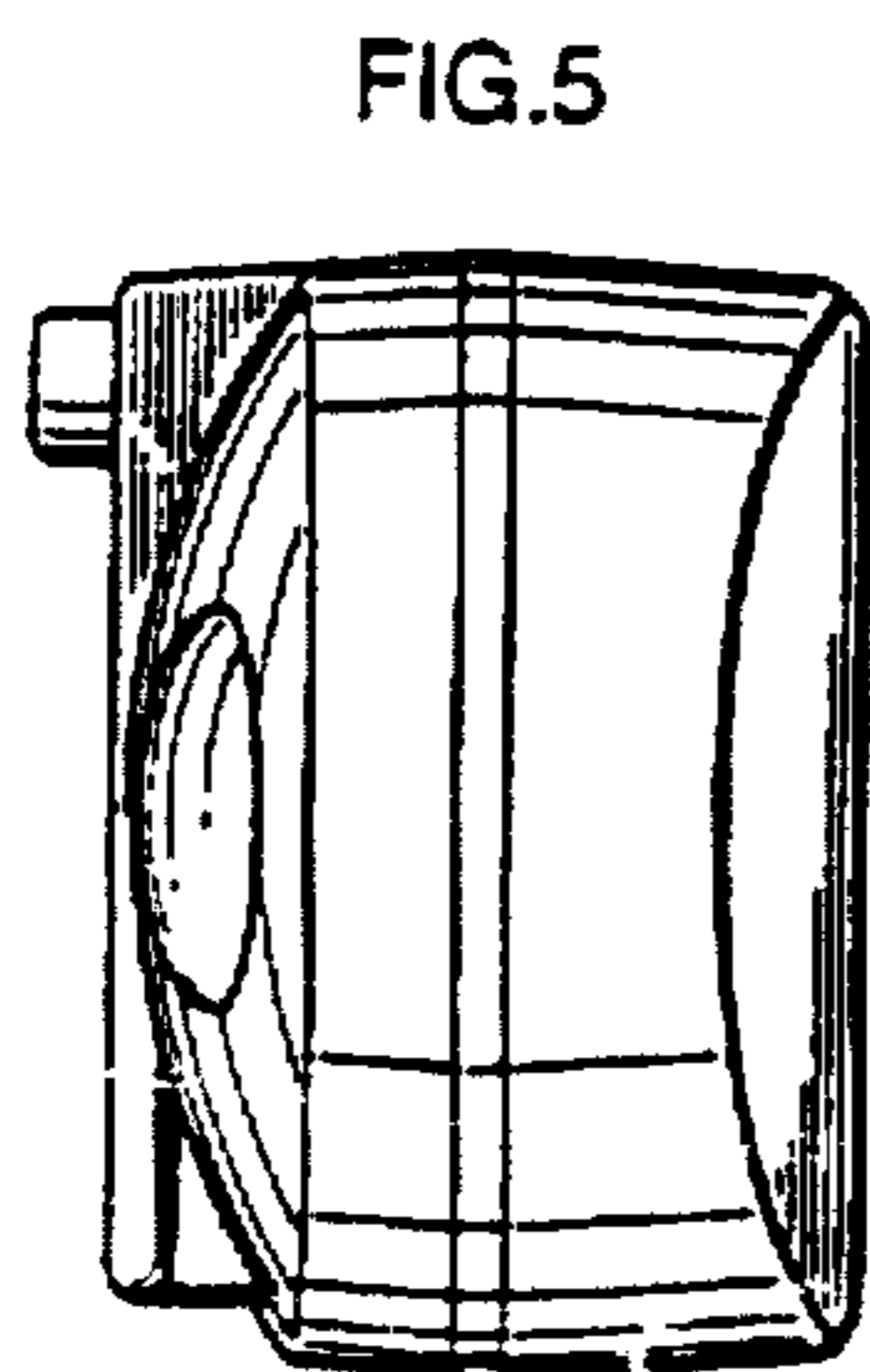
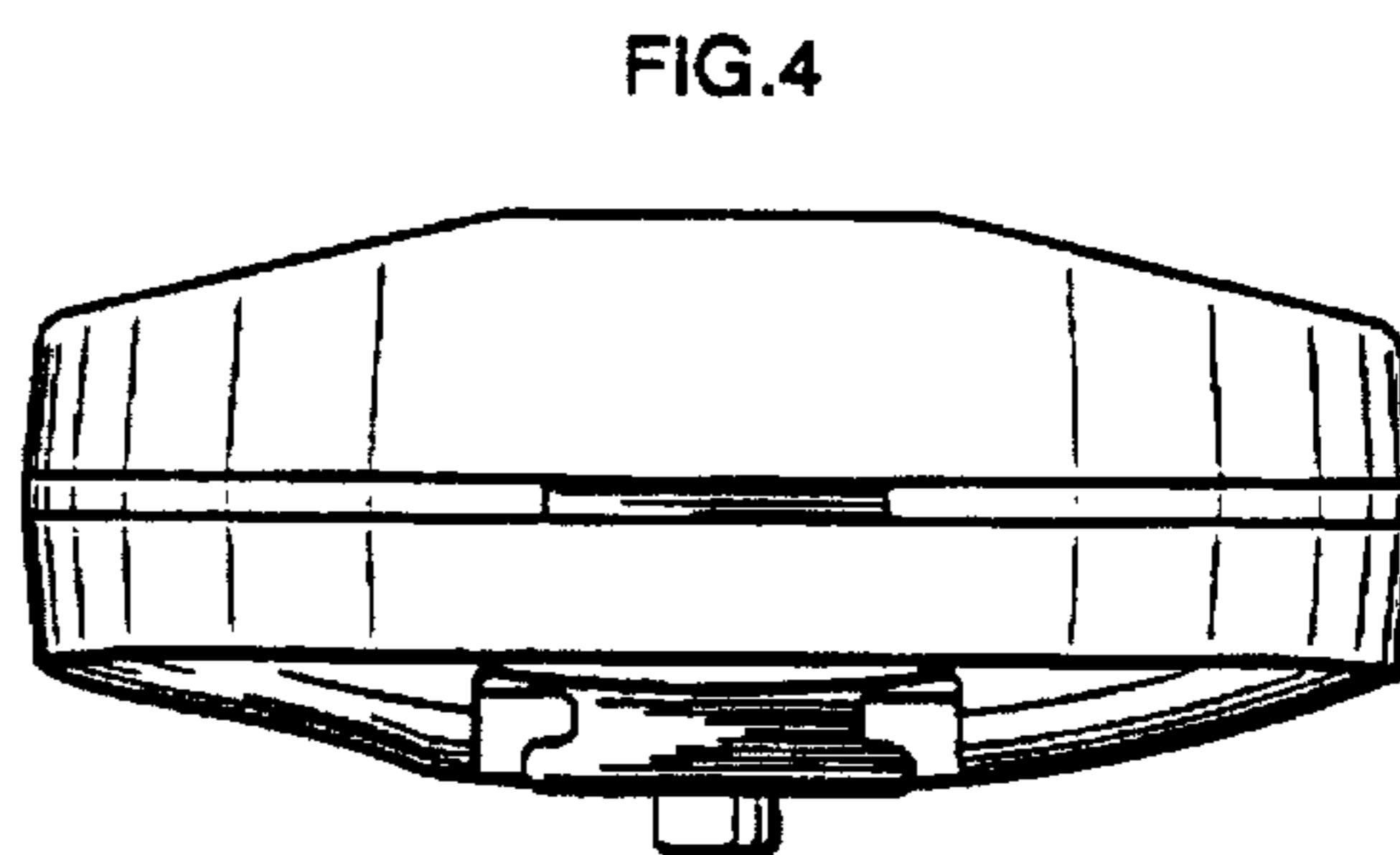
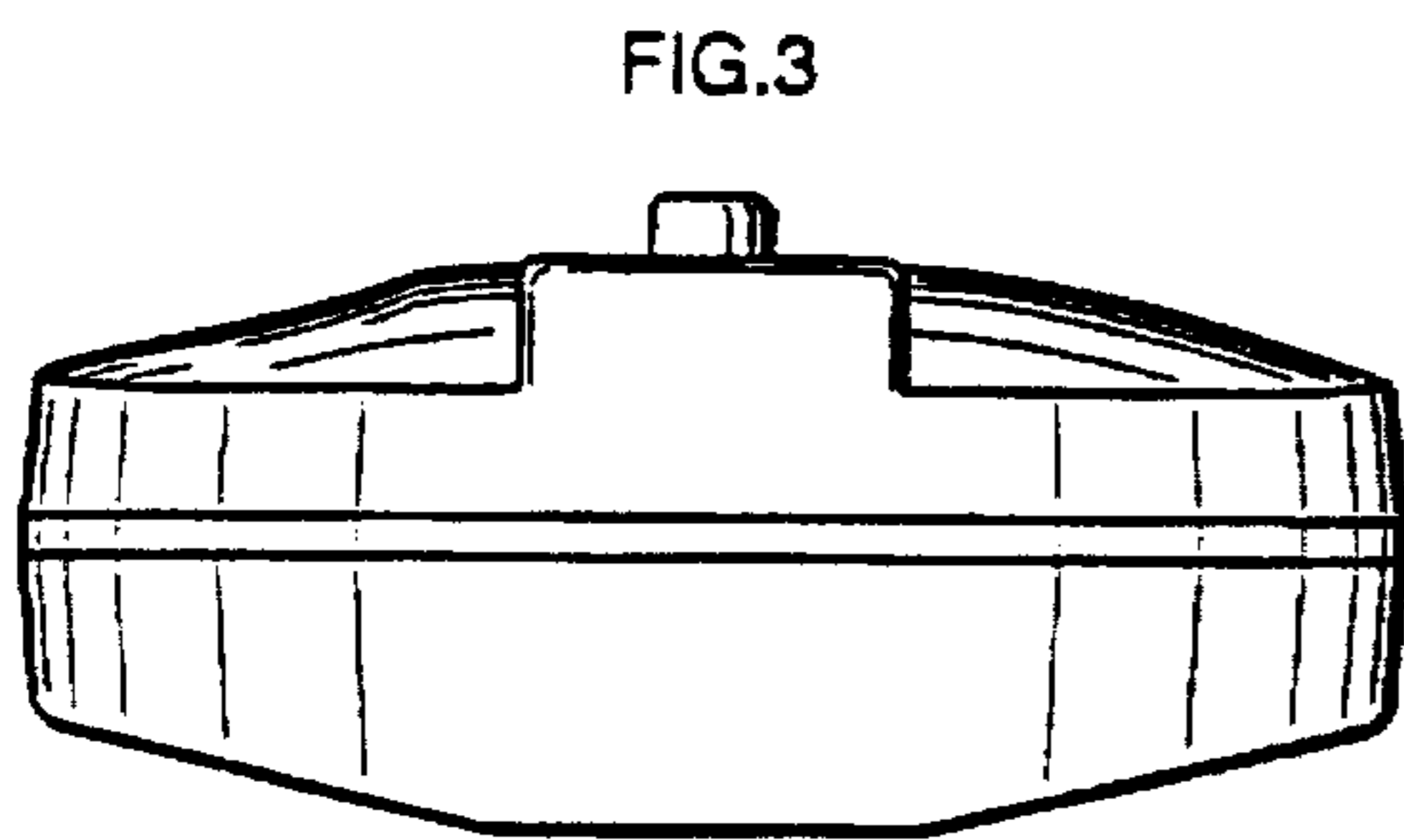
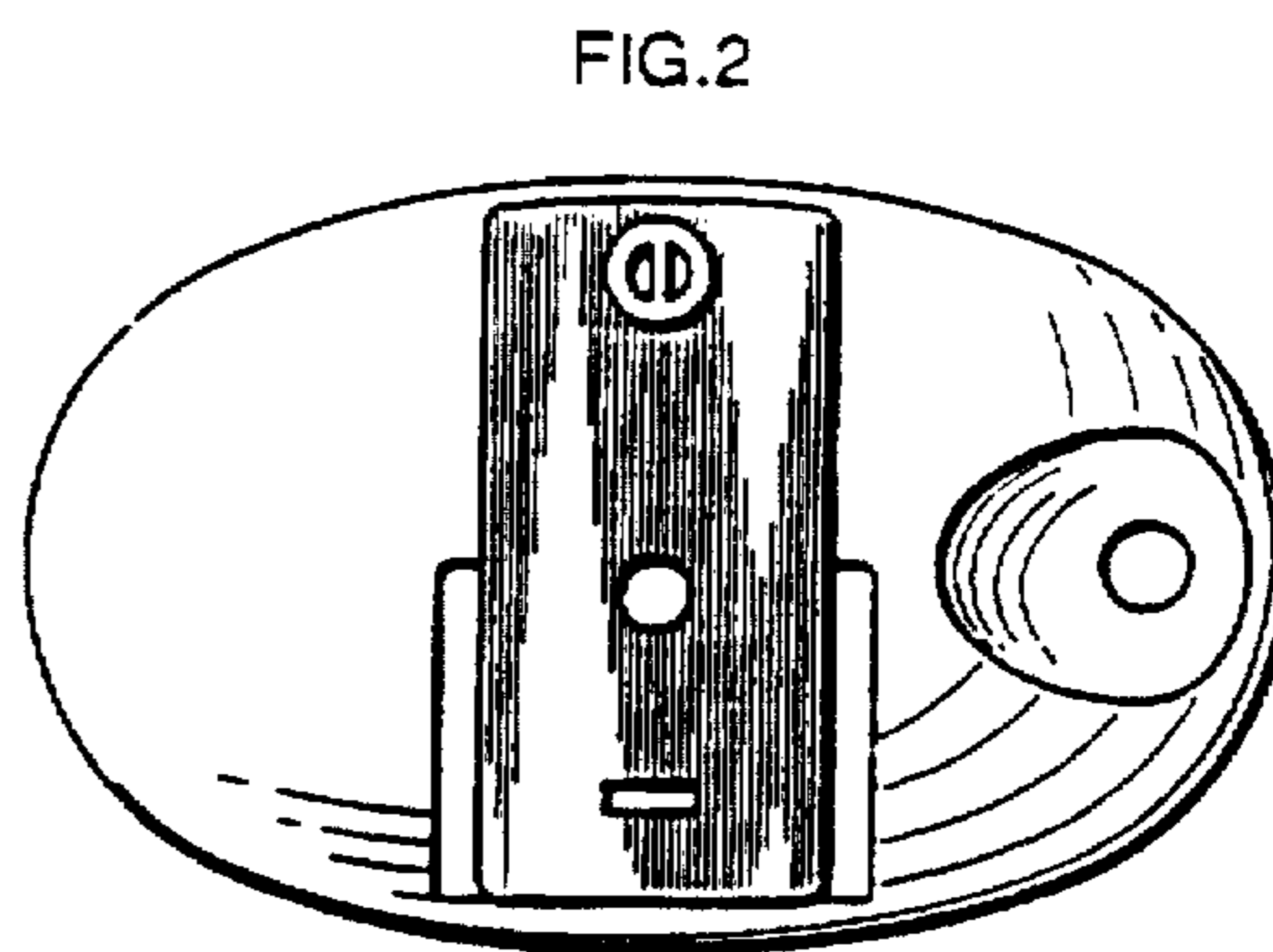
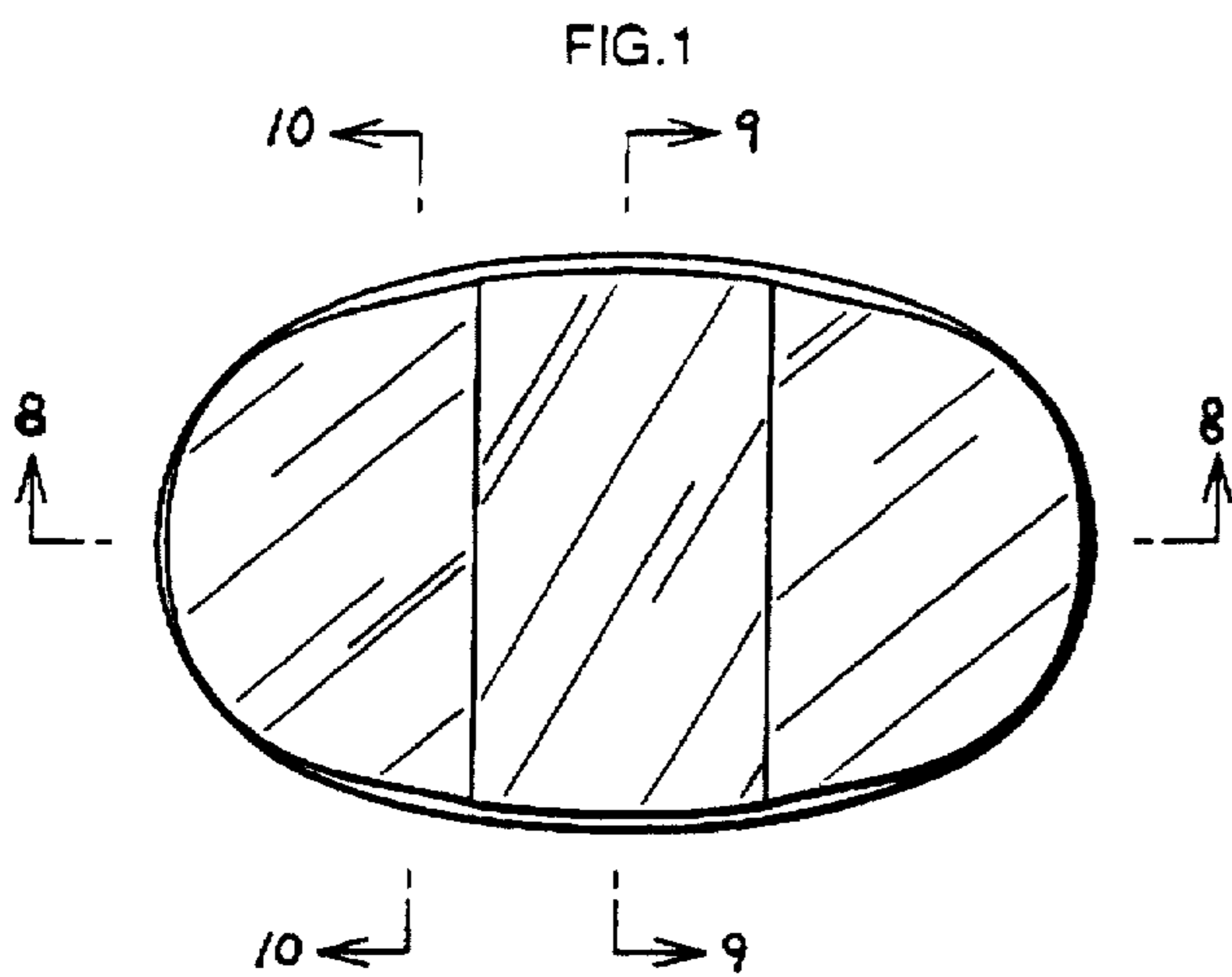


FIG.7

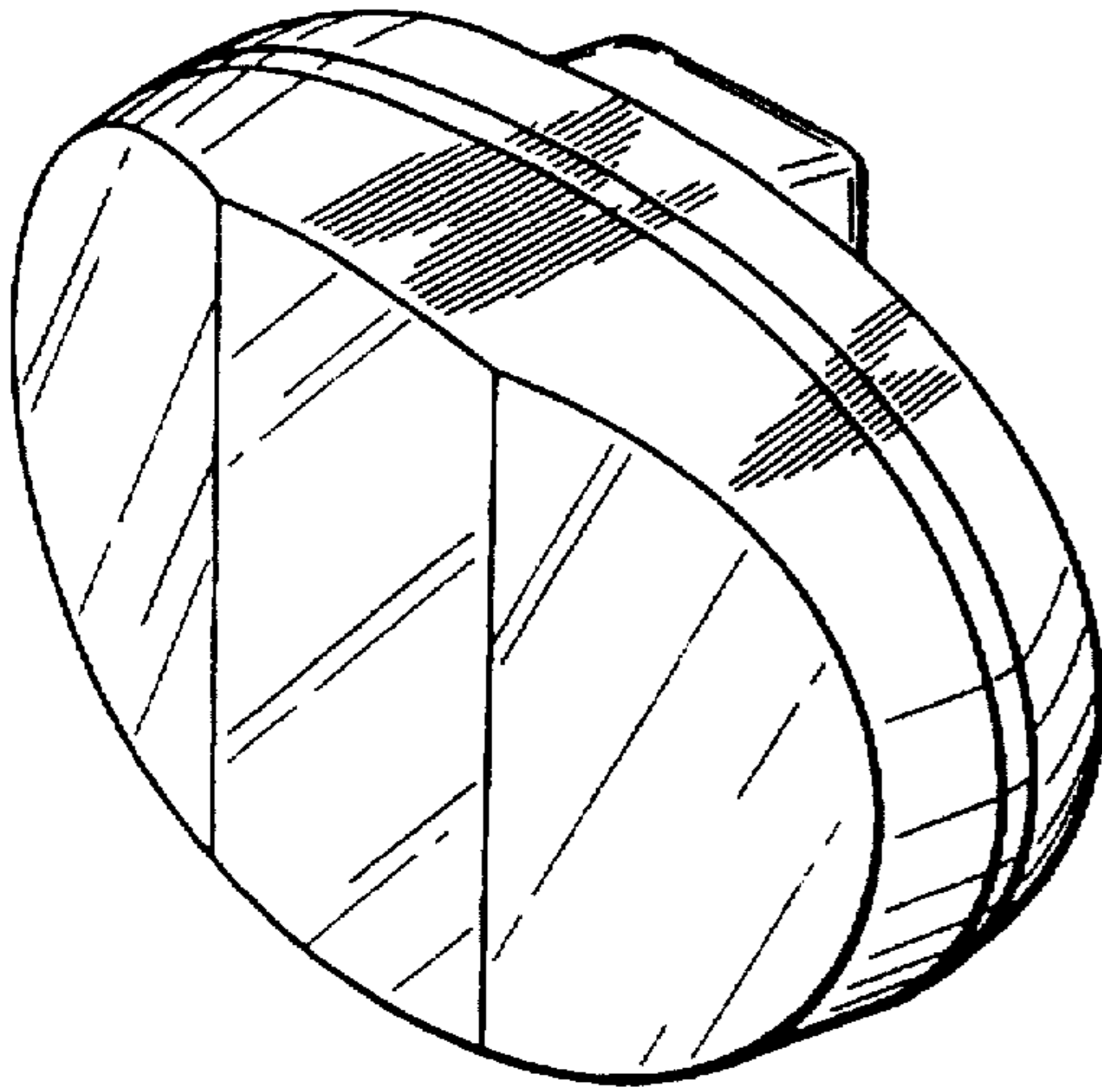


FIG.8

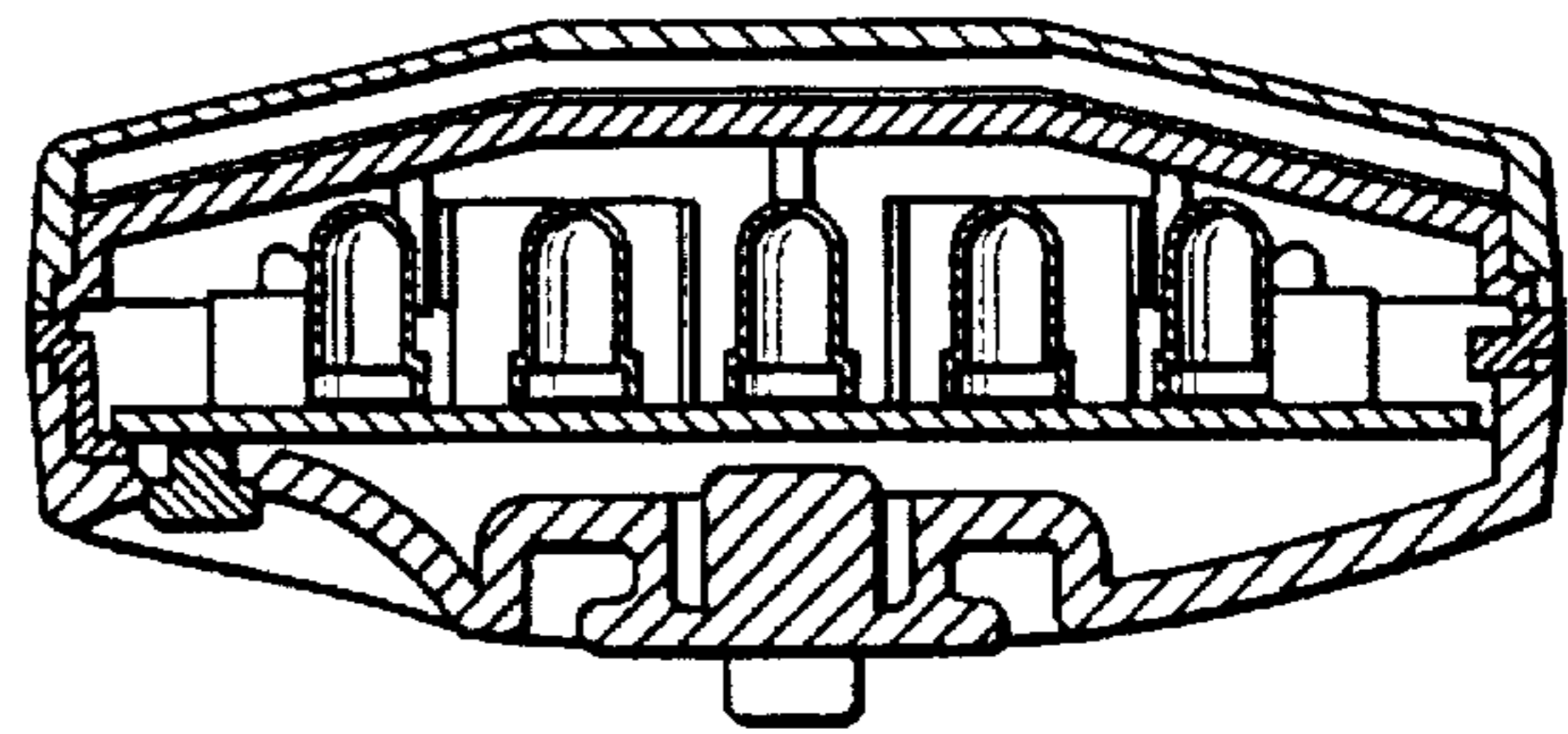


FIG.9

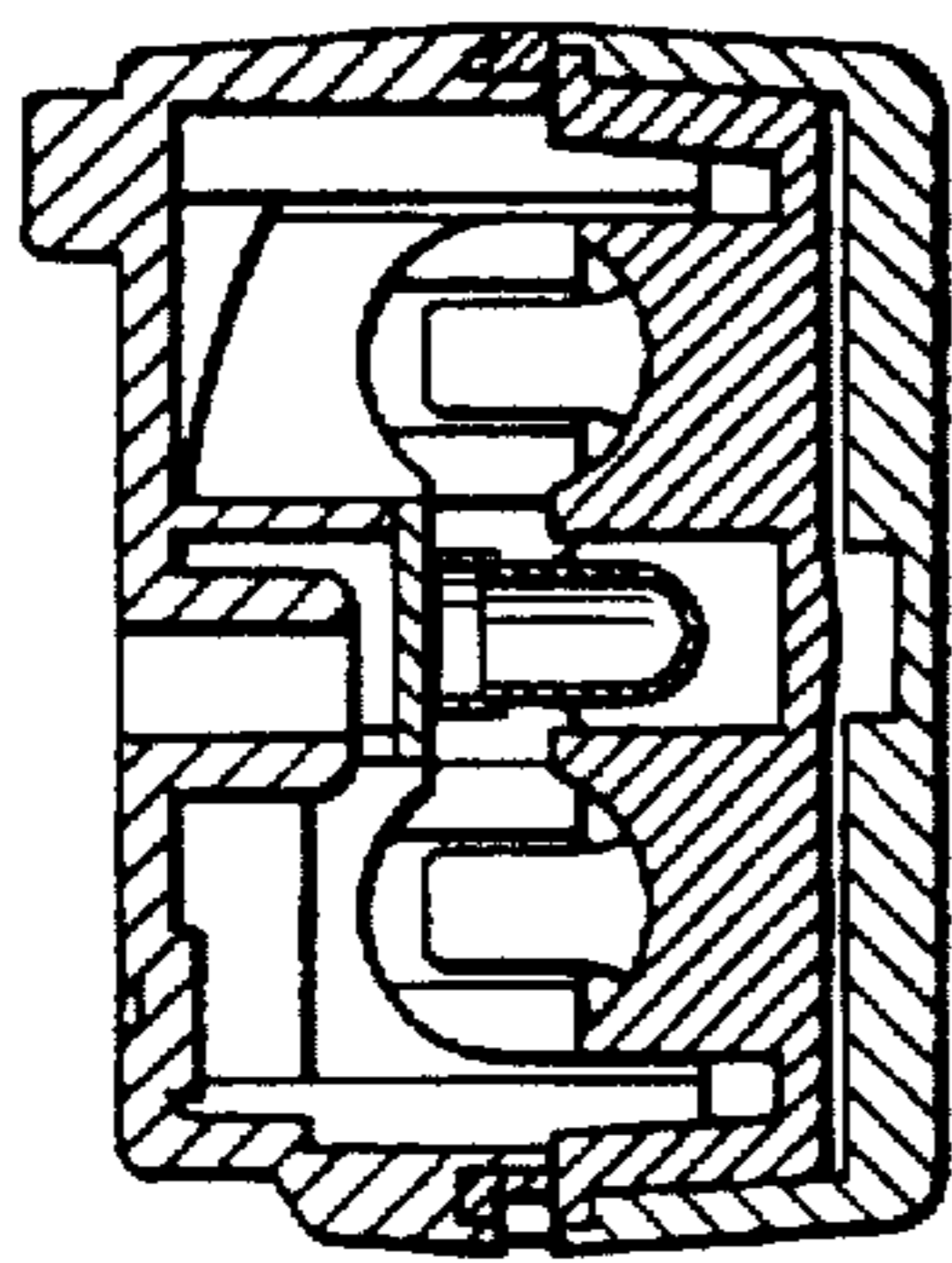


FIG.10

