



US00D392400S

United States Patent [19] Emmerling

[11] Patent Number: **Des. 392,400**

[45] Date of Patent: ****Mar. 17, 1998**

[54] **NIGHT LIGHT**

4,549,250 10/1985 Spector 362/226 X

[75] Inventor: **Ronald A. Emmerling**, Glen Ridge, N.J.

OTHER PUBLICATIONS

Better Homes & Garden, Dec. 1960, p. 78. Sylvania Night Light.

[73] Assignee: **American Tack & Hardware Co. Ltd.**, Monsey, N.Y.

Primary Examiner—Susan J. Lucas
Attorney, Agent, or Firm—Hedman, Gibson & Costigan

[**] Term: **14 Years**

[57] CLAIM

[21] Appl. No.: **52,830**

The ornamental design for a night light, as shown and described.

[22] Filed: **Apr. 8, 1996**

DESCRIPTION

[51] LOC (6) Cl. **26-05**

[52] U.S. Cl. **D26/26; D26/72**

[58] Field of Search **D26/72, 80-92, D26/26, 37, 38, 118; 362/226, 147, 432**

FIG. 1 is a front perspective view of a night light according to my design;

FIG. 2 is a front view of my design;

FIG. 3 is a back view of my design;

FIG. 4 is a right side view of my design which is a mirror image of the left side of my design; and,

FIG. 5 is a bottom view of my design which is a mirror image of the top view of my design.

[56] References Cited

U.S. PATENT DOCUMENTS

D. 352,564	11/1994	Marischen	D26/26
3,061,716	10/1962	Benander	362/226
4,344,116	8/1982	Martin	362/226

1 Claim, 1 Drawing Sheet

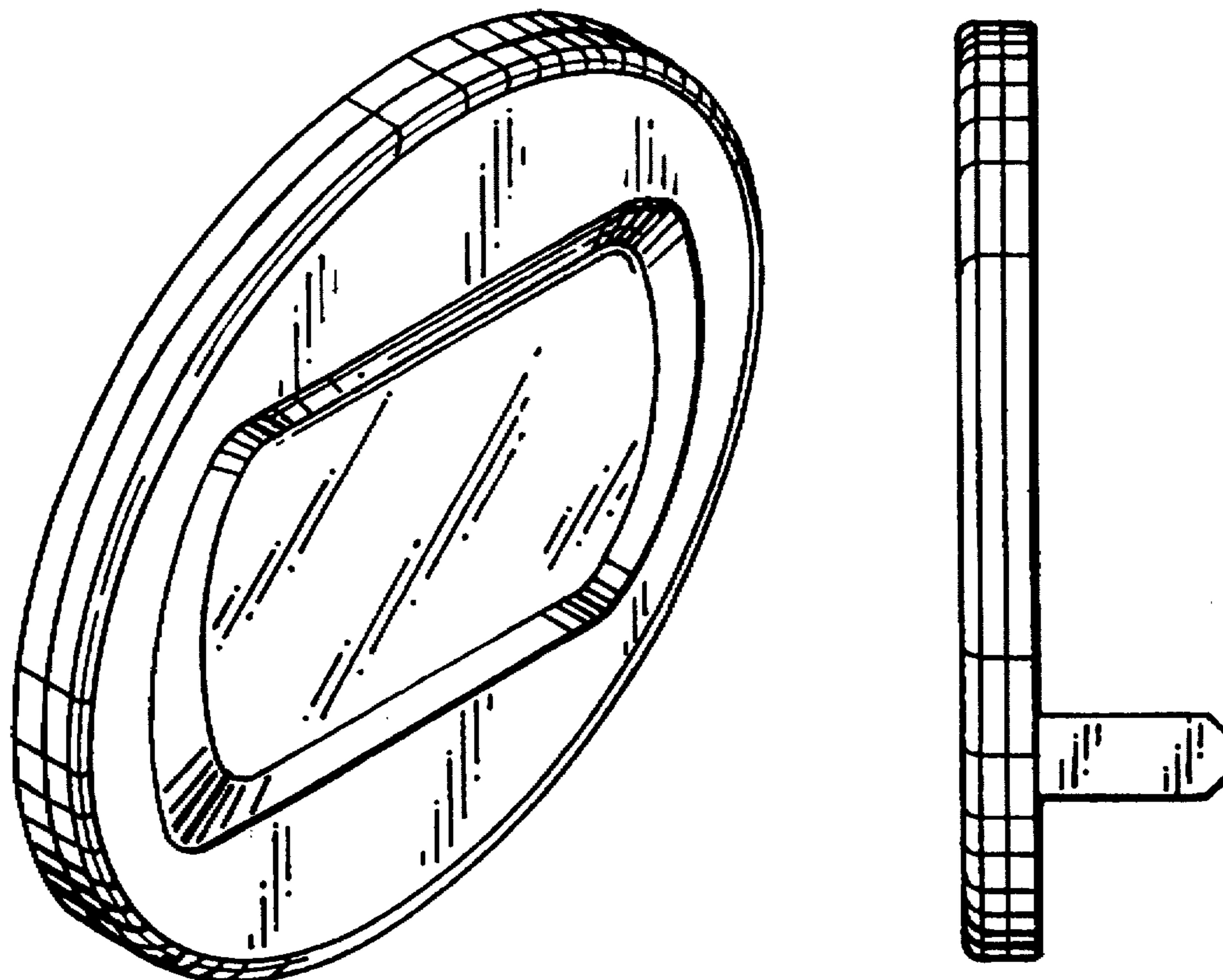


FIG.1

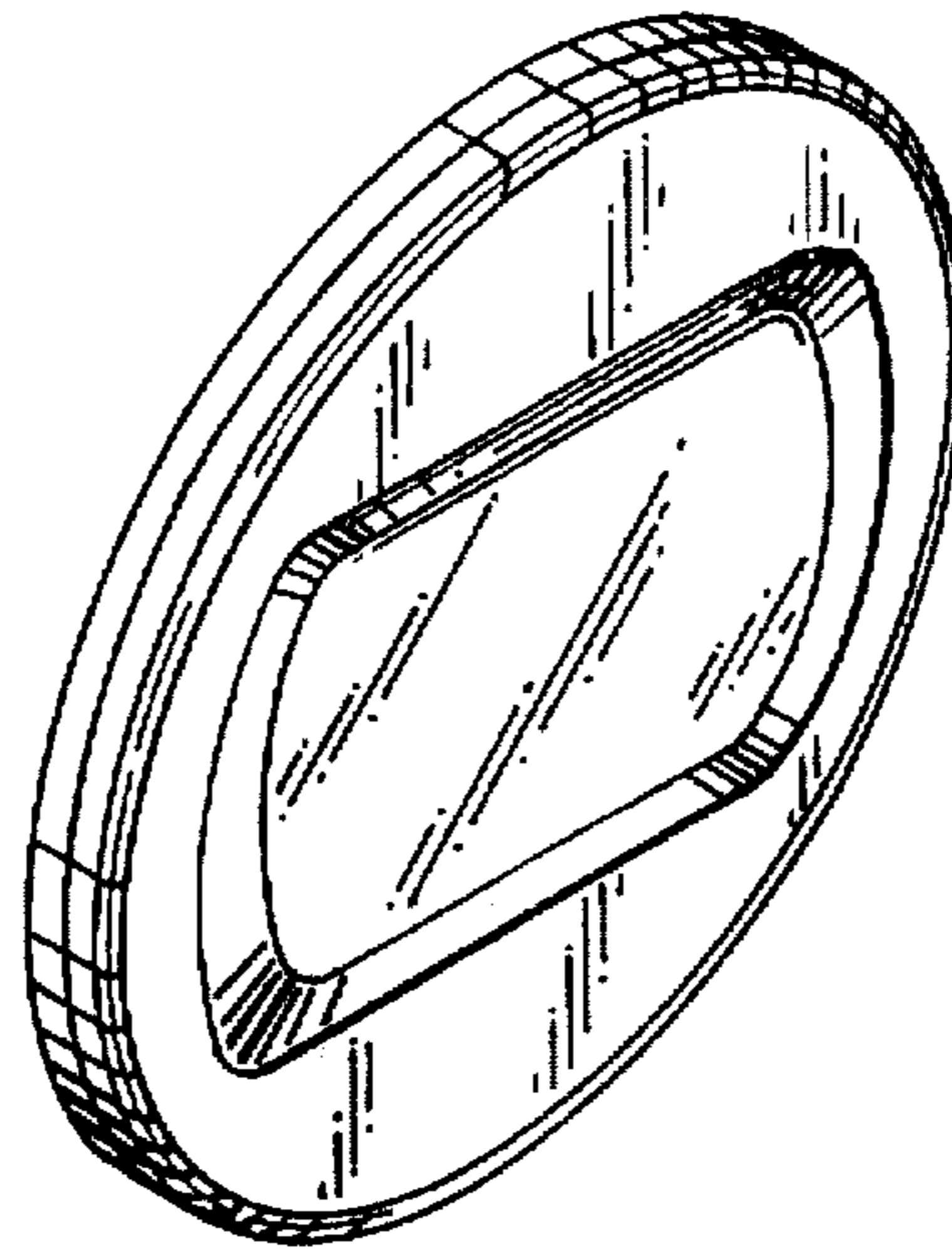


FIG.2

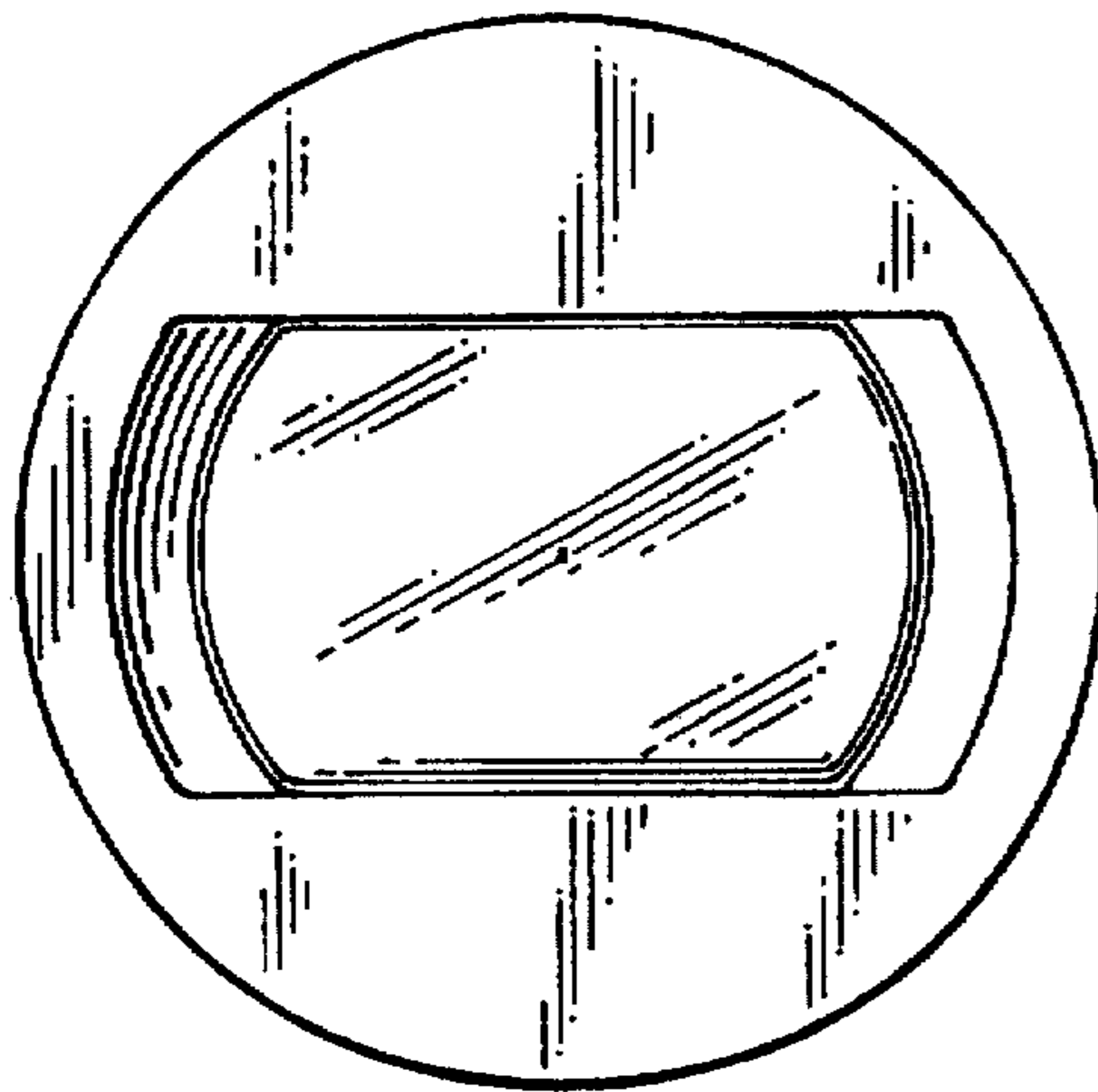


FIG.3

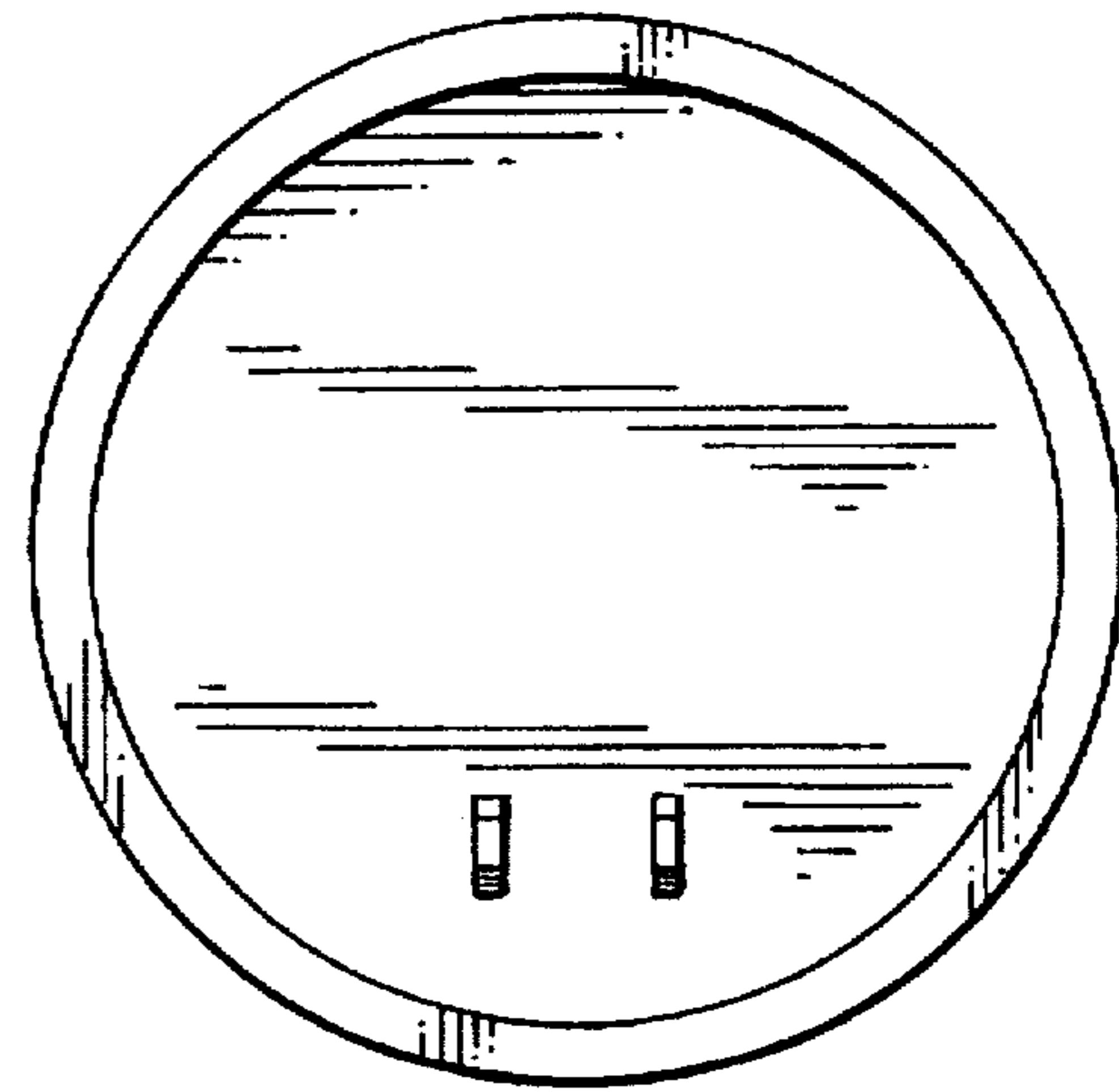


FIG.4

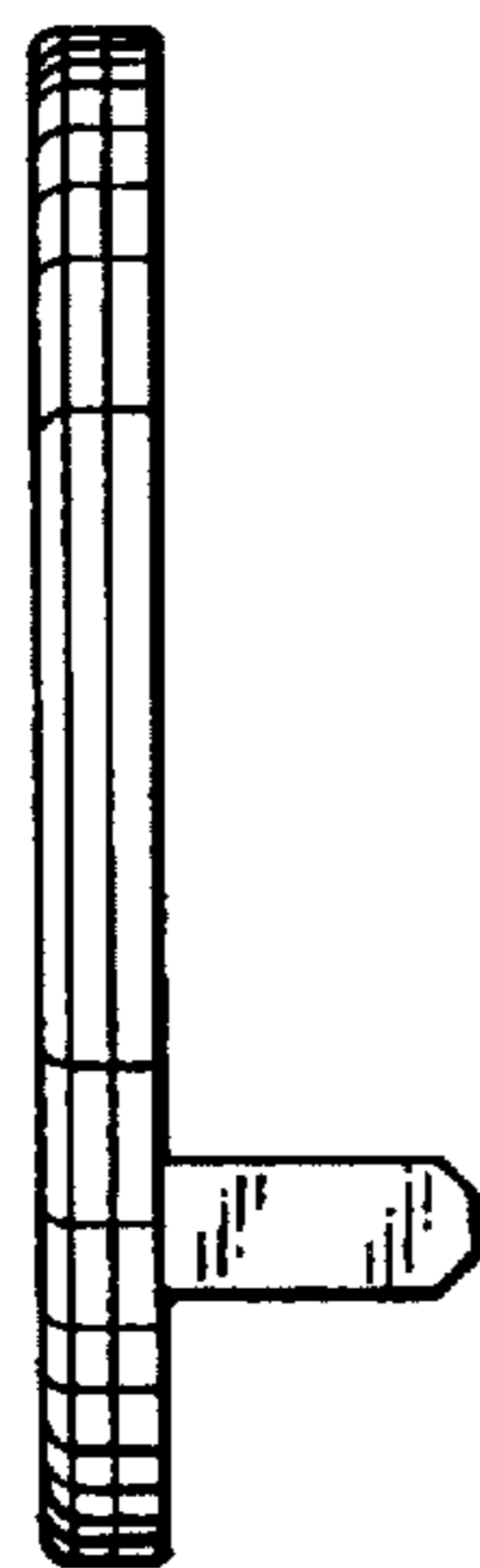


FIG.5

