



US00D392397S

United States Patent [19]

[11] Patent Number: **Des. 392,397**

Werber

[45] Date of Patent: ****Mar. 17, 1998**

[54] TELESCOPIC MAST

[76] Inventor: **Manuel M. Werber**, 41 Brookside terr,
N. Caldwell, N.J. 07006

[**] Term: **14 Years**

[21] Appl. No.: **530,725**

[22] Filed: **Jul. 6, 1990**

[51] LOC (6) Cl. **25-01**

[52] U.S. Cl. **D25/126**

[58] Field of Search D25/126-127;
248/163.1, 163.2, 172, 439, 188.5, 188.2;
52/40, 11, 118; 212/183; 116/173, DIG. 26

[56] **References Cited**

U.S. PATENT DOCUMENTS

D. 30,959	6/1899	Brooks	D25/128
1,115,588	11/1914	Scott et al.	D25/127
1,418,775	6/1922	Brown	52/118
1,572,669	2/1926	Muller	D25/126
1,901,726	3/1933	Bonnet	52/118

3,495,370	2/1970	Habro et al.	52/118
3,546,831	12/1970	Romo et al.	52/118
3,708,937	1/1973	Stern	52/118
3,775,924	12/1973	McClure, Jr.	D25/126
4,168,008	9/1979	Granryd	52/118
4,309,854	1/1982	Vendramini	52/118
4,357,785	11/1985	Eklund	52/118
4,606,525	8/1986	Lombardi	248/188.5
5,101,215	3/1992	Creaser, Jr.	52/118

Primary Examiner—Doris Clark

[57] **CLAIM**

The ornamental design for a telescopic mast, as shown and described.

DESCRIPTION

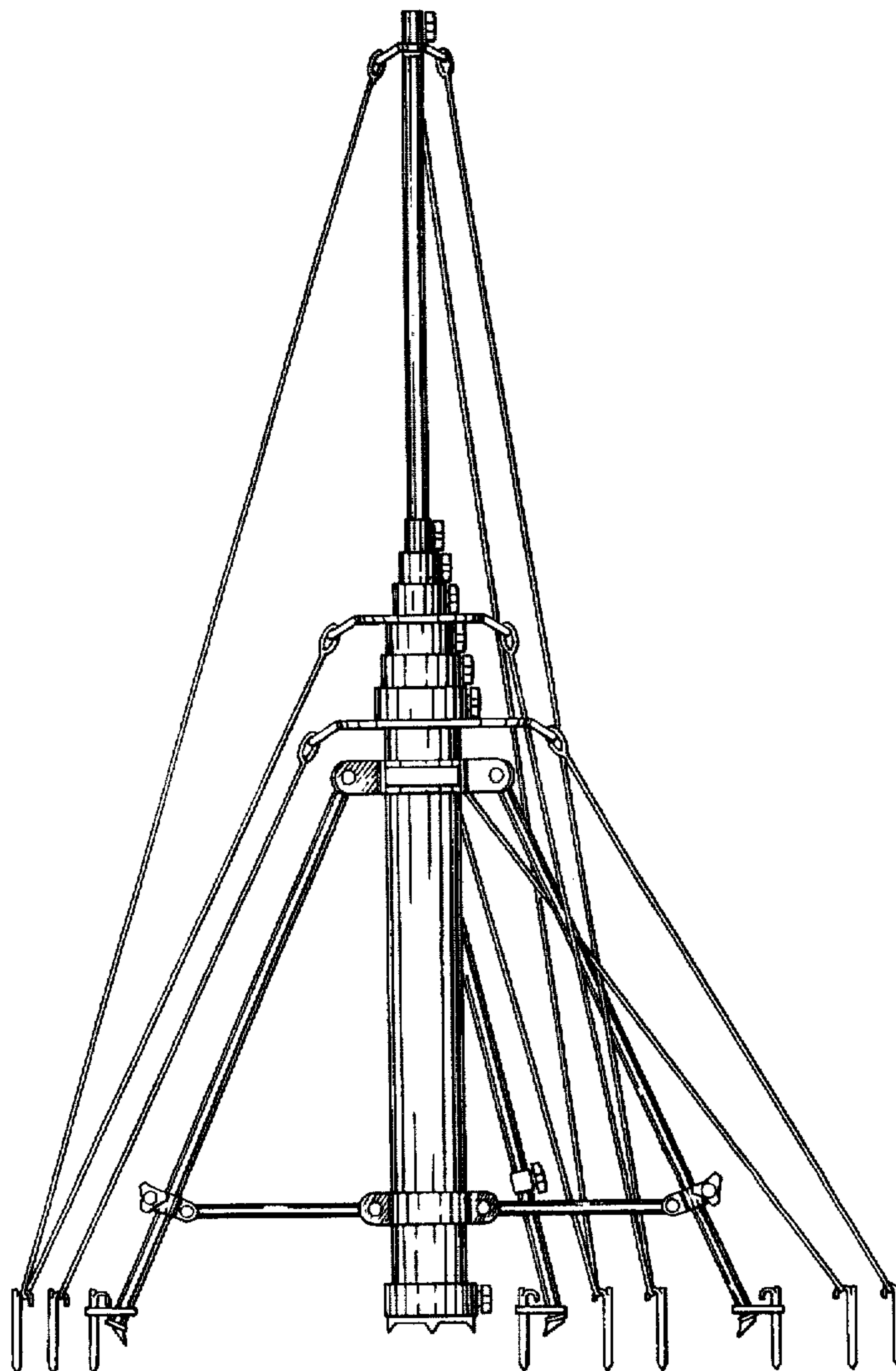
FIG. 1 is a side view of a telescopic mast showing my new design;

FIG. 2 is a top view thereof;

FIG. 3 is a bottom view thereof; and,

FIG. 4 is a perspective view thereof.

1 Claim, 4 Drawing Sheets



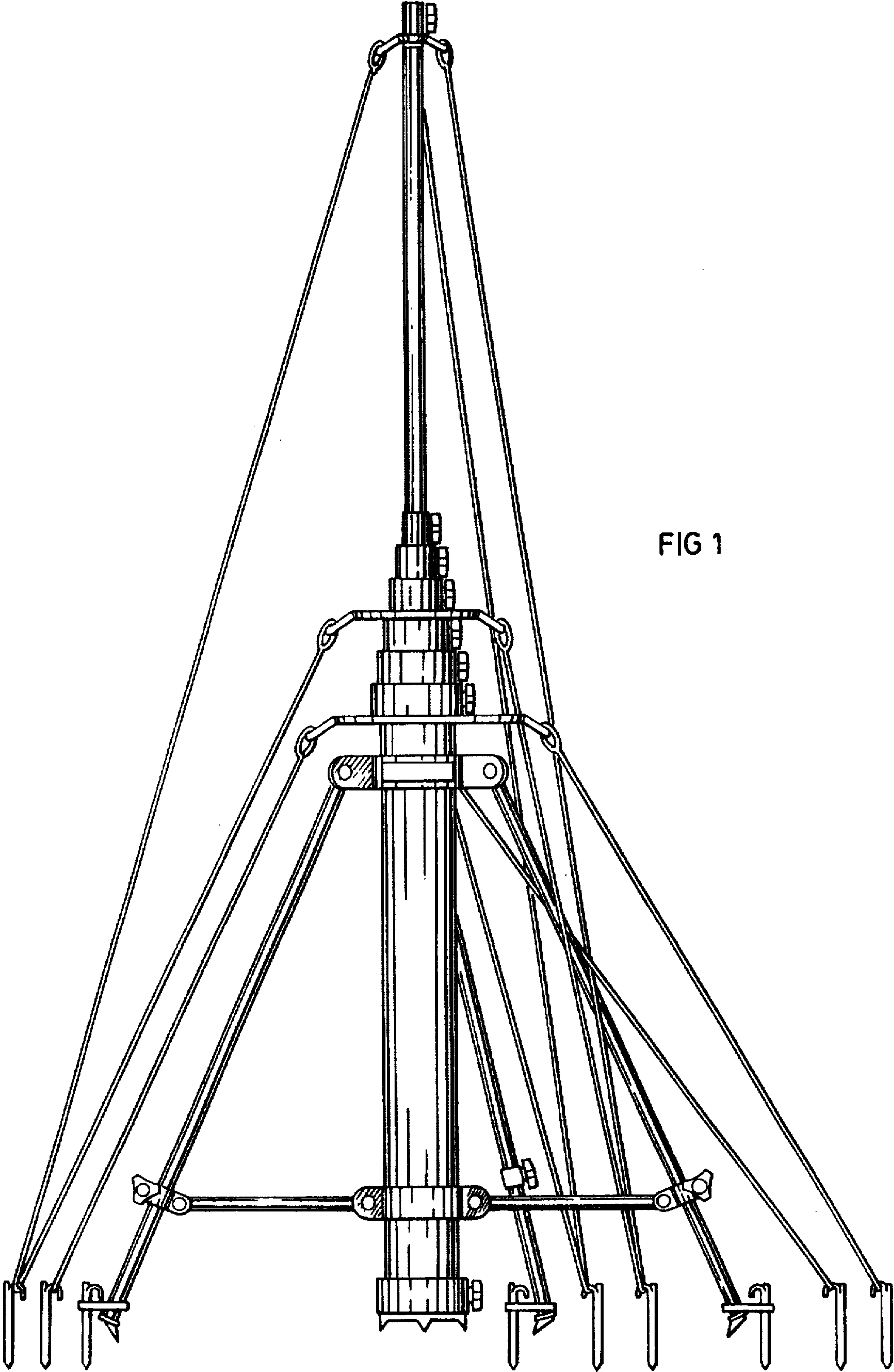


FIG 1

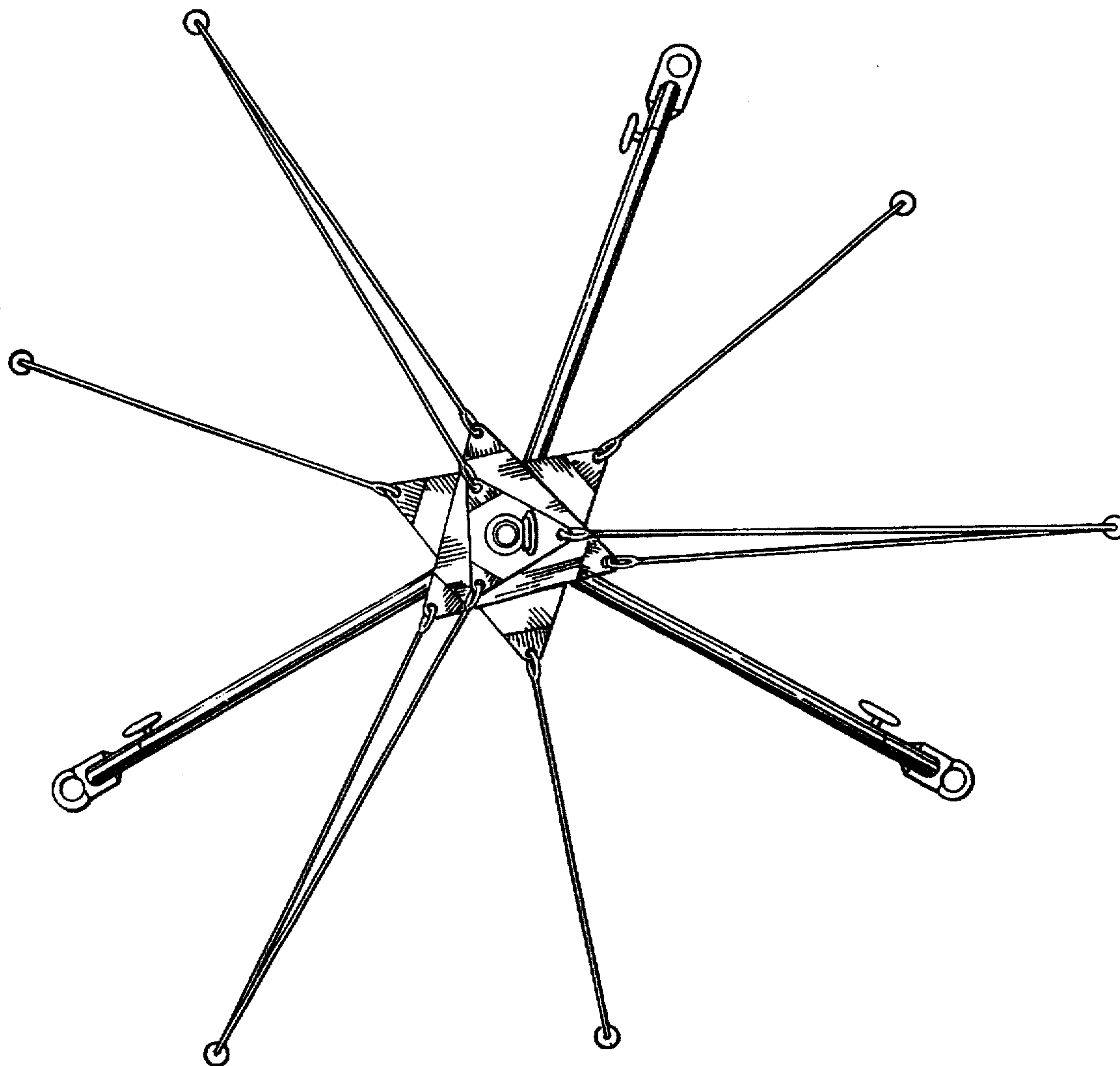


FIG 2

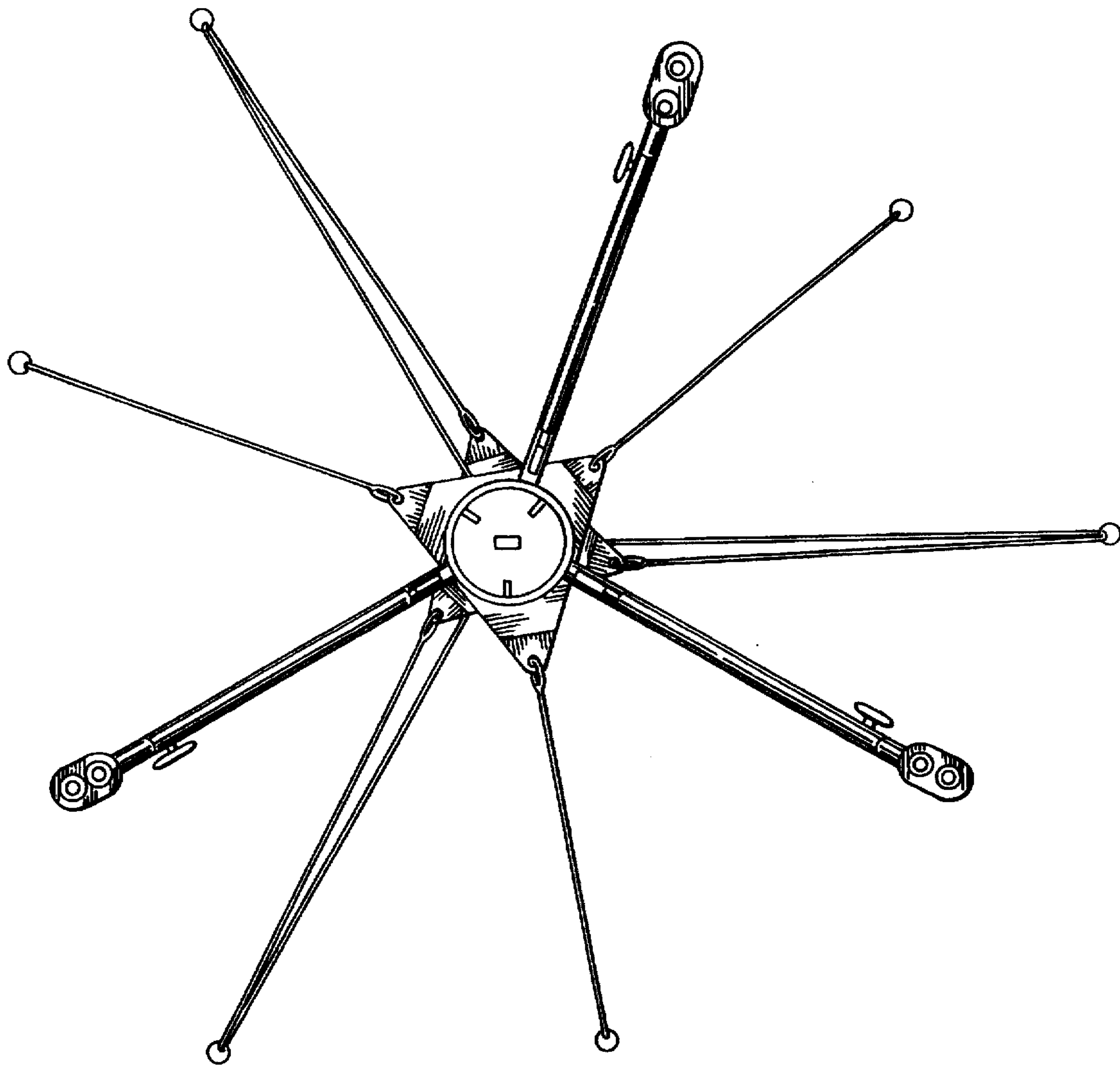


FIG. 3

FIG 4

