



US00D392395S

United States Patent [19]

Porter et al.

[11] Patent Number: **Des. 392,395**

[45] Date of Patent: ****Mar. 17, 1998**

[54] WINDOW FRAME COMPONENT

[75] Inventors: **Peggy O. Porter**, Cincinnati; **Michael T. Chaney**, Middletown, both of Ohio; **Harold Kuritzky**, Hillside, N.J.

[73] Assignee: **Dayton Technologies, Inc.**, Monroe, Ohio

[**] Term: **14 Years**

[21] Appl. No.: **62,481**

[22] Filed: **Nov. 15, 1996**

[51] LOC (6) Cl. **25-01**

[52] U.S. Cl. **D25/124**

[58] Field of Search D25/52, 60, 124;
49/DIG. 2, 504-505; 52/204.5, 204.56,
204.51, 730.3, 205.1

[56] **References Cited**

U.S. PATENT DOCUMENTS

D. 363,357 10/1995 Franson D25/124

Primary Examiner—Doris Clark

Attorney, Agent, or Firm—Jacox, Meckstroth & Jenkins

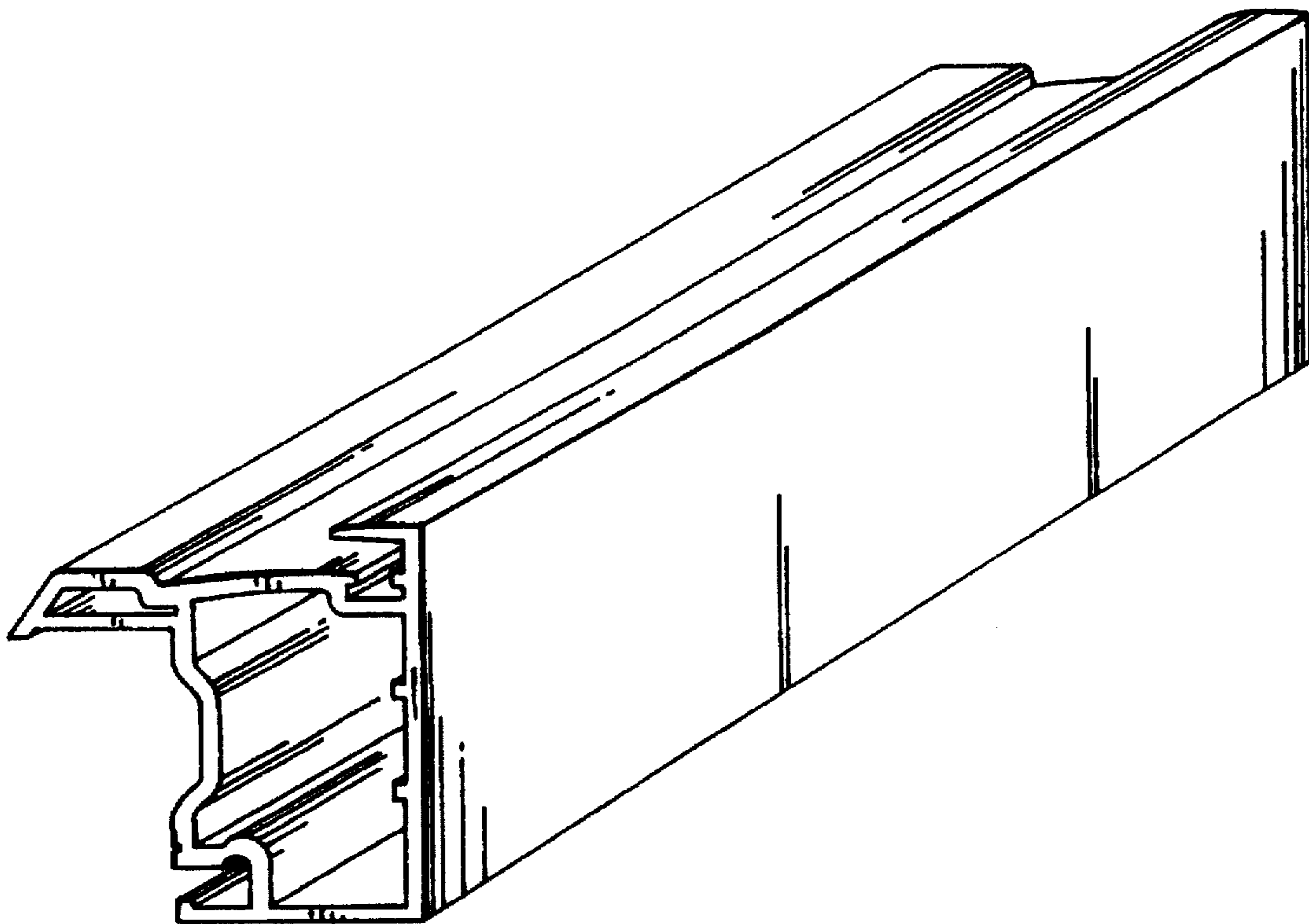
[57] **CLAIM**

The ornamental design for a window frame component, as shown and described.

DESCRIPTION

The sole FIGURE is a front perspective view of a window frame component showing our new design, the rear perspective view being a mirror image thereof.

1 Claim, 1 Drawing Sheet



THE FIGURE

