



US00D392393S

# United States Patent [19]

Hersh et al.

[11] Patent Number: **Des. 392,393**

[45] Date of Patent: **\*\*Mar. 17, 1998**

[54] **WINDOW COMPONENT EXTRUSION**

[75] Inventors: **Jeffrey B. Hersh, Wayne; Chandrahas Gandhi, Butler, both of Pa.; Jerome C. Habeck, Holt, Mich.**

[73] Assignee: **CertainTeed Corporation, Valley Forge, Pa.**

[\*\*] Term: **14 Years**

[21] Appl. No.: **63,501**

[22] Filed: **Dec. 9, 1996**

[51] LOC (6) Cl. .... **25-01**

[52] U.S. Cl. .... **D25/122**

[58] Field of Search ..... D25/122, 124,  
D25/60; 52/202, 203, 204; 49/DIG. 2, 501,  
504

[56]

**References Cited**

**U.S. PATENT DOCUMENTS**

D. 357,078 4/1995 Hosseini ..... D25/122  
D. 360,040 7/1995 Cole ..... D25/124

*Primary Examiner*—Doris Clark

*Attorney, Agent, or Firm*—Duane, Morris & Heckscher LLP

[57]

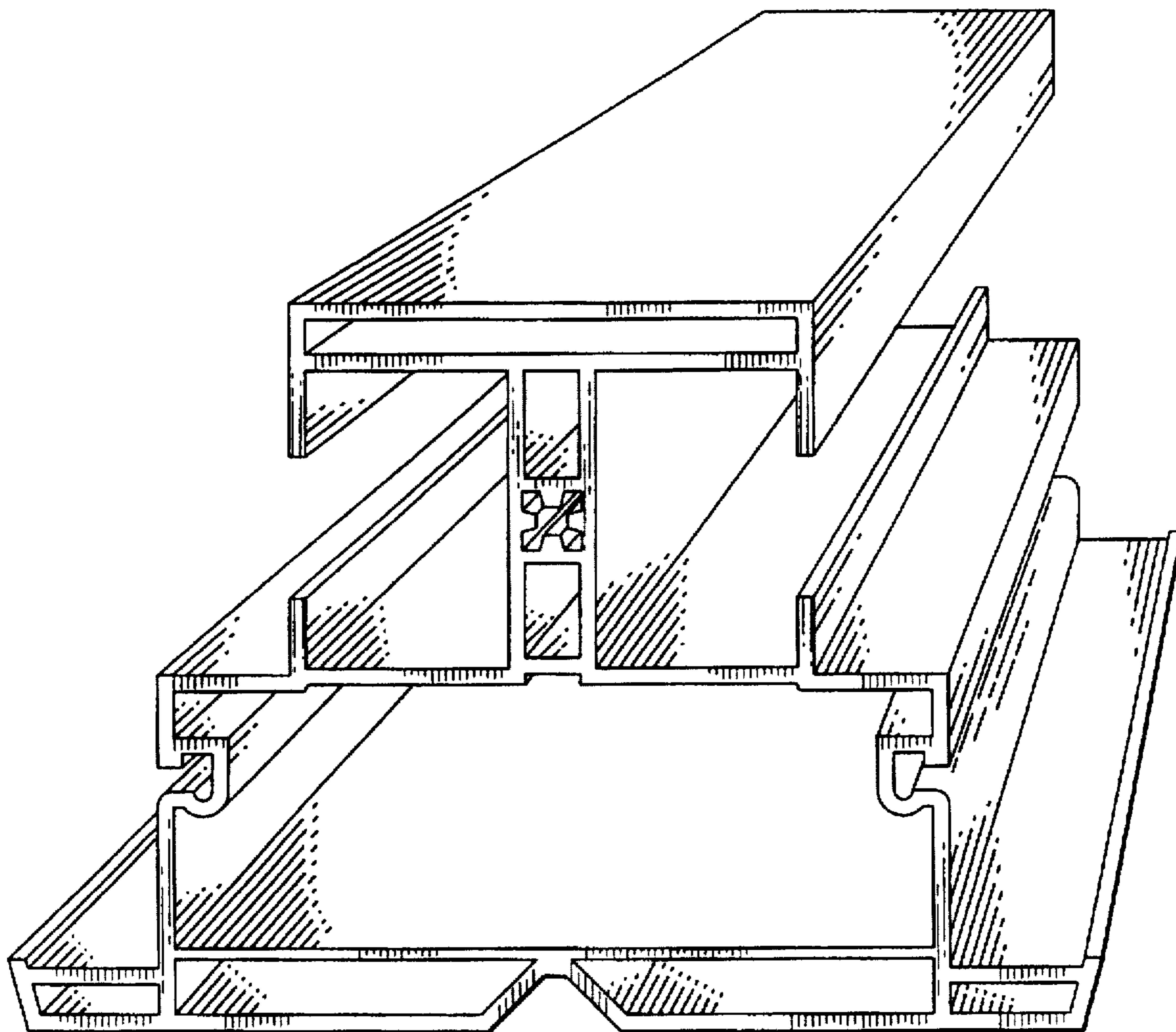
**CLAIM**

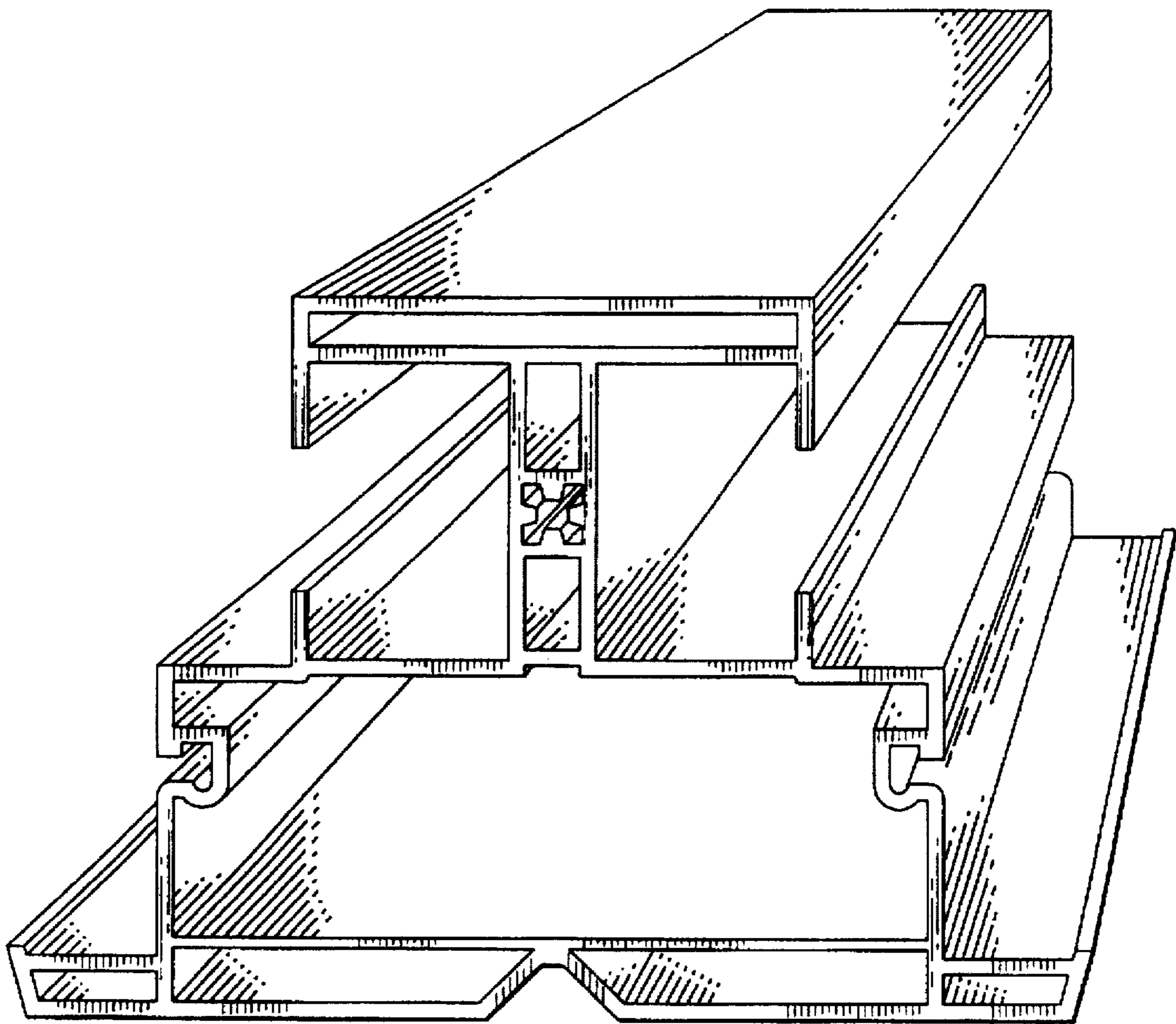
The ornamental design for a window component extrusion, as shown and described.

**DESCRIPTION**

The FIGURE is a front perspective view of a window component extrusion showing our new design, the rear perspective view being a mirror image thereof.

**1 Claim, 1 Drawing Sheet**





*THE FIGURE*