



US00D392388S

United States Patent [19]

Coons et al.

[11] Patent Number: Des. 392,388

[45] Date of Patent: **Mar. 17, 1998

[54] ELECTRONICALLY CONTROLLED CONTRAST MEDIA INJECTOR FOR MEDICAL DIAGNOSTIC IMAGING

5,322,511	6/1994	Armbruster et al.	604/155
5,383,858	1/1995	Reilly et al.	604/152
5,573,515	11/1996	Wilson et al.	604/236

OTHER PUBLICATIONS

Medrad, Inc., *Medrad Mark V System*, Medrad Sales Brochure, Aug. 1988.
 Medrad, Inc., *Medrad MCT Plus Front Load Injection System*, Medrad, Inc. Sales Brochure, No Date.
 Liebel-Flarsheim, *Angoimat 6000 Injection System*, Liebel-Flarsheim Sales Brochure, 1987.
 Siemens Aktiengesellschaft, *SIMTRAC C*, Siemens Aktiengesellschaft Sales Brochure, No Date.
 Liebel-Flarsheim, *Angimat CT-Digital Injection System for Enhanced CT Scans*, Liebel-Flarsheim Sales Brochure, 1988.
 E-Z-EM, *Simple the Best Value in Low-Pressure CT Injection Systems, Percupump 1A*, Therapex, Division of E-Z-EM Canada, Inc., Sales Brochure, 1990.

Primary Examiner—Stella Reid
 Attorney, Agent, or Firm—Wood, Herron & Evans, L.L.P.

[75] Inventors: John C. Coons, Cincinnati; Robert G. Bergen, Westchester, both of Ohio

[73] Assignee: Liebel-Flarsheim Company, Cincinnati, Ohio

[**] Term: 14 Years

[21] Appl. No.: 63,096

[22] Filed: Nov. 26, 1996

[51] LOC (6) Cl. 24-01

[52] U.S. Cl. D24/160

[58] Field of Search D24/160, 158; 128/662.02, 654, 655, 747, DIG. 1; 604/49, 67, 154, 152, 236, 247

[56] References Cited

U.S. PATENT DOCUMENTS

3,631,847	1/1972	Hobbs, II	128/2 R
3,812,843	5/1974	Wooten et al.	128/655
3,880,138	4/1975	Wooten et al.	128/2 A
3,993,065	11/1976	Szabo et al.	128/218 A
4,006,736	2/1977	Kranys et al.	128/2 A
4,405,318	9/1983	Whitney et al.	604/155
4,424,720	1/1984	Bucchianeri	74/89.15
4,465,473	8/1984	Rüegg	604/154
4,650,462	3/1987	Langer et al.	604/65
4,677,980	7/1987	Reilly et al.	128/655
4,695,271	9/1987	Goethel	604/49
4,812,724	3/1989	Langer et al.	318/599
4,854,324	8/1989	Hirschman et al.	128/655
5,249,579	10/1993	Hobbs et al.	128/662.02
5,269,762	12/1993	Armbruster et al.	604/155
5,279,569	1/1994	Neer et al.	604/154

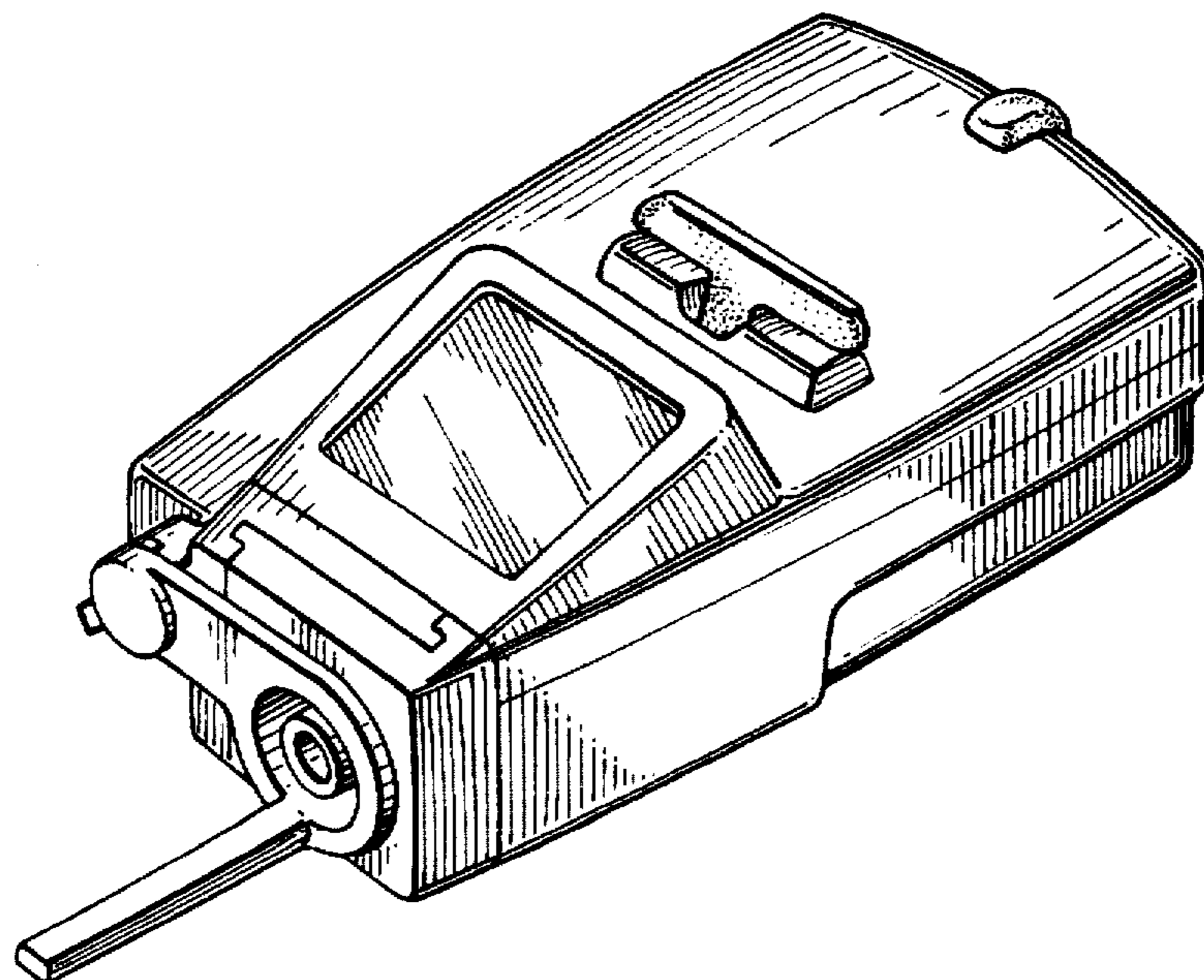
[57] CLAIM

The ornamental design for an electronically controlled contrast media injector for medical diagnostic imaging, as shown and described.

DESCRIPTION

FIG. 1 is a perspective view of the design;
 FIG. 2 is a front view;
 FIG. 3 is a left side view;
 FIG. 4 is a right side view;
 FIG. 5 is a rear view;
 FIG. 6 is a top view; and,
 FIG. 7 is a bottom view.

1 Claim, 2 Drawing Sheets



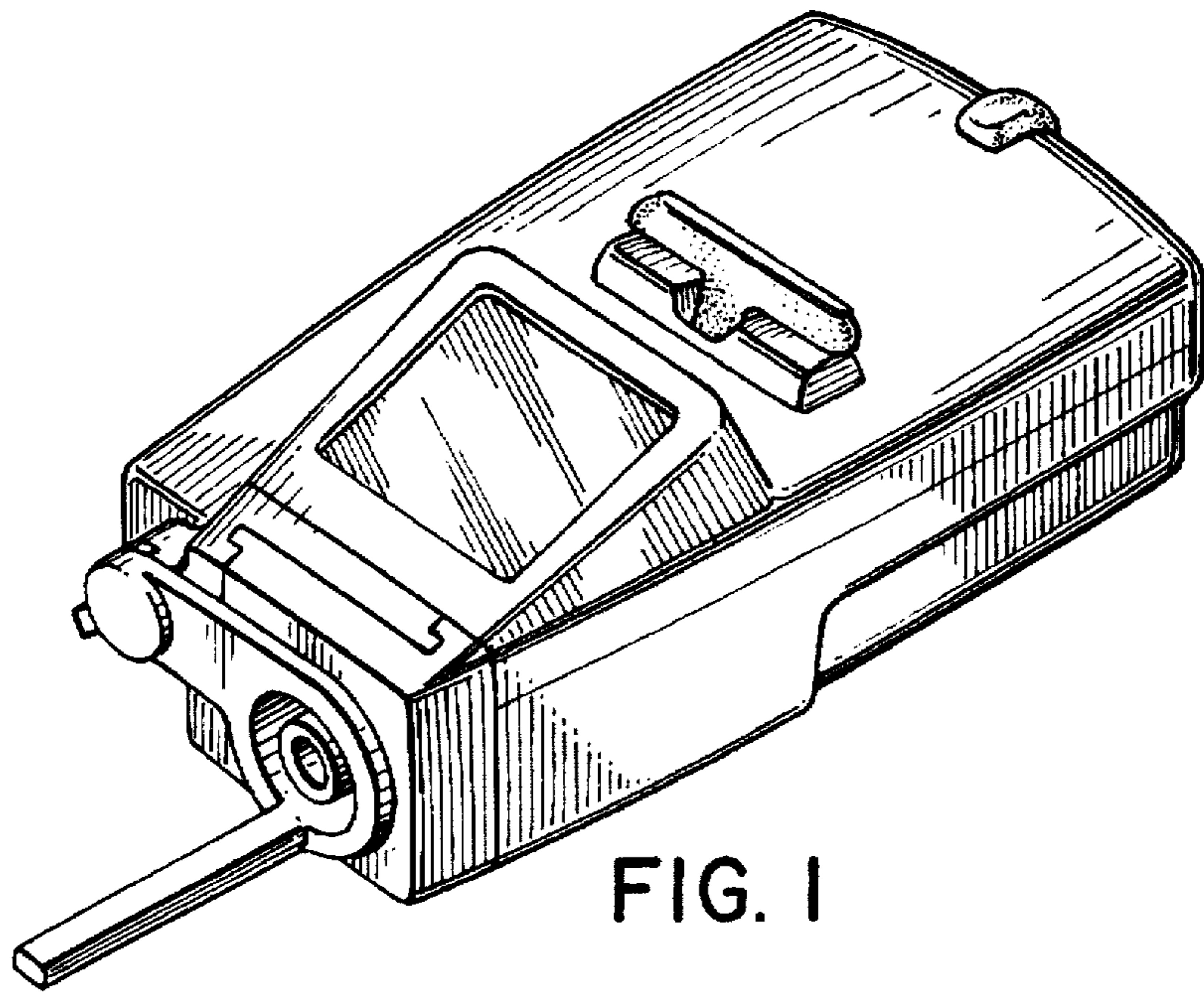


FIG. 1

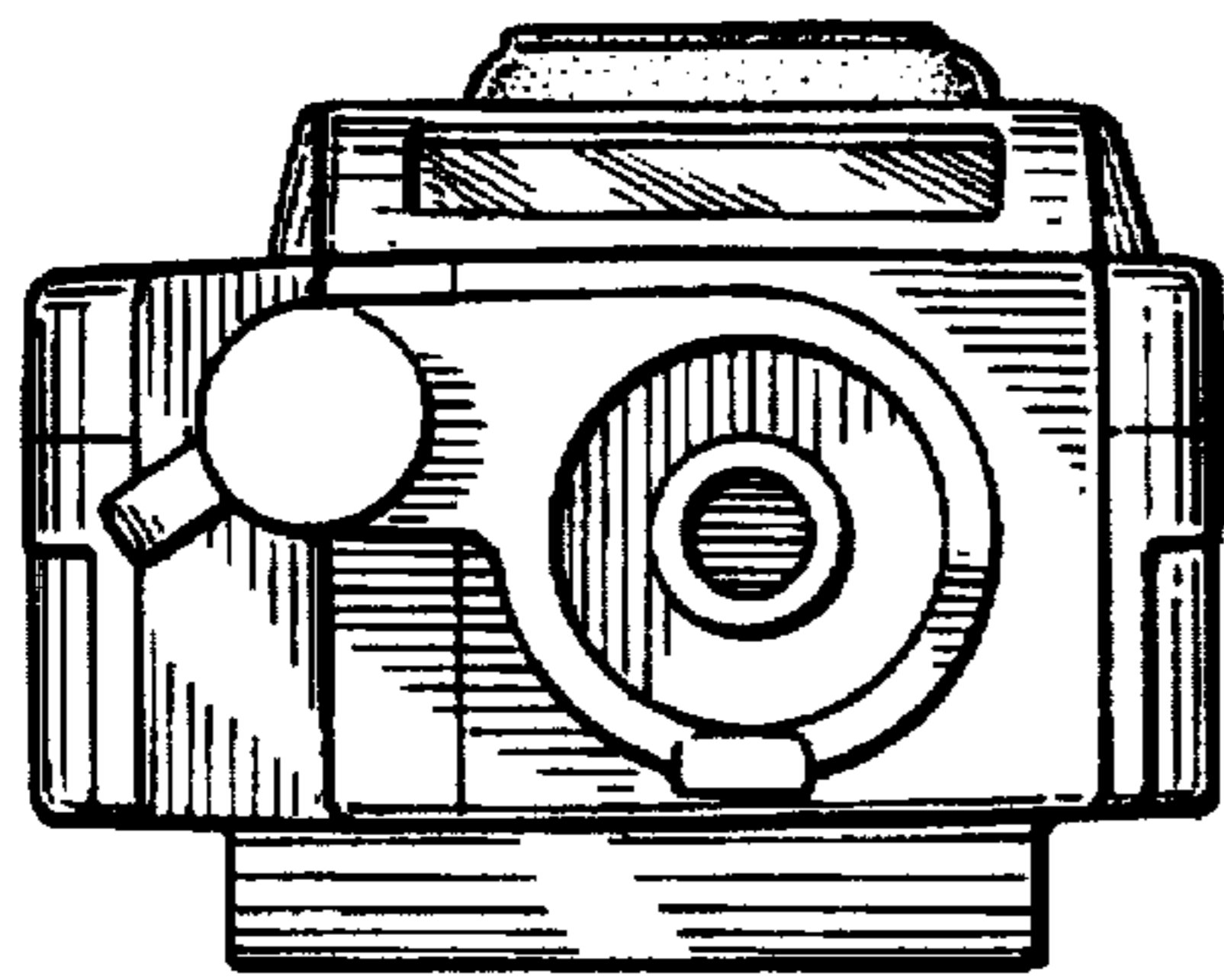


FIG. 2

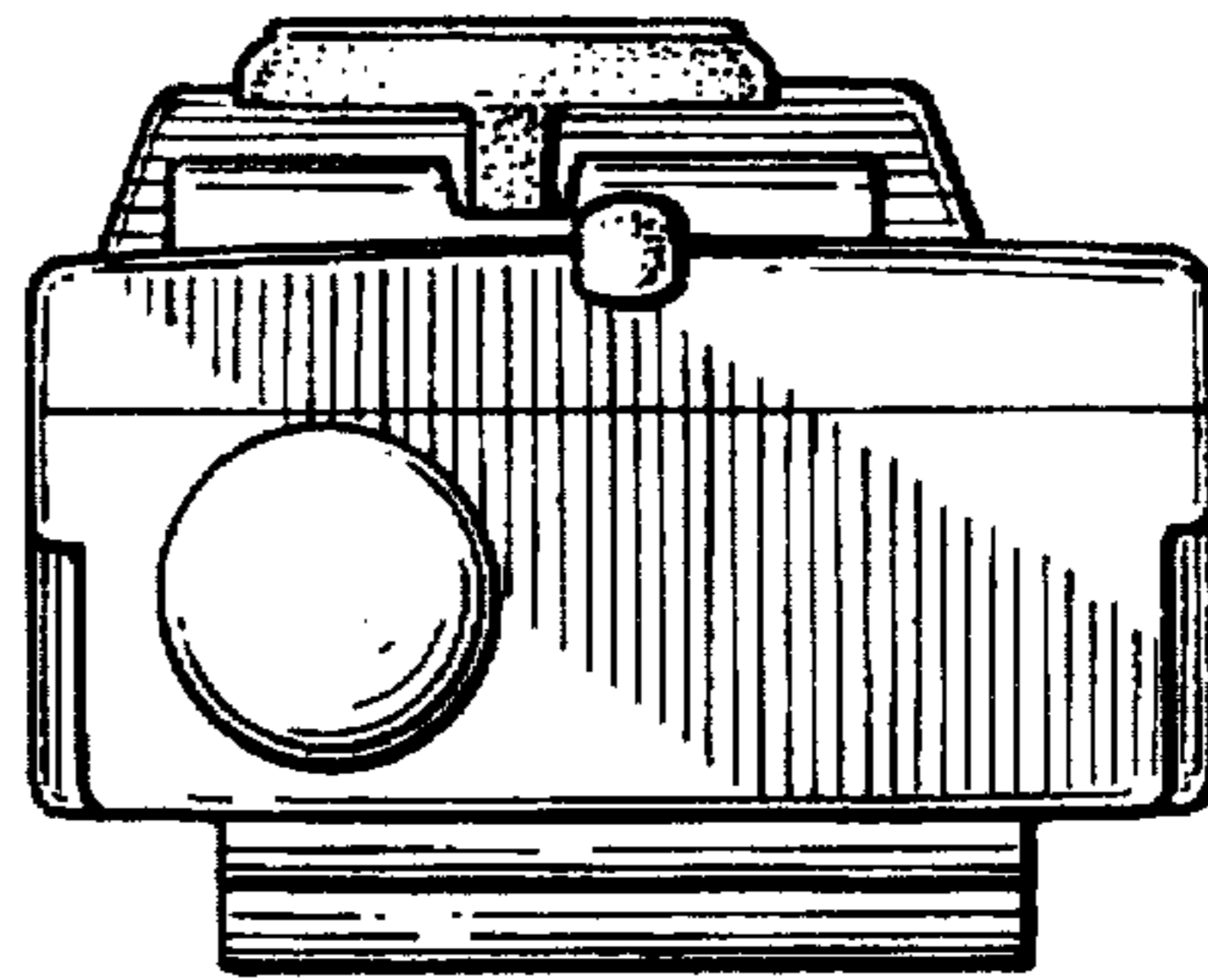


FIG. 5

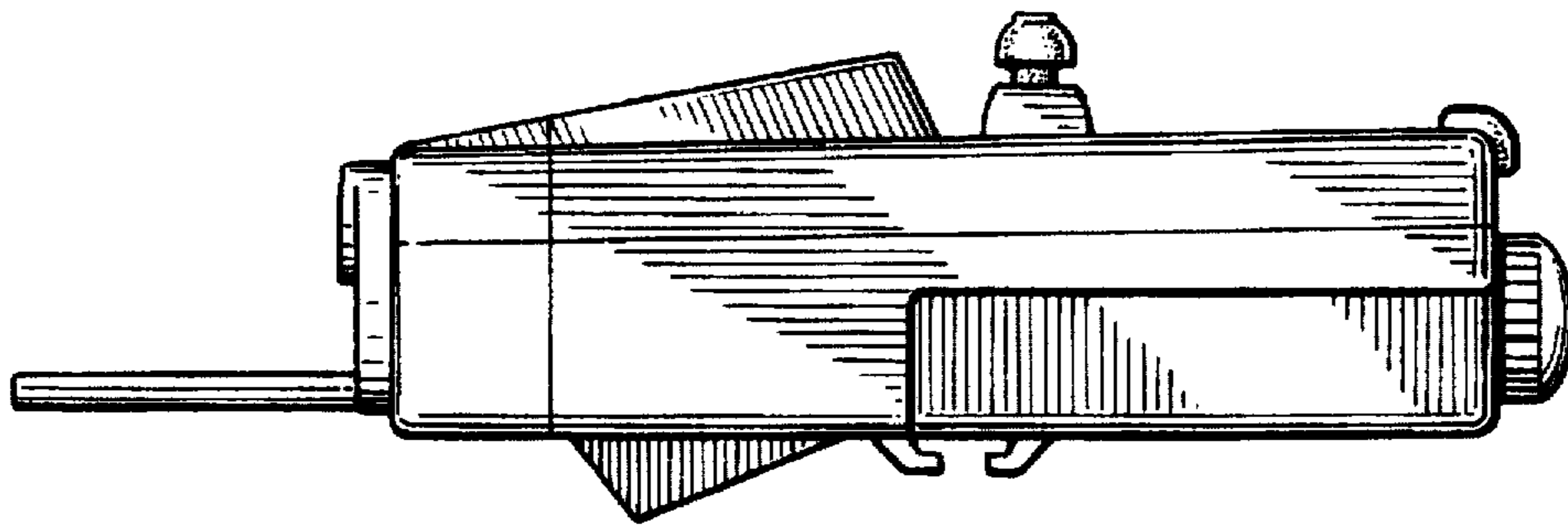


FIG. 3

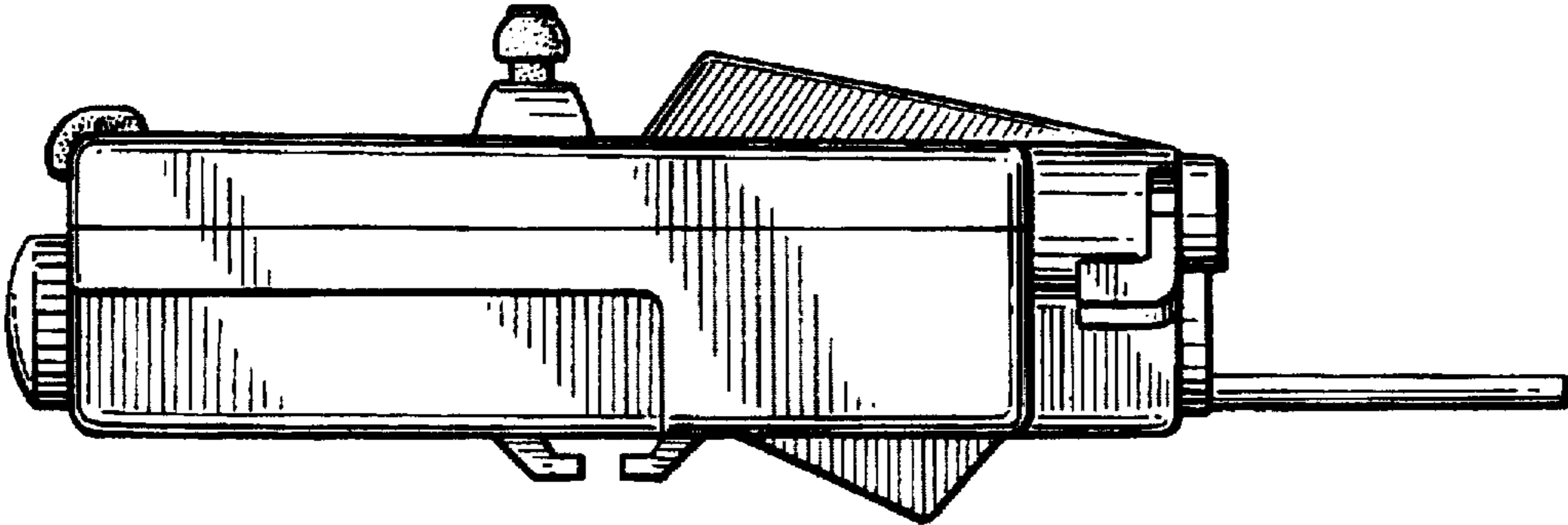


FIG. 4

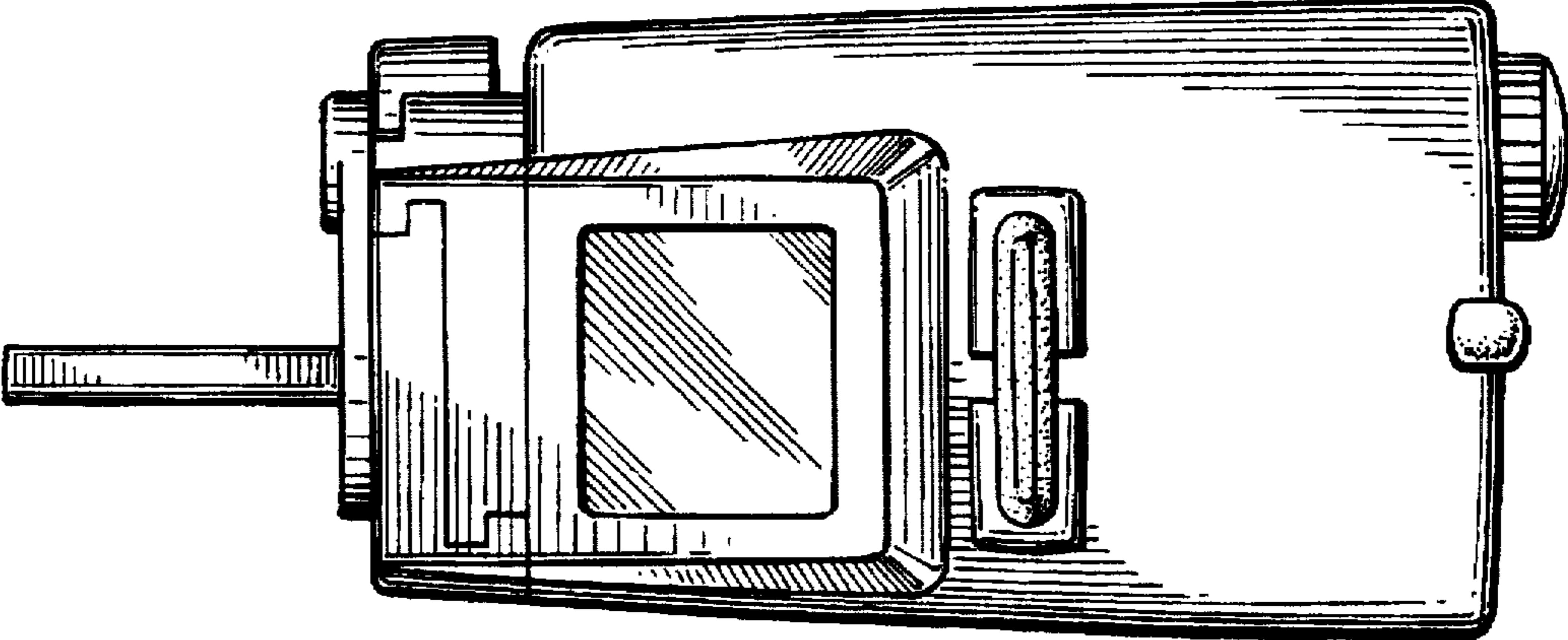


FIG. 6

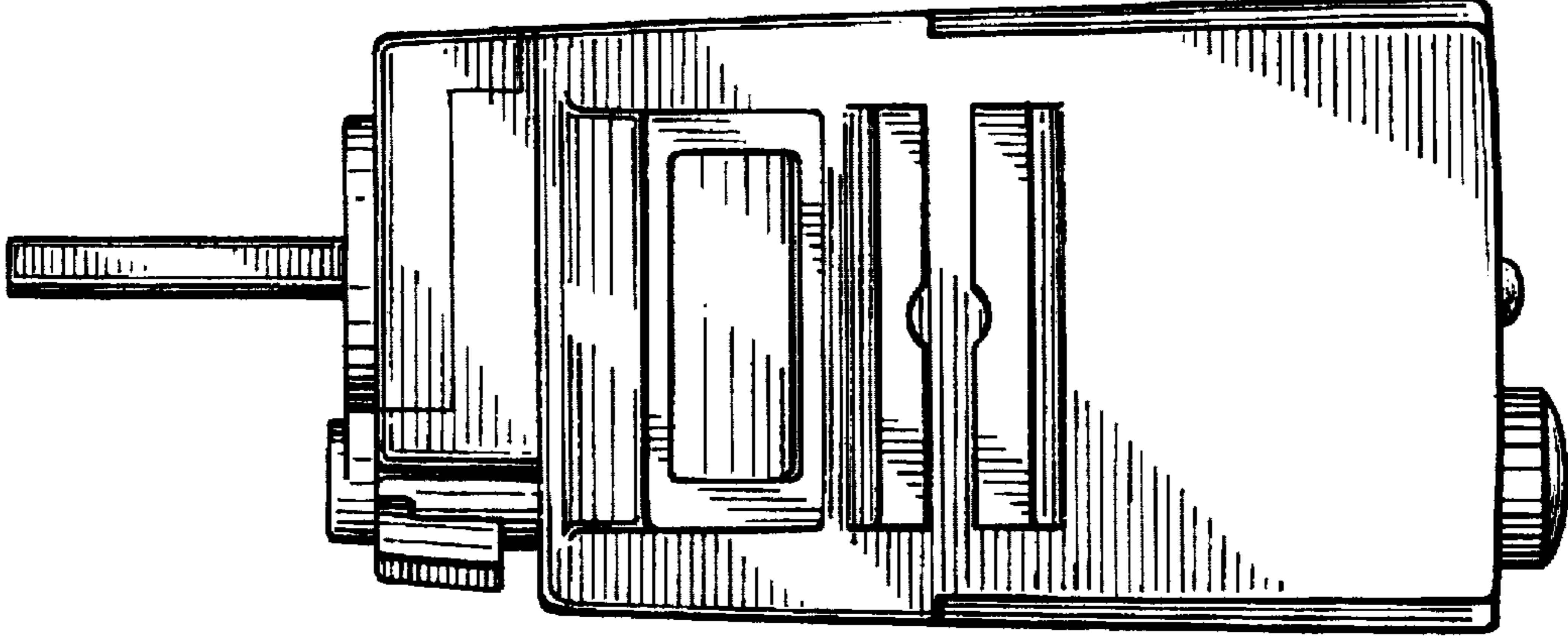


FIG. 7