

US00D392383S

United States Patent [19]

Phillips et al.

[11] Patent Number: Des. 392,383

[45] Date of Patent: **Mar. 17, 1998

[54] FAN

[75] Inventors: **Stephen Phillips**, Newton; **Brian Flood**, Sudbury, both of Mass.

[73] Assignees: **Phillips Design Group; Brian Flood, Inc.**, both of Boston, Mass.

[**] Term: **14 Years**

[21] Appl. No.: **70,564**

[22] Filed: **May 9, 1997**

[51] LOC (6) CL. **23-04**

[52] U.S. Cl. **D23/378; D23/379**

[58] Field of Search **D23/378, 379, D23/328, 332; D11/117, 143; 428/24; 416/146 R, 246, 247**

[56] References Cited

U.S. PATENT DOCUMENTS

D. 283,156 3/1986 Mandelli et al. D23/379

Primary Examiner—Lisa Lichtenstein
Attorney, Agent, or Firm—Hoffmann & Baron, LLP

[57] CLAIM

The ornamental design for a fan, as shown.

DESCRIPTION

FIG. 1 is a front perspective view of a fan;
FIG. 2 is a front elevation view thereof;
FIG. 3 is a top plan view thereof;
FIG. 4 is a bottom plan view thereof;
FIG. 5 is a left side elevational view thereof;
FIG. 6 is a right side elevational view thereof; and,
FIG. 7 is a rear elevational view thereof.

1 Claim, 6 Drawing Sheets

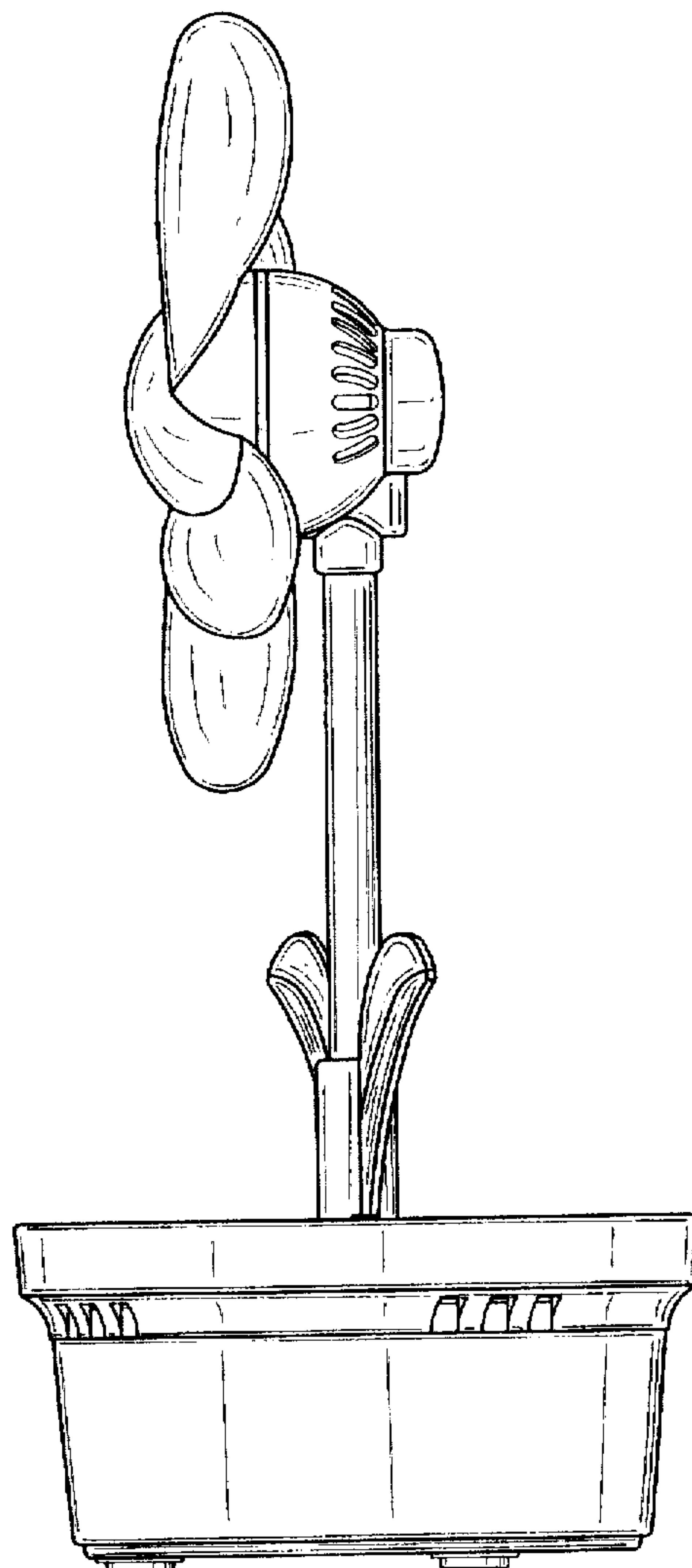
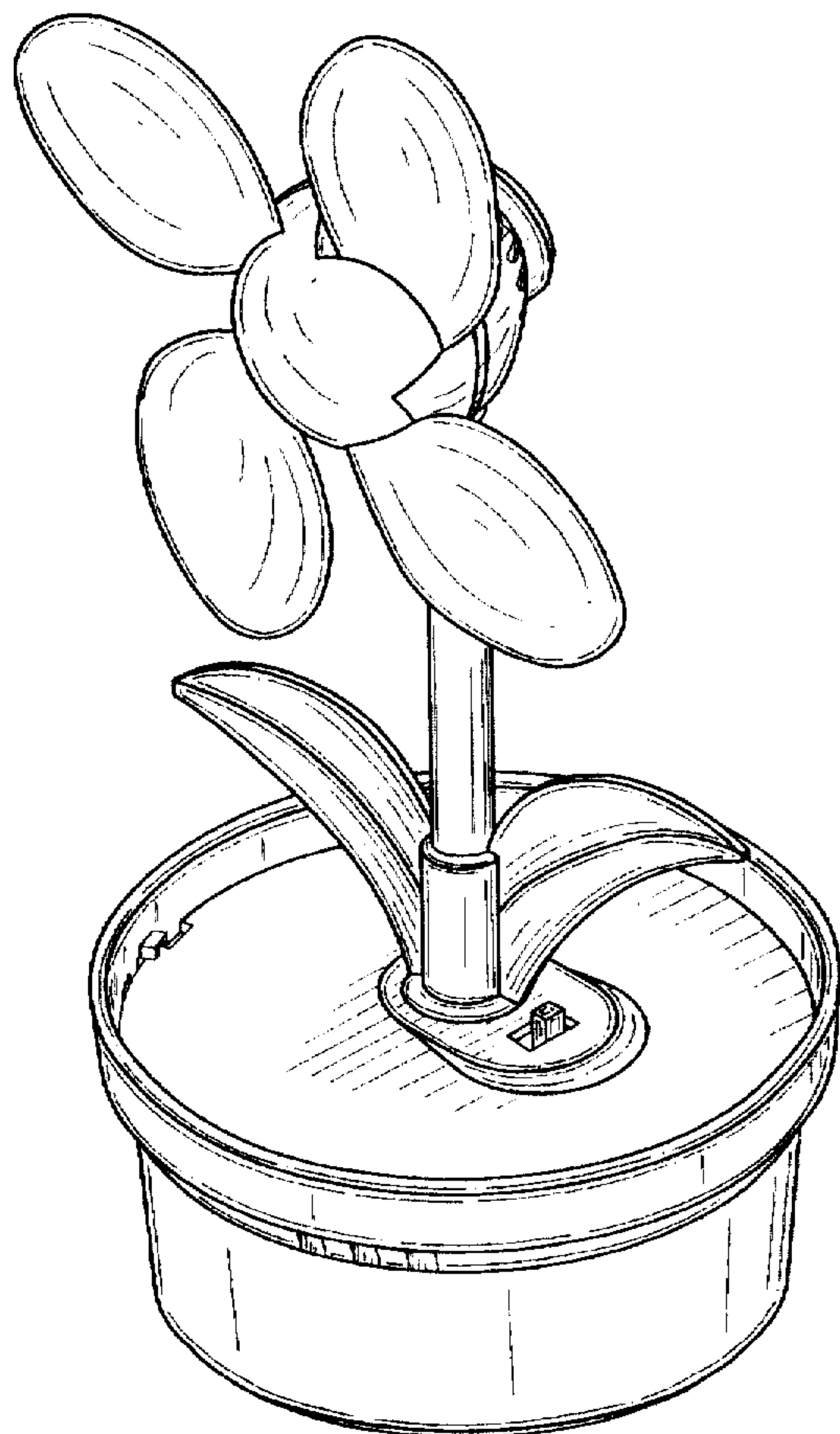


FIG-1

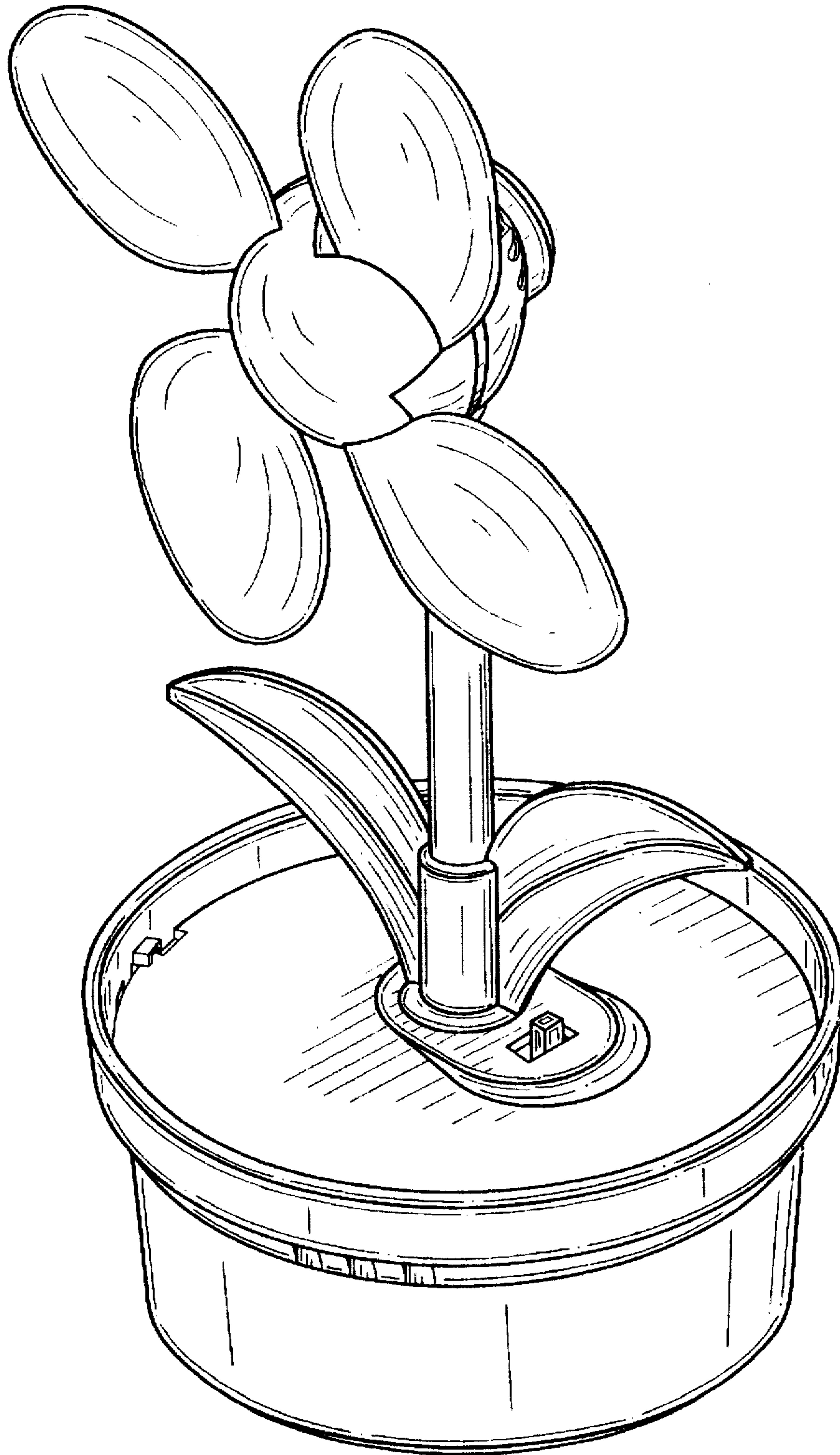


FIG-2

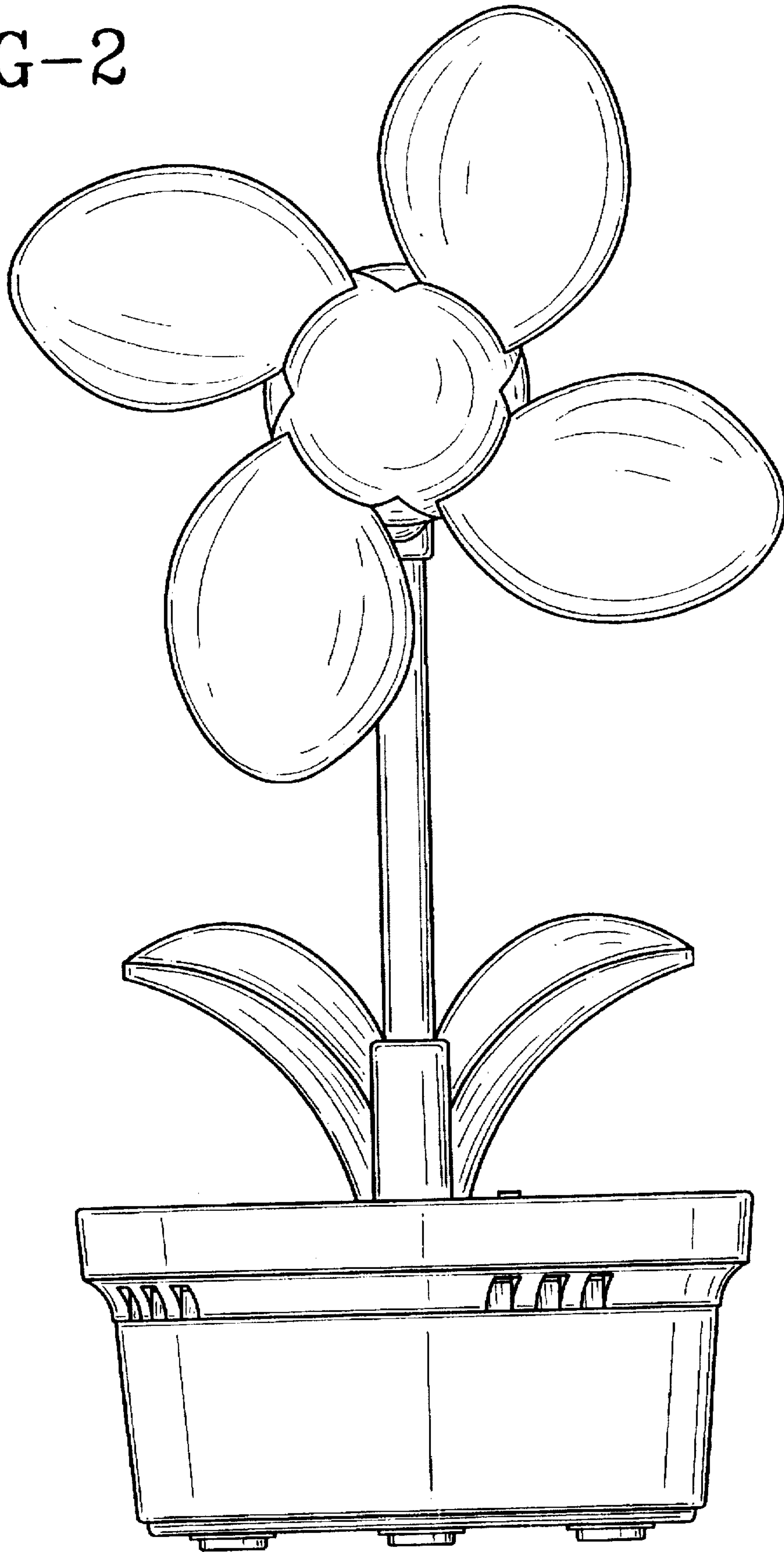


FIG-3

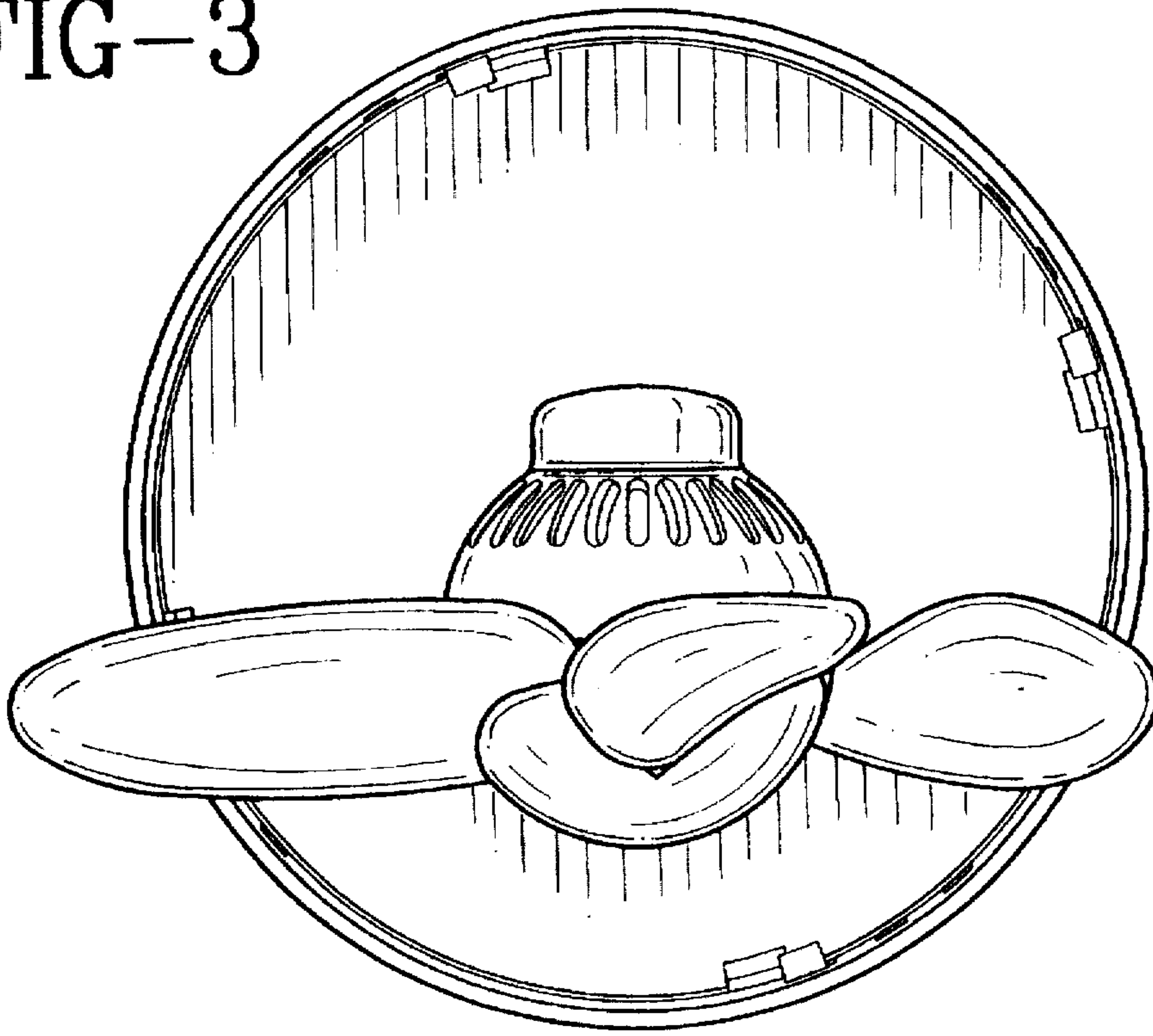


FIG-4

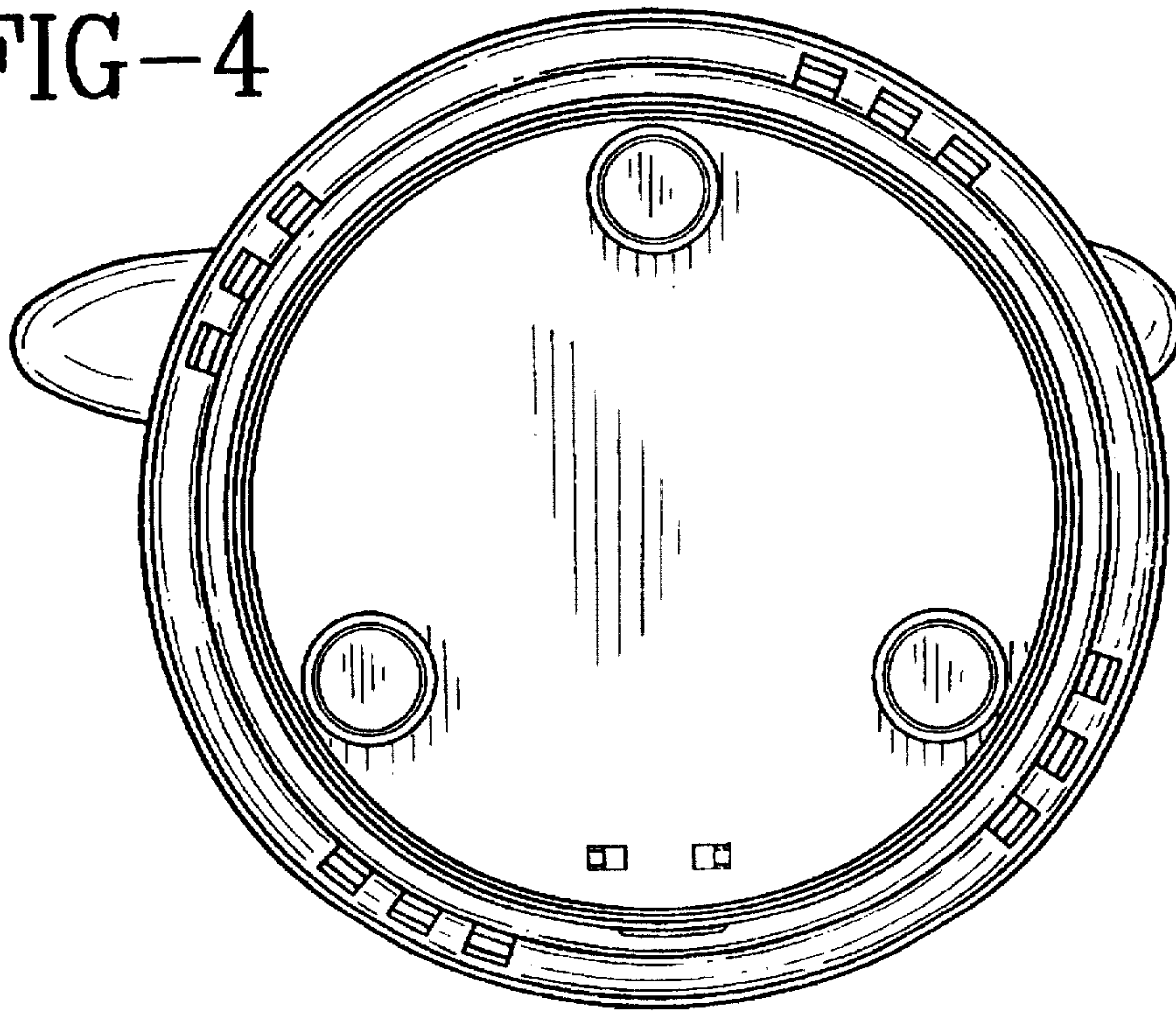


FIG-5

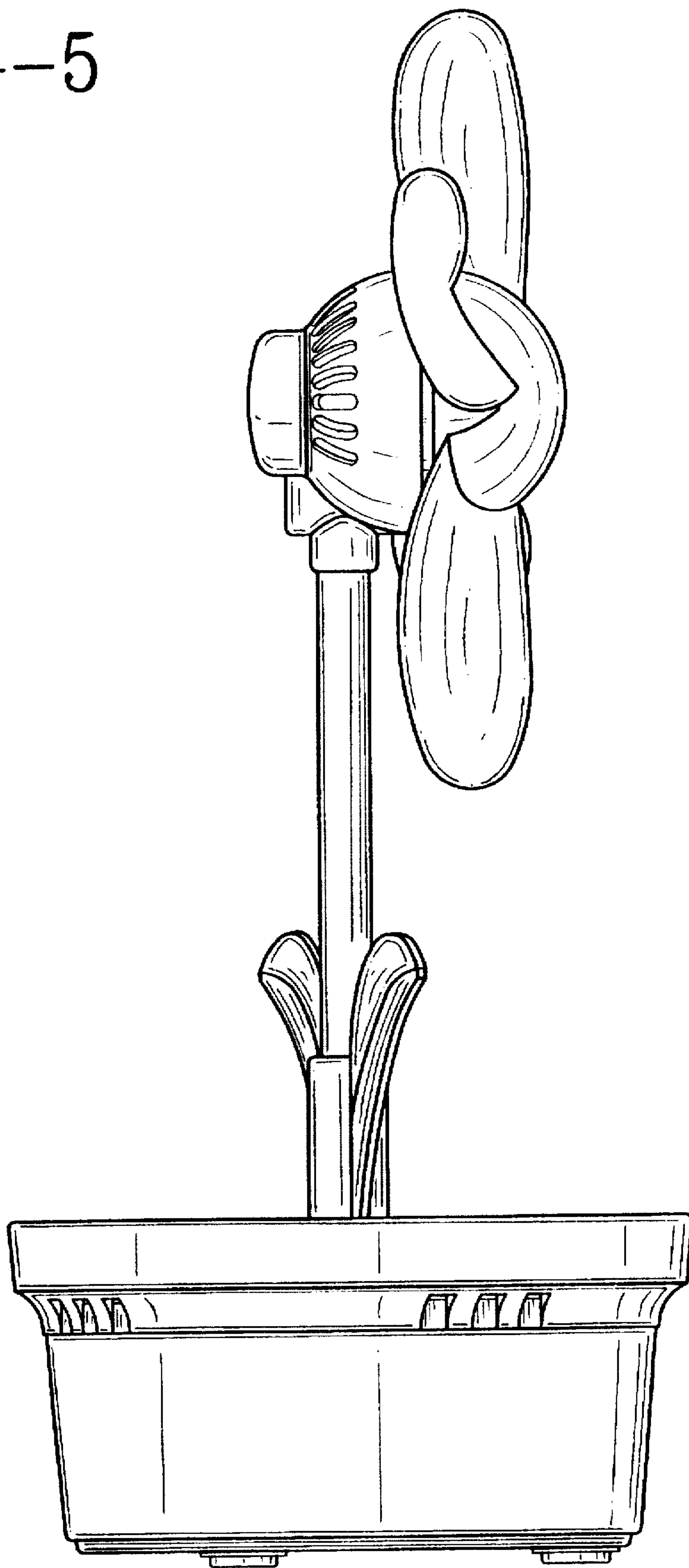


FIG-6

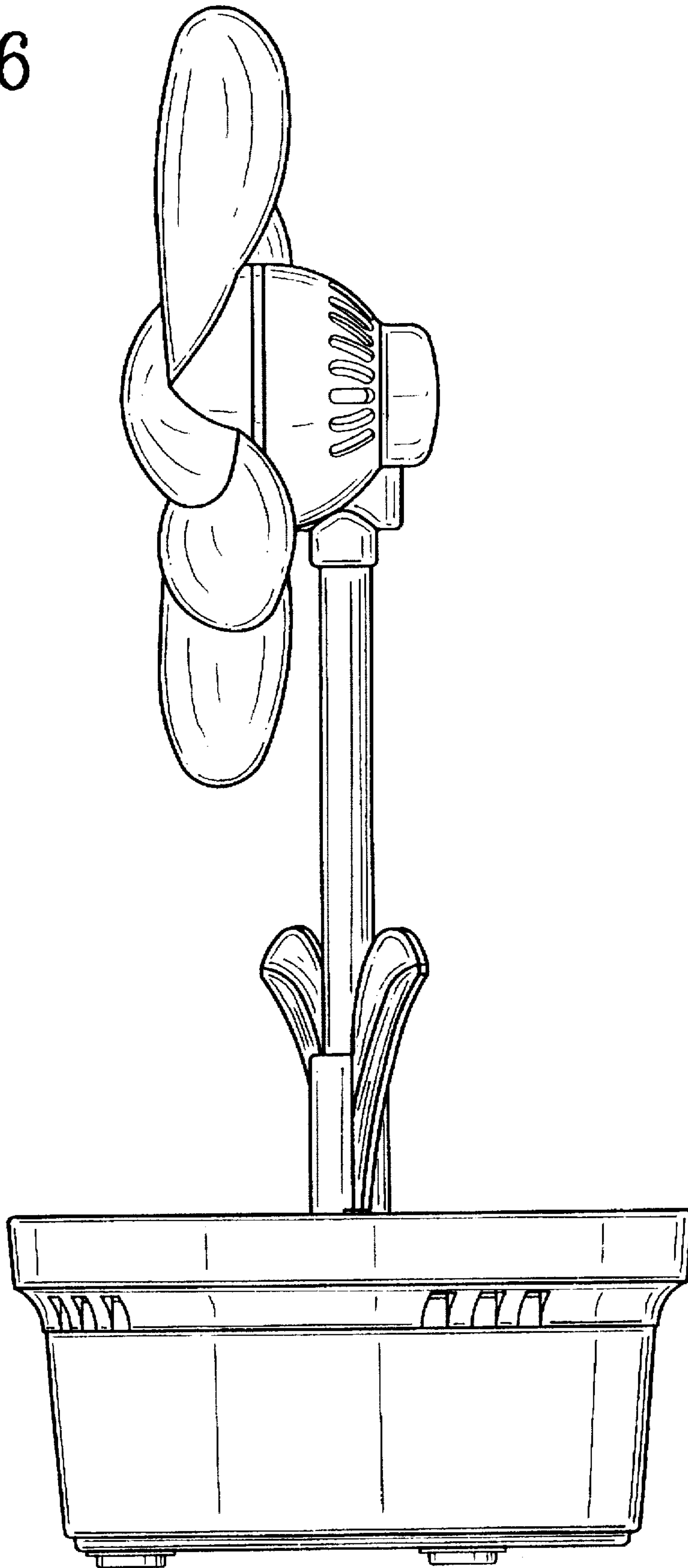


FIG-7

