



US00D392378S

**United States Patent** [19]  
**Sato**

[11] **Patent Number:** **Des. 392,378**  
[45] **Date of Patent:** **\*\*Mar. 17, 1998**

[54] **AIR CLEANER**

[75] **Inventor:** **Hisashi Sato**, Tokyo, Japan

[73] **Assignee:** **Circland Corp.**, Tokyo, Japan

[\*\*] **Term:** **14 Years**

[21] **Appl. No.:** **74,833**

[22] **Filed:** **Aug. 8, 1997**

[51] **LOC (6) Cl.** ..... **23-04**

[52] **U.S. Cl.** ..... **D23/364; D23/355**

[58] **Field of Search** ..... **D23/364, 365;**  
**55/356, 471, 472**

[56] **References Cited**

**U.S. PATENT DOCUMENTS**

- D. 338,521 8/1993 Ganor ..... D23/364
- D. 340,510 10/1993 Wood et al. .... D23/364

**OTHER PUBLICATIONS**

Hong Kong Household, p. 54, "Air Romance" Air Cleaner Oct. 1984.

*Primary Examiner*—Lisa Lichtenstein  
*Attorney, Agent, or Firm*—Laff, Whitesel, Conte & Saret Ltd.

**CLAIM**

[57] The ornamental design for an air cleaner, as shown.

**DESCRIPTION**

FIG. 1 is a front, top and right side perspective view of an air cleaner, showing my new design;  
FIG. 2 is a front elevational view thereof;  
FIG. 3 is a right side elevational view thereof;  
FIG. 4 is a rear elevational view thereof;  
FIG. 5 is a left side elevational view thereof;  
FIG. 6 is a top plan view thereof; and,  
FIG. 7 is a bottom plan view thereof.

**1 Claim, 2 Drawing Sheets**

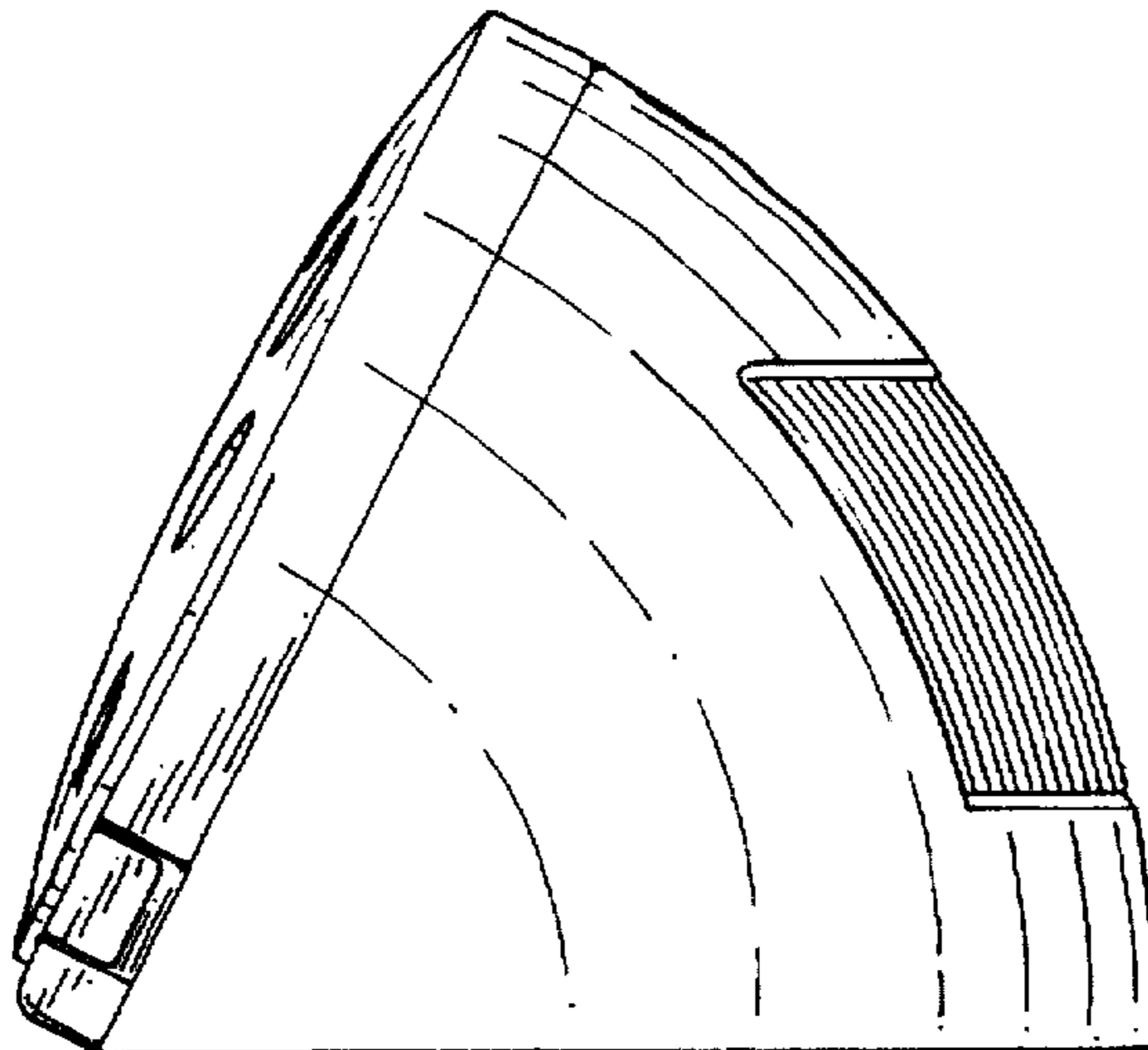
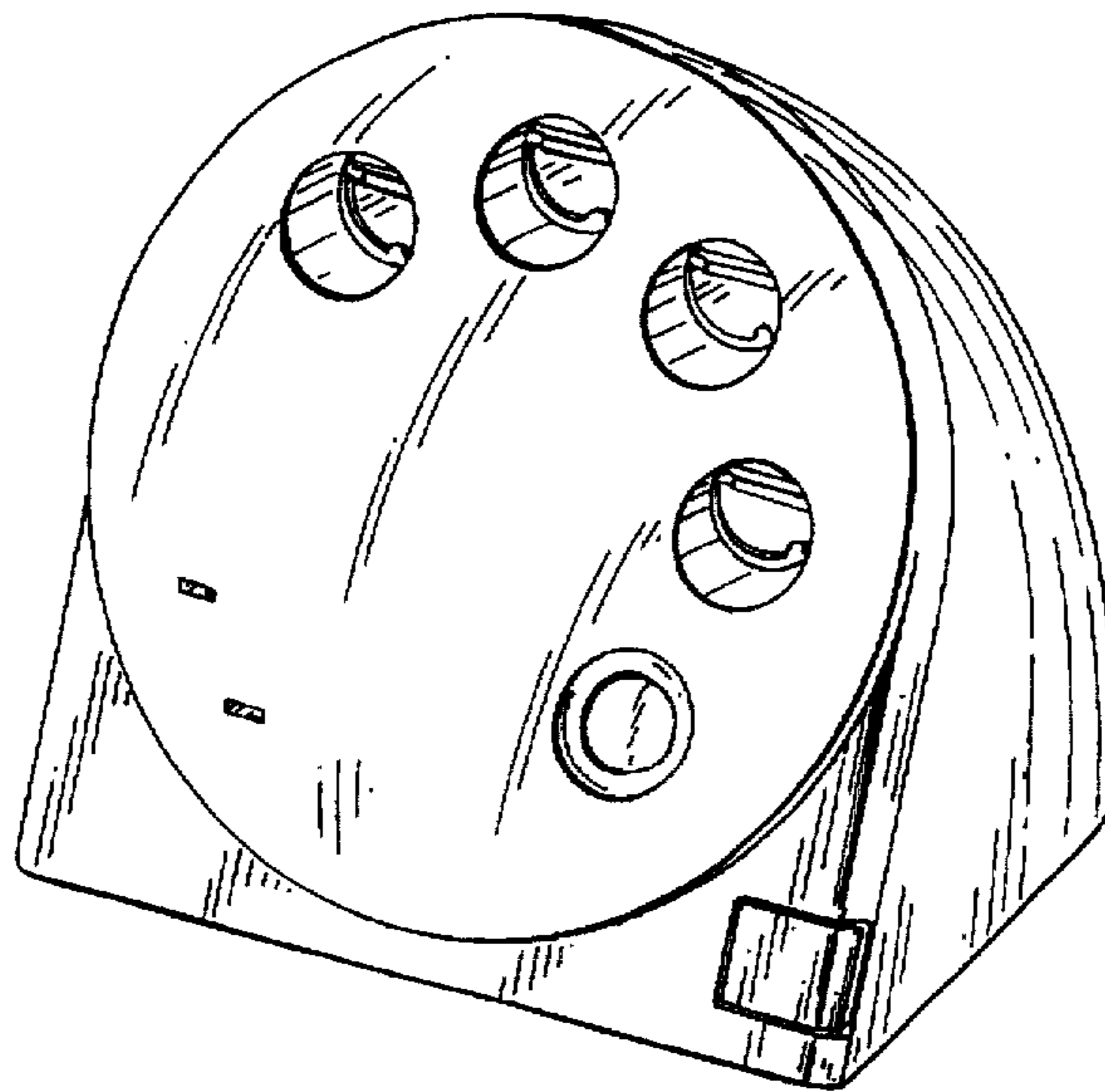


FIG. 1

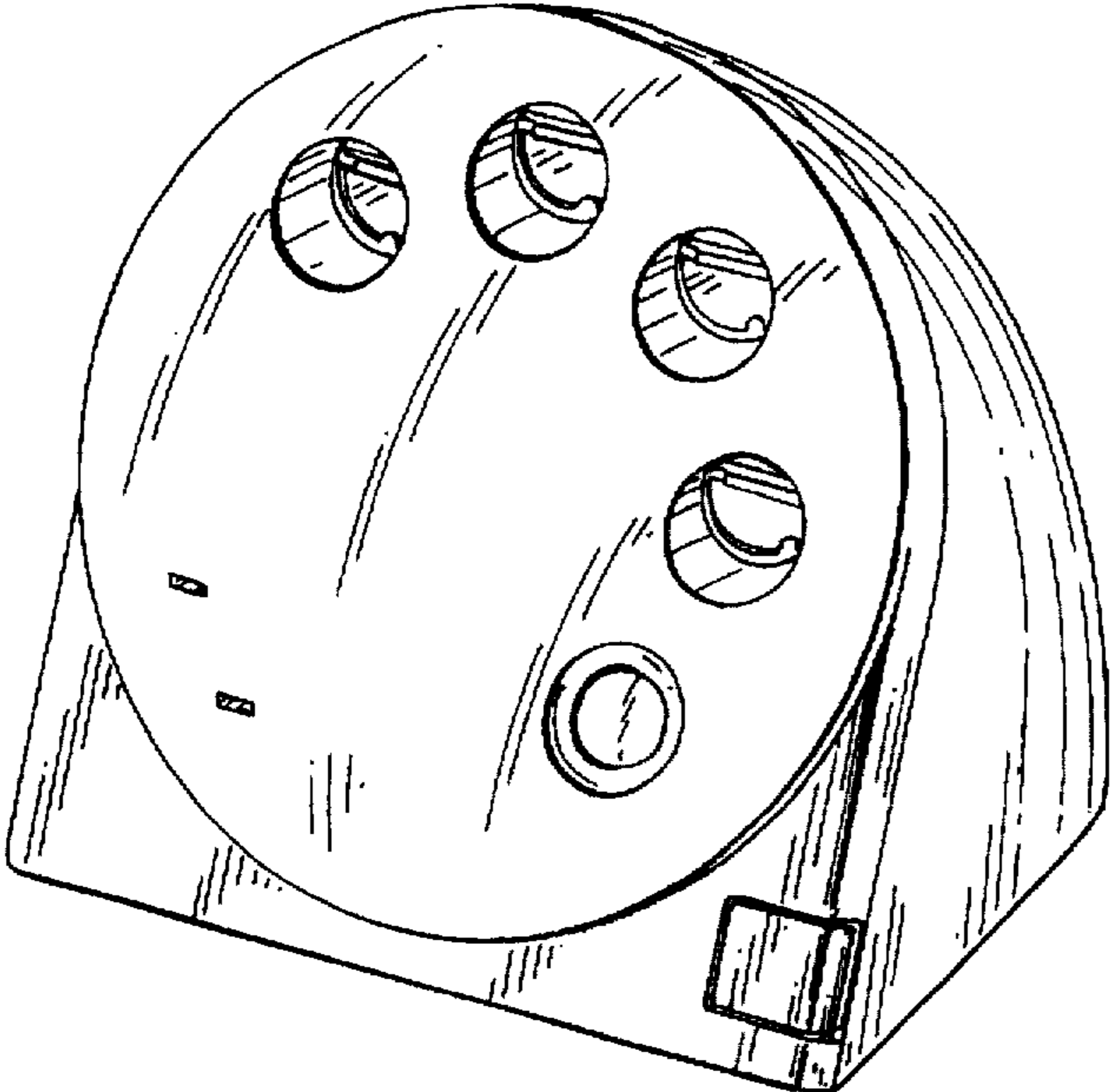


FIG. 2

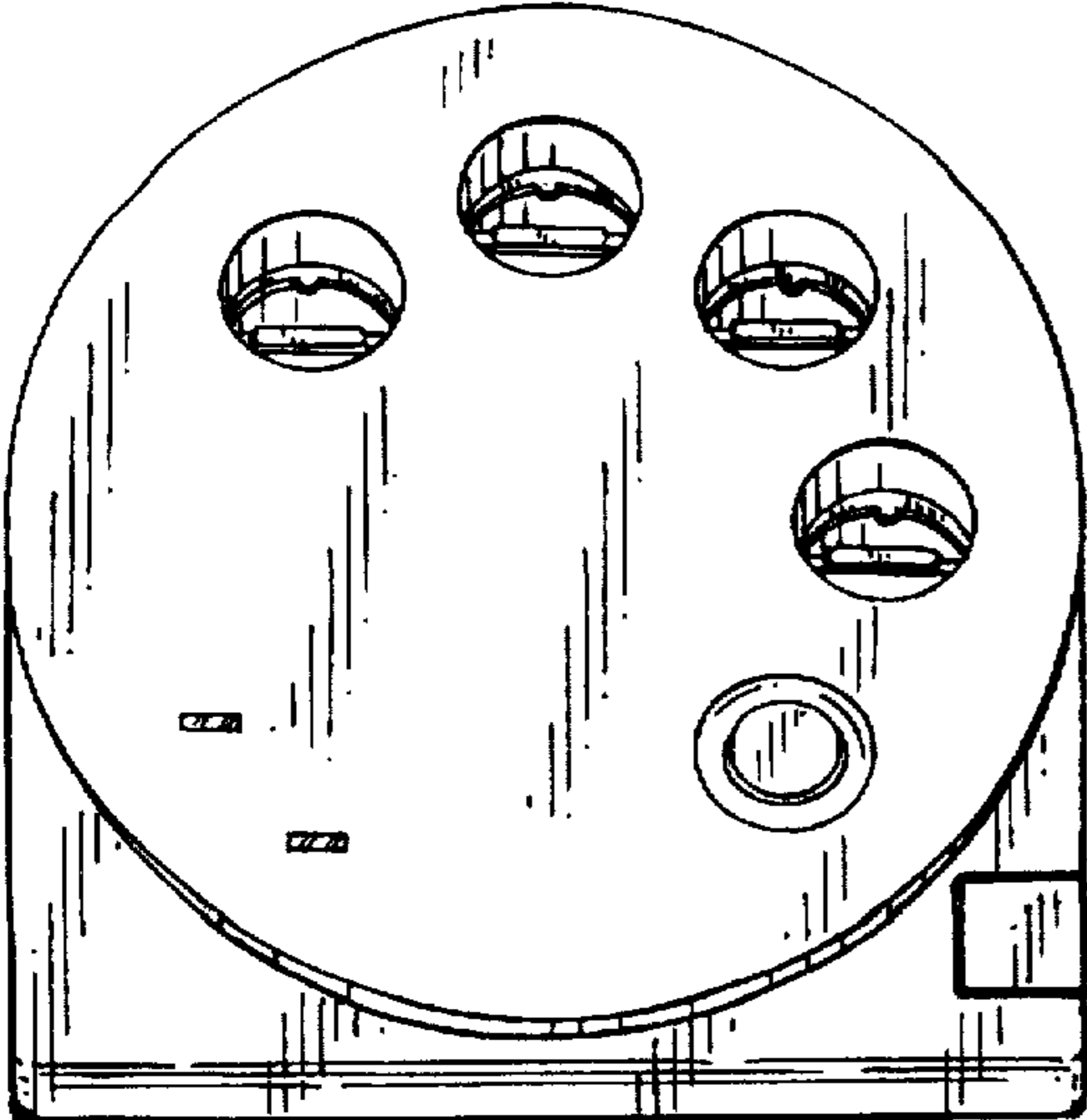


FIG. 3

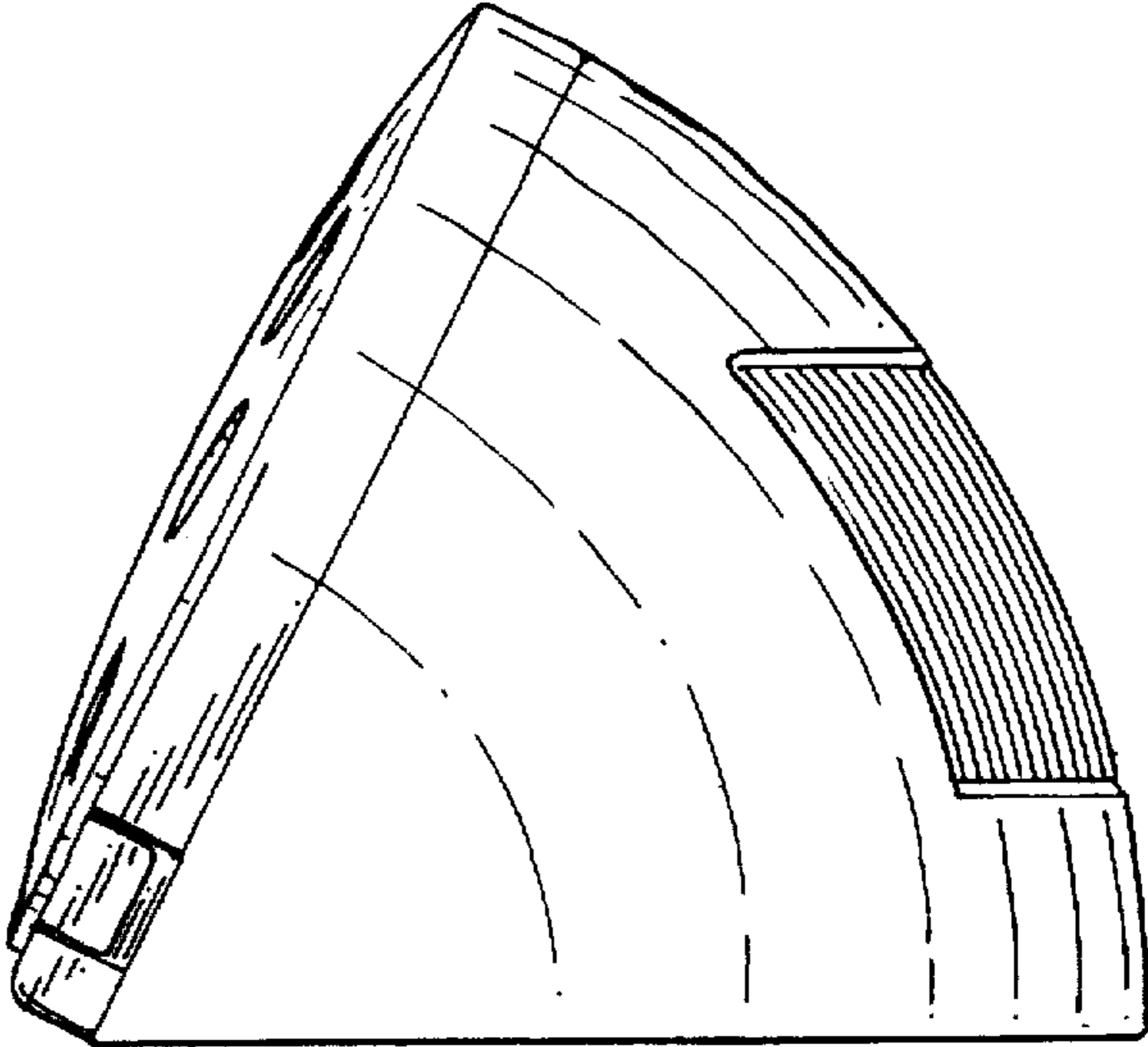


FIG. 4

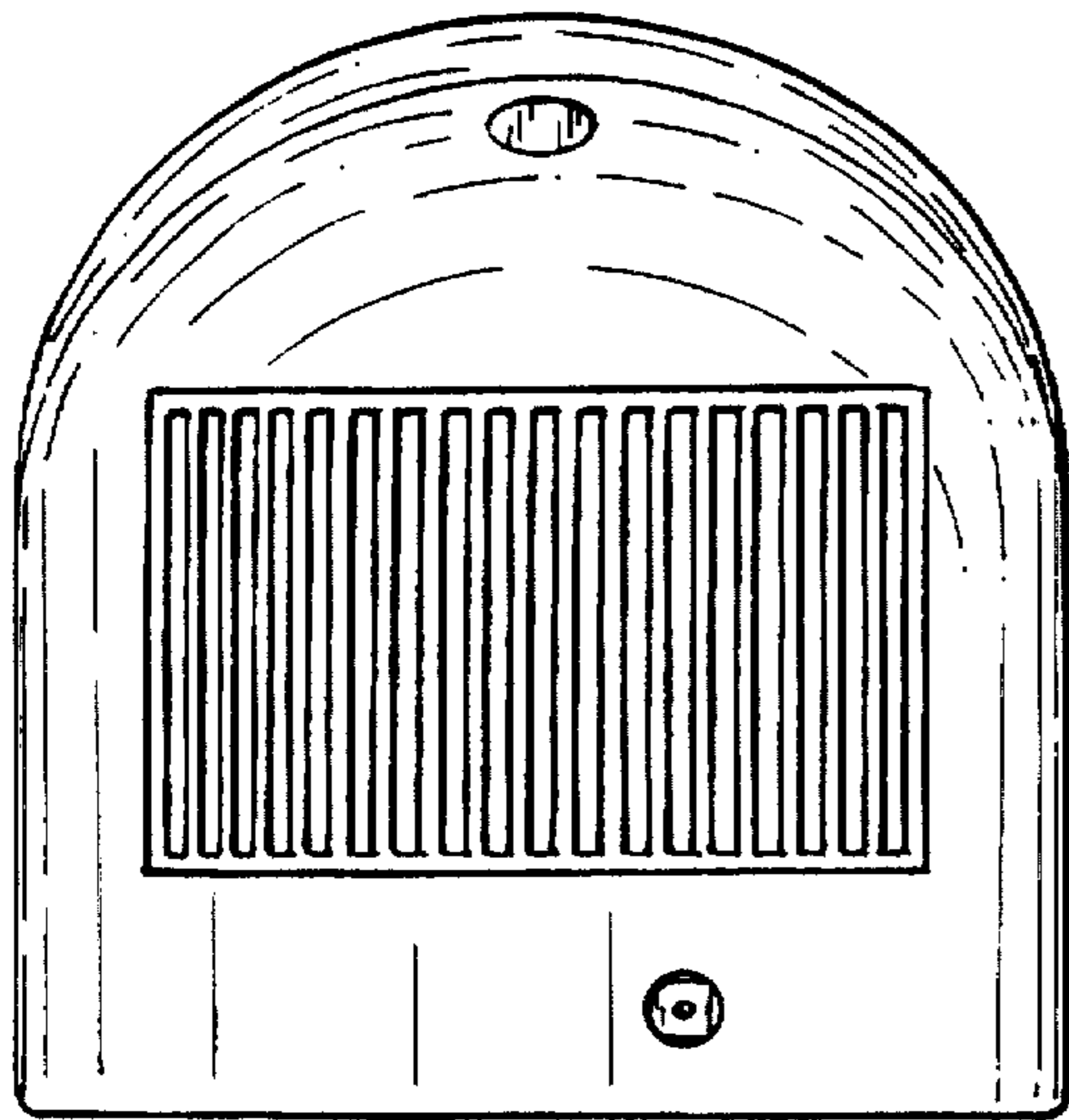


FIG. 5

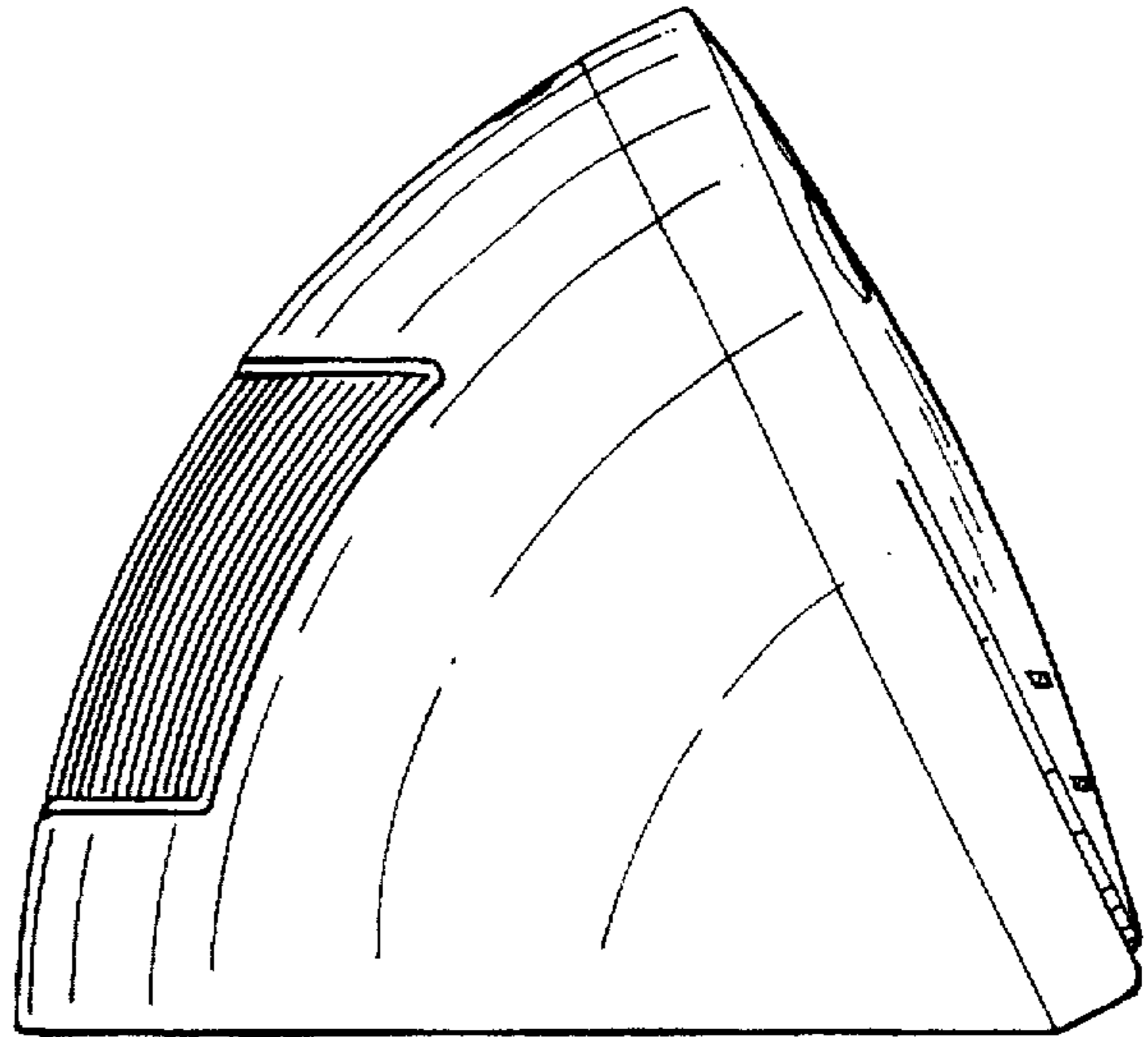


FIG. 6

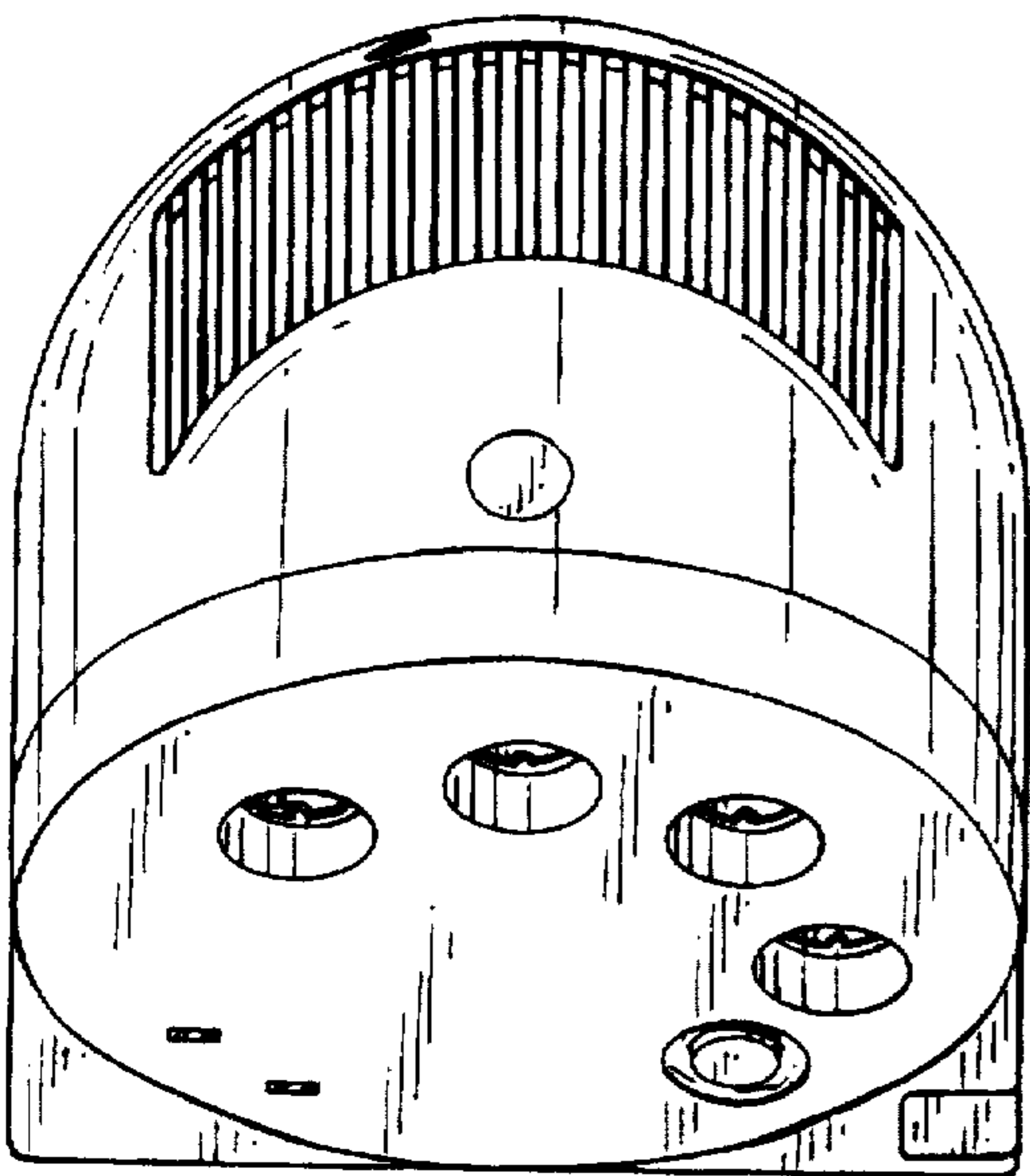


FIG. 7

