



US00D392373S

United States Patent [19]

[11] Patent Number: **Des. 392,373**

Wilson

[45] Date of Patent: ****Mar. 17, 1998**

[54] **PORTABLE TOILET**

1,343,287 6/1920 Shafer 4/477
3,389,826 6/1968 Wall 4/483 X

[76] Inventor: **Godfrey T. Wilson**, 21 Knightsbridge Rd Apt 1003, Brampton, Ontario, Canada, L6T 3Y1

Primary Examiner—Louis S. Zarfes
Assistant Examiner—Eric Watterson

[**] Term: **14 Years**

[57] CLAIM

The ornamental design for a portable toilet, as shown.

[21] Appl. No.: **70,090**

DESCRIPTION

[22] Filed: **Apr. 29, 1997**

[51] LOC (6) Cl. **23-01**

[52] U.S. Cl. **D23/299**

[58] Field of Search D23/295, 299-301;
4/DIG. 12, 449, 612, 604, 605, 239, 483,
476-479

FIG. 1 is a front plan view of the portable toilet of the present invention;

FIG. 2 is a rear plan view of the portable toilet of FIG. 1; FIG. 3 is a right side plan view of the portable toilet of FIG. 1;

FIG. 4 is a left side plan view of the portable toilet of FIG. 1;

FIG. 5 is a top plan view of the portable toilet of FIG. 1; FIG. 6 is a bottom plan view of the portable toilet of FIG. 1; and,

FIG. 7 is a exploded, top, front, right side perspective view of the portable toilet of FIG. 1.

[56] References Cited

U.S. PATENT DOCUMENTS

D. 208,352 8/1967 Eisenberg D23/299
D. 328,126 7/1992 Wadsworth, Jr. D23/299
D. 383,199 9/1997 Nodo D23/299
506,905 10/1893 Corwin 4/483

1 Claim, 4 Drawing Sheets

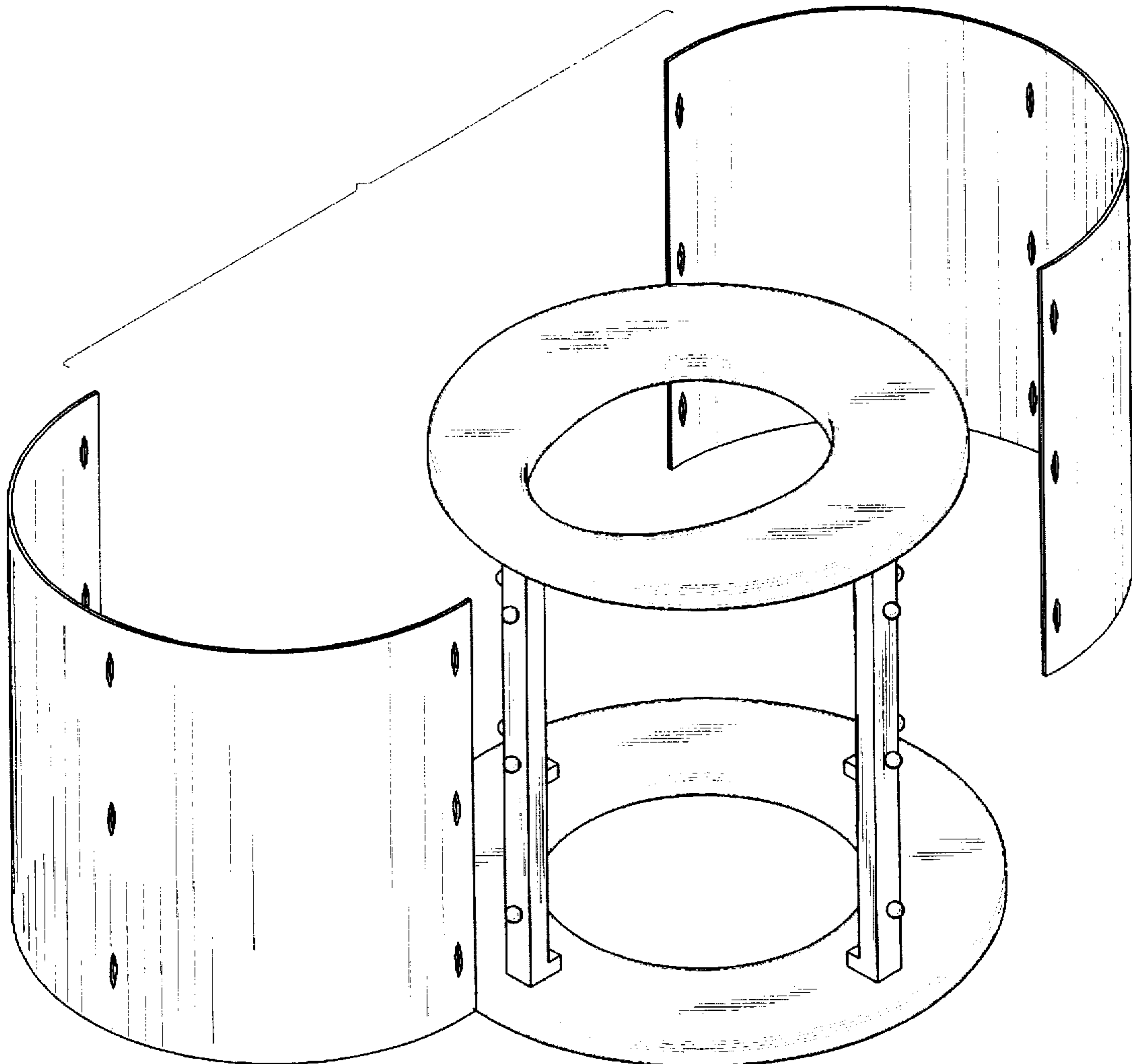


FIG. 1

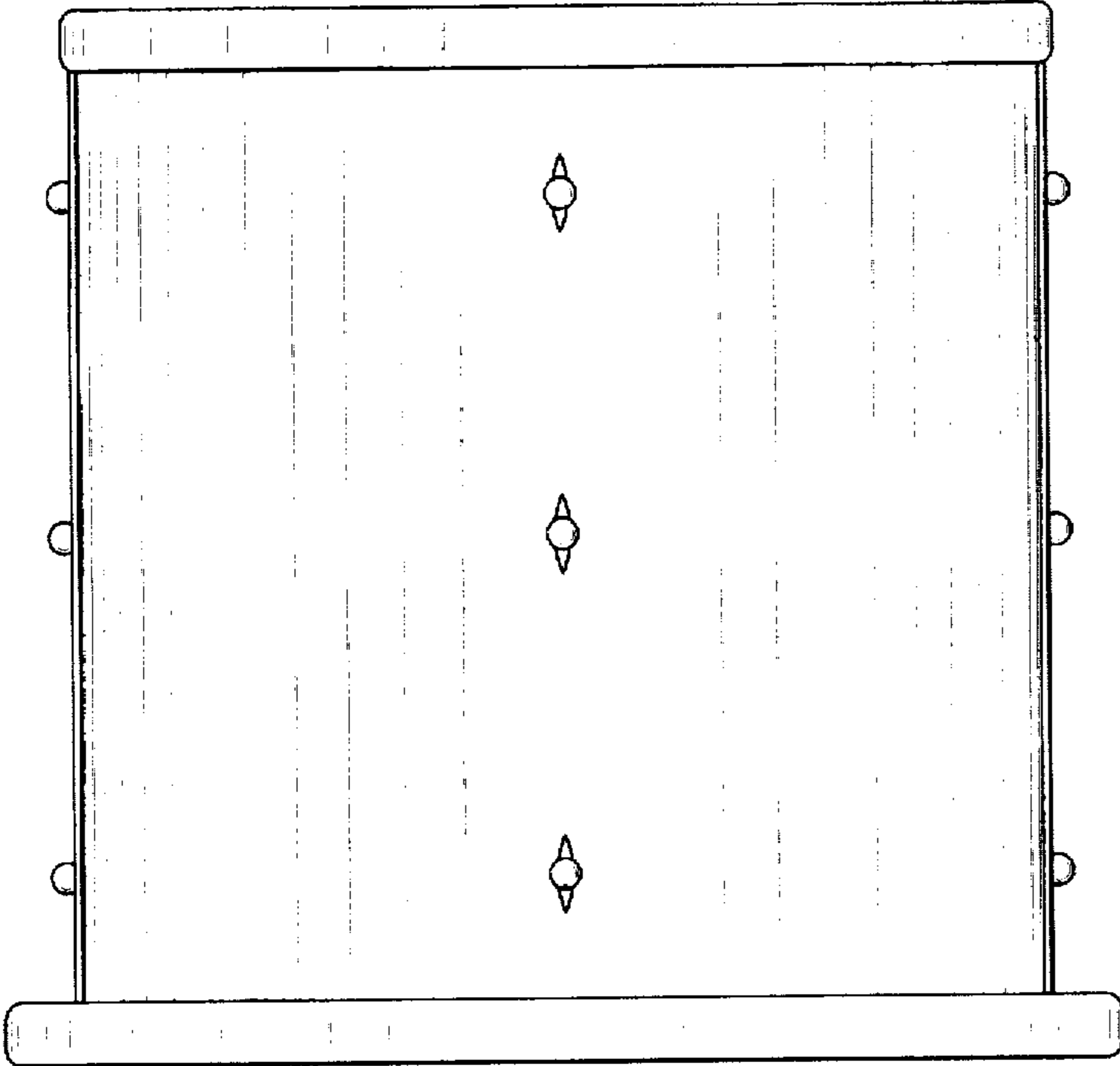


FIG. 2

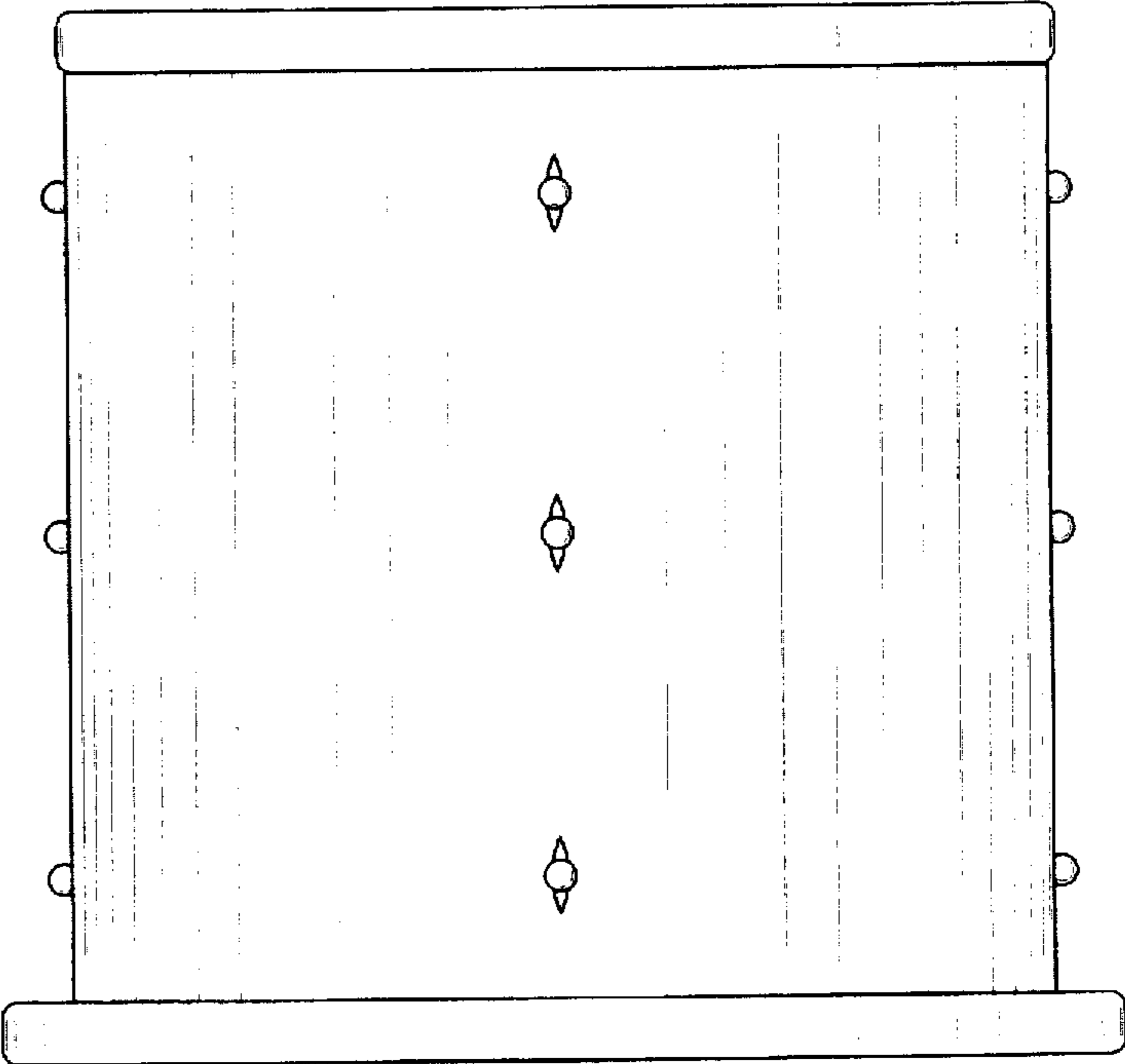


FIG. 3

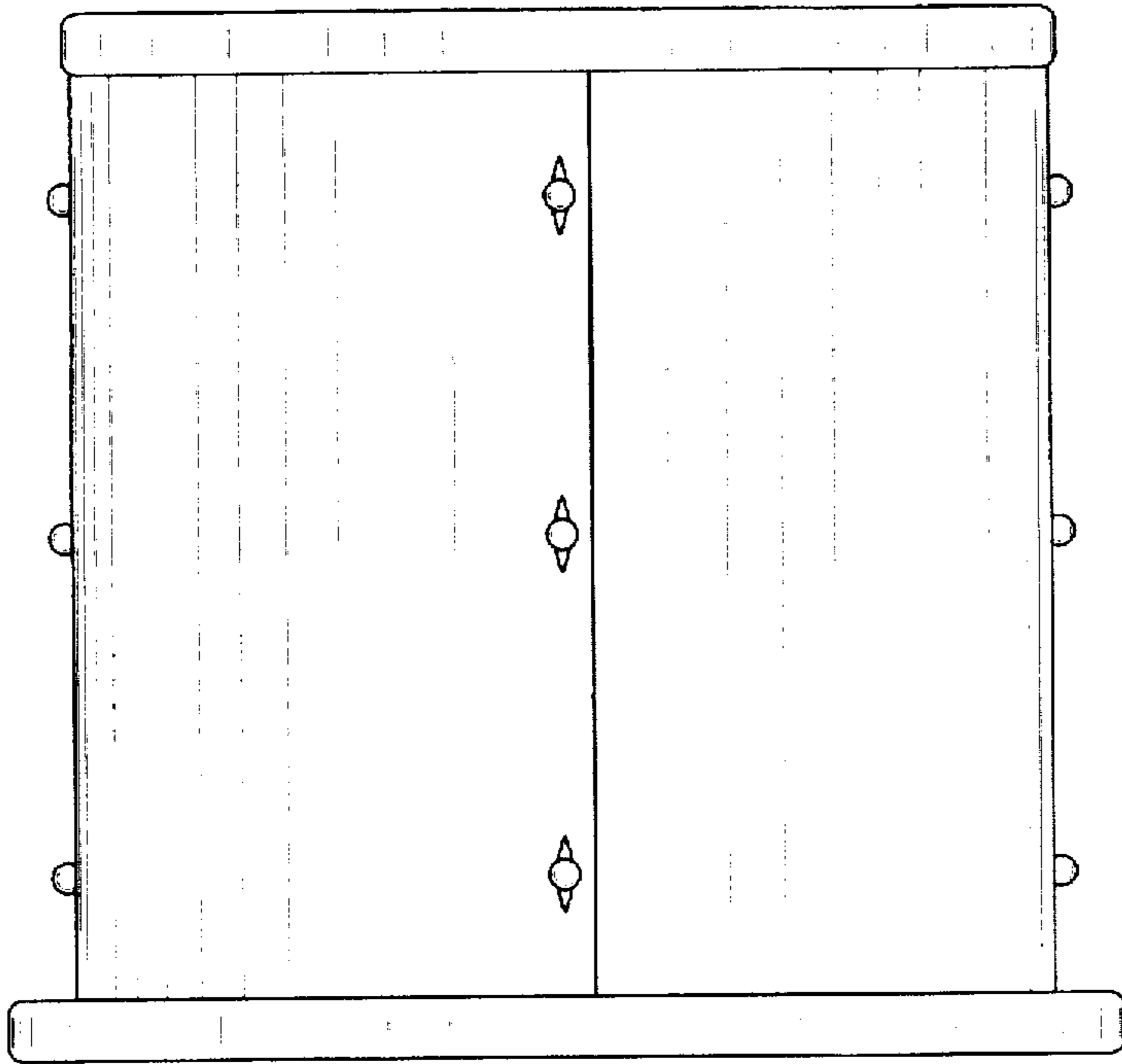


FIG. 4

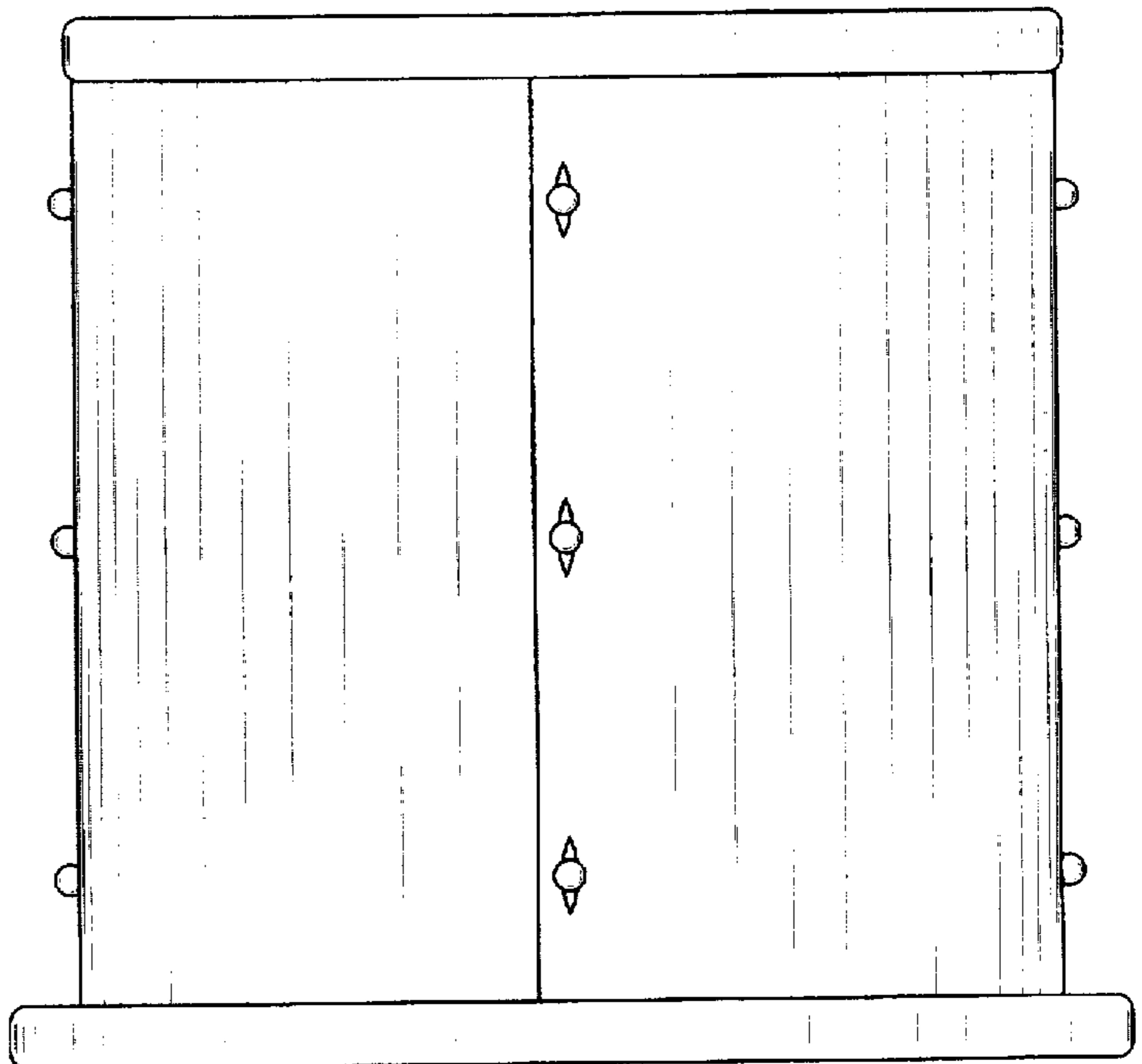


FIG. 5

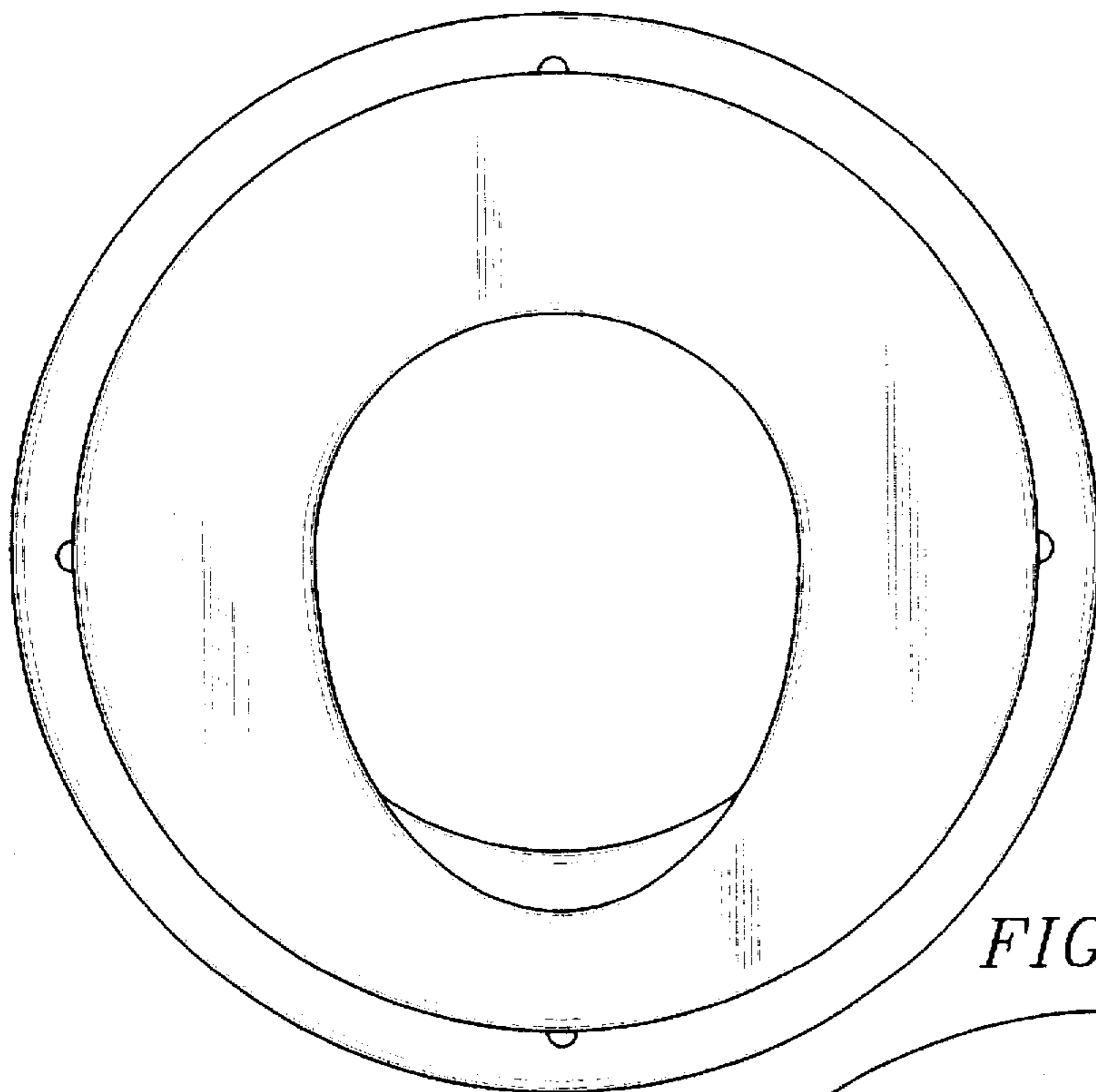


FIG. 6

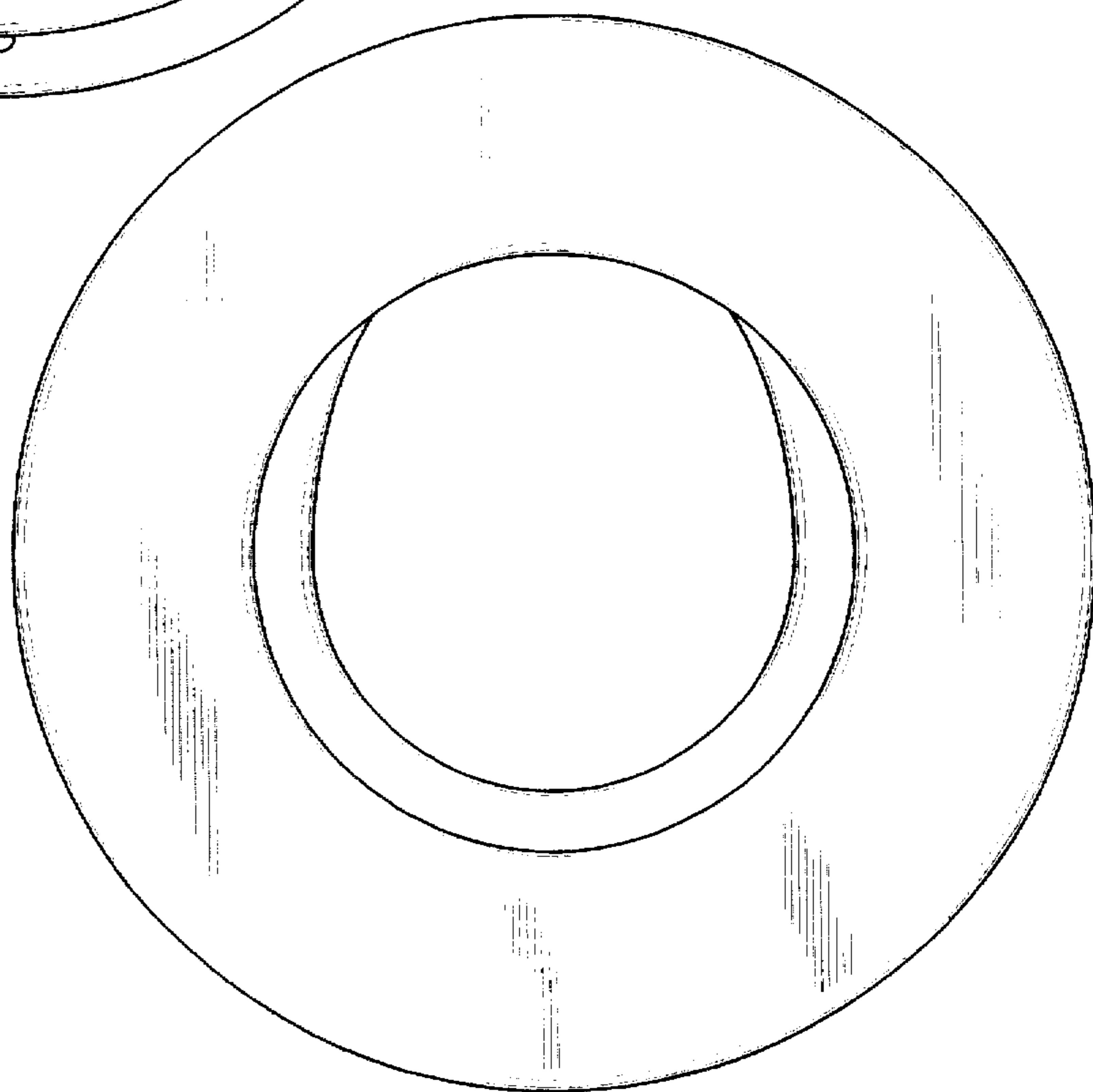


FIG. 7

