



US00D392372S

United States Patent [19]

[11] Patent Number: **Des. 392,372**

Saito et al.

[45] Date of Patent: ****Mar. 17, 1998**

[54] **PIPE JOINT**

4,201,048	5/1980	Fisher et al.	285/166 X
4,475,750	10/1984	Campbell	285/165 X
4,776,617	10/1988	Sato	285/166 X

[75] Inventors: **Kikuo Saito; Takashi Takeda**, both of Sanda, Japan

FOREIGN PATENT DOCUMENTS

[73] Assignee: **Yano Giken Co., Ltd.**, Japan

1316	1/1978	Japan	285/165
269791	10/1989	Japan	285/166
3199796	8/1991	Japan	285/166

[**] Term: **14 Years**

[21] Appl. No.: **53,018**

Primary Examiner—Sandra L. Morris

Assistant Examiner—C. Tuttle

[22] Filed: **Mar. 29, 1996**

Attorney, Agent, or Firm—Webb Ziesenheim Bruening Logsdon Orkin & Hanson, P.C.

[30] **Foreign Application Priority Data**

Dec. 25, 1995 [JP] Japan 7-39092

[57] **CLAIM**

[51] **LOC (6) Cl.** **23-01**

The ornamental design for a pipe joint, as shown and described.

[52] **U.S. Cl.** **D23/264; D23/262**

DESCRIPTION

[58] **Field of Search** D23/259, 262-264, D23/266; 285/163, 165, 166, 198, 303

FIG. 1 is a front view of our pipe joint;

FIG. 2 is a top plan view thereof;

FIG. 3 is a bottom view thereof;

FIG. 4 is a right end view thereof, the left end view being a mirror image thereof;

FIG. 5 is a sectional view taken on a line 5—5 of FIG. 2;

FIG. 6 is a sectional view taken on a line 6—6 of FIG. 1; and

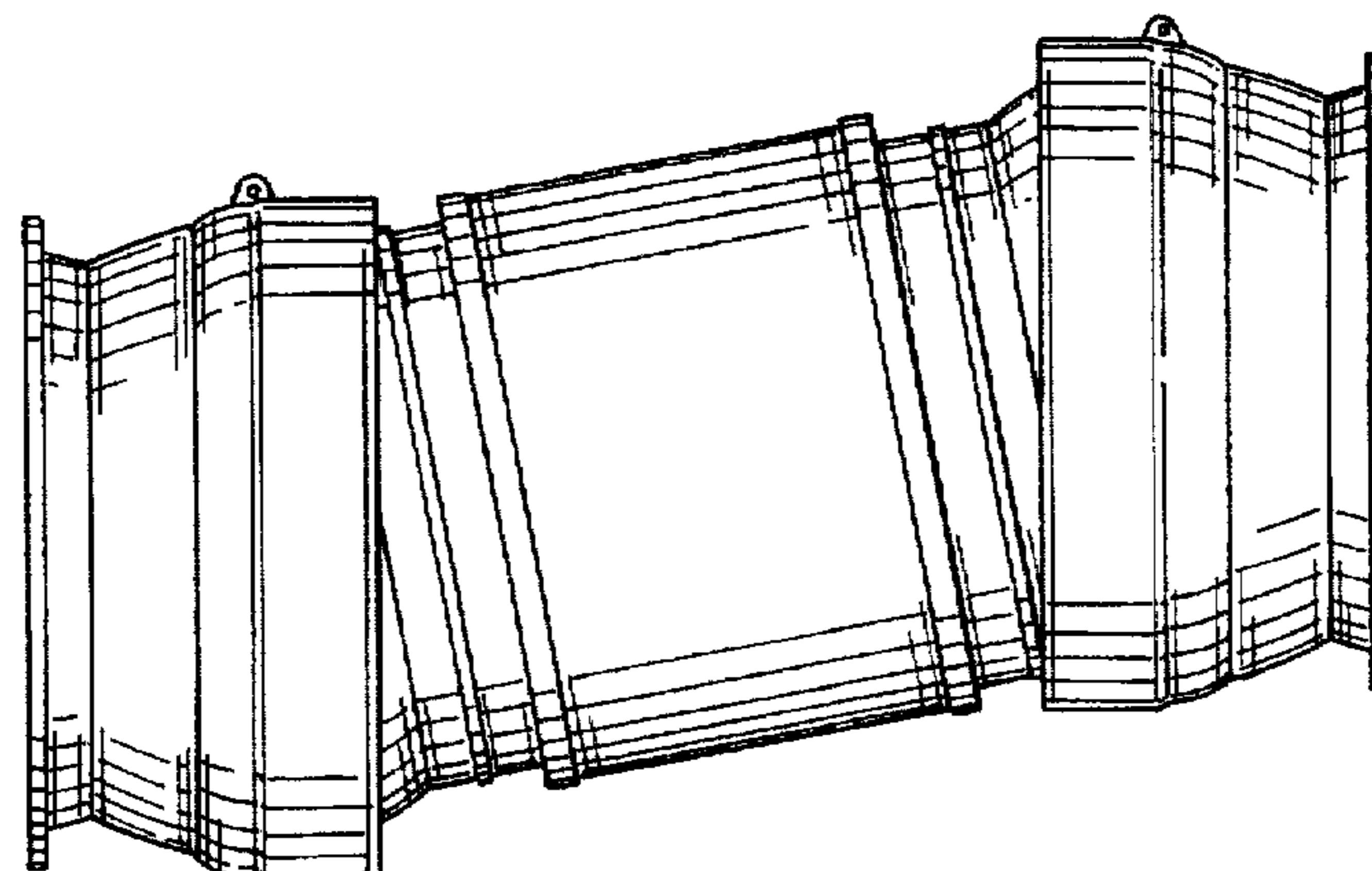
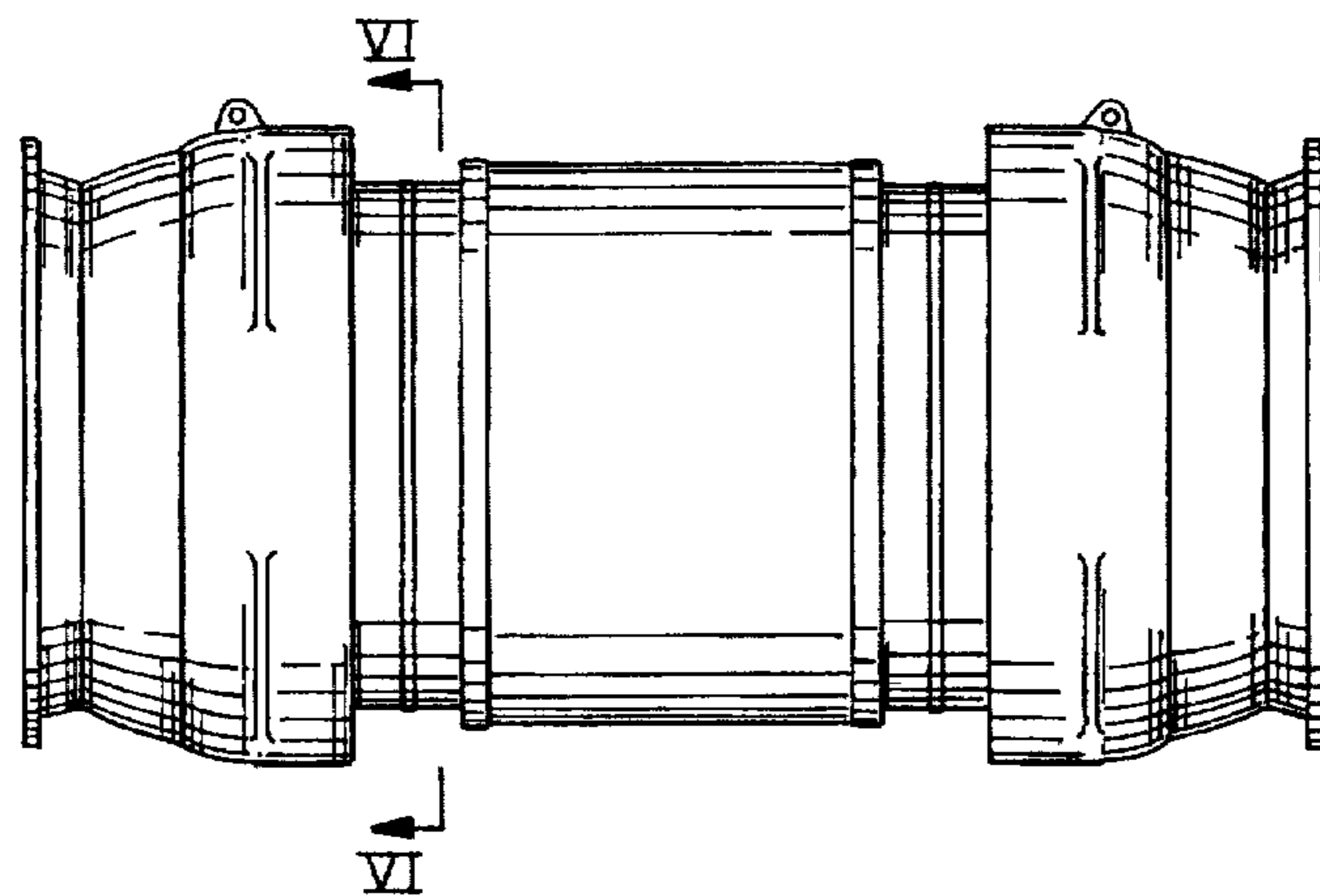
FIG. 7 is a front view of our pipe joint in the flexed position.

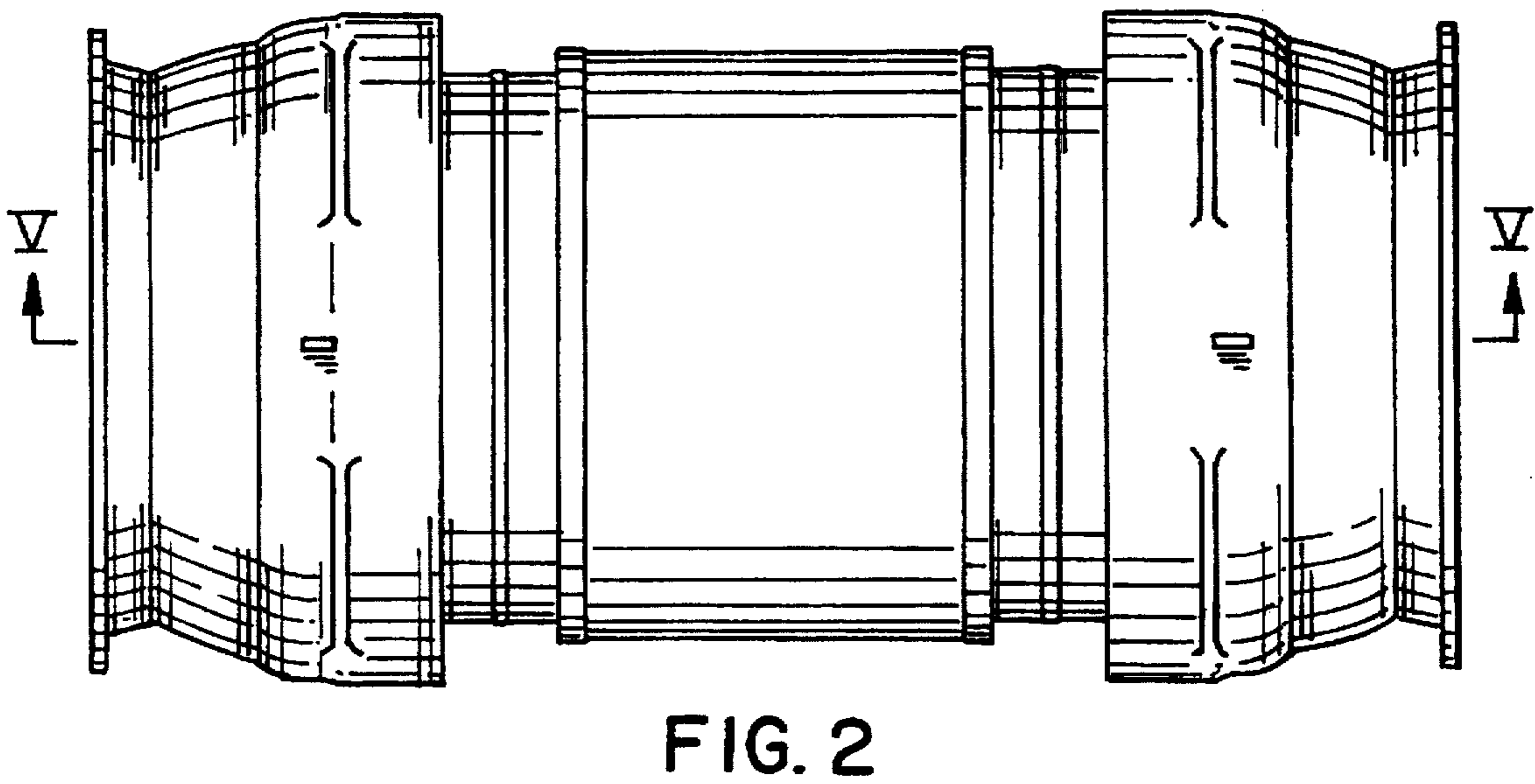
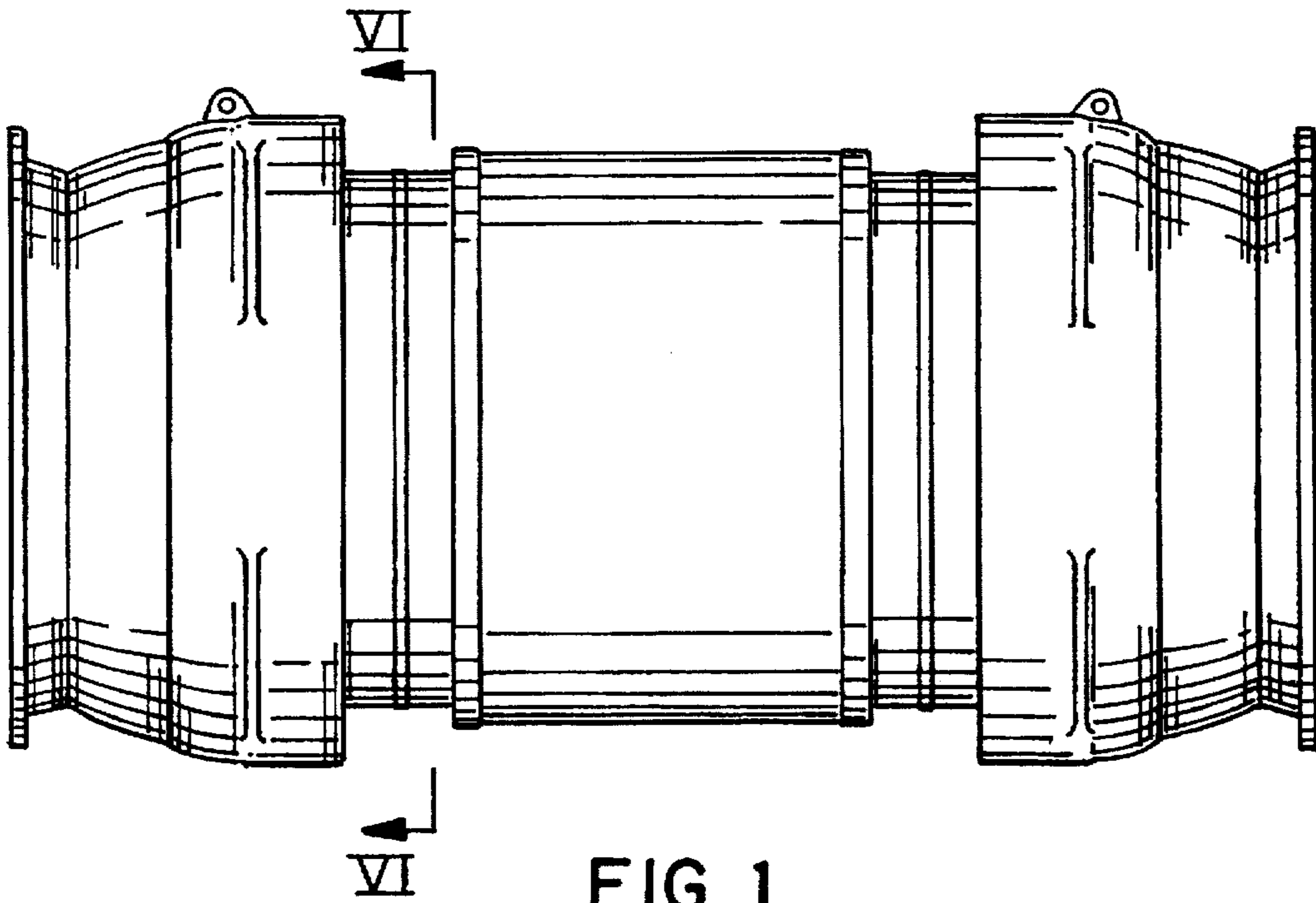
[56] **References Cited**

U.S. PATENT DOCUMENTS

D. 234,462	3/1975	Ahlrot	D23/262
D. 291,482	8/1987	Vassallo et al.	D23/262
910,687	1/1909	Jenkins	285/166 X
2,363,477	11/1944	Barton	285/166
2,616,728	11/1952	Pitt	285/166 X
2,758,851	8/1956	Heath	285/165 X
3,064,983	11/1962	Halterman	D23/262 X

1 Claim, 3 Drawing Sheets





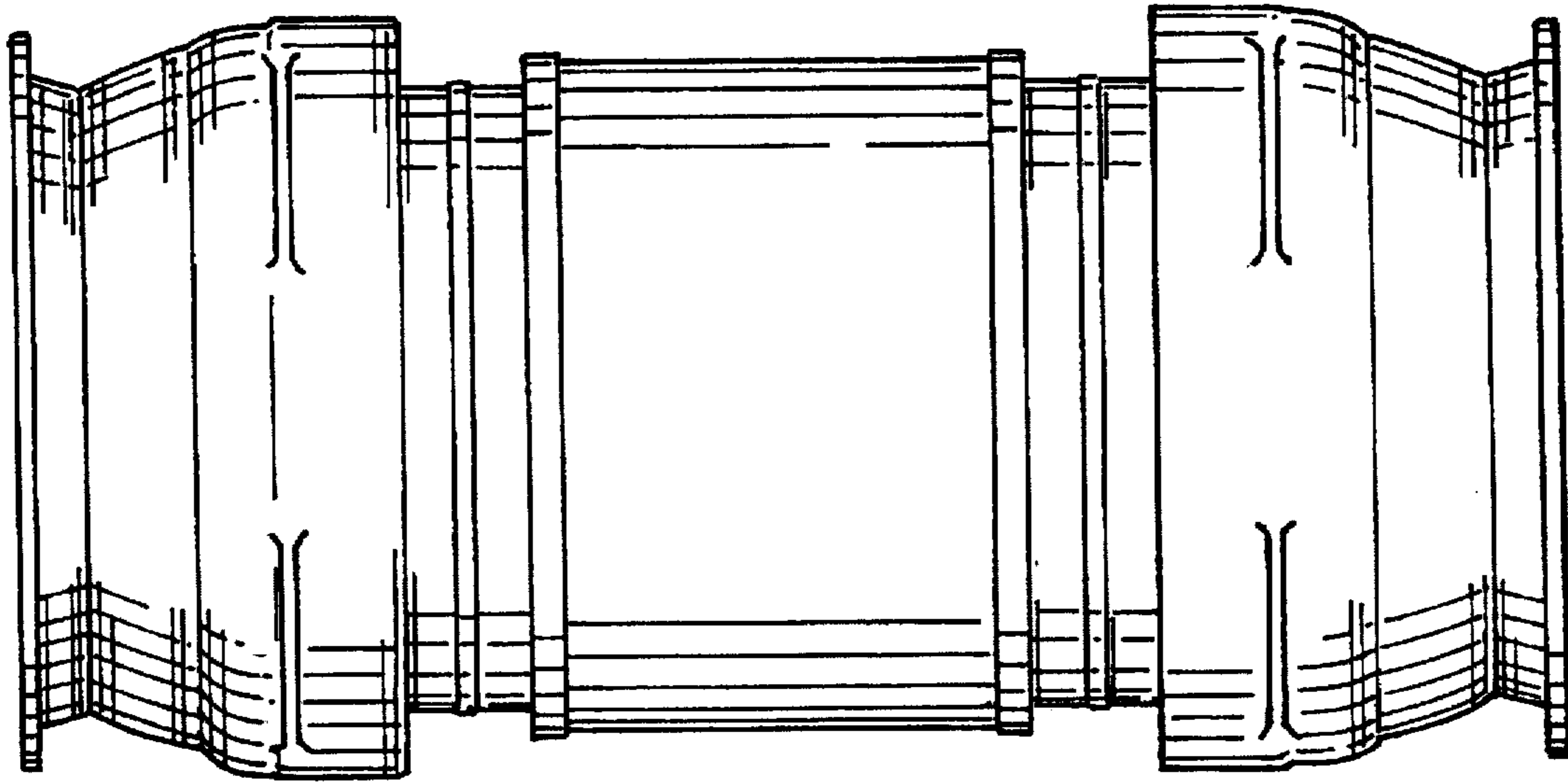


FIG. 3

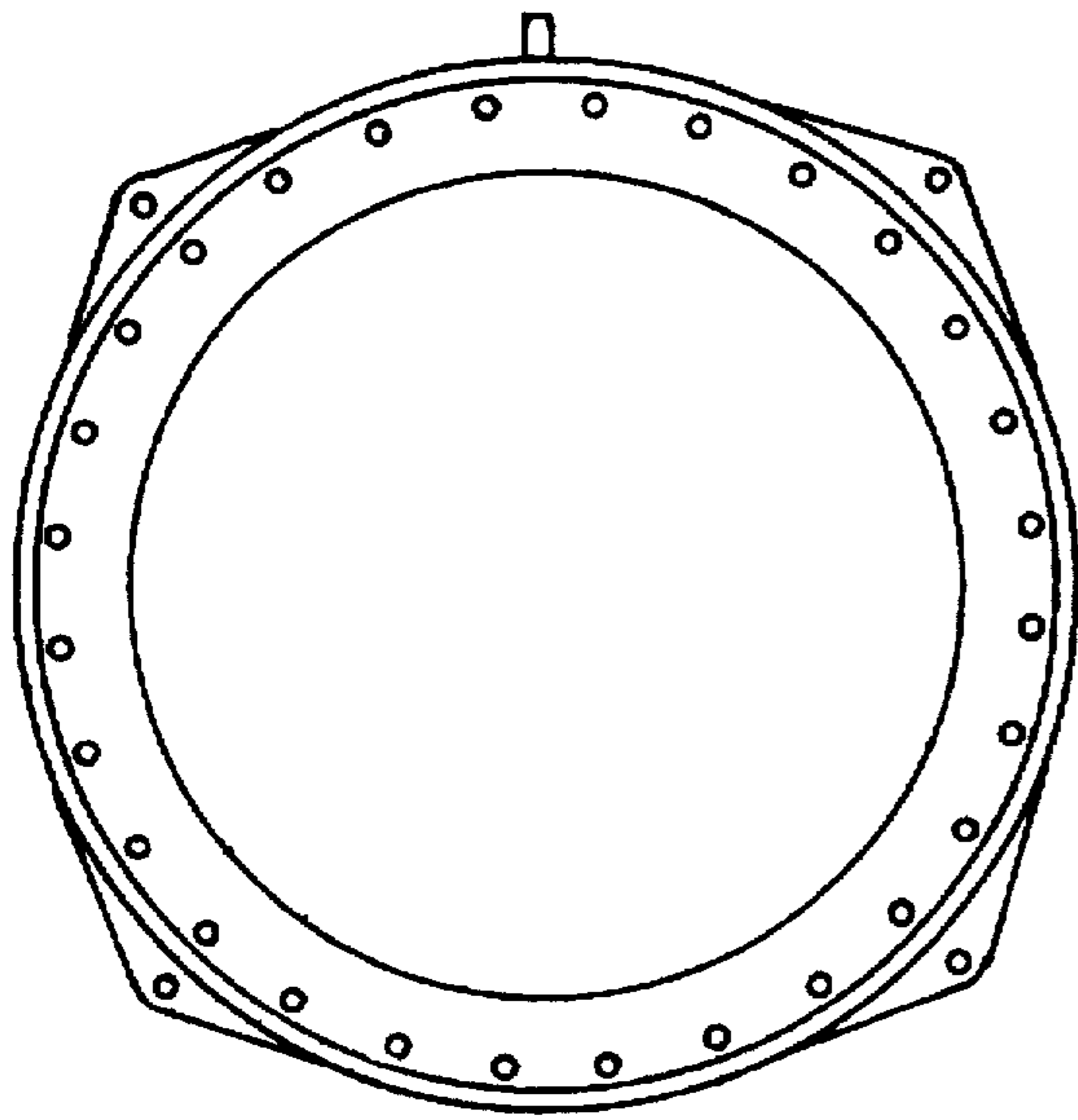


FIG. 4

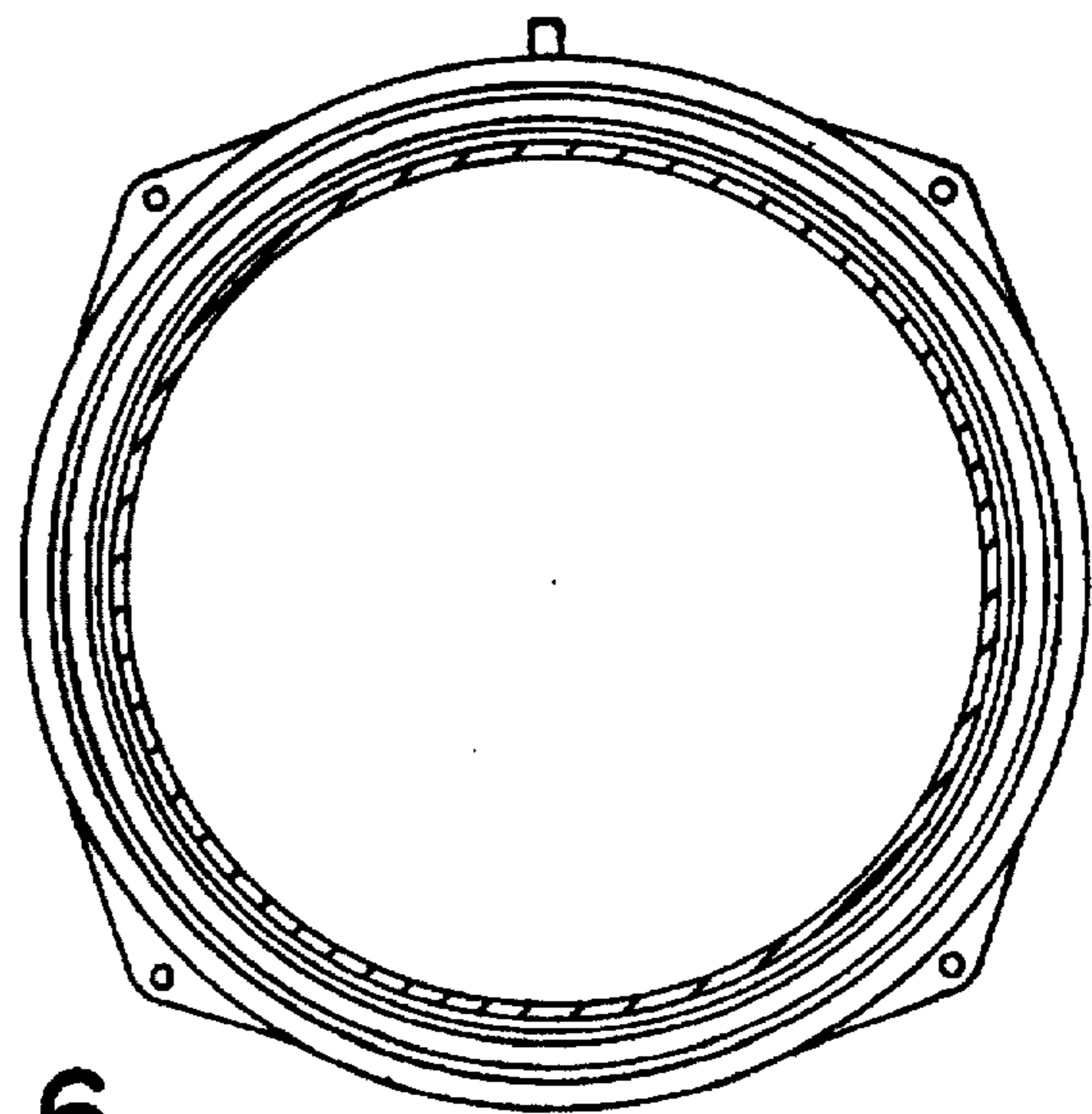


FIG. 6

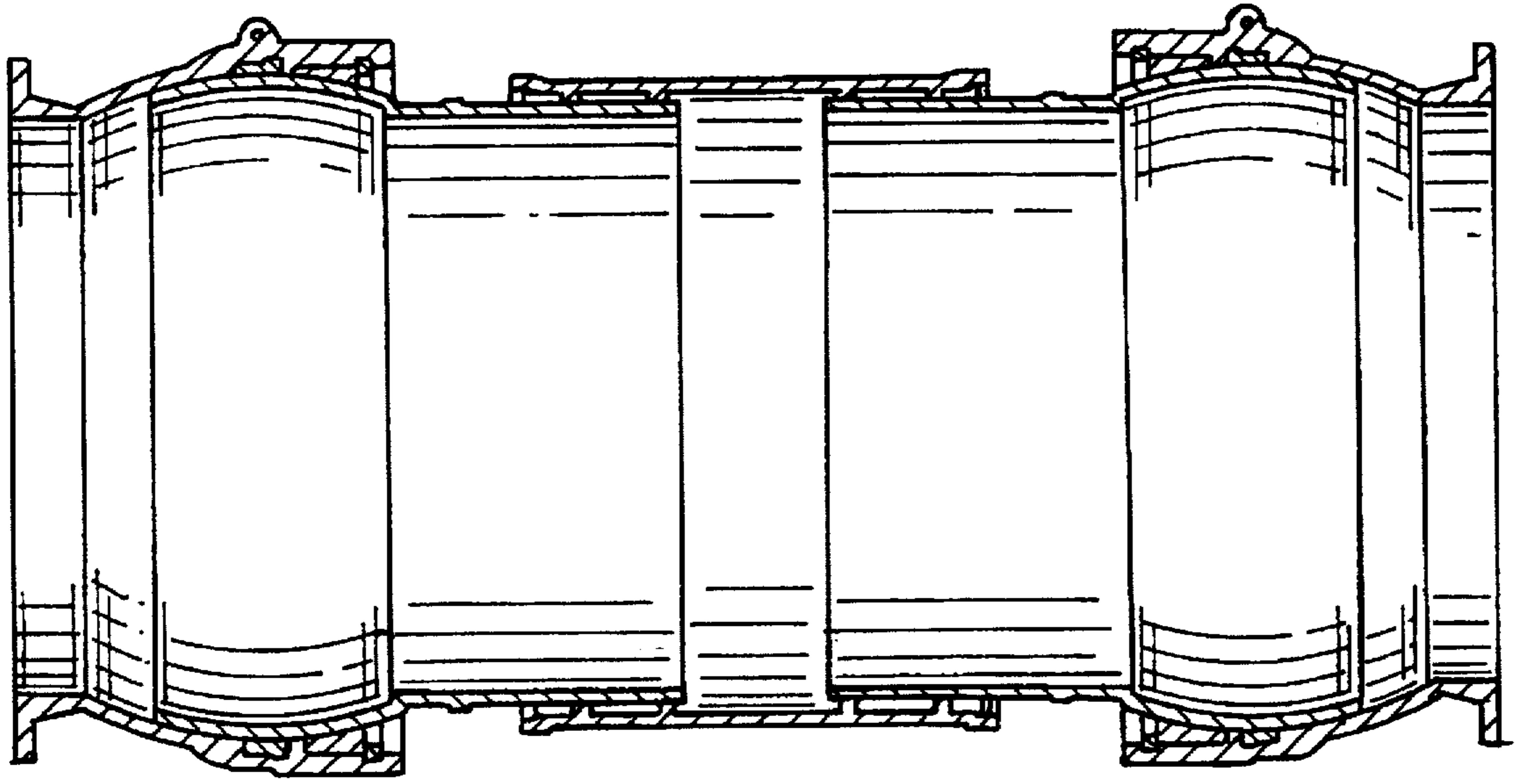


FIG. 5

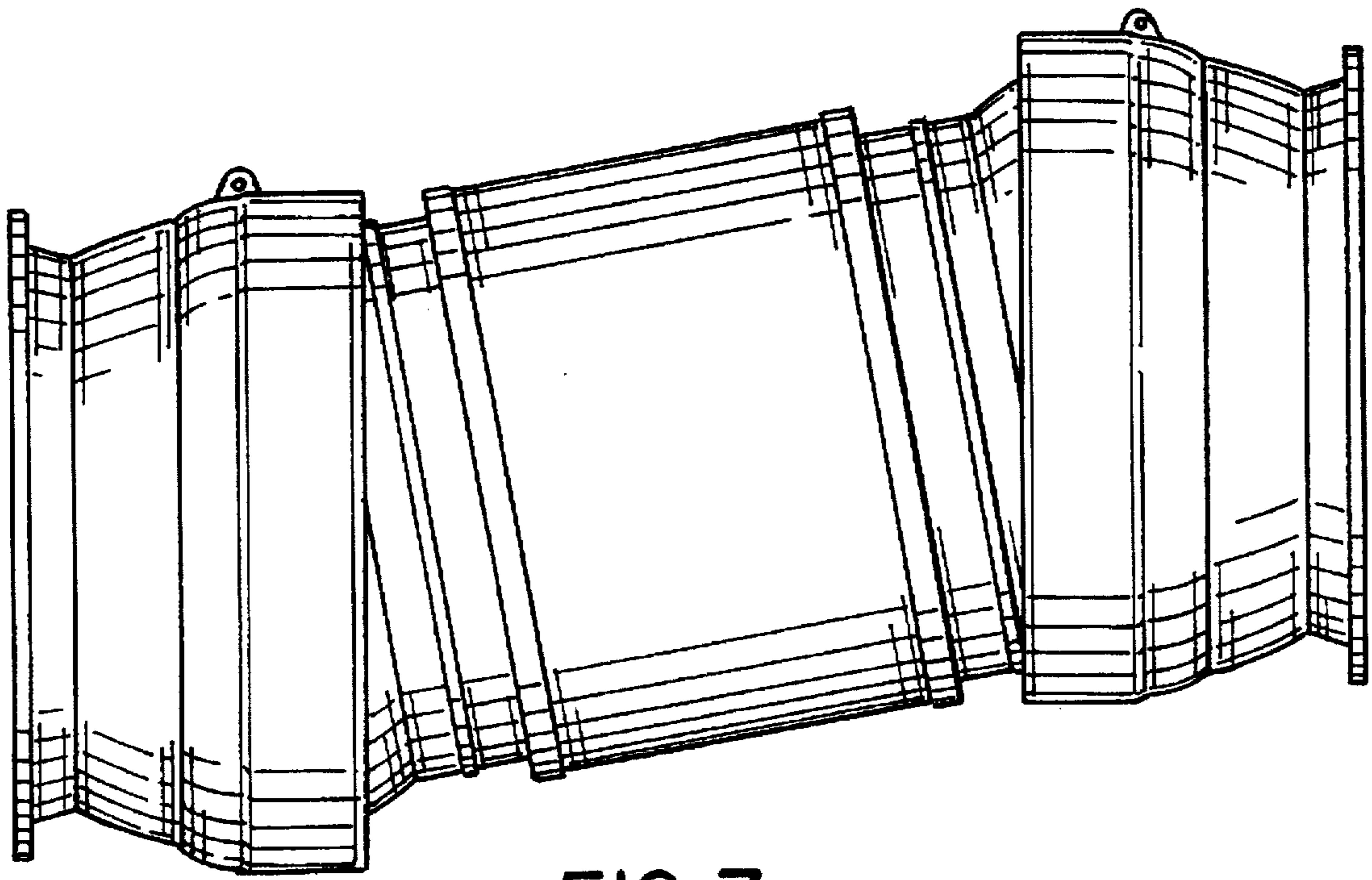


FIG. 7