



US00D392366S

# United States Patent [19]

Asano et al.

[11] Patent Number: **Des. 392,366**

[45] Date of Patent: **\*\*Mar. 17, 1998**

## [54] FISHING REEL

[75] Inventors: **Shin-ichi Asano, Musashino; Takeo Miyazaki; Toshiro Ono**, both of Higashikurume, all of Japan

[73] Assignee: **Daiwa Seiko, Inc.**, Tokyo, Japan

[\*\*] Term: **14 Years**

[21] Appl. No.: **54,233**

[22] Filed: **May 10, 1996**

### [30] Foreign Application Priority Data

Nov. 13, 1995 [JP] Japan ..... 7-34184

[51] LOC (6) Cl. .... **22-05**

[52] U.S. Cl. .... **D22/140**

[58] Field of Search ..... D22/140, 141; 242/311, 312, 313, 234, 240, 282, 310, 279

### [56] References Cited

#### U.S. PATENT DOCUMENTS

- D. 336,325 6/1993 Asano ..... D22/140
- D. 346,006 4/1994 Sakurai et al. .... D22/140
- D. 347,046 5/1994 Sakurai ..... D22/140
- D. 369,642 5/1996 Iwabuchi ..... D22/140
- D. 369,848 5/1996 Asano et al. .... D22/140

## FOREIGN PATENT DOCUMENTS

807651 2/1991 Japan .

## OTHER PUBLICATIONS

Cabela's 1993 Spring , p. 26, Abu Garcia Black Max Reel.

*Primary Examiner*—Doris V. Coles  
*Attorney, Agent, or Firm*—Laff, Whitesel, Conte & Saret, Ltd.

## [57] CLAIM

The ornamental design for a fishing reel, as shown.

## DESCRIPTION

FIG. 1 is a front, top and right side perspective view of a fishing reel, showing our new design;  
 FIG. 2 is a rear, top and right side perspective view thereof;  
 FIG. 3 is a front, top and left side perspective view thereof;  
 FIG. 4 is a rear, top and left side perspective view thereof;  
 FIG. 5 is a front elevational view thereof;  
 FIG. 6 is a right side elevational view thereof;  
 FIG. 7 is a top plan view thereof;  
 FIG. 8 is a rear elevational view thereof;  
 FIG. 9 is a left side elevational view thereof; and,  
 FIG. 10 is a bottom plan view thereof.

**1 Claim, 4 Drawing Sheets**

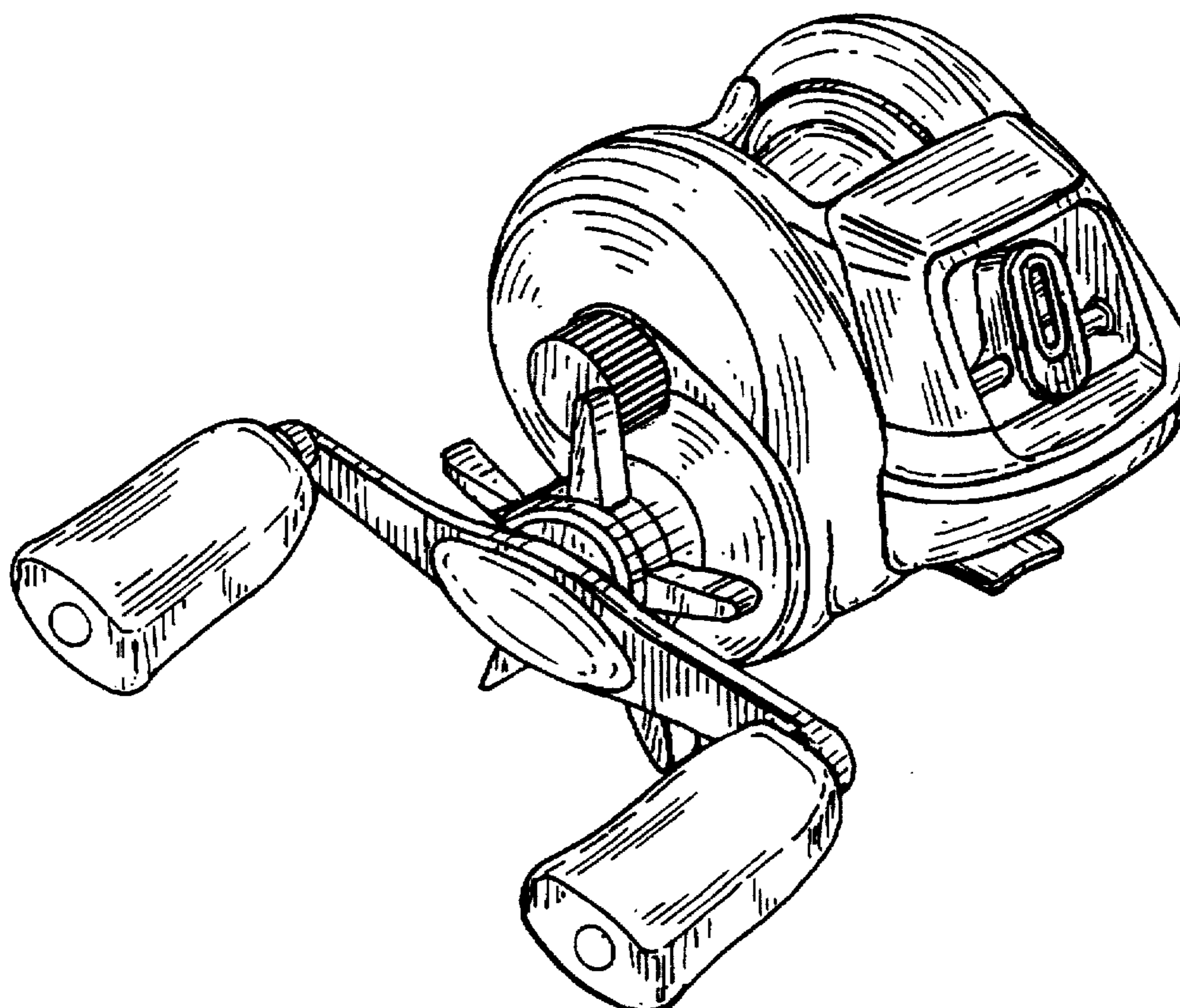


FIG. 1

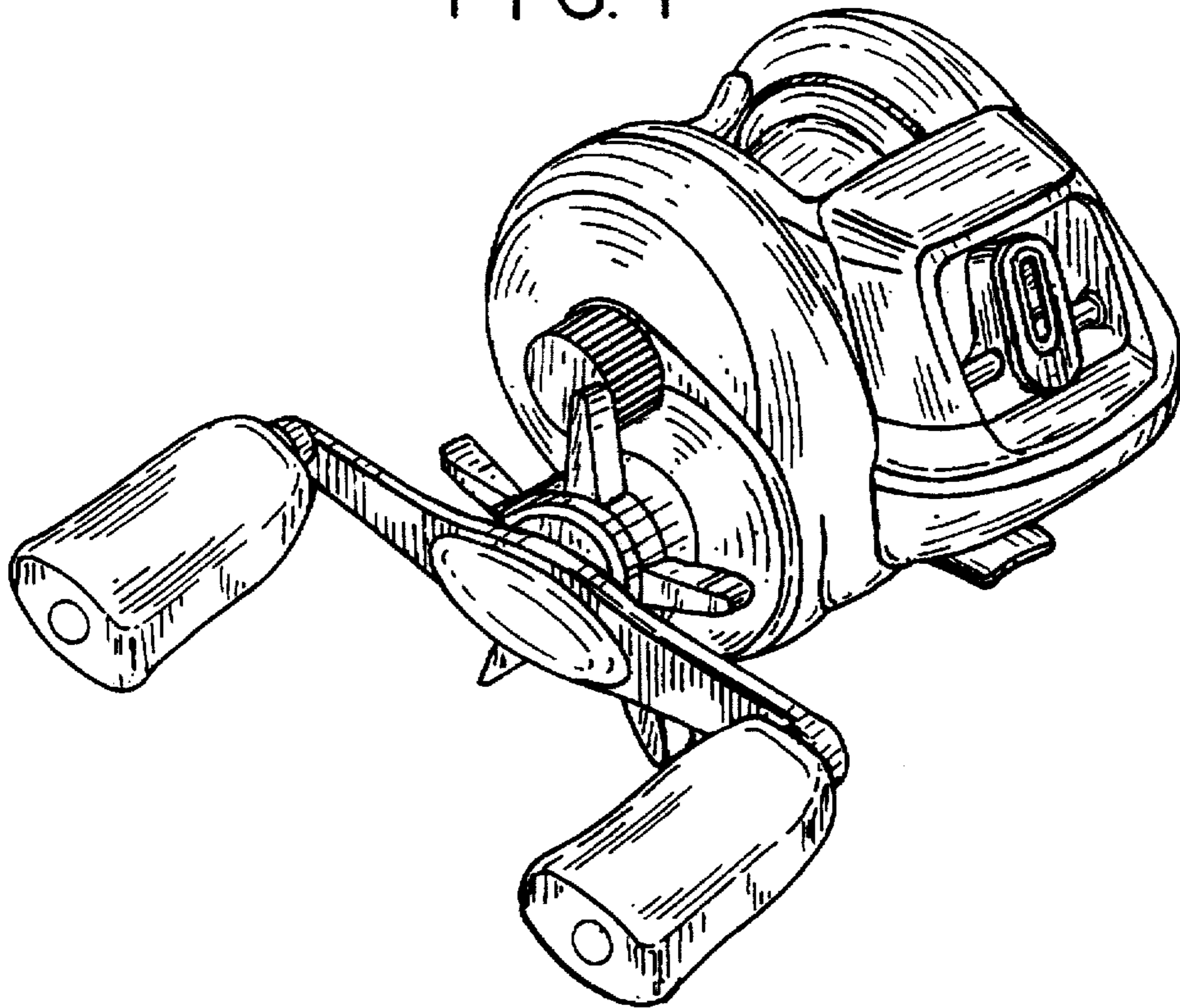


FIG. 2

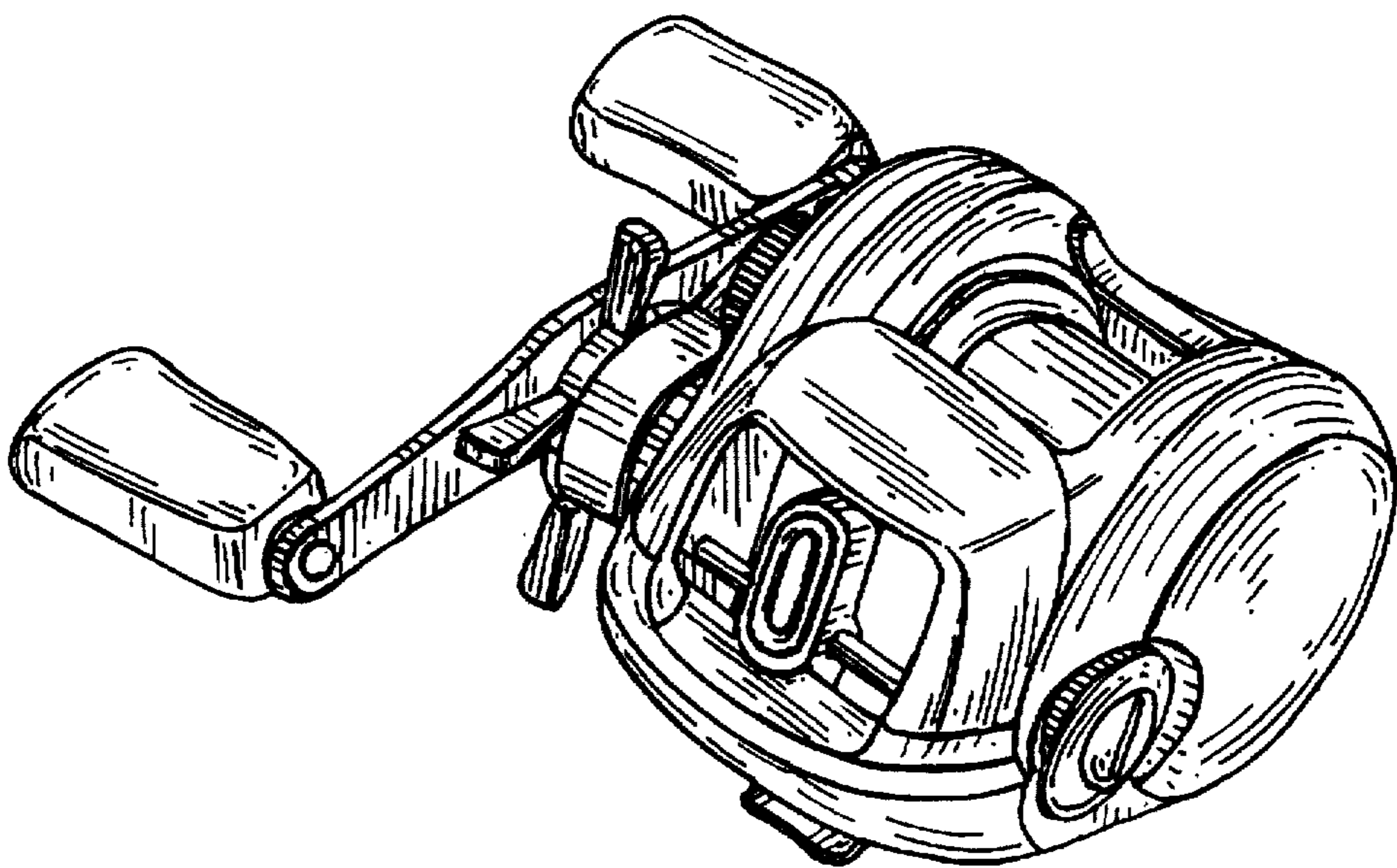


FIG. 3

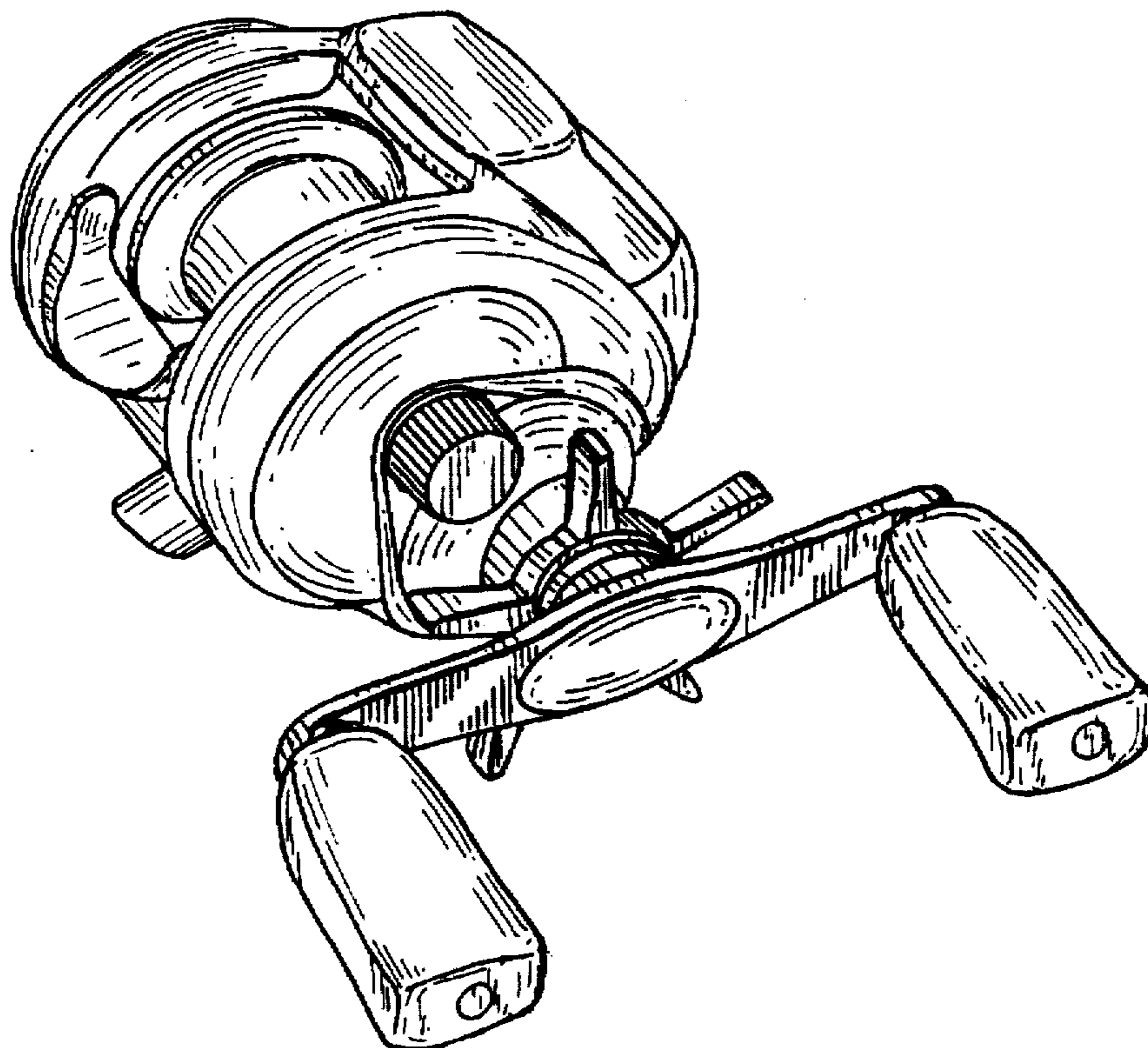


FIG. 4

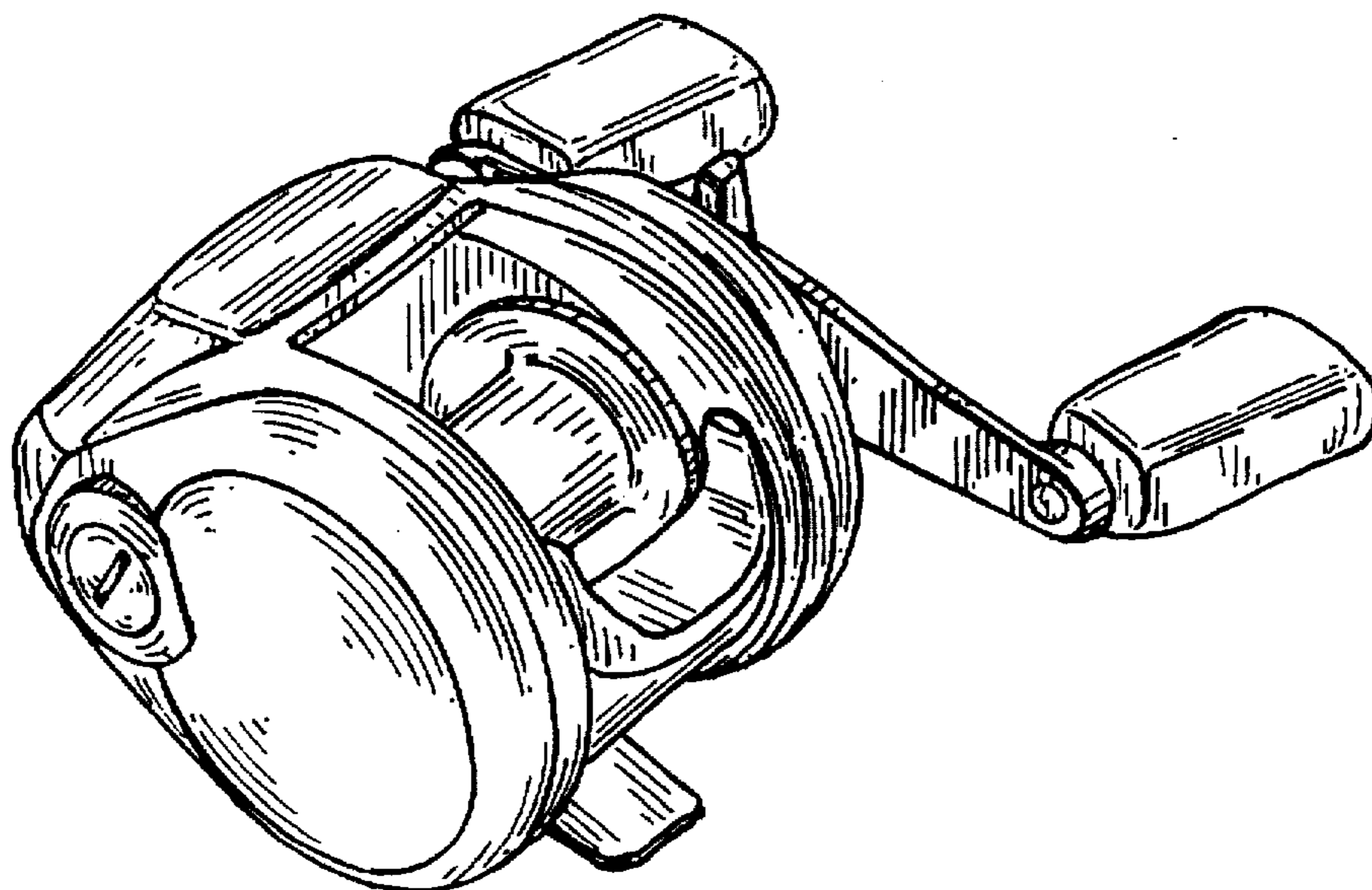


FIG. 5

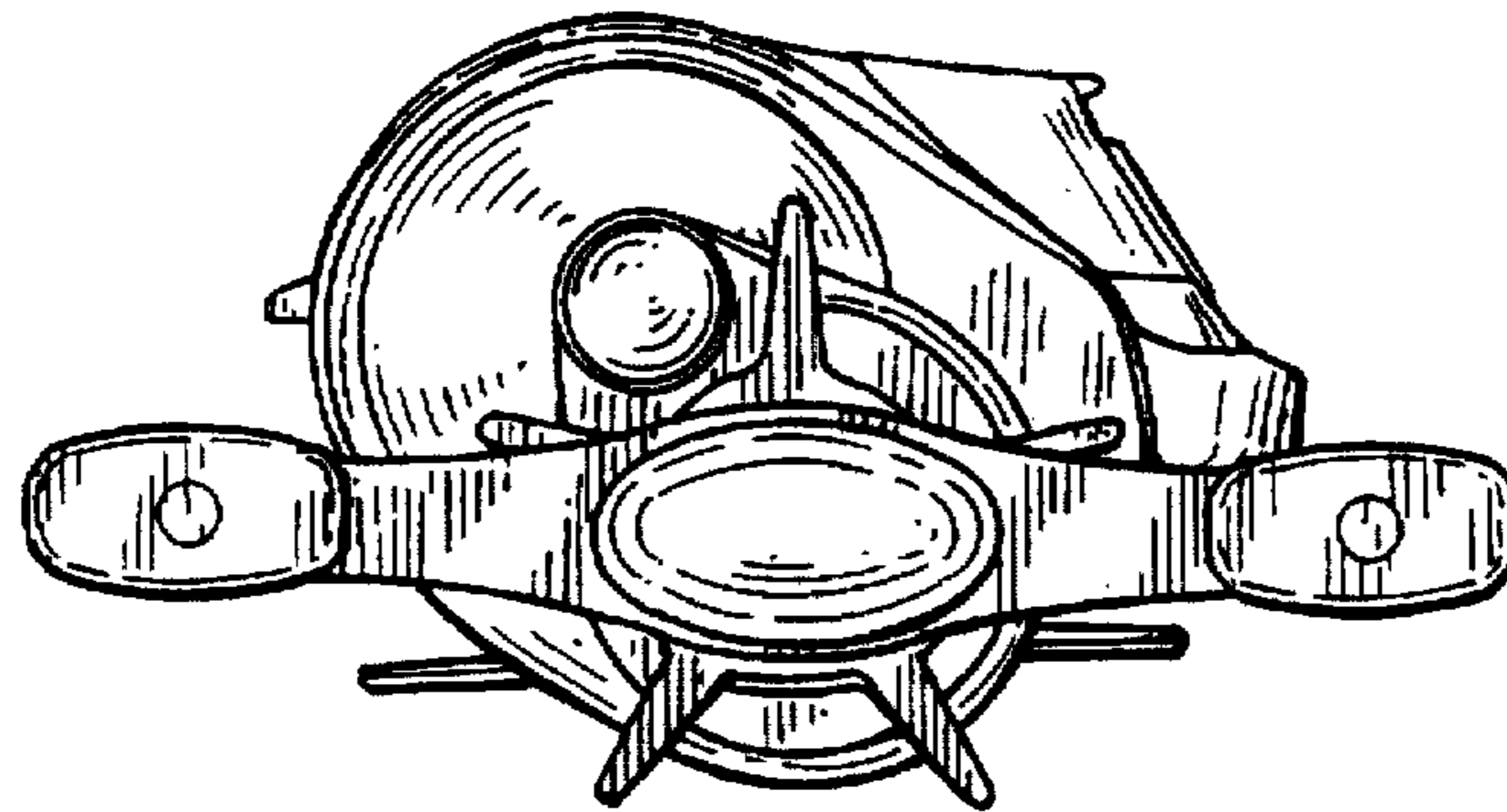


FIG. 6

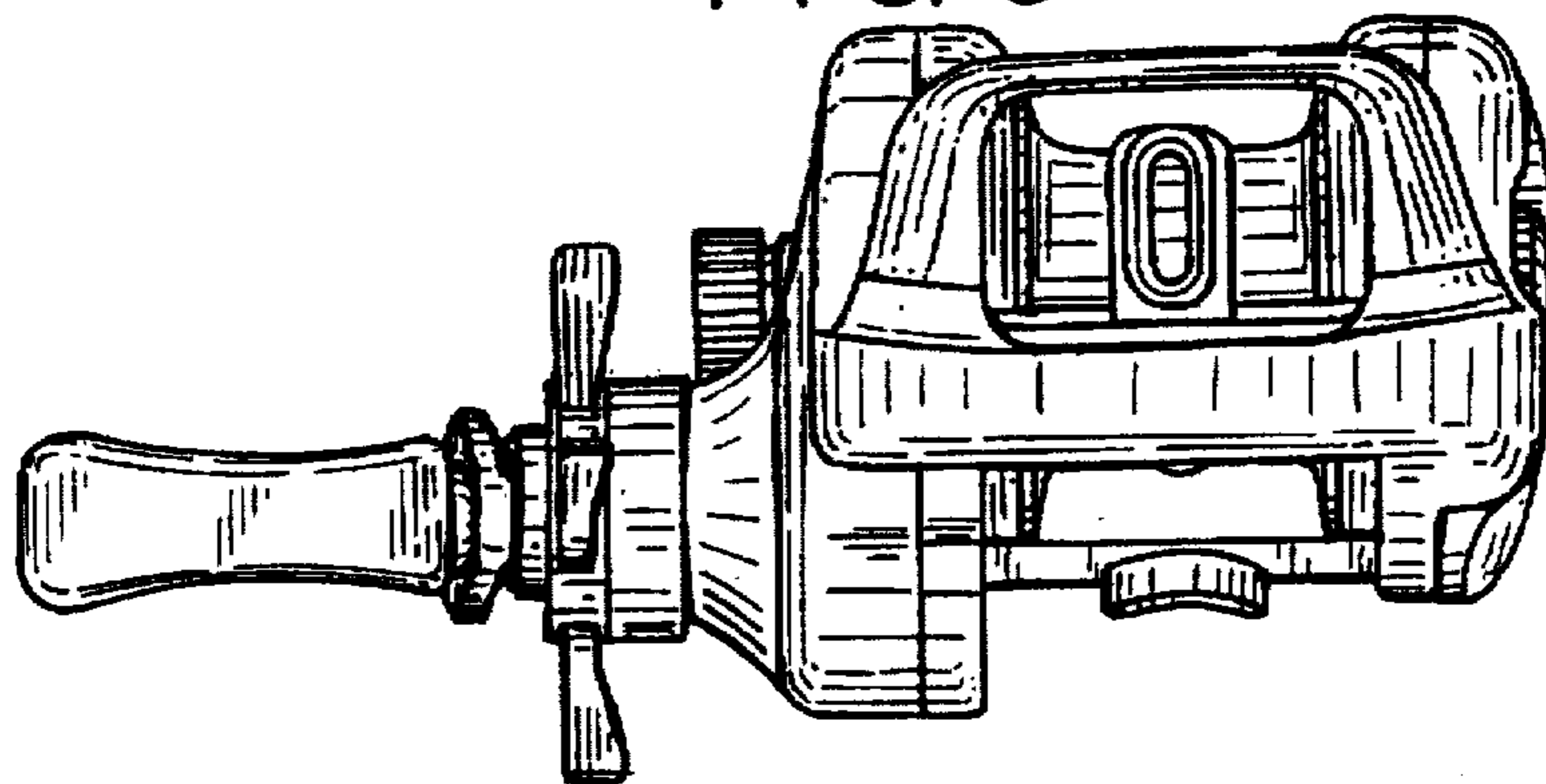


FIG. 7

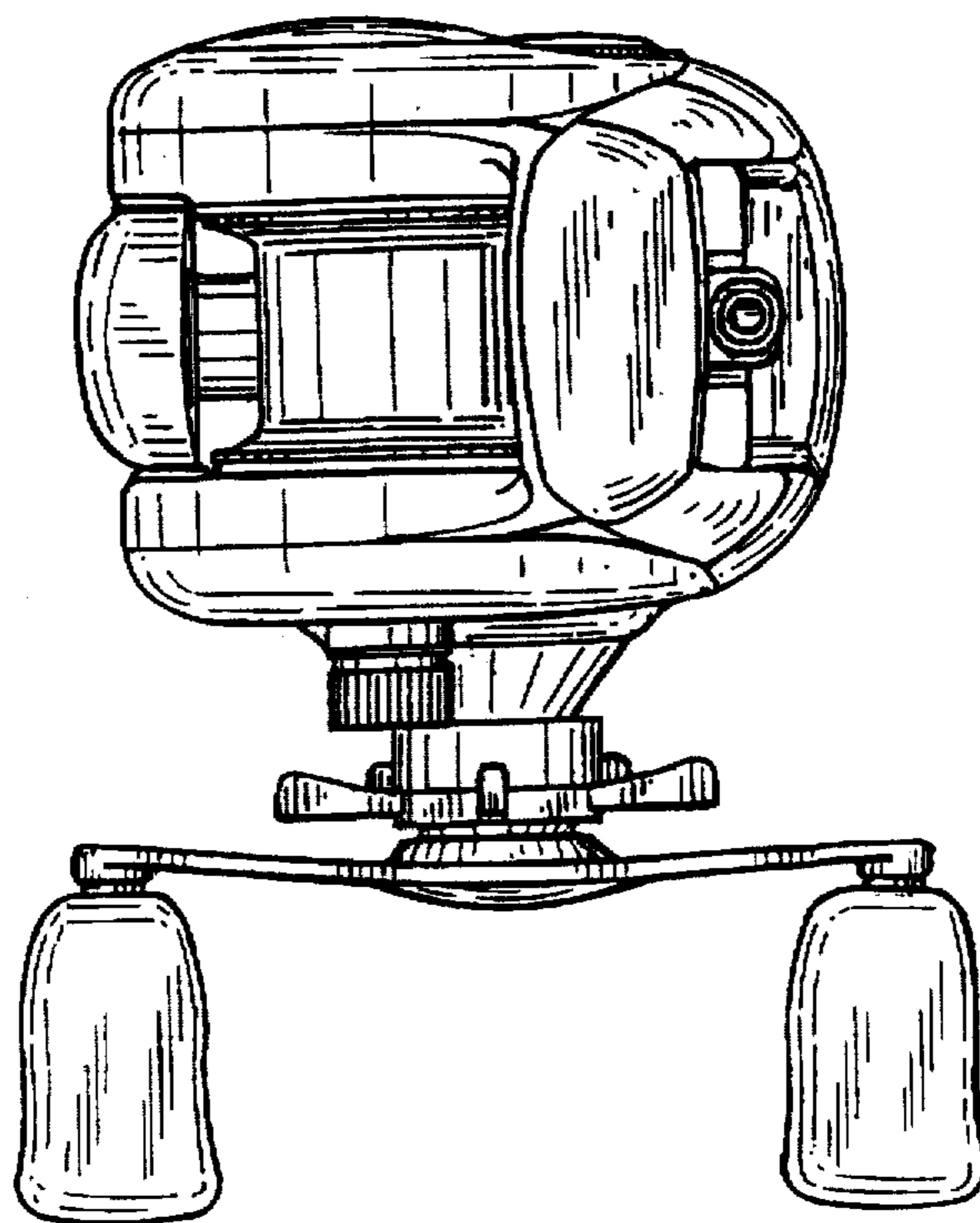


FIG. 8

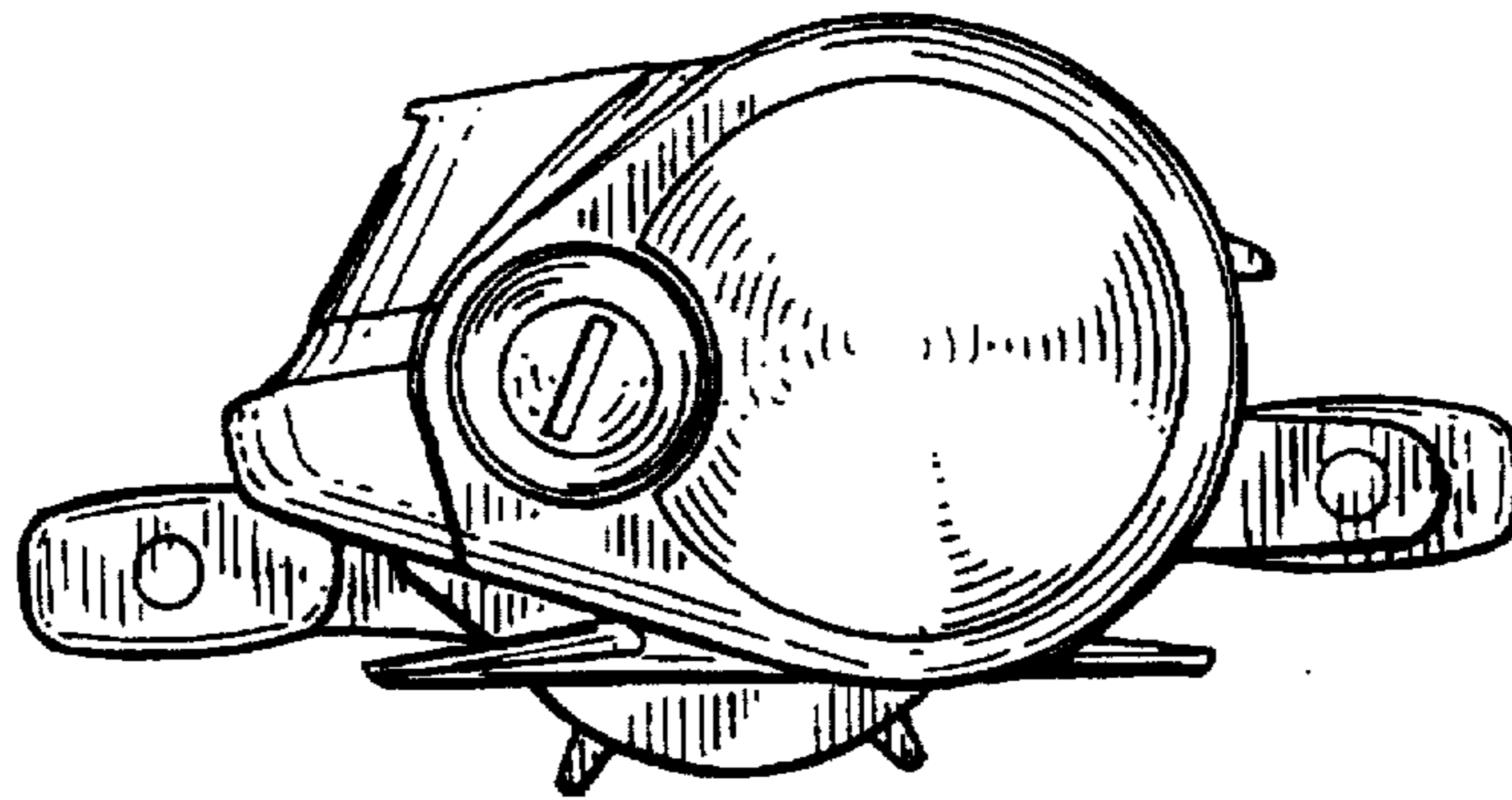


FIG. 9

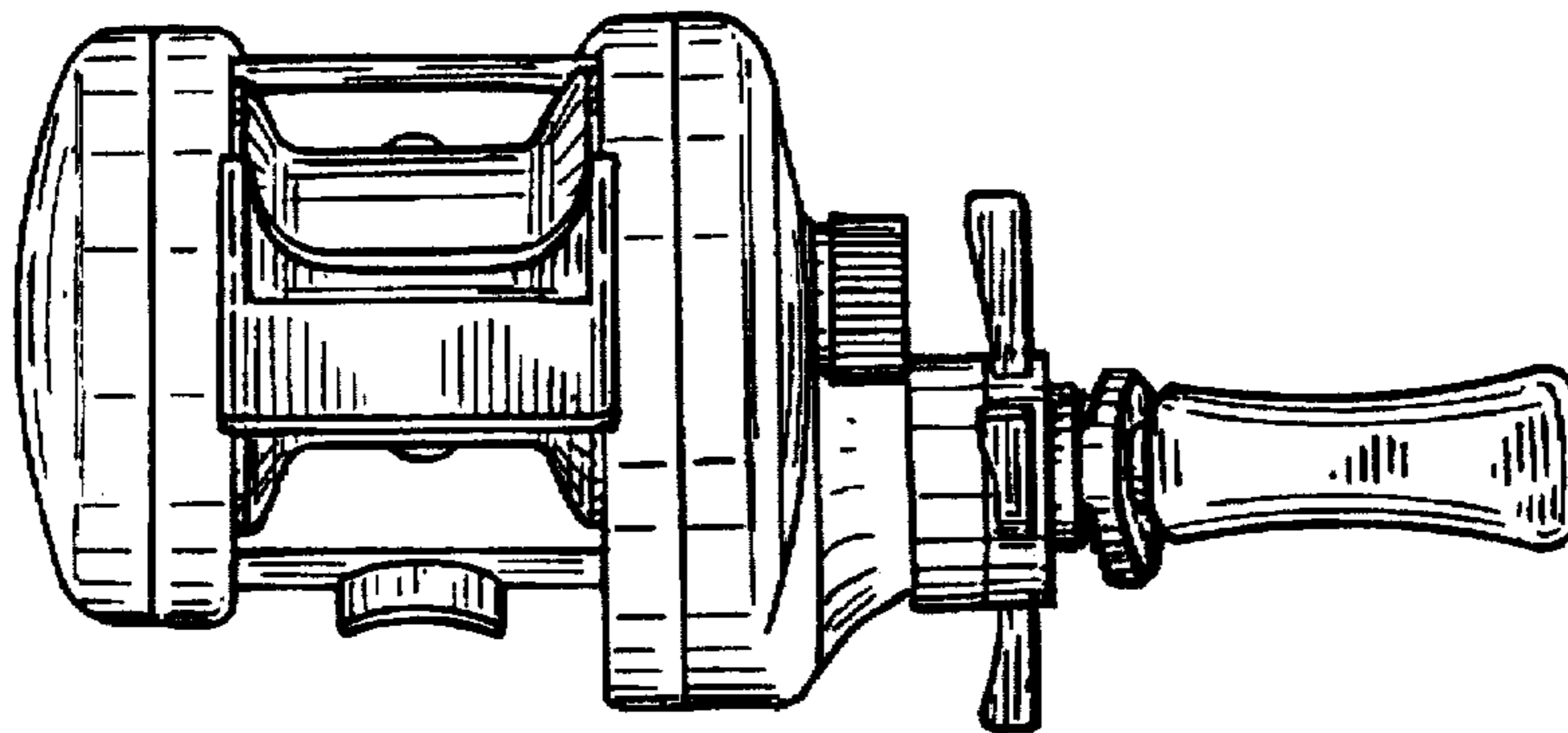


FIG. 10

