



US00D392365S

# United States Patent [19]

Demarest et al.

[11] Patent Number: **Des. 392,365**

[45] Date of Patent: **\*\*Mar. 17, 1998**

[54] **CRAWLING INSECT BAIT STATION**

[75] Inventors: **Scott W. Demarest**, Caledonia; **Charles Austen Angell**, Madison, both of Wis.

[73] Assignee: **S. C. Johnson & Son, Inc.**, Racine, Wis.

[\*\*] Term: **14 Years**

[21] Appl. No.: **60,302**

[22] Filed: **Sep. 18, 1996**

[51] LOC (6) Cl. .... **22-06**

[52] U.S. Cl. .... **D22/122**

[58] Field of Search ..... **D22/119, 122; 43/124, 131, 114, 121, 107**

[56] **References Cited**

**U.S. PATENT DOCUMENTS**

- D. 273,032 3/1984 Woodruff .
- D. 275,875 10/1984 Woodruff .

- D. 278,842 5/1985 Woodruff .
- D. 305,924 2/1990 Demarest ..... D22/122
- D. 306,895 3/1990 Mares ..... D22/122
- D. 324,406 3/1992 Brefka ..... D22/122
- D. 326,890 6/1992 Mares ..... D22/119
- 5,119,586 6/1992 Townsend ..... 43/114

*Primary Examiner*—Doris V. Coles

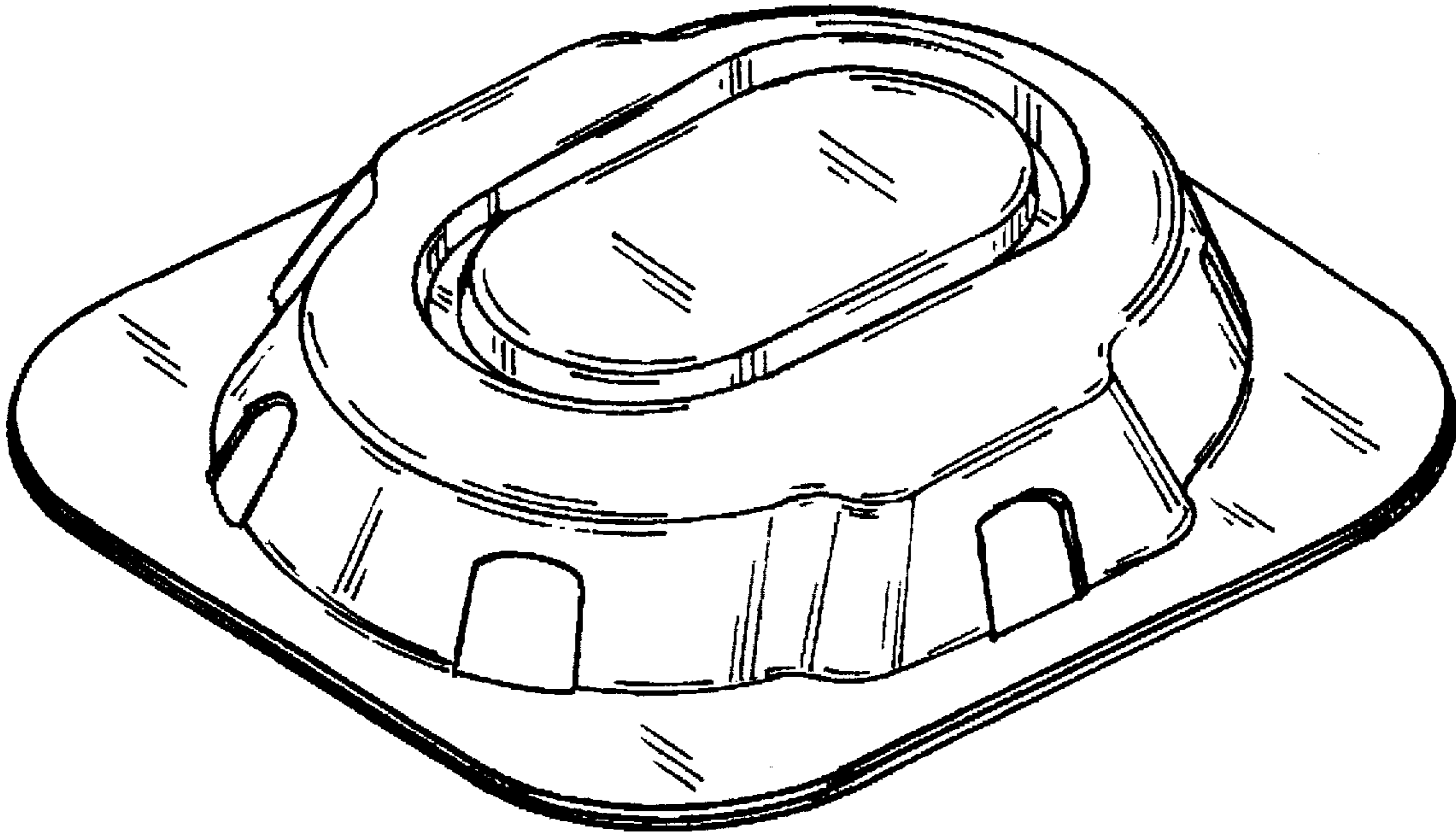
[57] **CLAIM**

The ornamental design for a crawling insect bait station, as shown and described.

**DESCRIPTION**

FIG. 1 is a front perspective view from above and to one side of a crawling insect bait station showing the new design; FIG. 2 is a front elevational view of the device of FIG. 1, the rear elevational view being identical thereof; FIG. 3 is a left side elevational view of the device of FIG. 1, the right side elevational view being identical thereto; FIG. 4 is a top plan view of the device of FIG. 1; and, FIG. 5 is a bottom plan view of the device of FIG. 1.

**1 Claim, 2 Drawing Sheets**



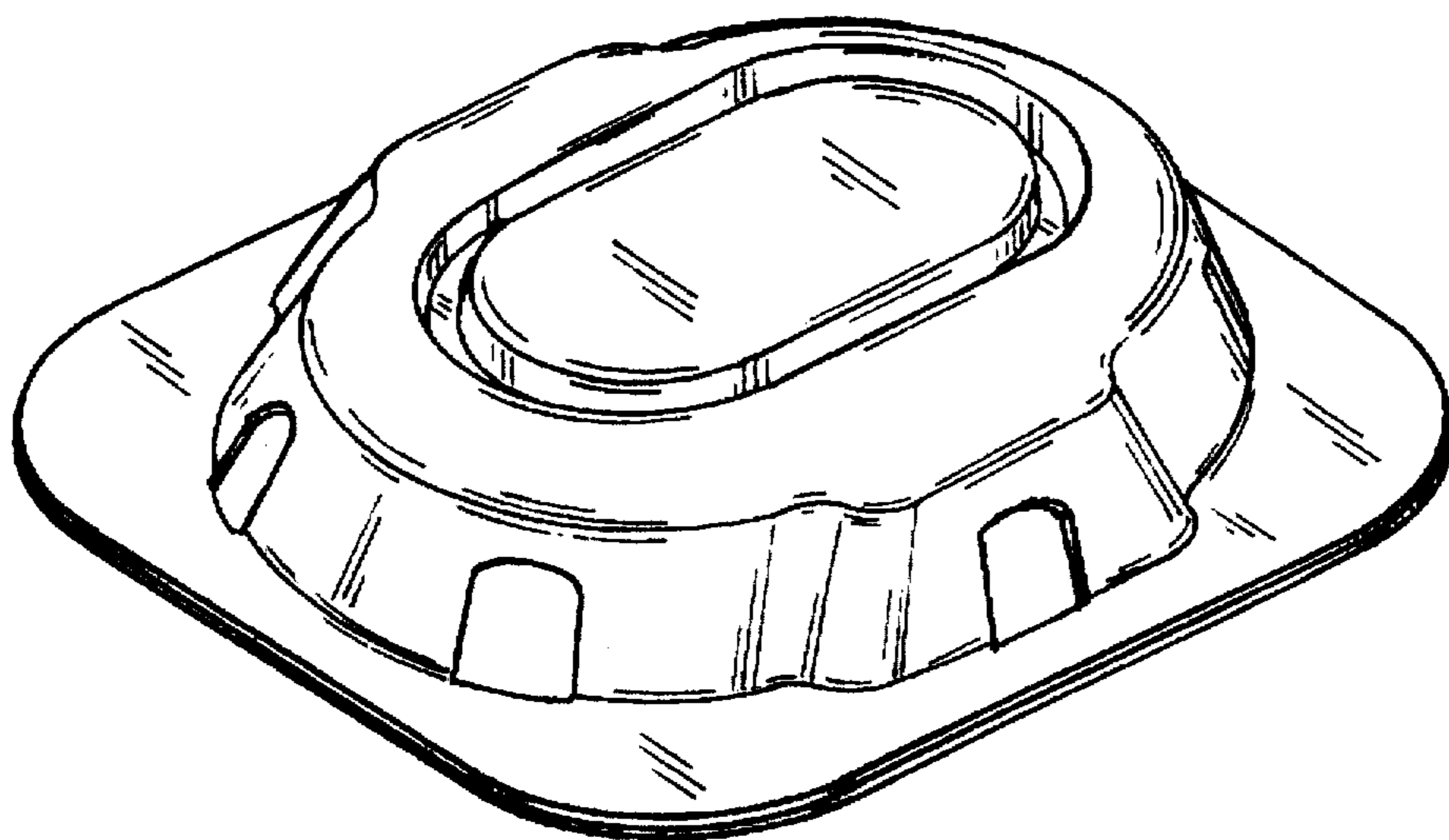


FIG. 1

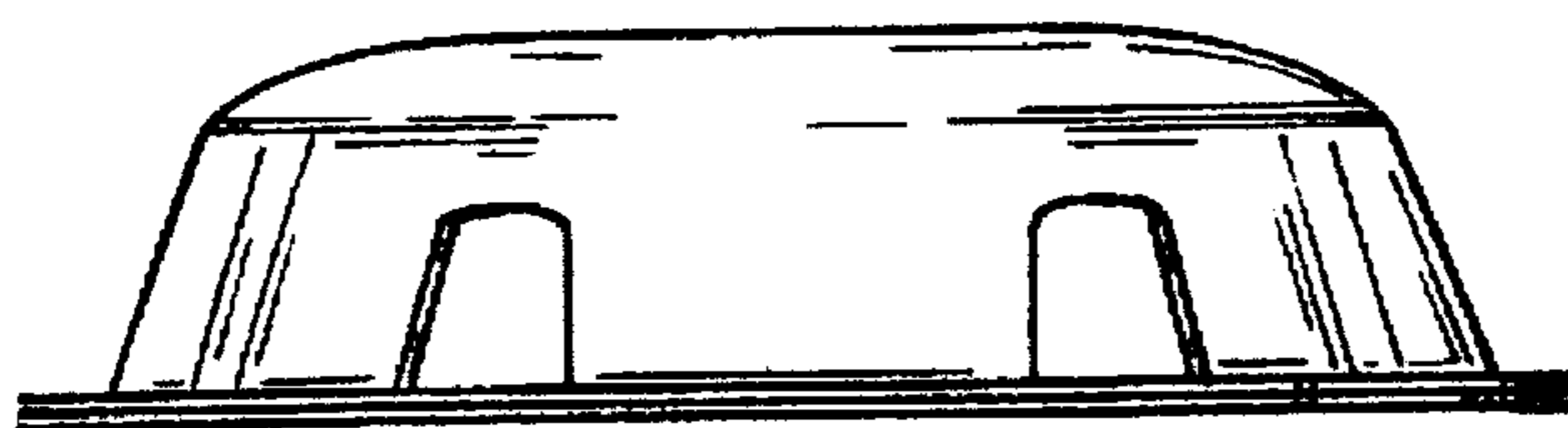


FIG. 2



FIG. 3

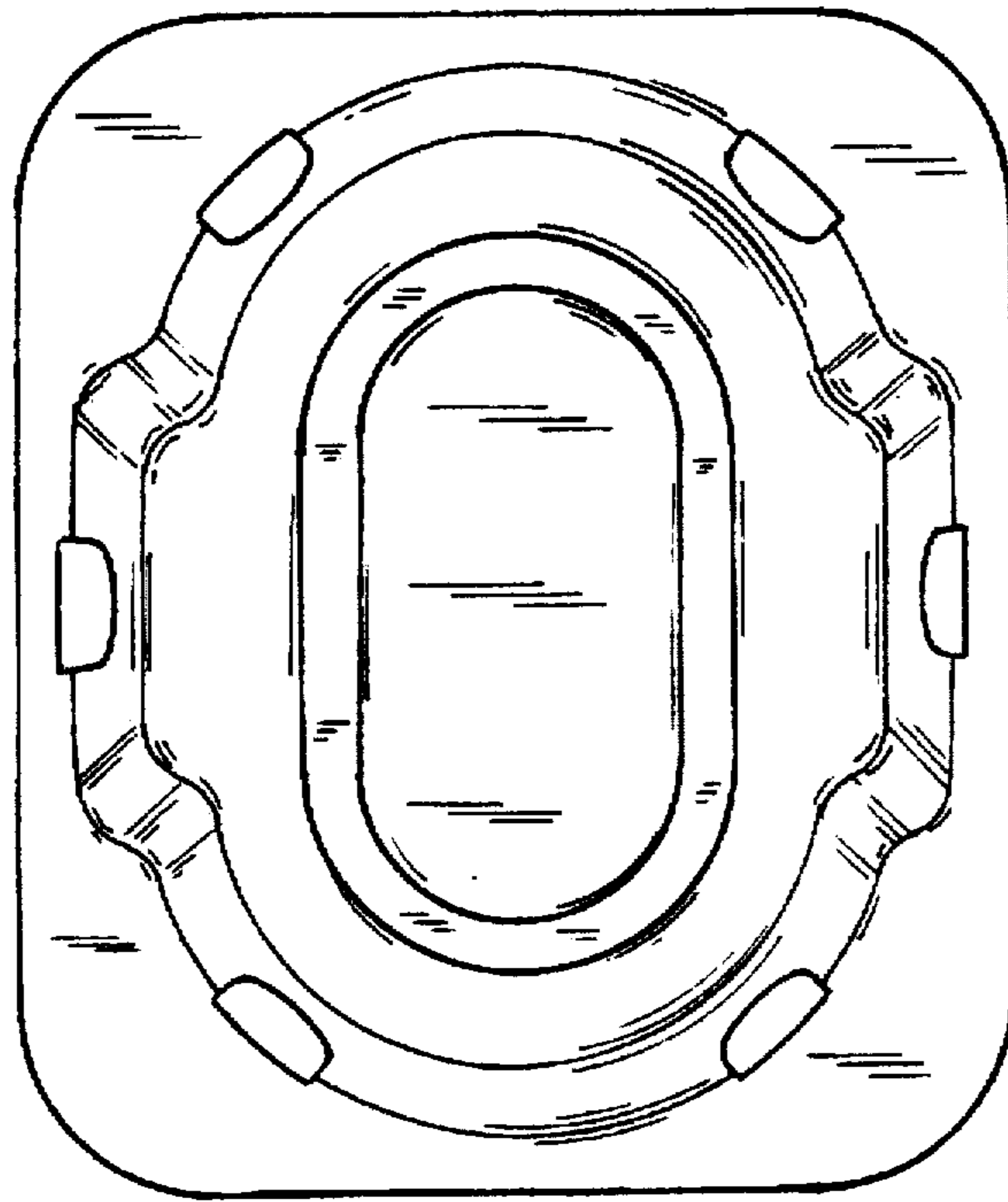


FIG. 4

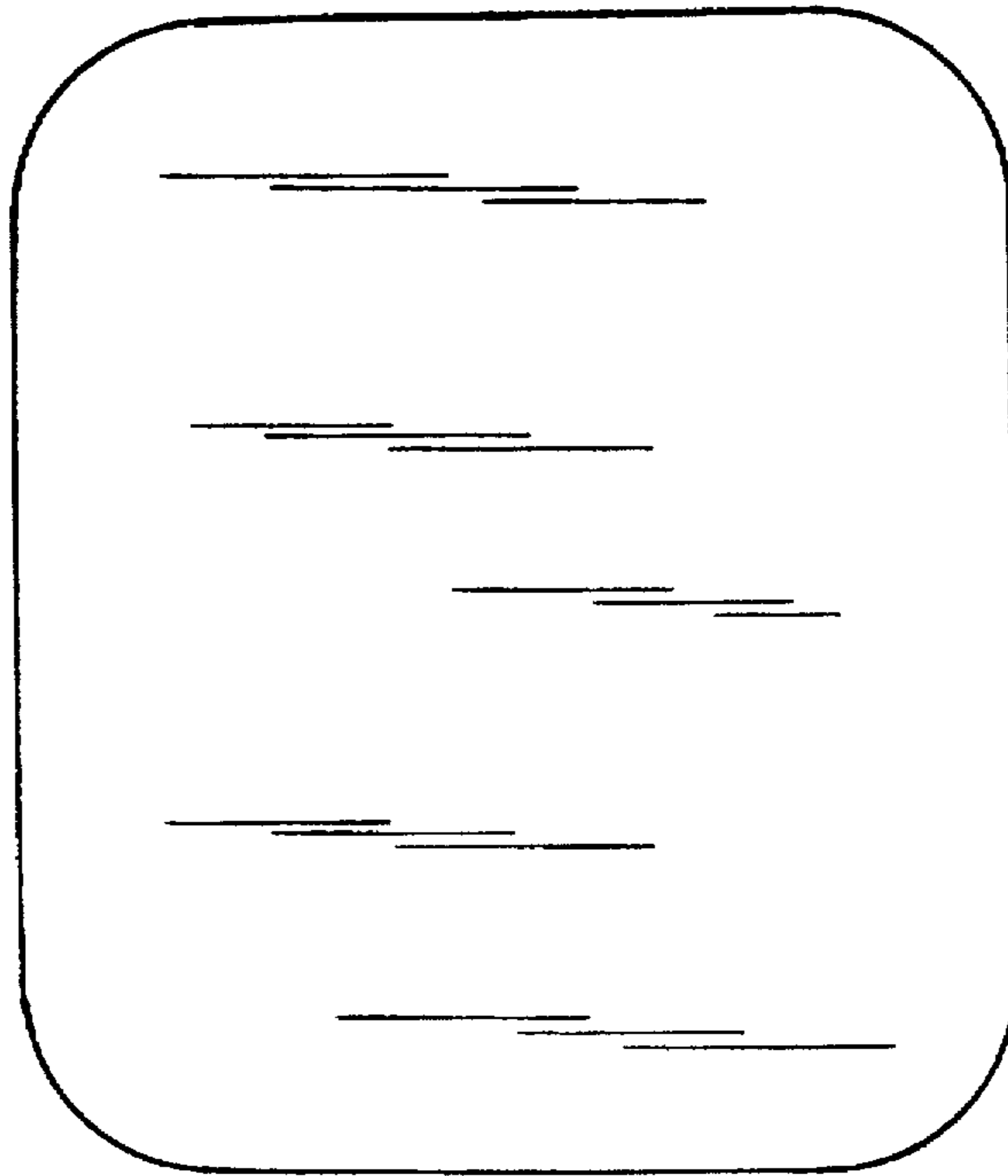


FIG. 5