



US00D392363S

United States Patent [19] Jonas

[11] Patent Number: **Des. 392,363**
[45] Date of Patent: ****Mar. 17, 1998**

[54] **CHILDREN'S SLIDE**
[75] Inventor: **Kenneth J. Jonas**, Janesville, Wis.
[73] Assignee: **Swing-N-Slide Corp.**, Janesville, Wis.
[**] Term: **14 Years**

3,755,878	9/1973	Henning	29/456
4,270,748	6/1981	Ray	272/56.5 R
4,379,551	4/1983	Ahrens	272/56.5 R
4,394,173	7/1983	Aste	104/69
4,487,411	12/1984	Ahrens	272/56.5 R
4,811,943	3/1989	Ahrens	272/56.5 R
4,932,648	6/1990	Ahrens	272/56.5 R

[21] Appl. No.: **67,329**
[22] Filed: **Feb. 28, 1997**

Related U.S. Application Data

[62] Division of Ser. No. 514,210, Aug. 11, 1995, abandoned.
[51] LOC (6) Cl. **21-03**
[52] U.S. Cl. **D21/244**
[58] Field of Search D21/240-246;
472/116, 117; 482/35

OTHER PUBLICATIONS

Game Time brochure; p. 52; item 10, Banana Slide, upper left corner of page, 1993.
Do-It-Yourself Swing-N-Slide, "10' Cool Wave Slide," p. 29, Swing-N-Slide Corp., Janesville, Wisconsin (Nov. 1992).

Primary Examiner—Ted Shooman
Assistant Examiner—Mitchell I. Siegel
Attorney, Agent, or Firm—Lathrop & Clark

[56] References Cited

U.S. PATENT DOCUMENTS

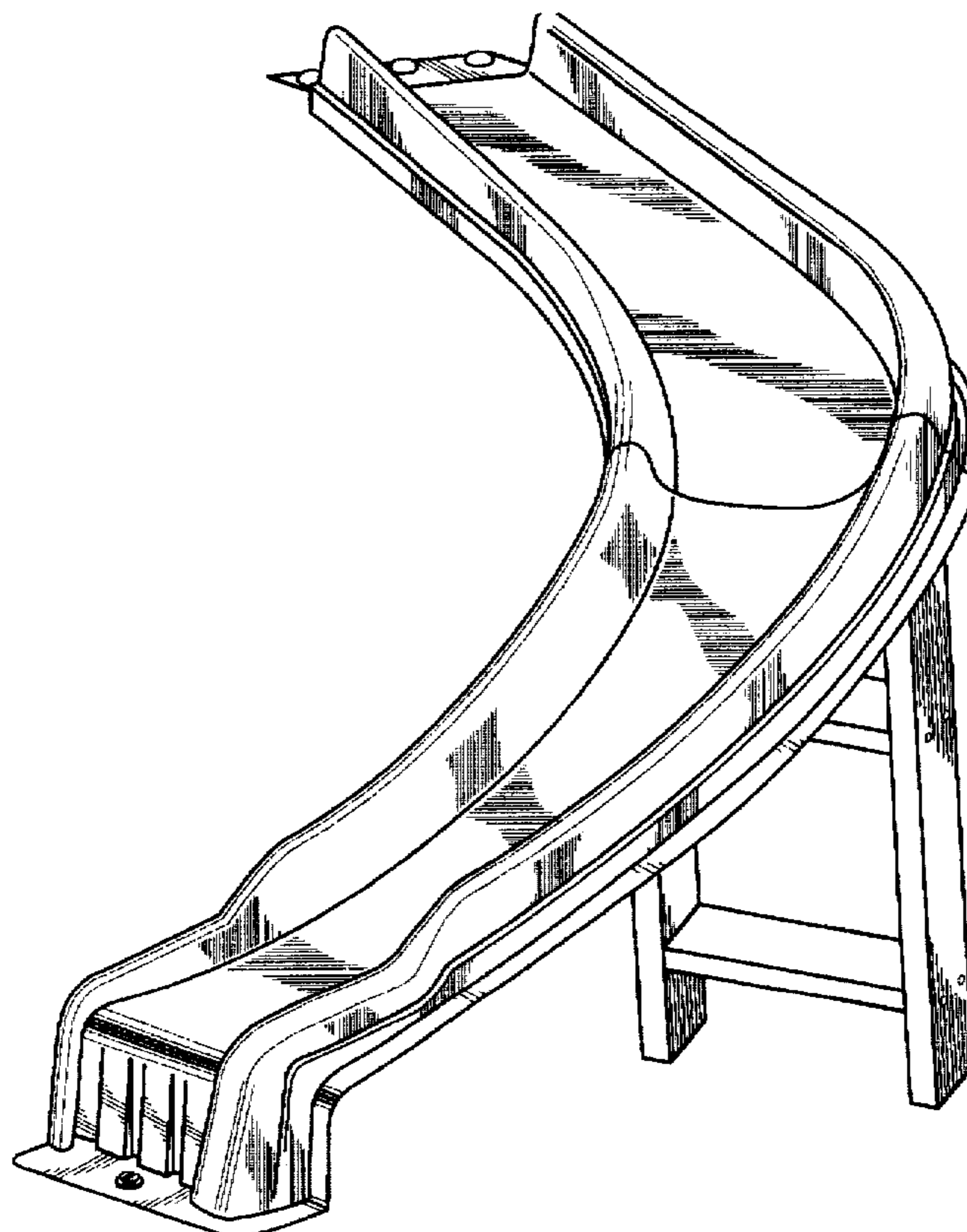
D. 213,271	1/1969	Gale .	
D. 218,625	9/1970	Ahrens .	
D. 330,743	11/1992	Mercer	D21/244
D. 336,674	6/1993	Baer	D21/244
D. 375,775	11/1996	King	D21/244
506,238	10/1893	Kirken .	
803,119	10/1905	Logan .	
916,100	3/1909	Brown .	
1,544,555	7/1925	Chase .	
1,594,444	8/1926	Bernardy .	
3,083,015	3/1963	Barenholtz et al. .	
3,273,887	9/1966	Grudoski .	

[57] **CLAIM**
The ornamental design for a children's slide, as shown and described.

DESCRIPTION

FIG. 1 is a front isometric view of the children's slide of this invention;
FIG. 2 is a front elevational view thereof;
FIG. 3 is a top plan view thereof; and,
FIG. 4 is a side elevational view thereof.
The broken line showing on FIGS. 2-4 is for illustrative purposes only and forms no part of the claimed design.

1 Claim, 4 Drawing Sheets



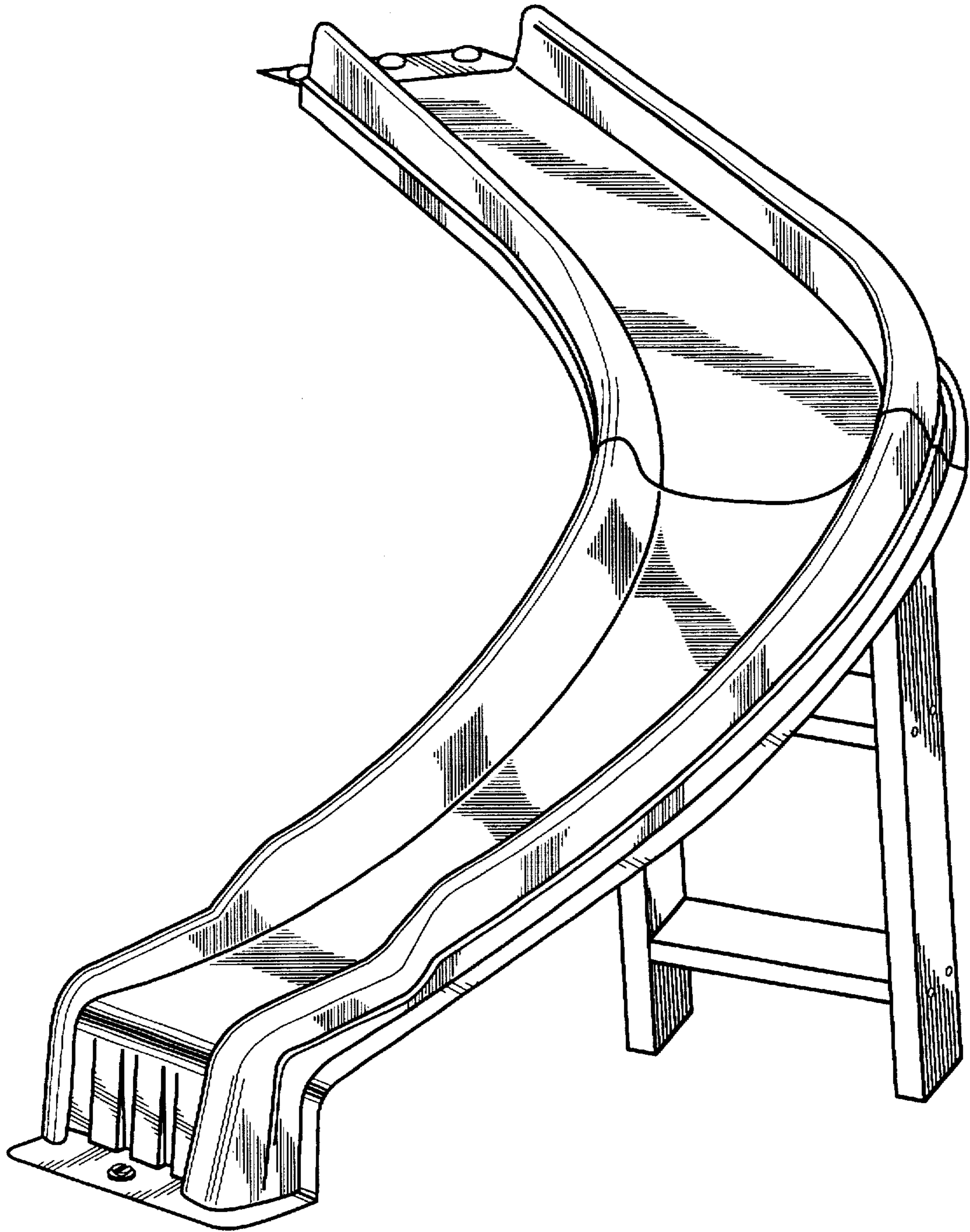


Fig. 1

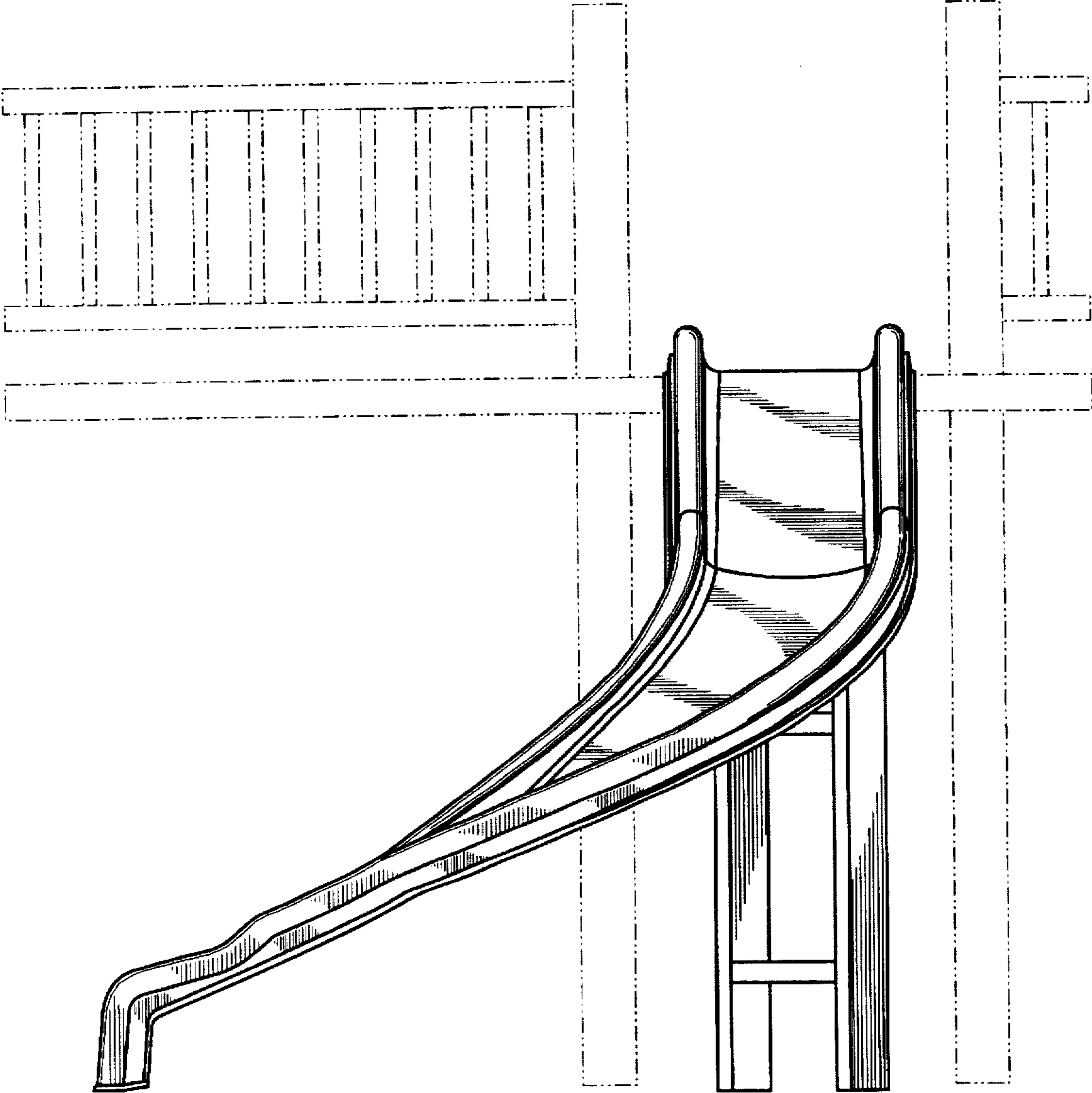
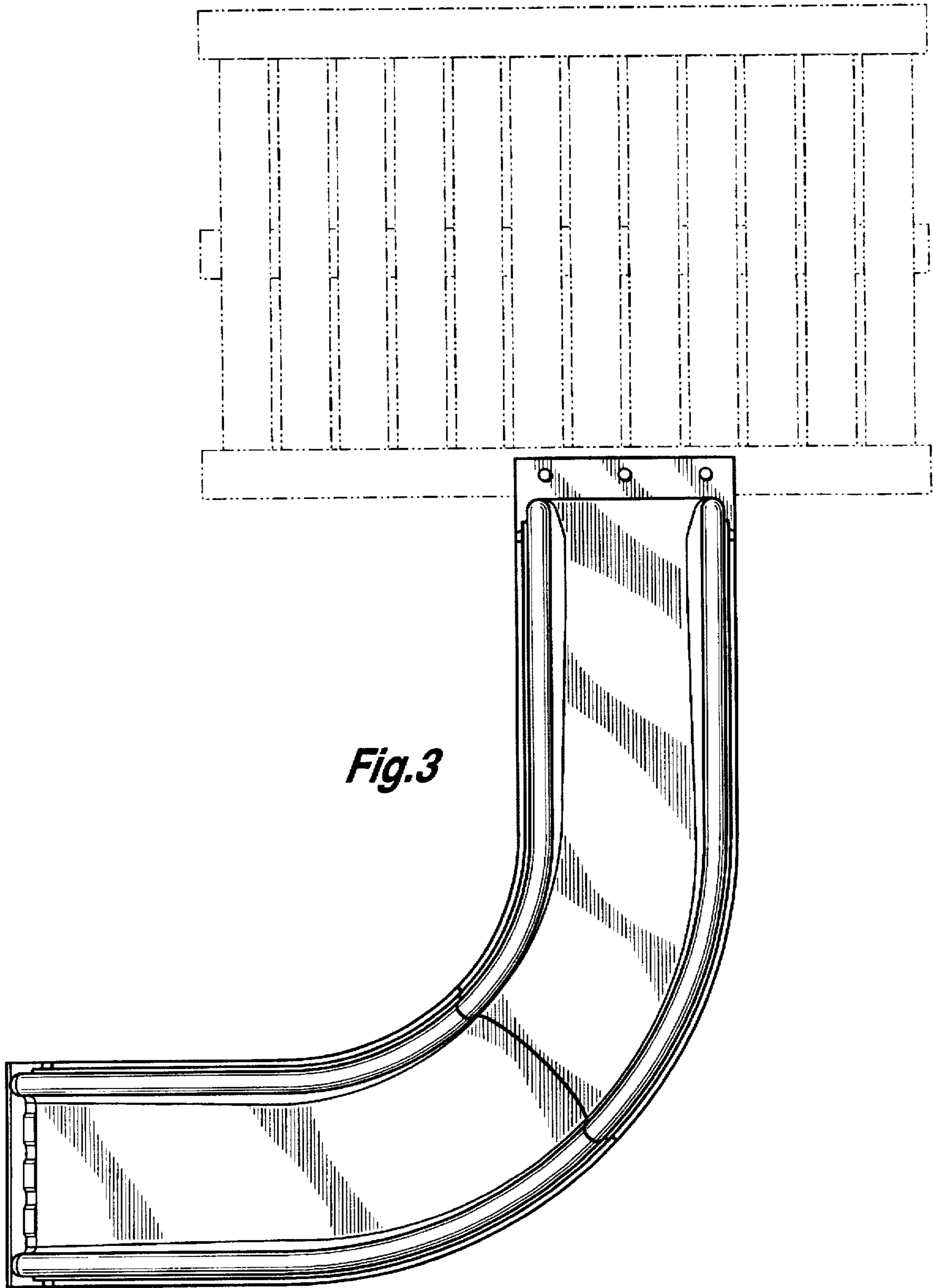


Fig.2



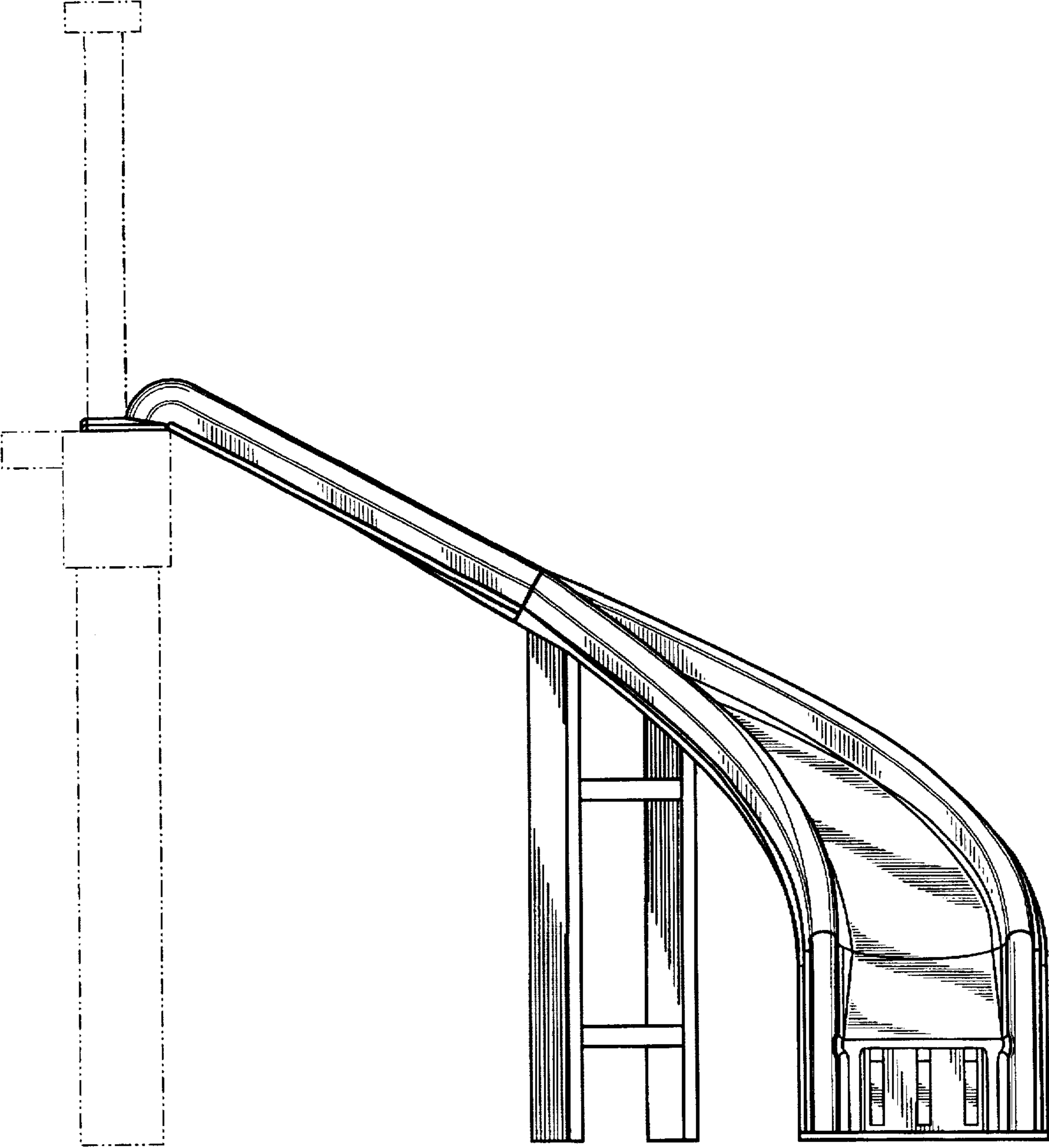


Fig.4