

US00D392355S

# United States Patent [19]

Ramirez et al.

[11] Patent Number: **Des. 392,355**

[45] Date of Patent: **\*\*Mar. 17, 1998**

[54] **GOLF CLUB PUTTER HEAD**

D. 357,043 4/1995 Turner ..... D21/217  
D. 375,131 10/1996 Williams ..... D21/219

[76] Inventors: **Stan L. Ramirez**, 7005 Santa Rita Ct.,  
Fort Worth, Tex. 76133; **Louis P. Spartin**, P.O. Box 16704, Forth Worth,  
Tex. 76162

*Primary Examiner*—Ted Shooman  
*Assistant Examiner*—Mitchell I. Siegel  
*Attorney, Agent, or Firm*—Wenderoth, Lind & Ponack

[\*\*] Term: **14 Years**

[57] **CLAIM**

[21] Appl. No.: **57,933**

The ornamental design for a golf club putter head, as shown and described.

[22] Filed: **Aug. 5, 1996**

### DESCRIPTION

[51] LOC (6) Cl. .... **21-02**

[52] U.S. Cl. .... **D21/219**

[58] Field of Search ..... D21/217-219;  
473/251-256, 340, 341

FIG. 1 is a front elevational view of a golf club putter head showing our new design;

FIG. 2 is a left side elevational view thereof, the right side elevational view being a mirror image thereof;

FIG. 3 is a rear elevational view thereof;

FIG. 4 is a top plan view thereof; and,

FIG. 5 is a bottom plan view thereof.

[56] **References Cited**

#### U.S. PATENT DOCUMENTS

D. 213,507 3/1969 Koenig ..... D21/217  
D. 335,691 5/1993 Barker et al. .... D21/217

**1 Claim, 2 Drawing Sheets**

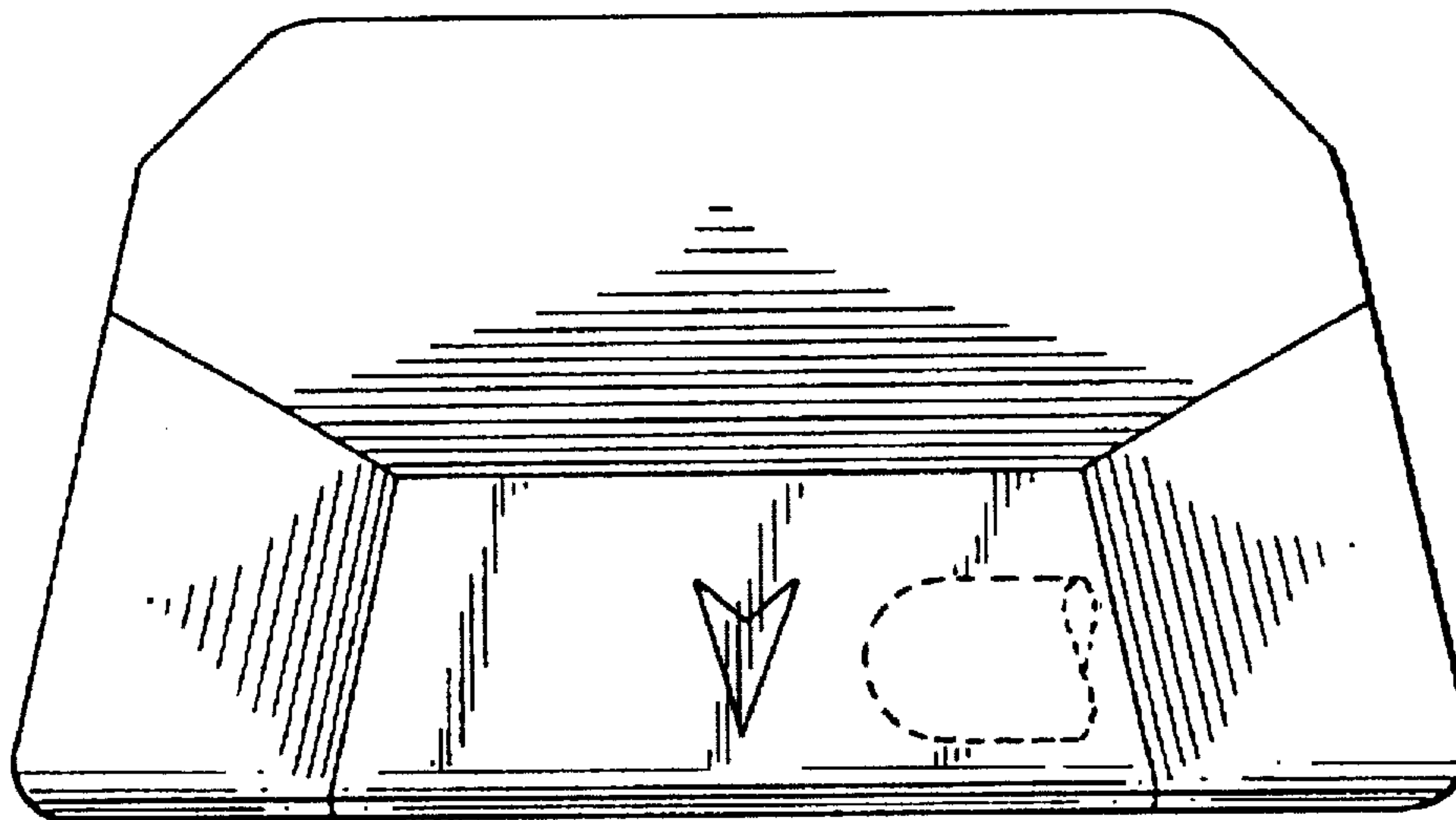
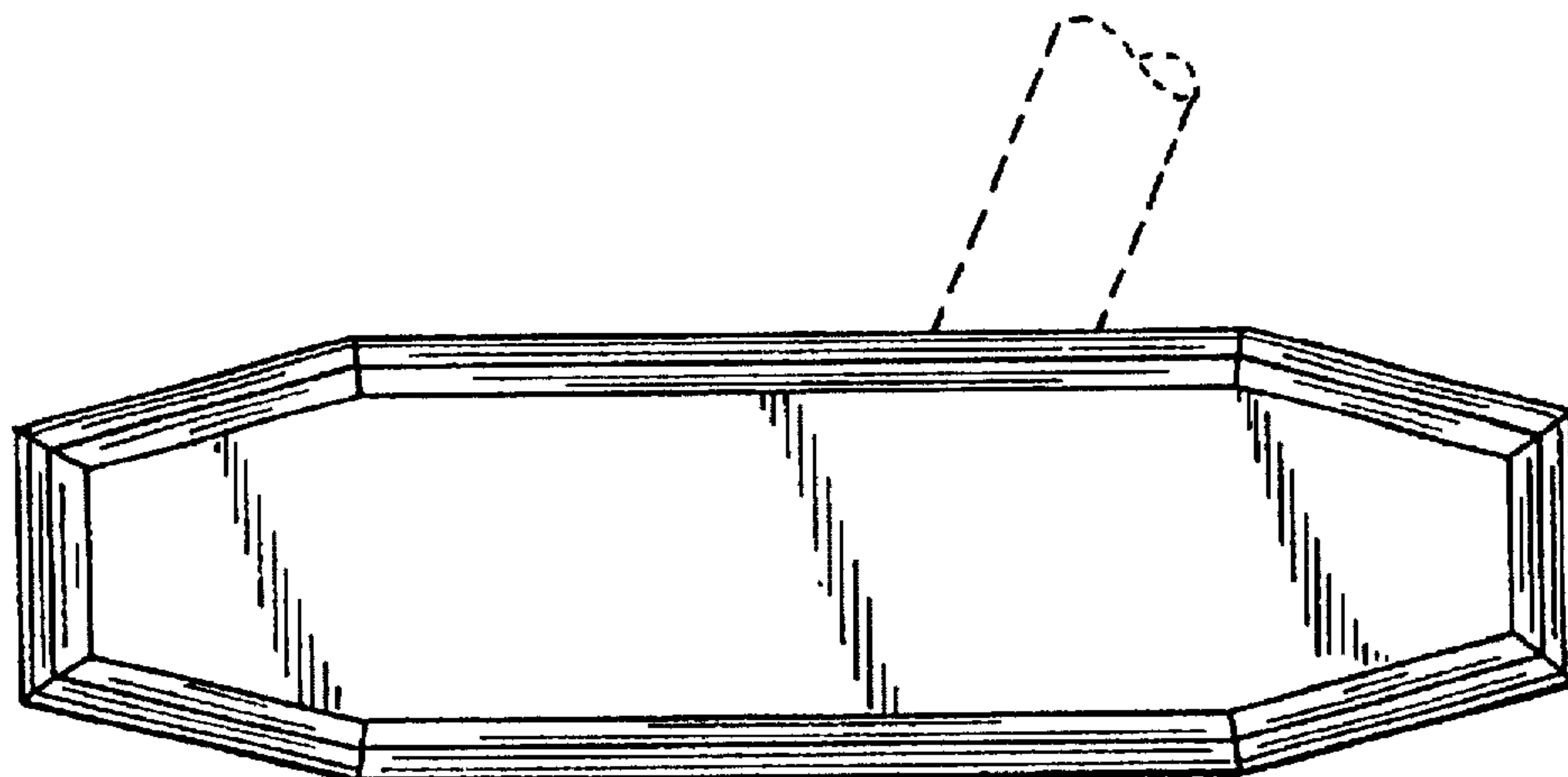


FIG. 1

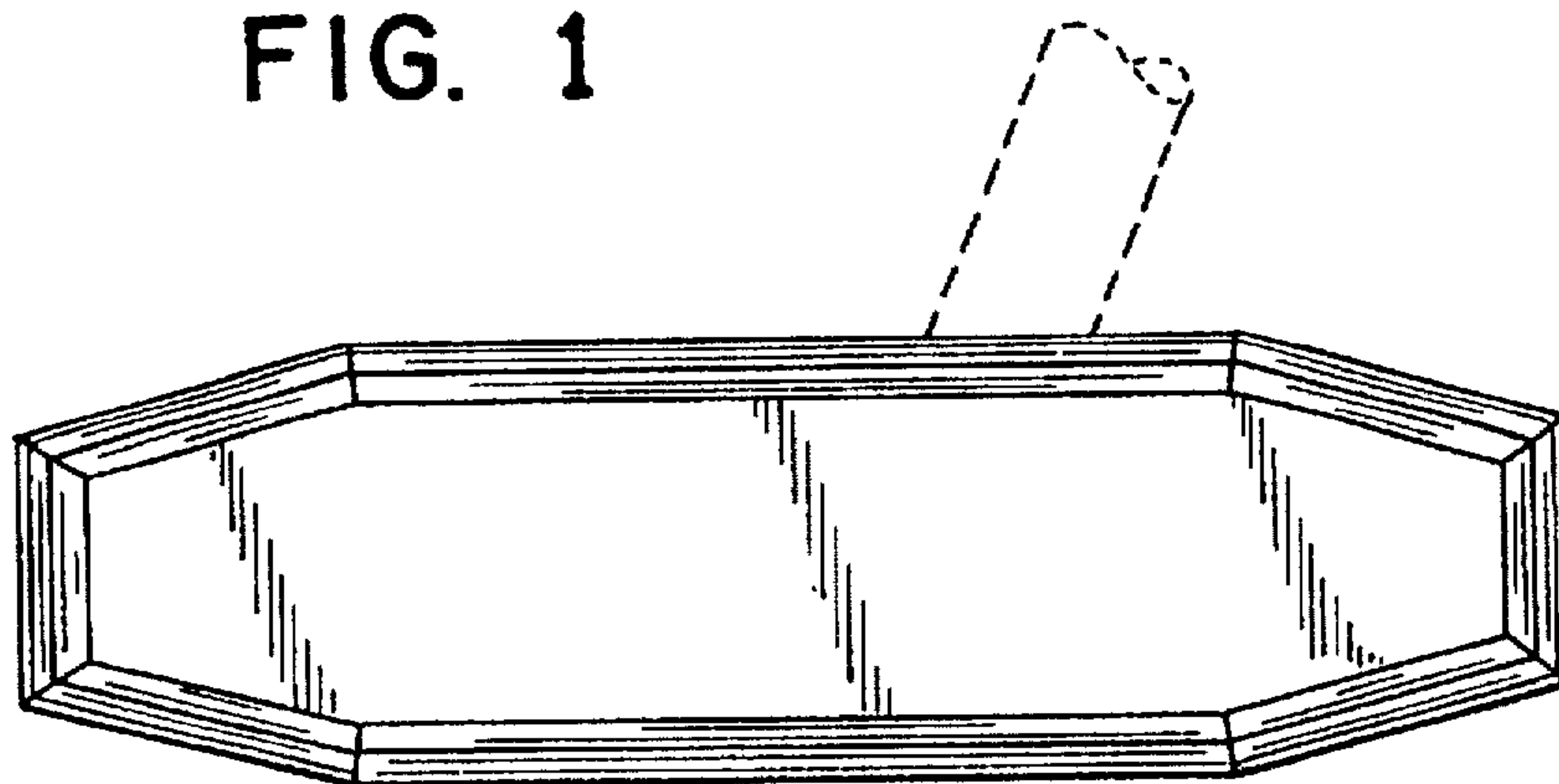


FIG. 2

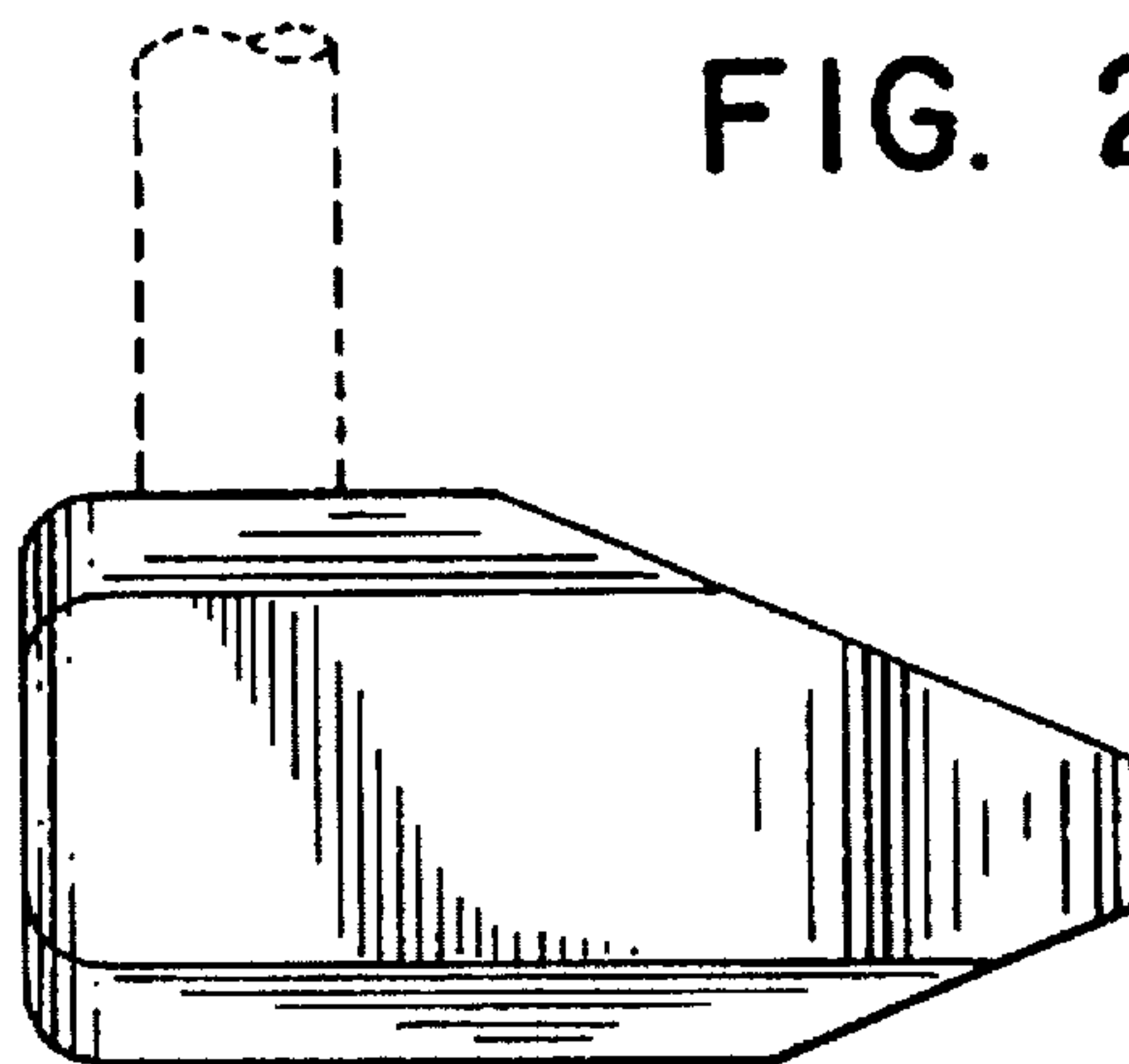


FIG. 3

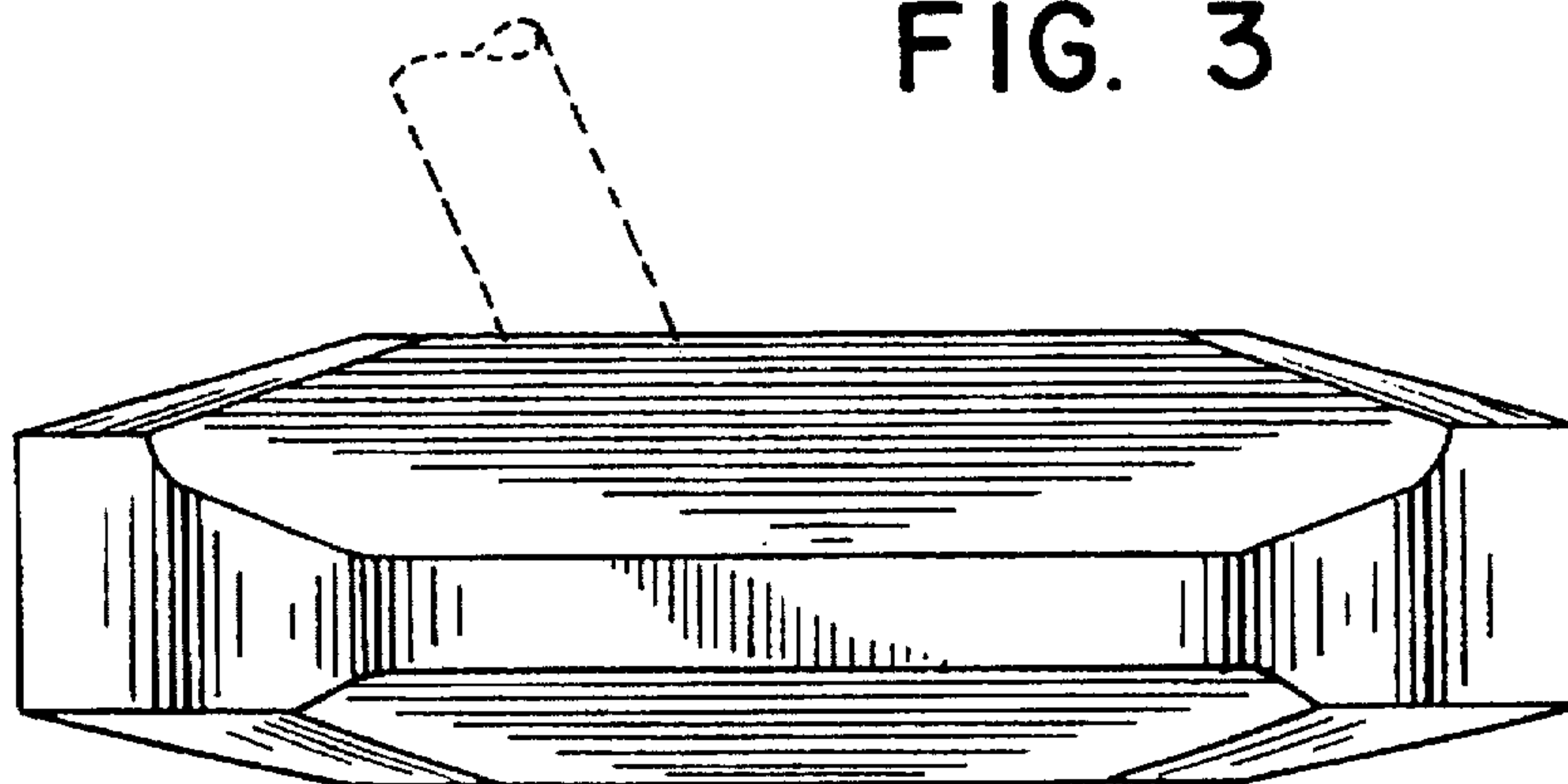


FIG. 4

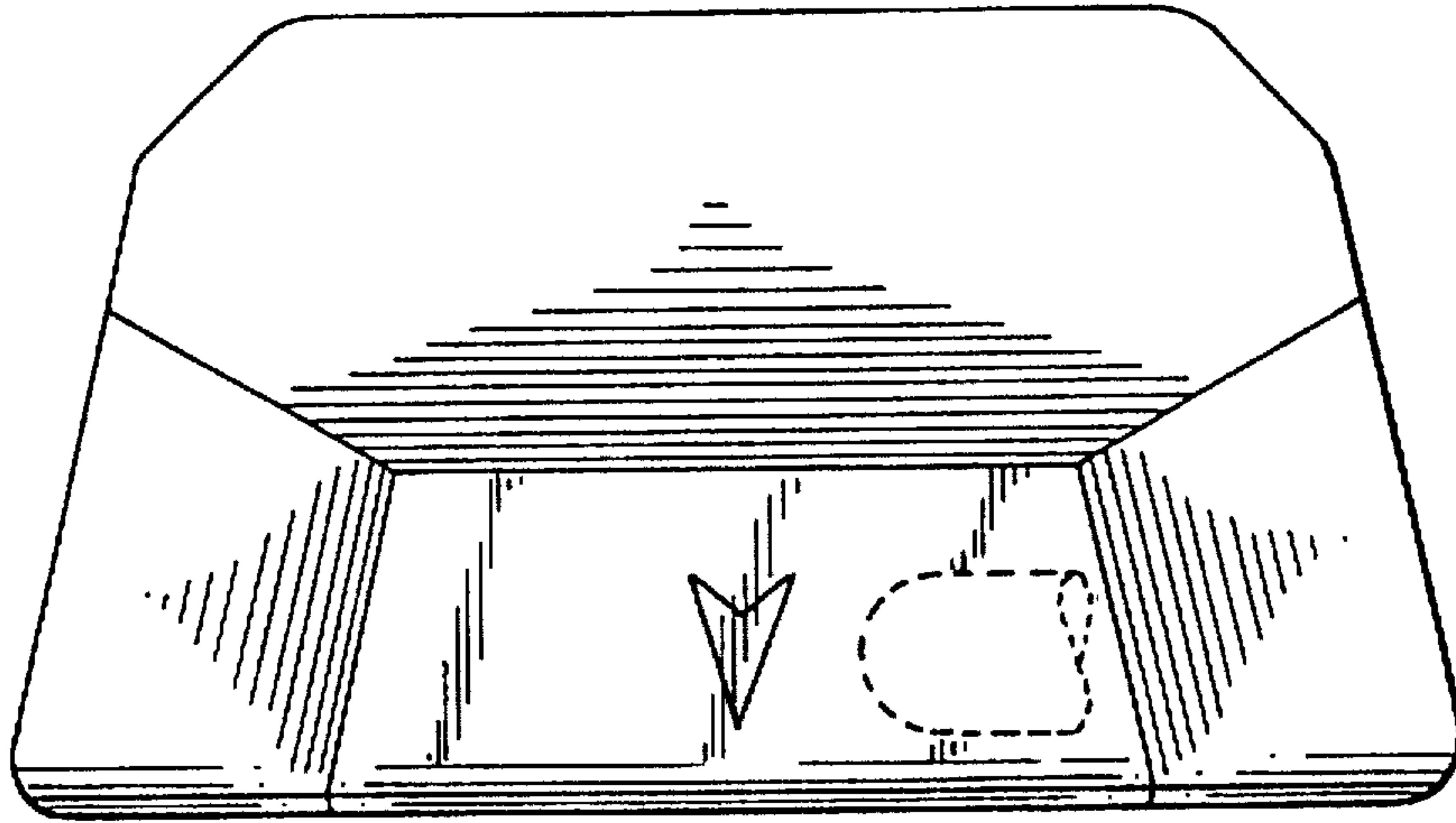


FIG. 5

