



US00D392354S

# United States Patent [19] Burrows

[11] Patent Number: **Des. 392,354**  
[45] Date of Patent: **\*\*Mar. 17, 1998**

- [54] **WOOD-TYPE HEAD FOR A GOLF CLUB**
- [76] Inventor: **Bruce D. Burrows**, 25555 W. Avenue  
Stanford, Valencia, Calif. 91355-1101
- [\*\*] Term: **14 Years**
- [21] Appl. No.: **68,739**
- [22] Filed: **Mar. 31, 1997**
- [51] LOC (6) Cl. .... **21-02**
- [52] U.S. Cl. .... **D21/214**
- [58] Field of Search ..... D21/214, 217-219;  
473/327, 328, 343, 344

3,374,027	3/1968	Jacobs .	
4,511,145	4/1985	Schmidt .....	473/346
5,042,806	8/1991	Helmstetter .....	473/311
5,611,741	3/1997	Schmidt et al. ....	473/328

*Primary Examiner*—Raphael Barkai  
*Assistant Examiner*—Mitchell I. Siegel  
*Attorney, Agent, or Firm*—Kelly Bauersfeld Lowry & Kelley, LLP

### [57] CLAIM

The ornamental design for a wood-type head for a golf club, as shown and described.

### DESCRIPTION

FIG. 1 is a perspective view showing the front, top and left sides of a wood-type head for a golf club embodying the new design;  
 FIG. 2 is a front elevational view thereof;  
 FIG. 3 is a left side elevational view thereof;  
 FIG. 4 is a right side elevational view thereof;  
 FIG. 5 is a rear elevational view thereof;  
 FIG. 6 is a top plan view thereof;  
 FIG. 7 is a bottom plan view thereof; and,  
 FIG. 8 is a sectional view taken generally on the line 8—8 of FIG. 3.

### [56] References Cited

#### U.S. PATENT DOCUMENTS

D. 231,625	5/1974	Werner .....	D21/29
D. 257,872	1/1981	MacDougall .....	D21/219
D. 257,873	1/1981	MacDougall .....	D21/219
D. 318,087	7/1991	Helmstetter .....	D21/214
D. 354,103	1/1995	Allen .	
D. 356,356	3/1995	Jacobs .....	D21/219
D. 364,666	11/1995	Nagy .....	D21/219
D. 366,919	2/1996	Jacobs .....	D21/219
D. 368,752	4/1996	Patten .....	D21/219
1,541,126	6/1925	Dunn .	

1 Claim, 4 Drawing Sheets

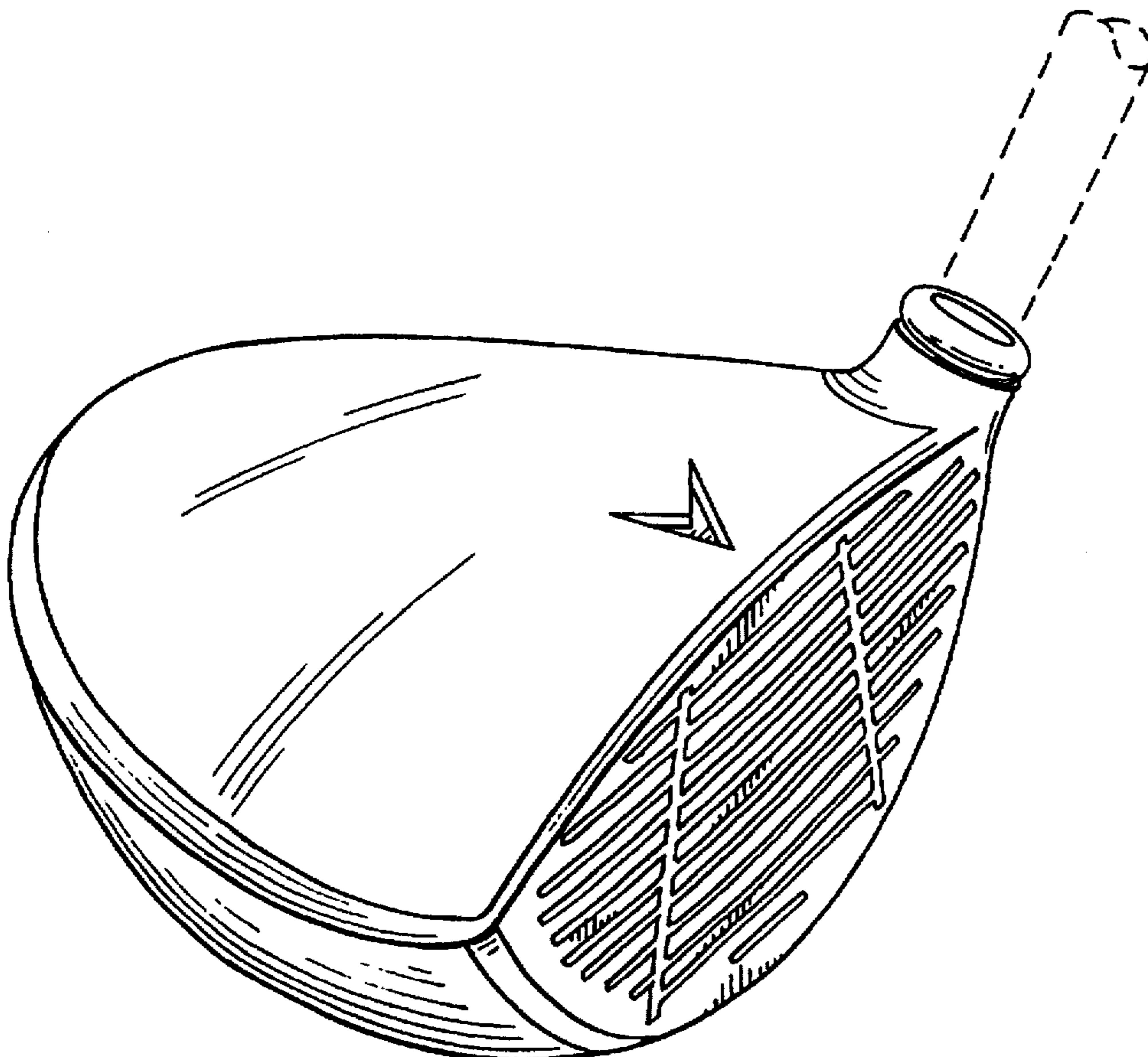


FIG. 1

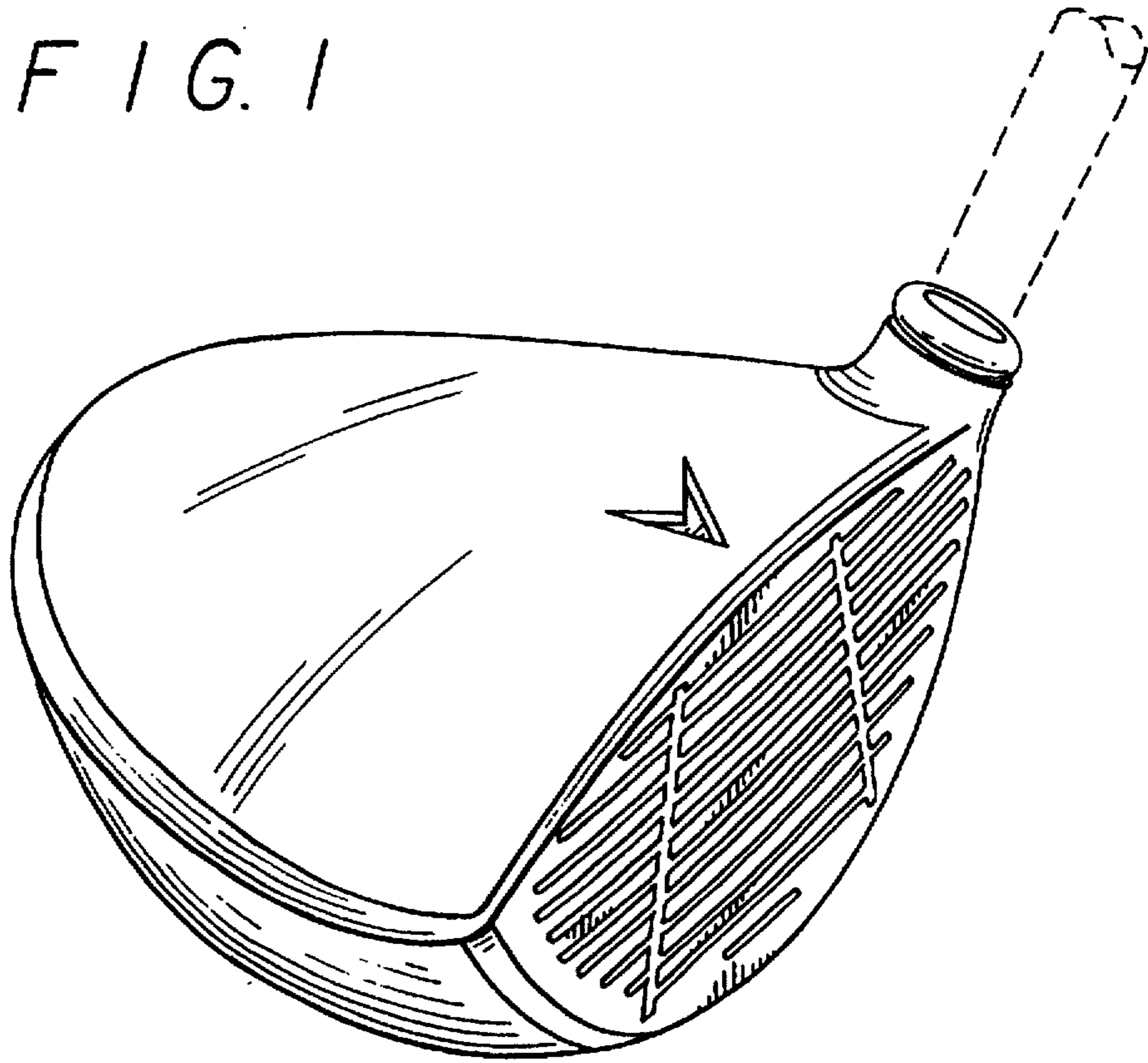


FIG. 2

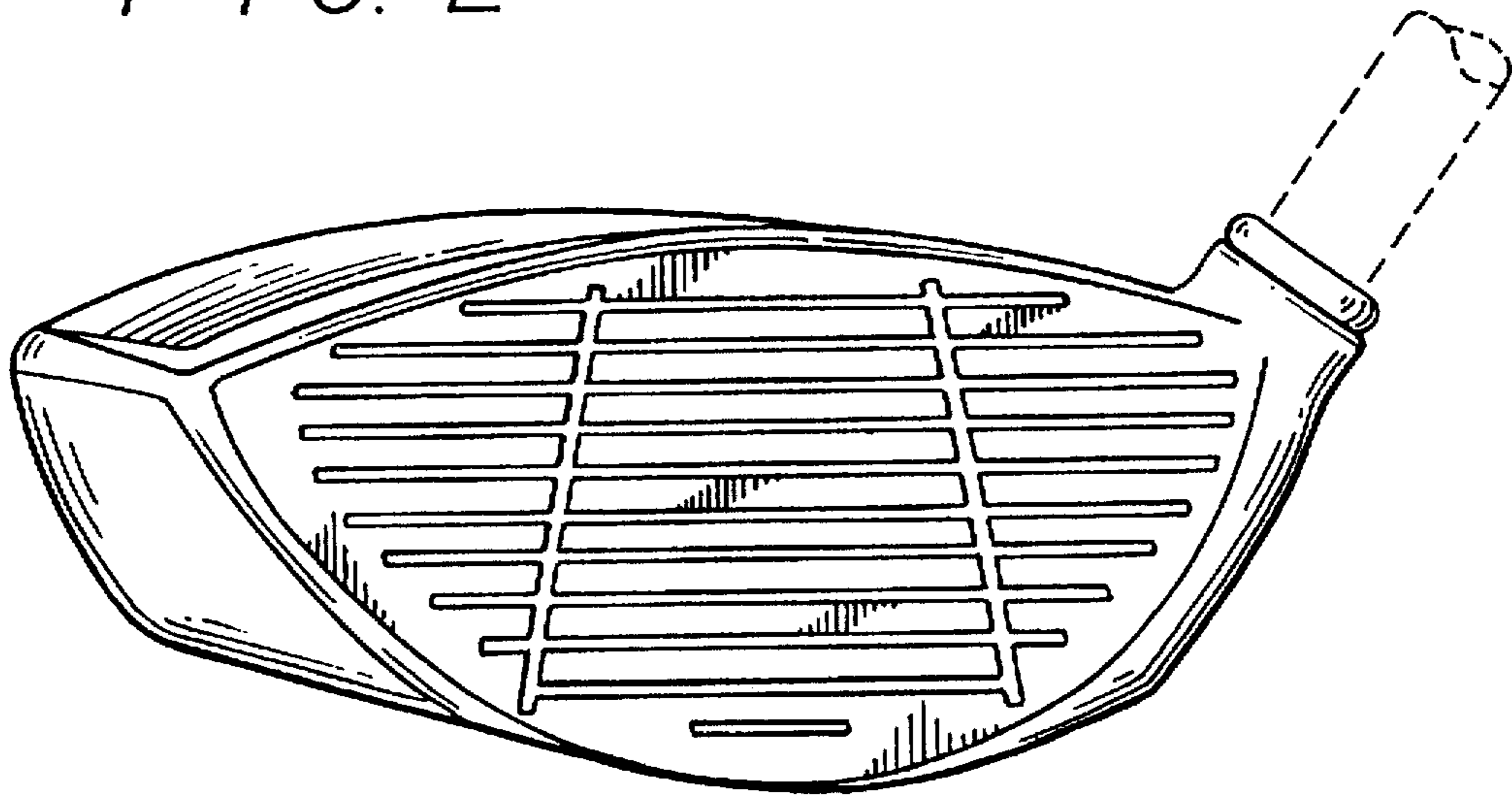


FIG. 3

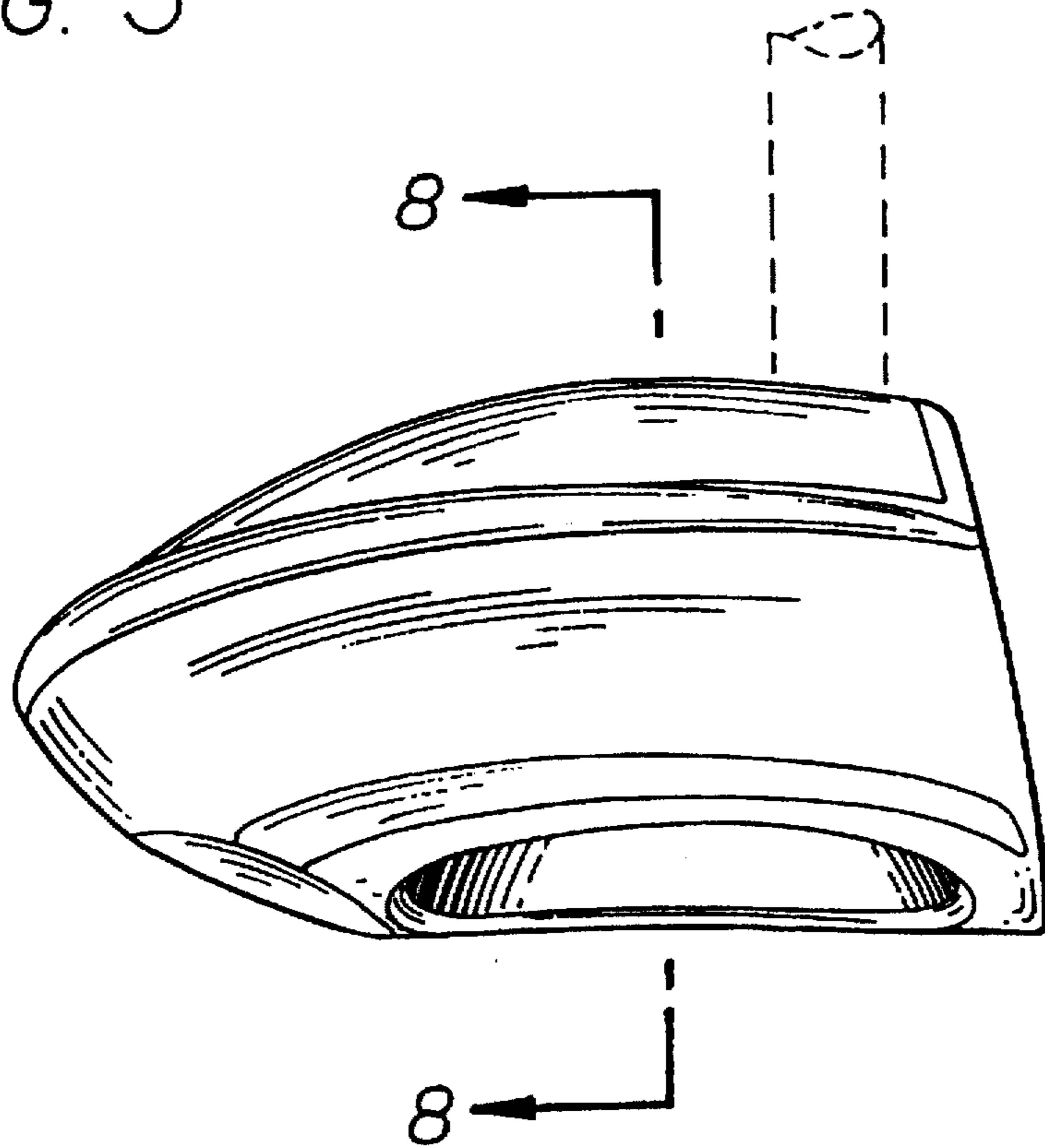


FIG. 4

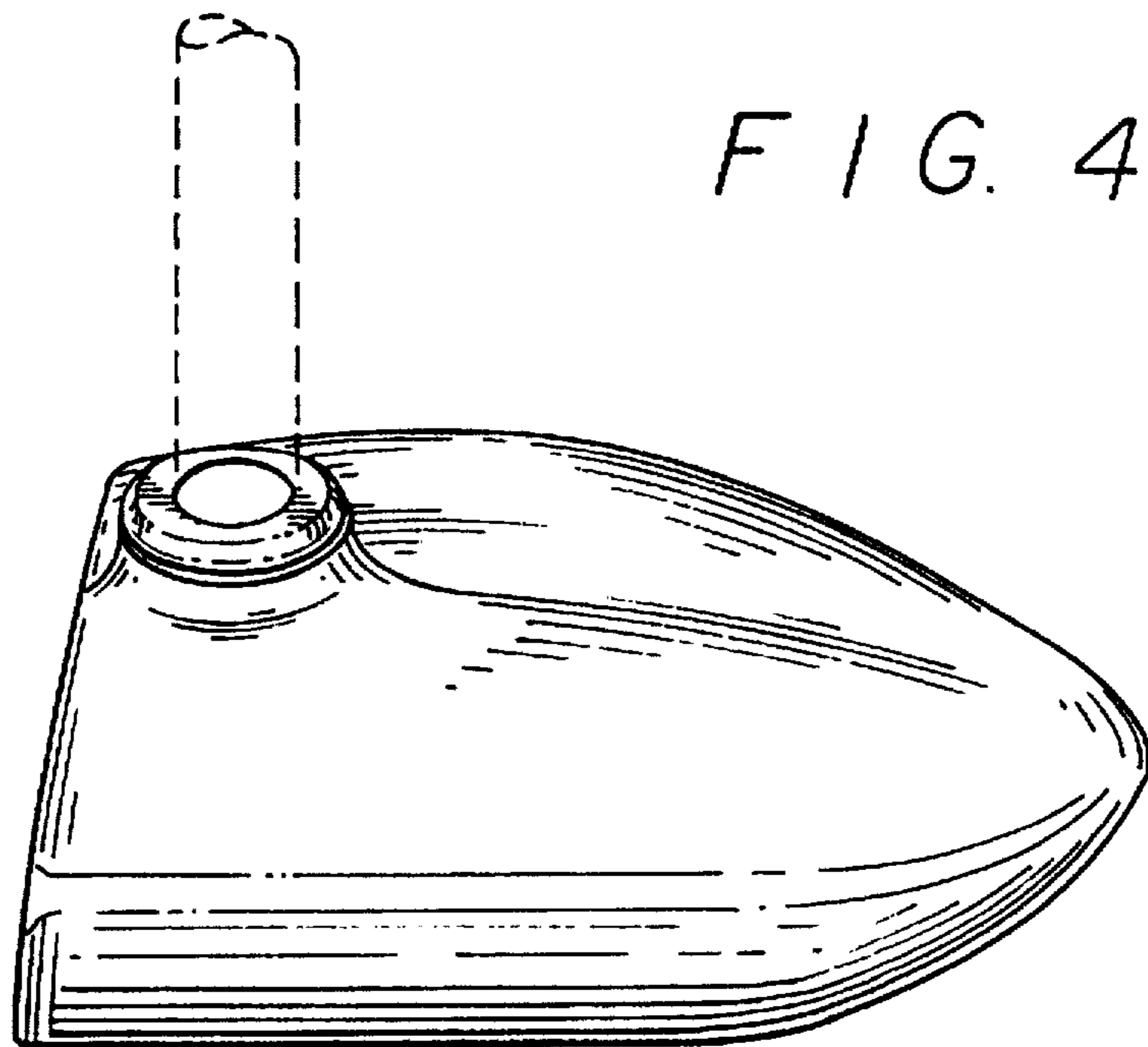


FIG. 5

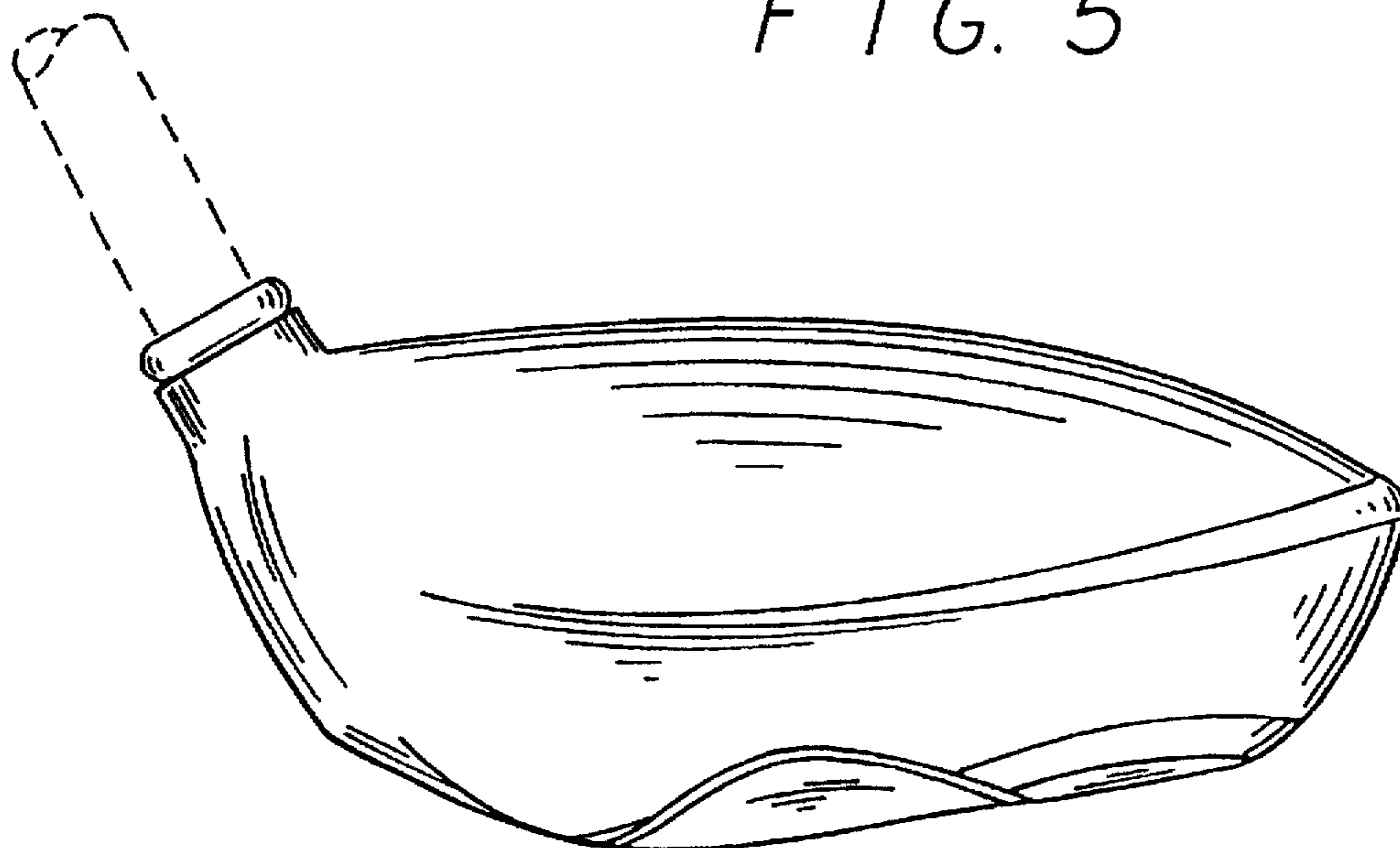
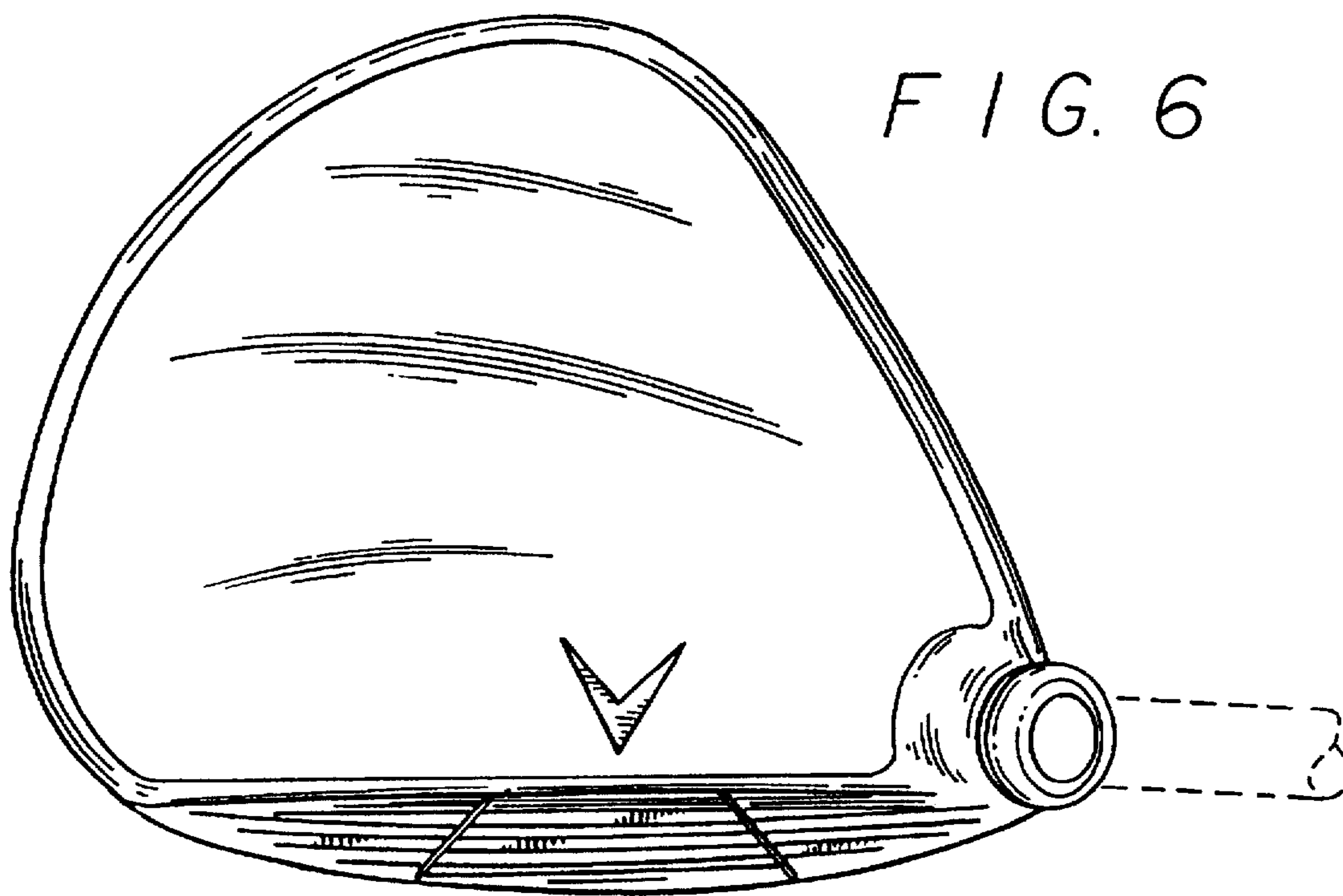


FIG. 6



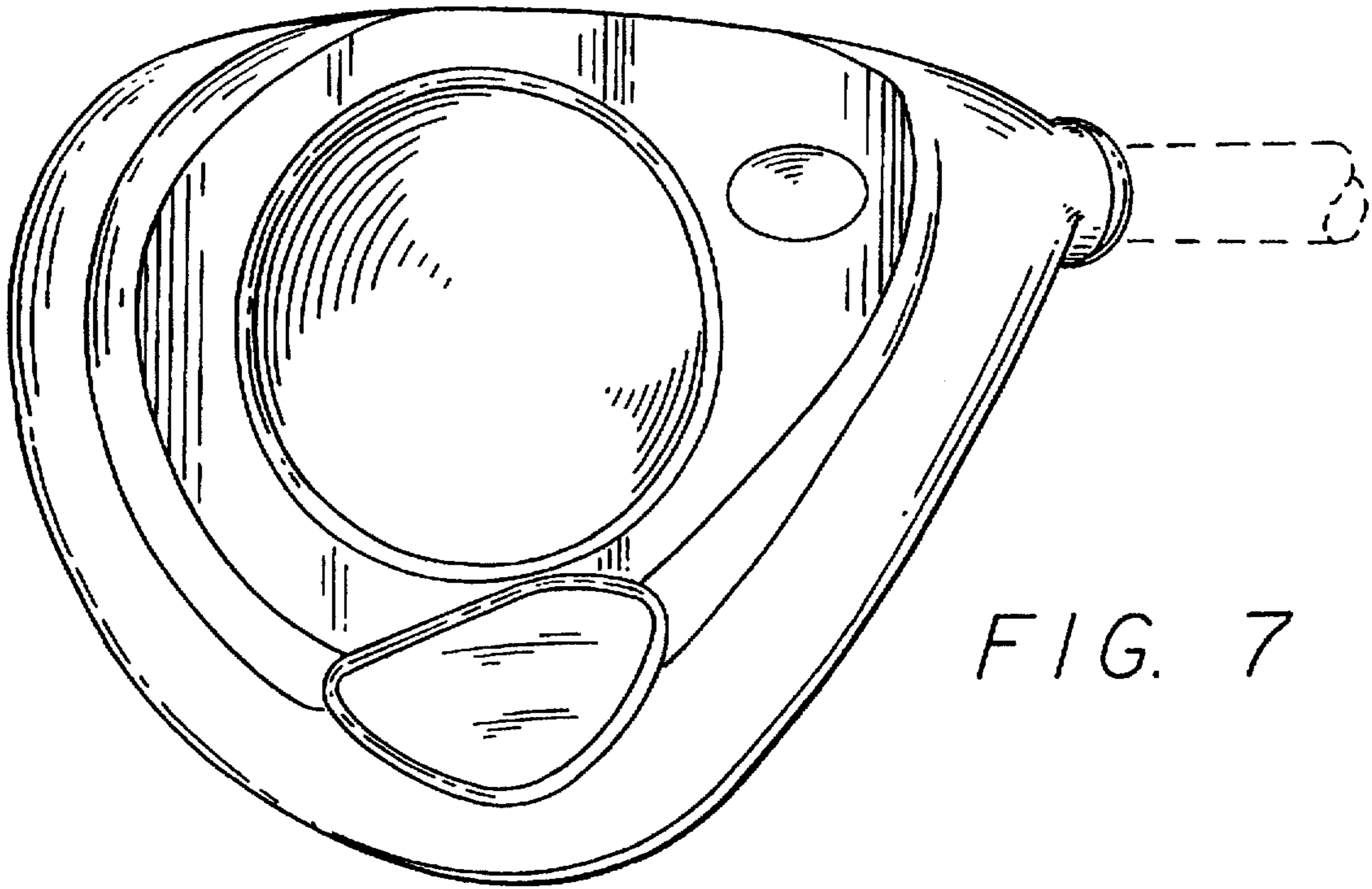


FIG. 8

