



US00D392352S

United States Patent [19]

Hill et al.

[11] Patent Number: **Des. 392,352**

[45] Date of Patent: ****Mar. 17, 1998**

[54] **CHILDRENS EXERCISE BICYCLE**

[76] Inventors: **Nancy Hill**, 200 Rhame Ave., East Rockaway, N.Y. 11518; **Indardaye Chan**, 113-05 Liberty Ave., Richmond Hill, N.Y. 11419

[**] Term: **14 Years**

[21] Appl. No.: **65,526**

[22] Filed: **Jan. 28, 1997**

[51] LOC (6) Cl. **21-02**

[52] U.S. Cl. **D21/194**

[58] Field of Search D21/191, 192, D21/193, 194, 195; 482/57, 58, 59

[56] **References Cited**

U.S. PATENT DOCUMENTS

- D. 298,641 11/1988 Sheltra D21/194
- D. 300,047 2/1989 Sheltra D21/194

- D. 329,073 9/1992 Hsiao D21/194
- D. 353,421 12/1994 Gallivan D21/194
- D. 369,844 5/1996 Dupuis D21/194

Primary Examiner—Philip S. Hyder
Attorney, Agent, or Firm—Collard & Roe. P.C.

[57] **CLAIM**

The ornamental design for a childrens exercise bicycle, as shown and described.

DESCRIPTION

FIG. 1 is a front perspective view of an exercise bicycle showing my new design; FIG. 2 is a left side view thereof; FIG. 3 is a right side view thereof; FIG. 4 is a back view thereof; FIG. 5 is a front view thereof; FIG. 6 is a top plan view thereof; and, FIG. 7 is a bottom plan view thereof.

1 Claim, 3 Drawing Sheets

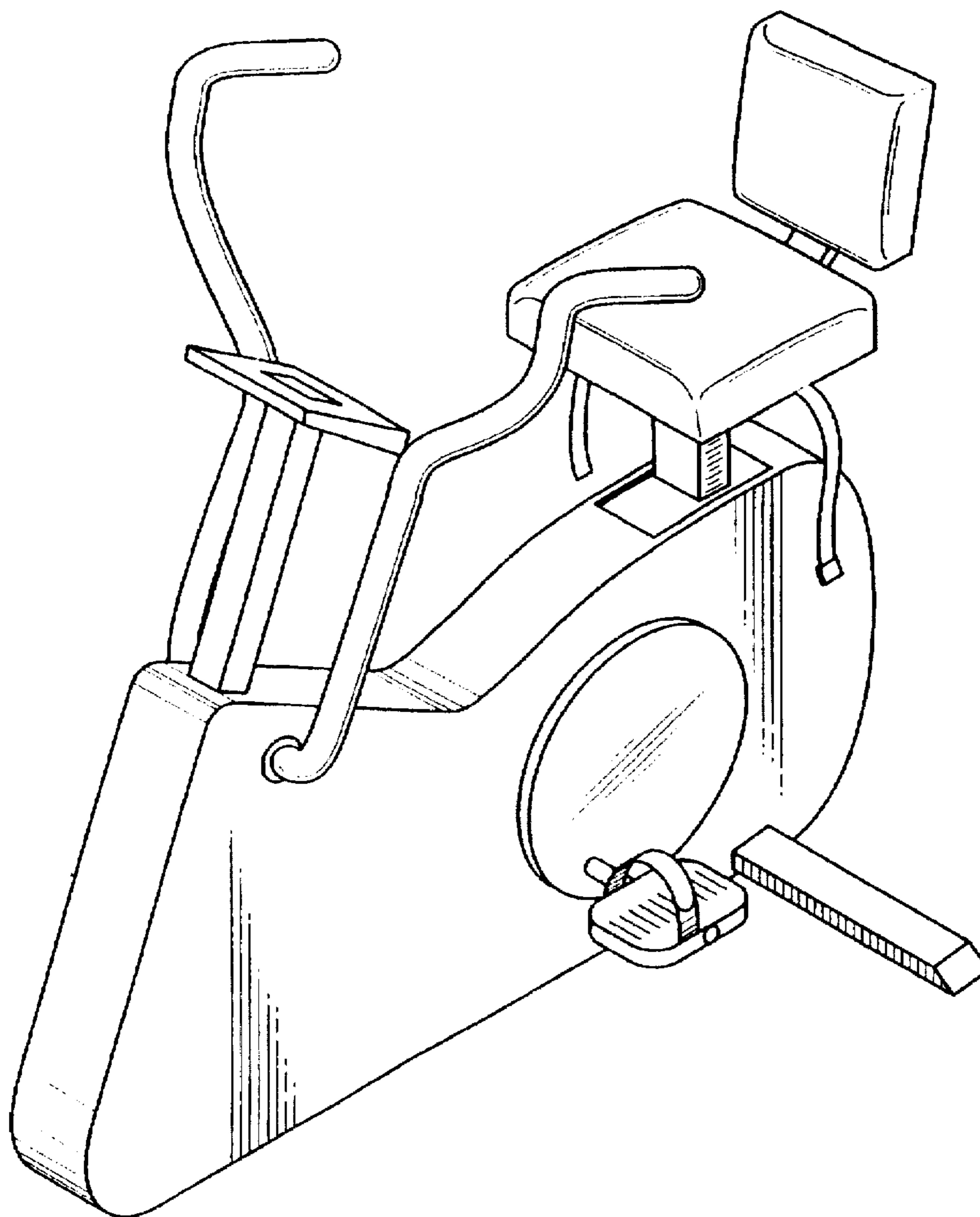


FIG. 1

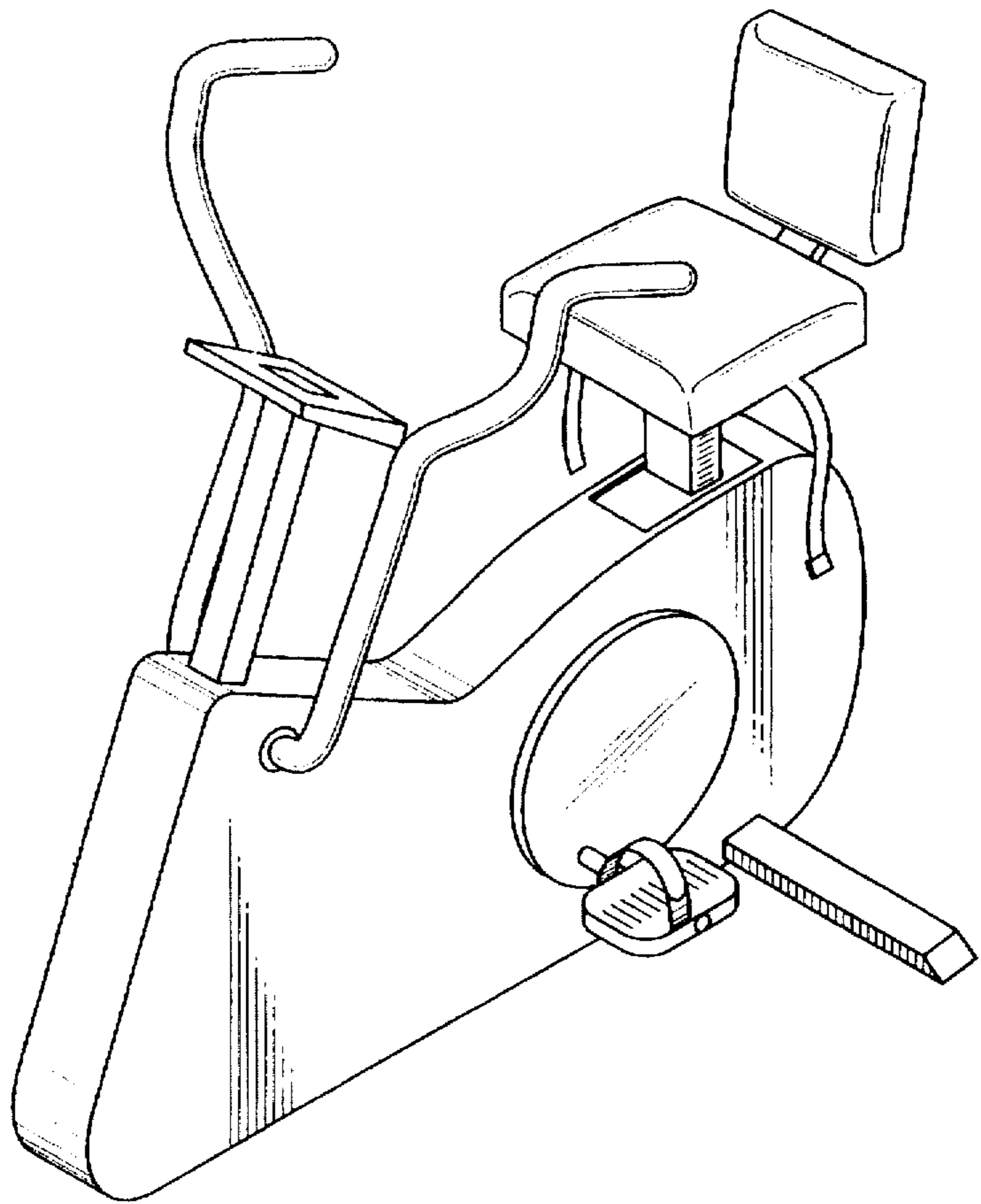


FIG. 2

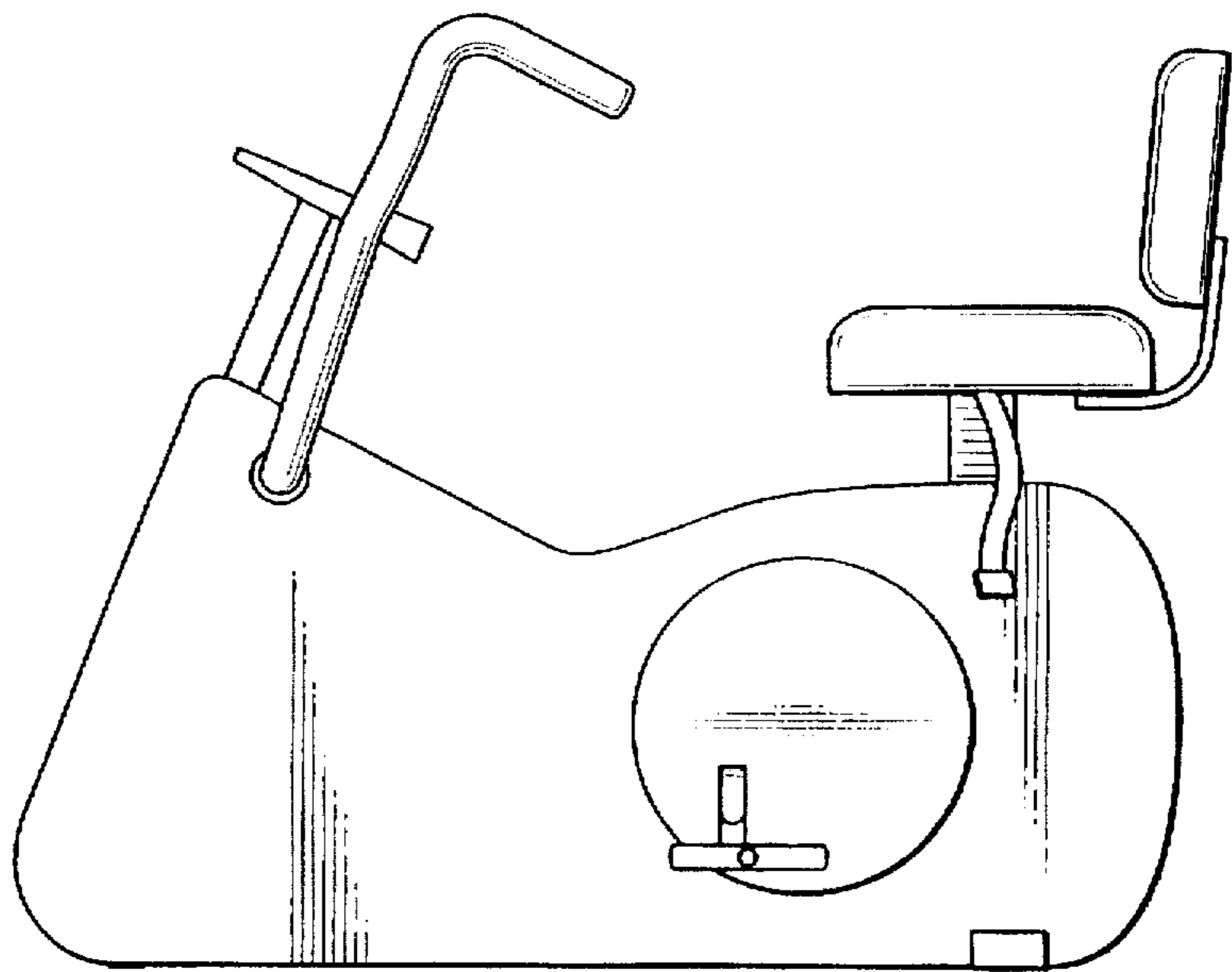


FIG. 3

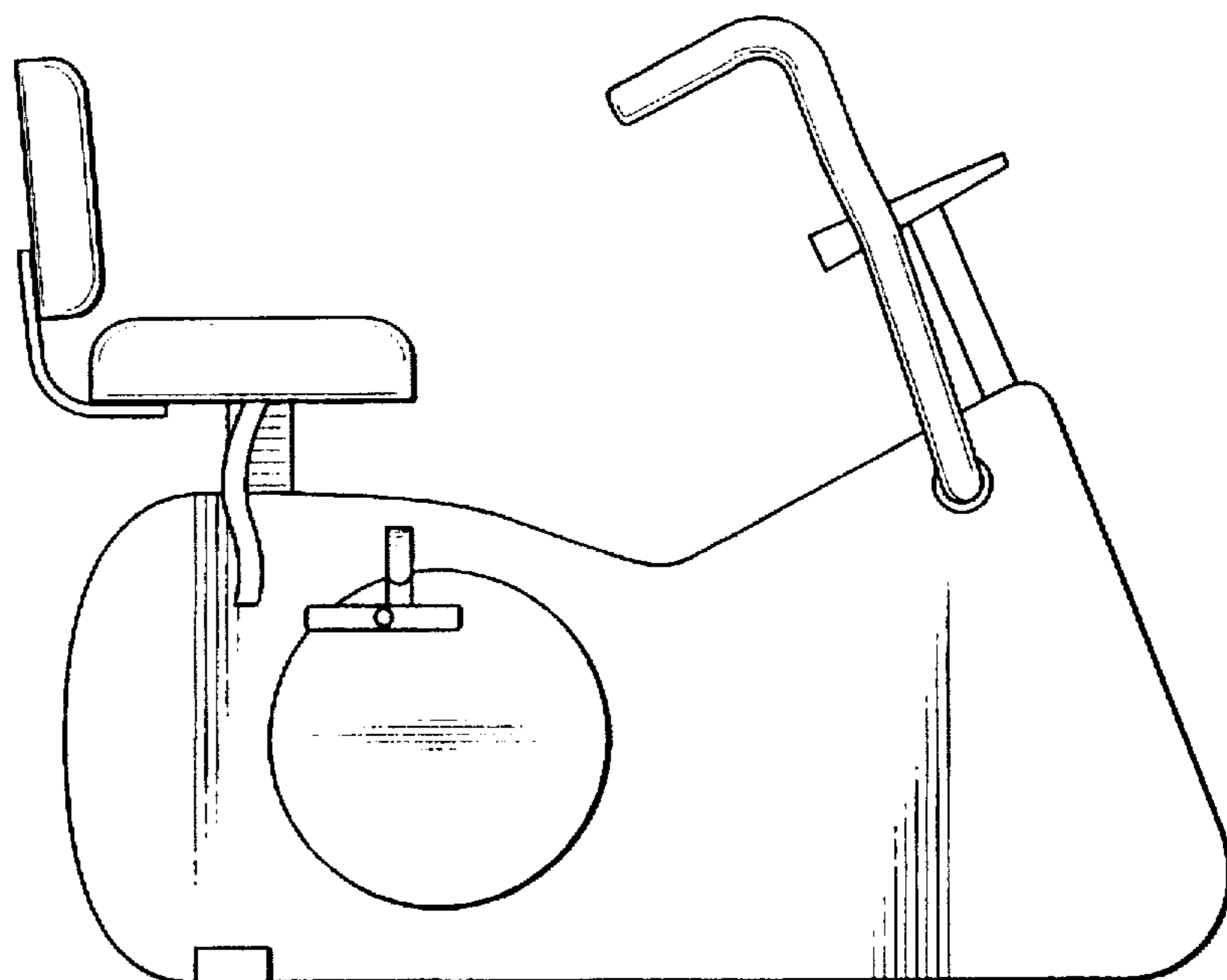


FIG. 4

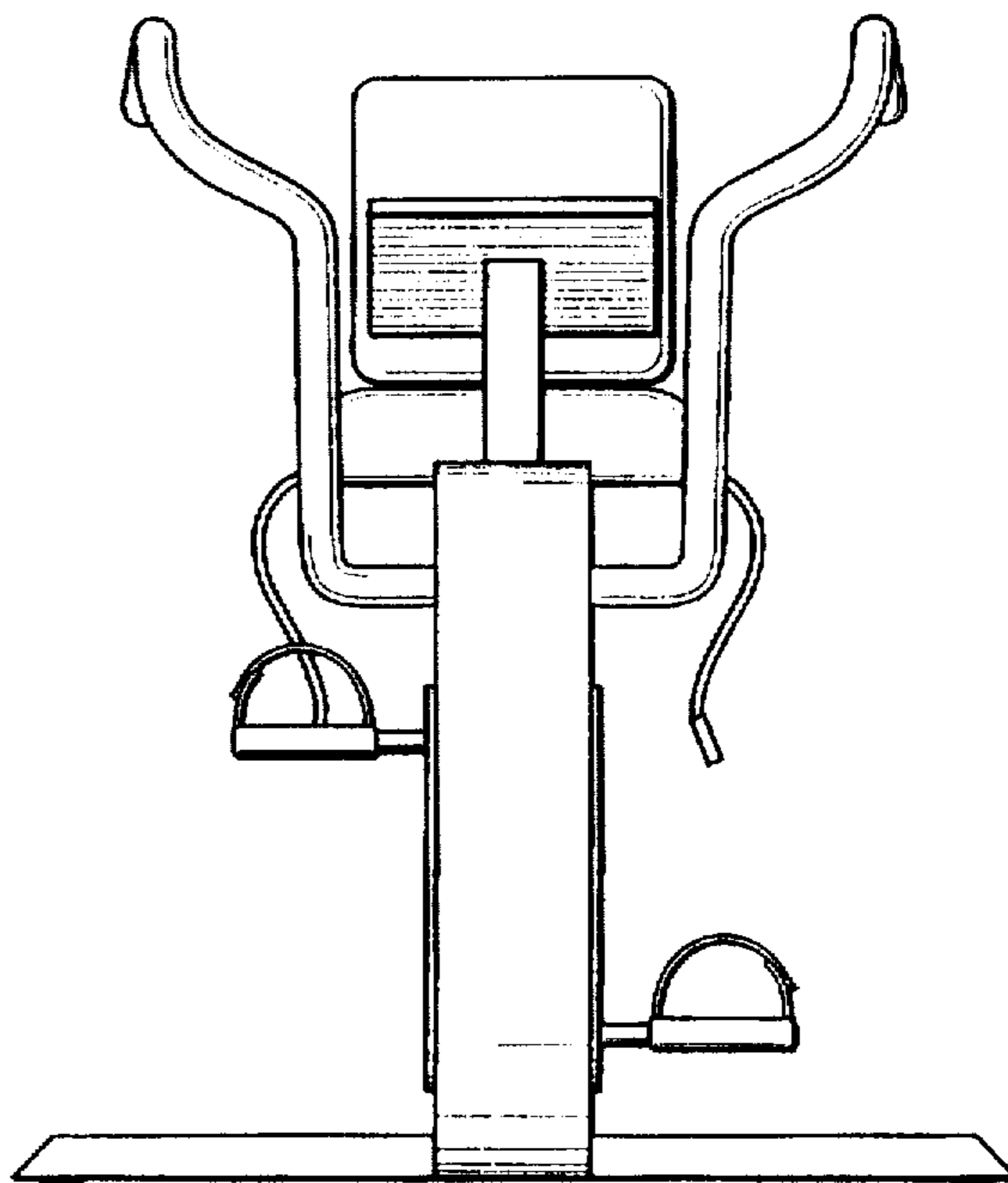


FIG. 5

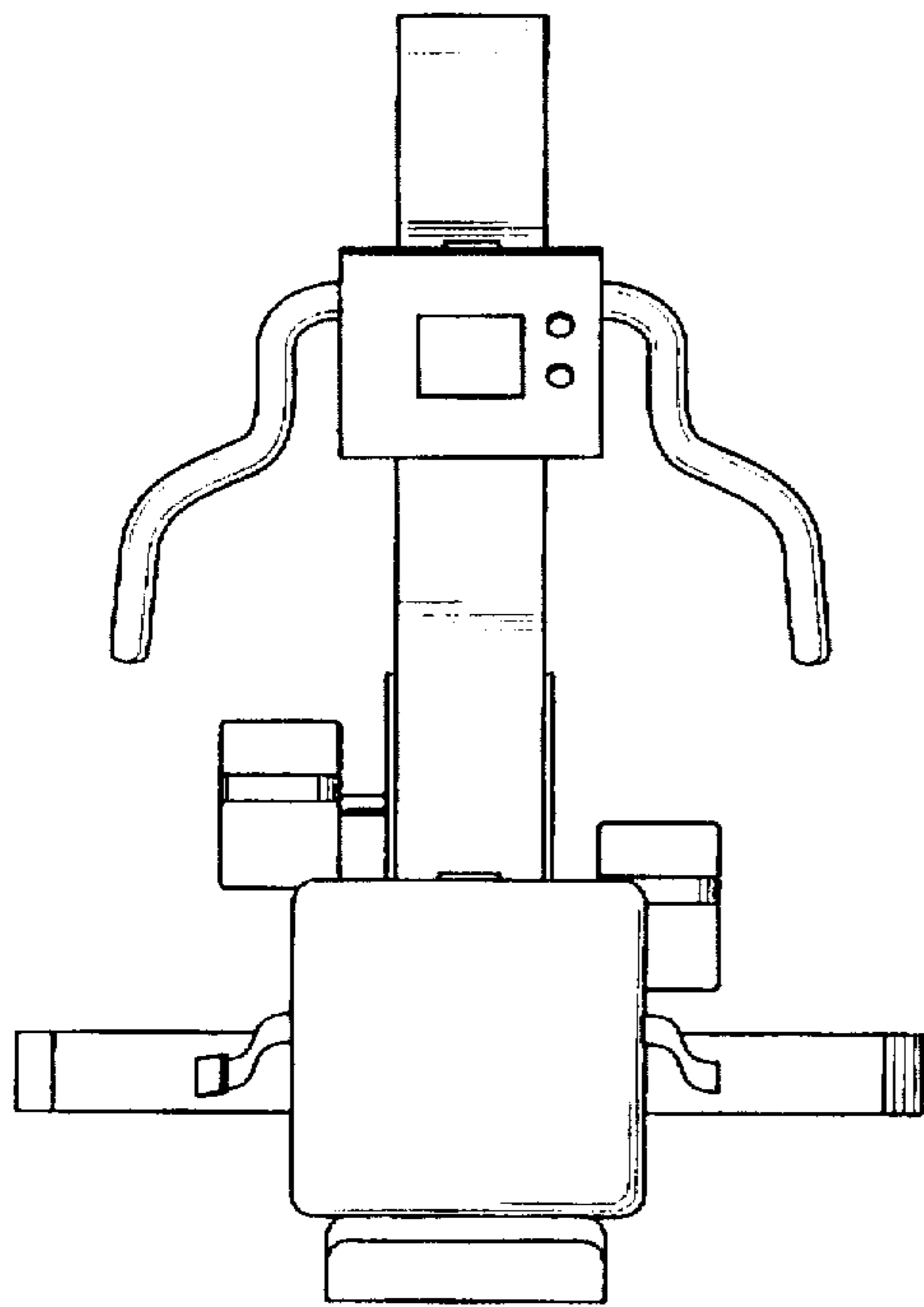
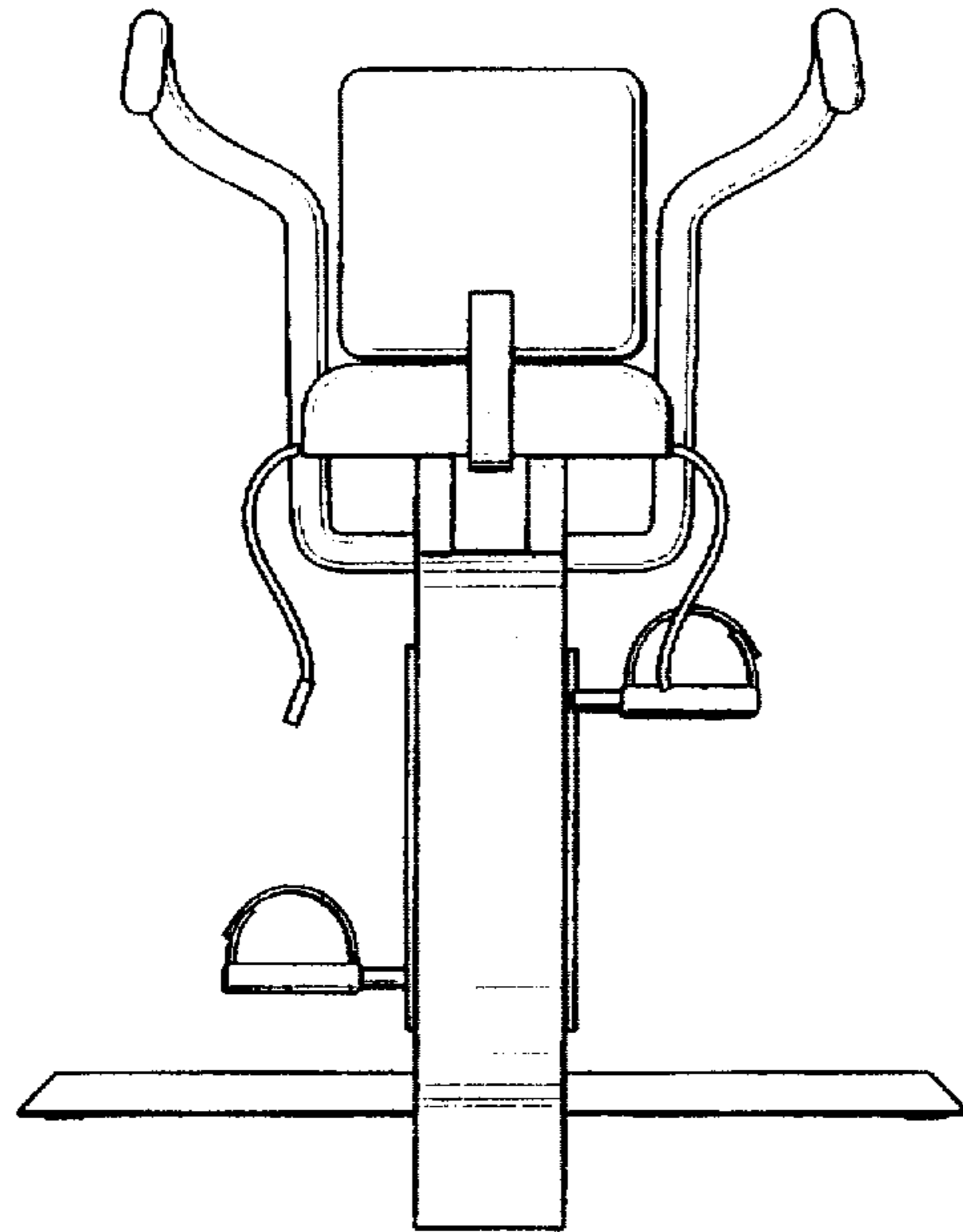


FIG. 6

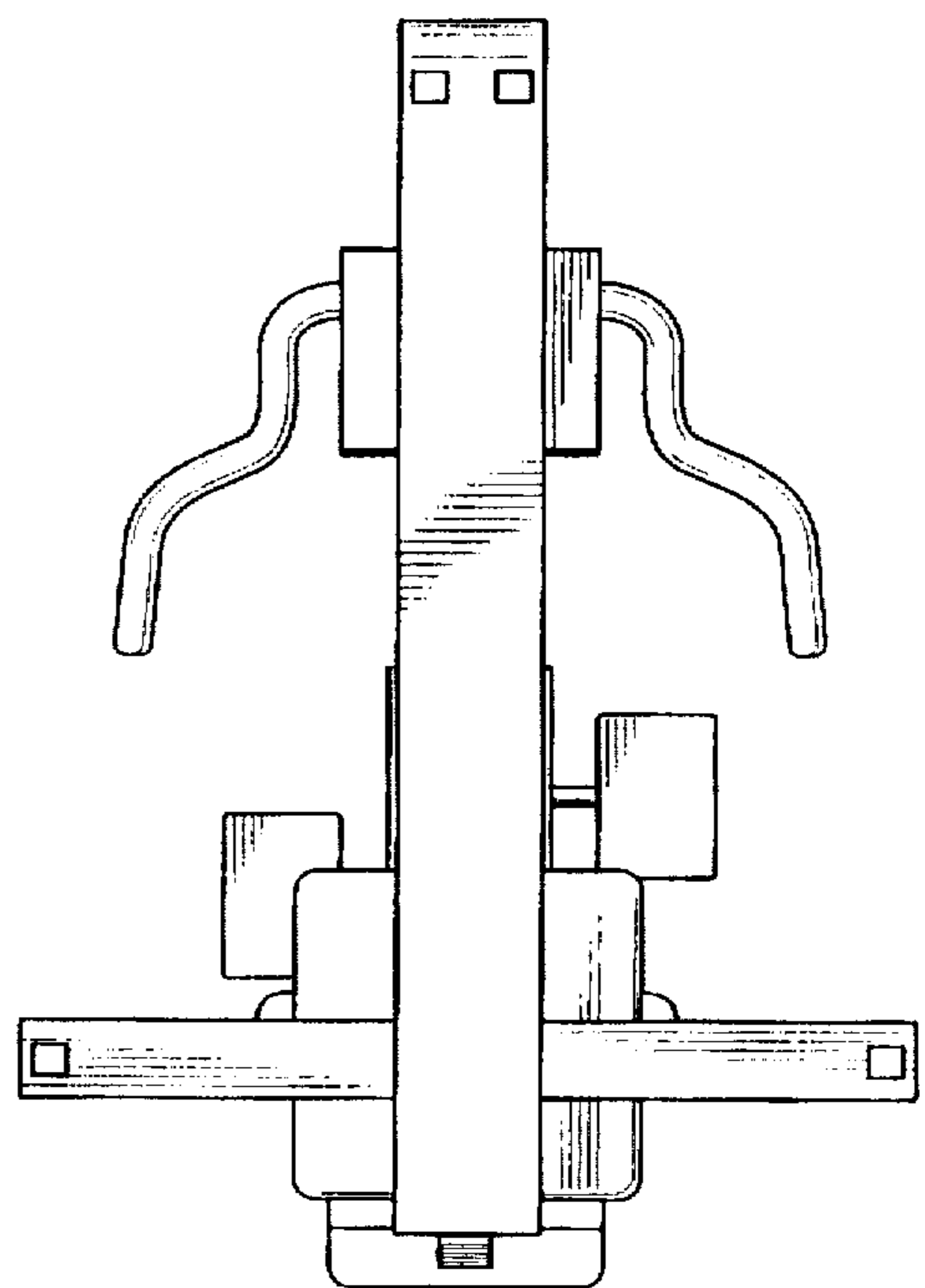


FIG. 7