



US00D392351S

United States Patent [19]
Coody et al.

[11] **Patent Number: Des. 392,351**
[45] **Date of Patent: **Mar. 17, 1998**

[54] **FOLDABLE TREADMILL BASE**
[75] **Inventors: Bruce F. Coody, Auburn; Greg Harris, Opelika, both of Ala.**
[73] **Assignee: Roadmaster Corporation, Olney, Ill.**
[**] **Term: 14 Years**
[21] **Appl. No.: 56,397**
[22] **Filed: May 13, 1996**
[51] **LOC (6) Cl. 21-02**
[52] **U.S. Cl. D21/192**
[58] **Field of Search D21/191, 192, D21/193, 194, 195; 482/51, 54, 70**

4,682,750 7/1987 Rudolph et al. .
4,757,987 7/1988 Allemand 482/54
4,759,540 7/1988 Yu et al. 482/54
4,913,396 4/1990 Dalebout et al. .
4,938,473 7/1990 Lee et al. 482/54
4,984,810 1/1991 Stearns et al. 482/54
5,085,426 2/1992 Wanzer et al. 482/54
5,102,380 4/1992 Jacobson et al. 482/54
5,110,117 5/1992 Fisher et al. 482/54
5,163,885 11/1992 Wanzer et al. 482/54
5,184,988 2/1993 Dunham 482/54
5,192,255 3/1993 Dalebout et al. 482/54

(List continued on next page.)

OTHER PUBLICATIONS

Service Merchandise Catalog, p. 522, Space Saver Treadmills, 1996.

Primary Examiner—Philip S. Hyder
Attorney, Agent, or Firm—Brinks Hofer Gilson & Lione

[56] **References Cited**

U.S. PATENT DOCUMENTS

D. 207,541 5/1967 Hesen 482/192
D. 211,801 7/1968 Quinton 482/192
D. 217,173 4/1970 Frasier 482/192
D. 273,029 3/1984 Kullenberg D21/192
D. 289,668 5/1987 Gremonprez et al. D21/192
D. 303,557 9/1989 Kiiski D21/192
D. 304,849 11/1989 Watterson 482/192
D. 306,468 3/1990 Watterson 482/192
D. 306,891 3/1990 Watterson 482/192
D. 316,124 4/1991 Dalebout et al. D21/192
D. 323,009 1/1992 Dalebout et al. D21/192
D. 323,198 1/1992 Dalebout et al. D21/192
D. 323,199 1/1992 Dalebout et al. D21/192
D. 344,557 2/1994 Ashby D21/192
D. 348,493 7/1994 Ashby D21/192
D. 348,494 7/1994 Ashby D21/192
D. 351,202 10/1994 Bingham D21/192
D. 351,633 10/1994 Bingham D21/192
D. 355,227 2/1995 Summers et al. D21/192
D. 361,806 8/1995 Bartlett D21/192
D. 361,807 8/1995 Bartlett D21/192
D. 365,611 12/1995 Hung D21/192
931,394 8/1909 Day .
1,064,968 6/1913 Hagen .
1,824,406 9/1931 Petersime .
3,606,320 9/1971 Erwin, Jr. .
3,650,529 3/1972 Salm et al. .
4,066,257 1/1978 Moller .
4,406,451 9/1983 Gaetano .

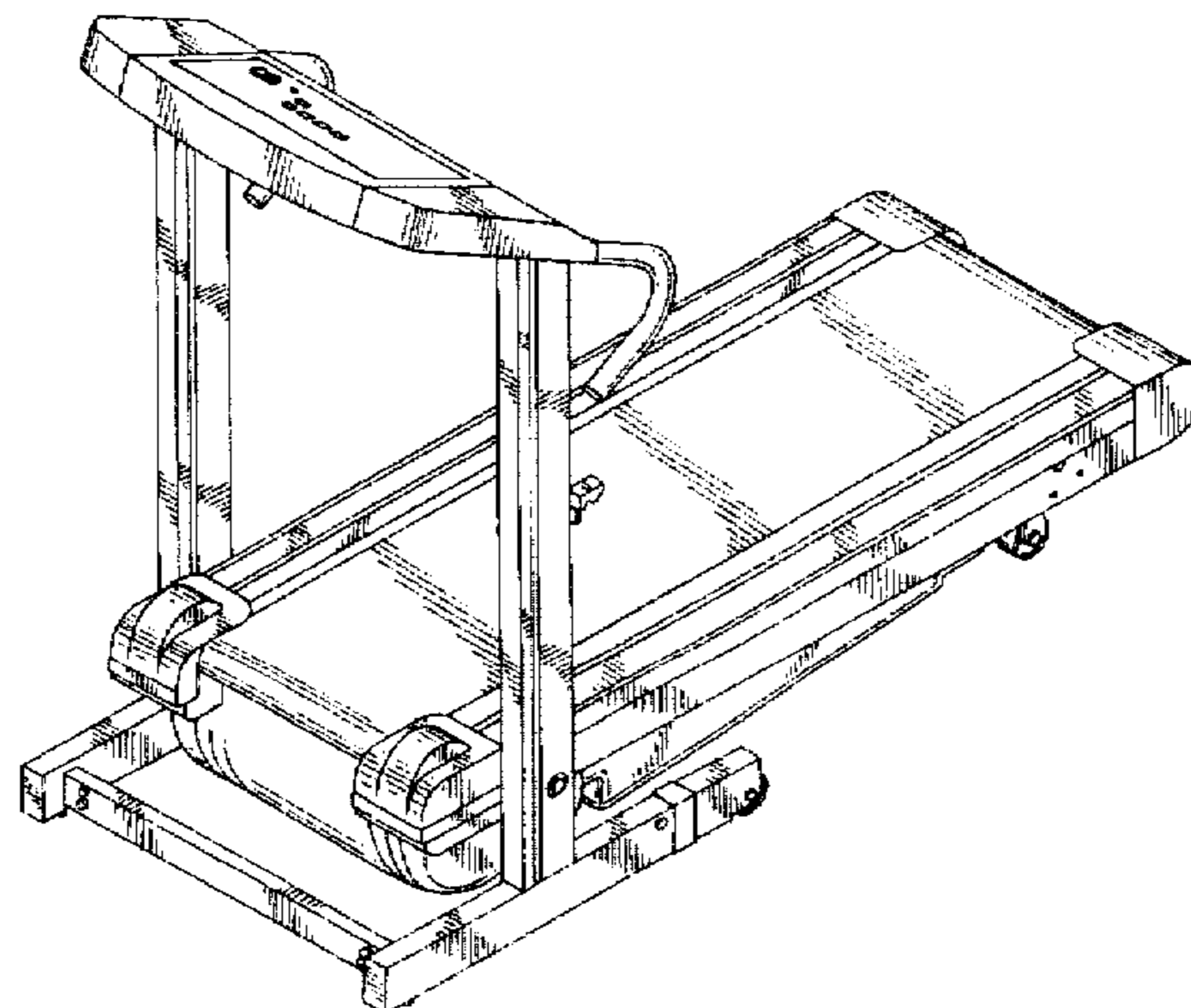
[57] **CLAIM**

The ornamental design for a foldable treadmill base, as shown and described.

DESCRIPTION

FIG. 1 is a perspective view of a foldable treadmill base showing our new design;
FIG. 2 is a perspective view of the foldable treadmill base in a folded position;
FIG. 3 is a left side elevational view of the foldable treadmill base;
FIG. 4 is a front elevational view of the foldable treadmill base;
FIG. 5 is a right side elevational view of the foldable treadmill base;
FIG. 6 is a rear elevational view of the foldable treadmill base;
FIG. 7 is a top plan view of the foldable treadmill base; and, FIG. 8 is a bottom plan view of the foldable treadmill base. The broken line showing of the control console and support post assembly is for illustrative purposes only and forms no part of the claimed design.

1 Claim, 4 Drawing Sheets



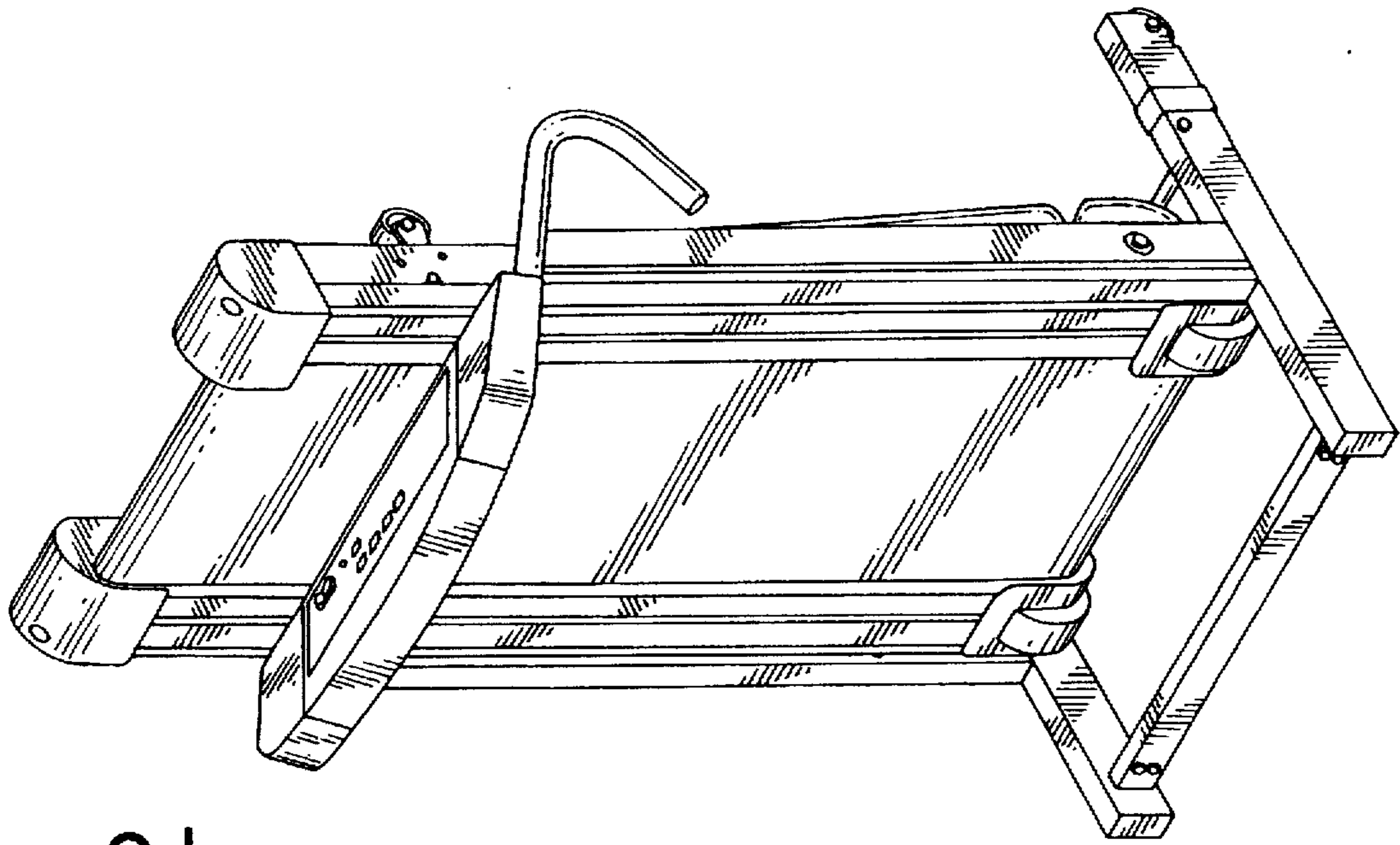


FIG. 2

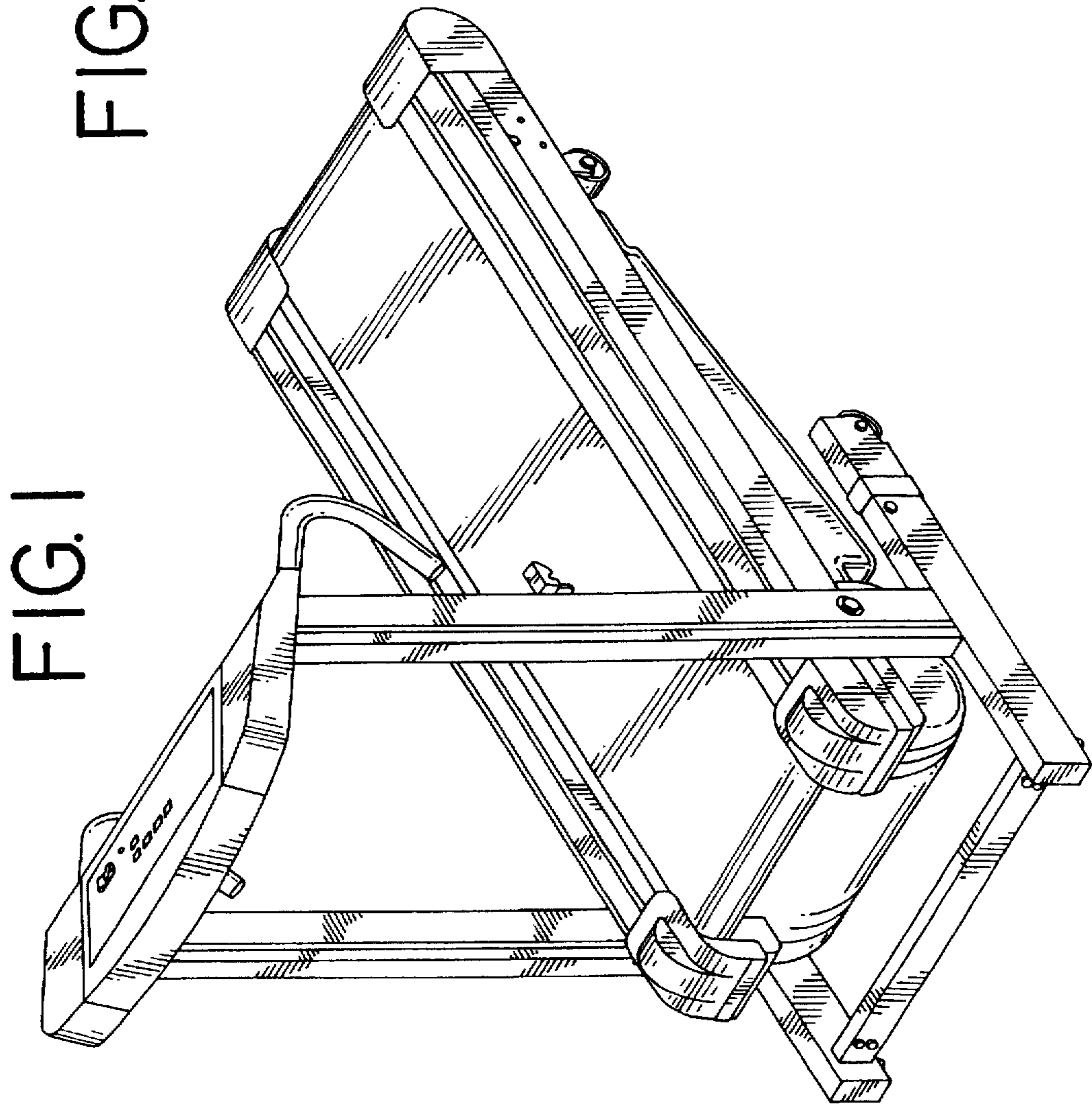


FIG. 1

FIG. 4

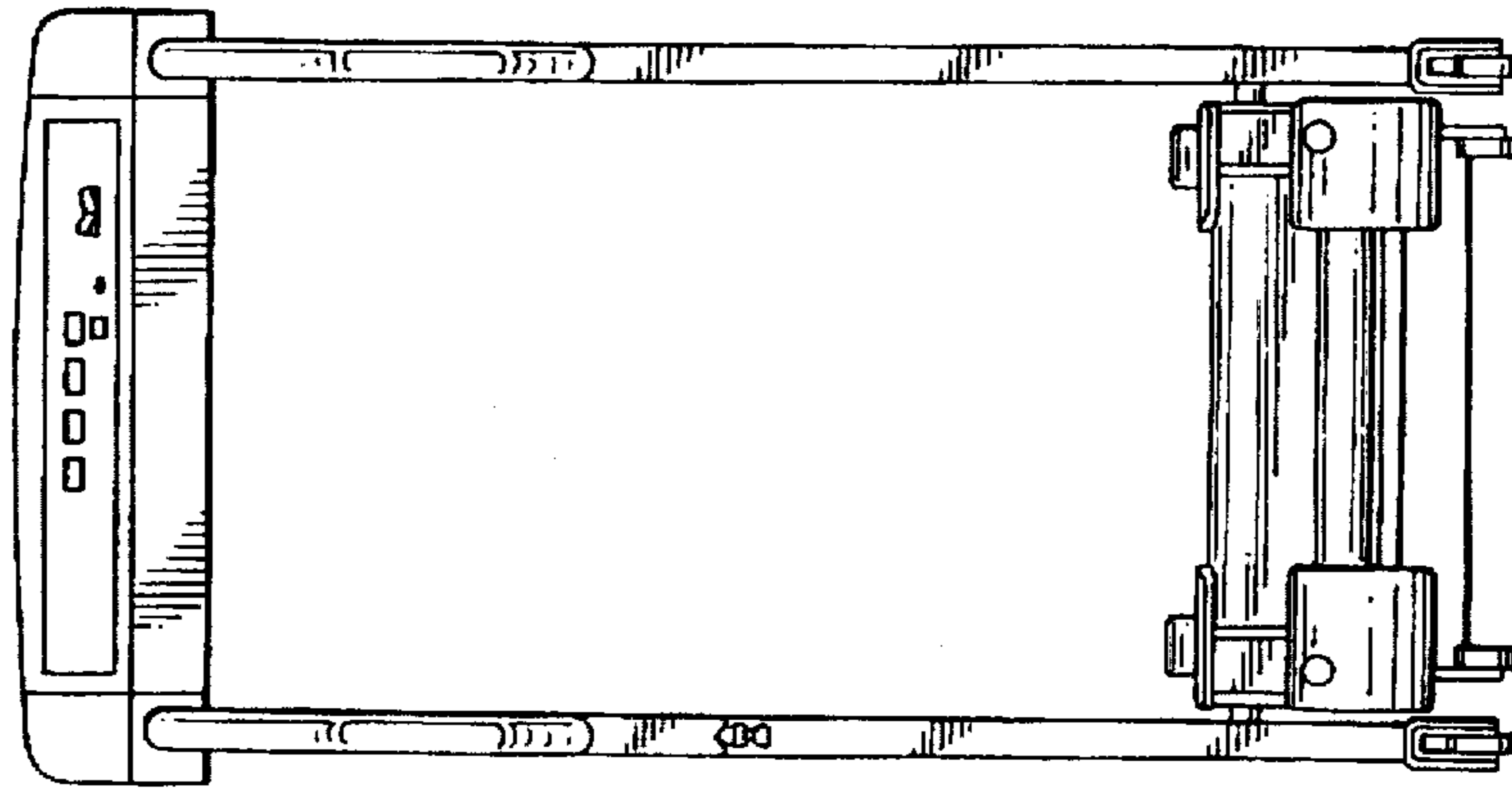


FIG. 3

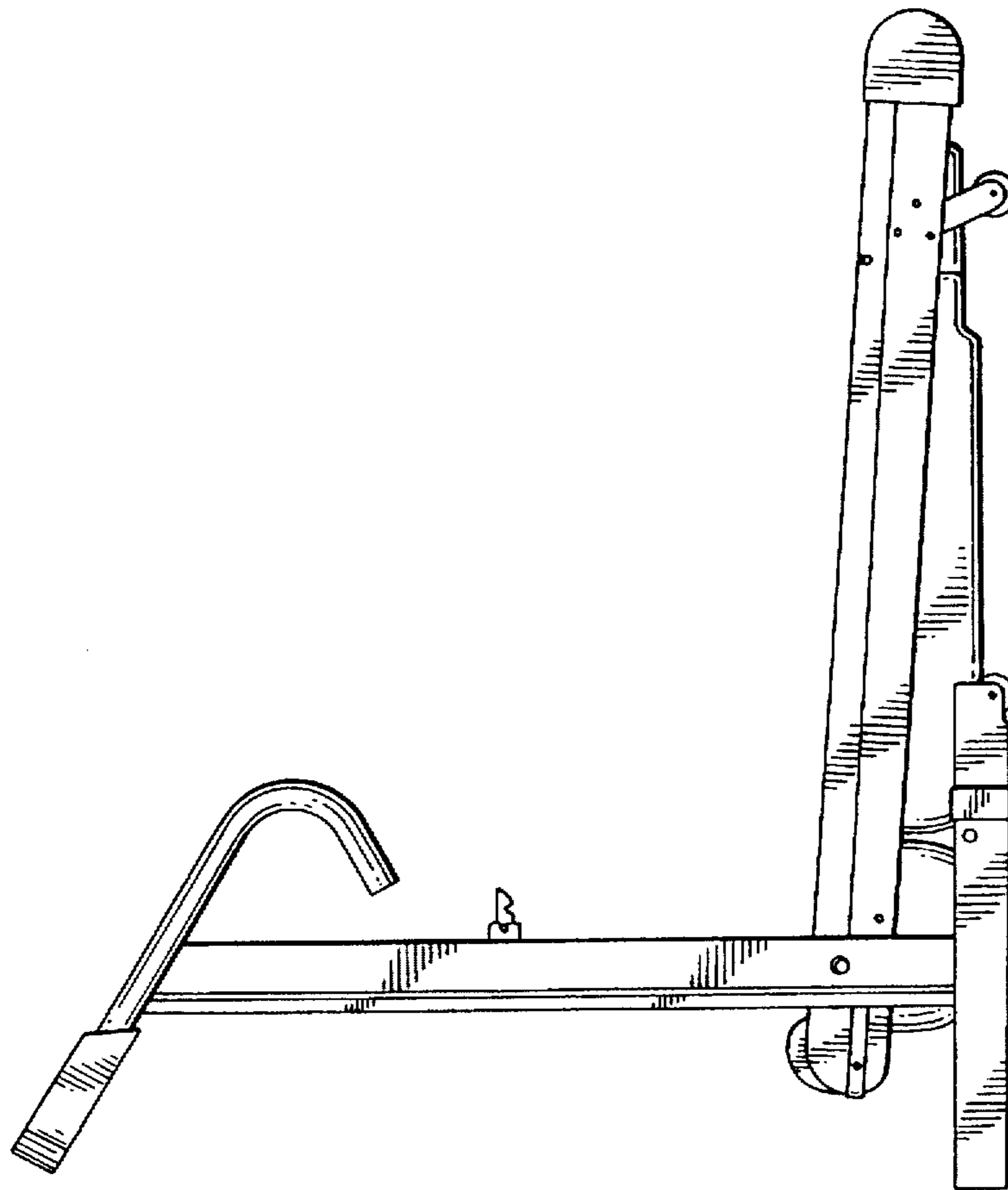


FIG. 6

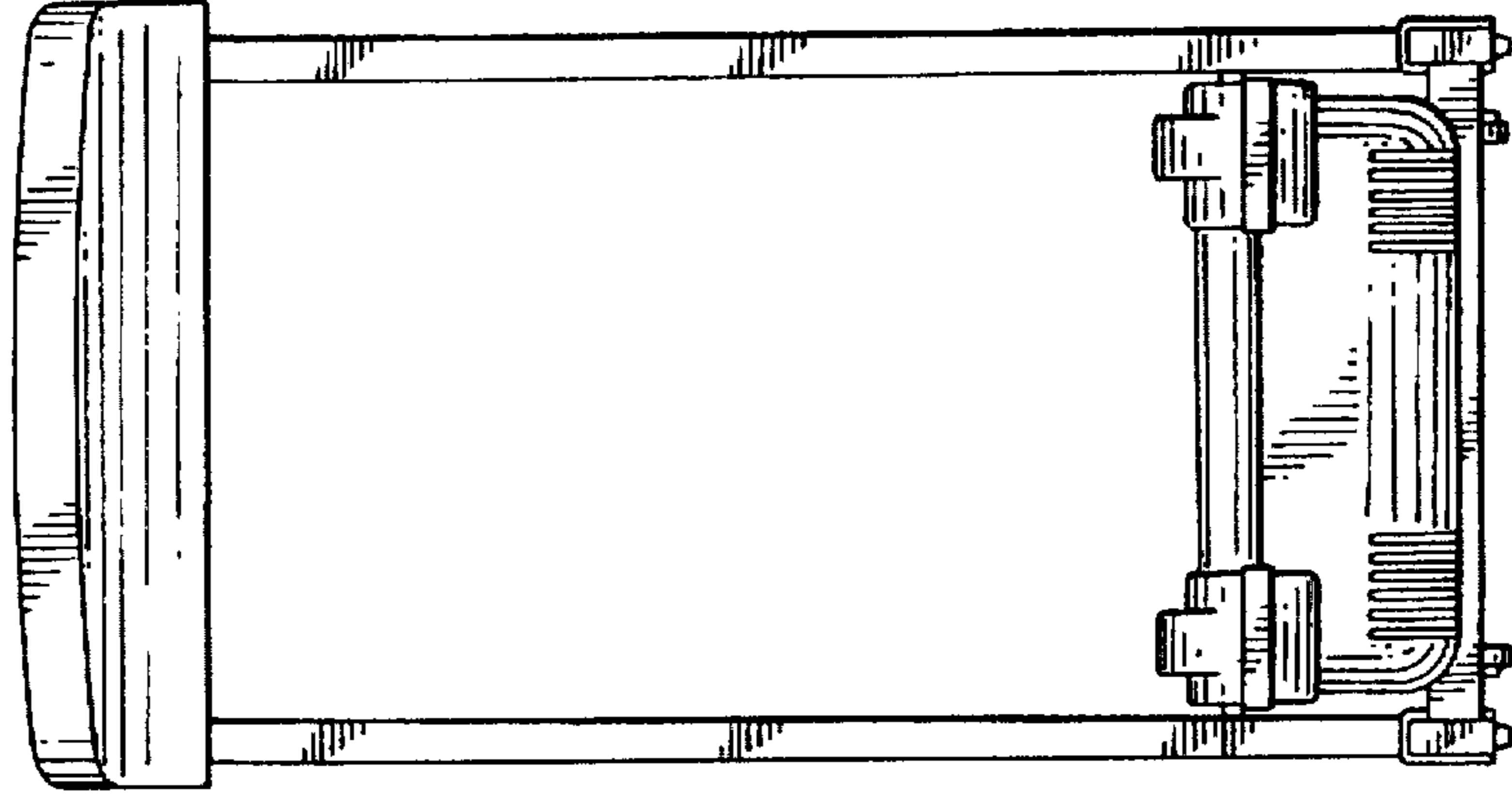


FIG. 5

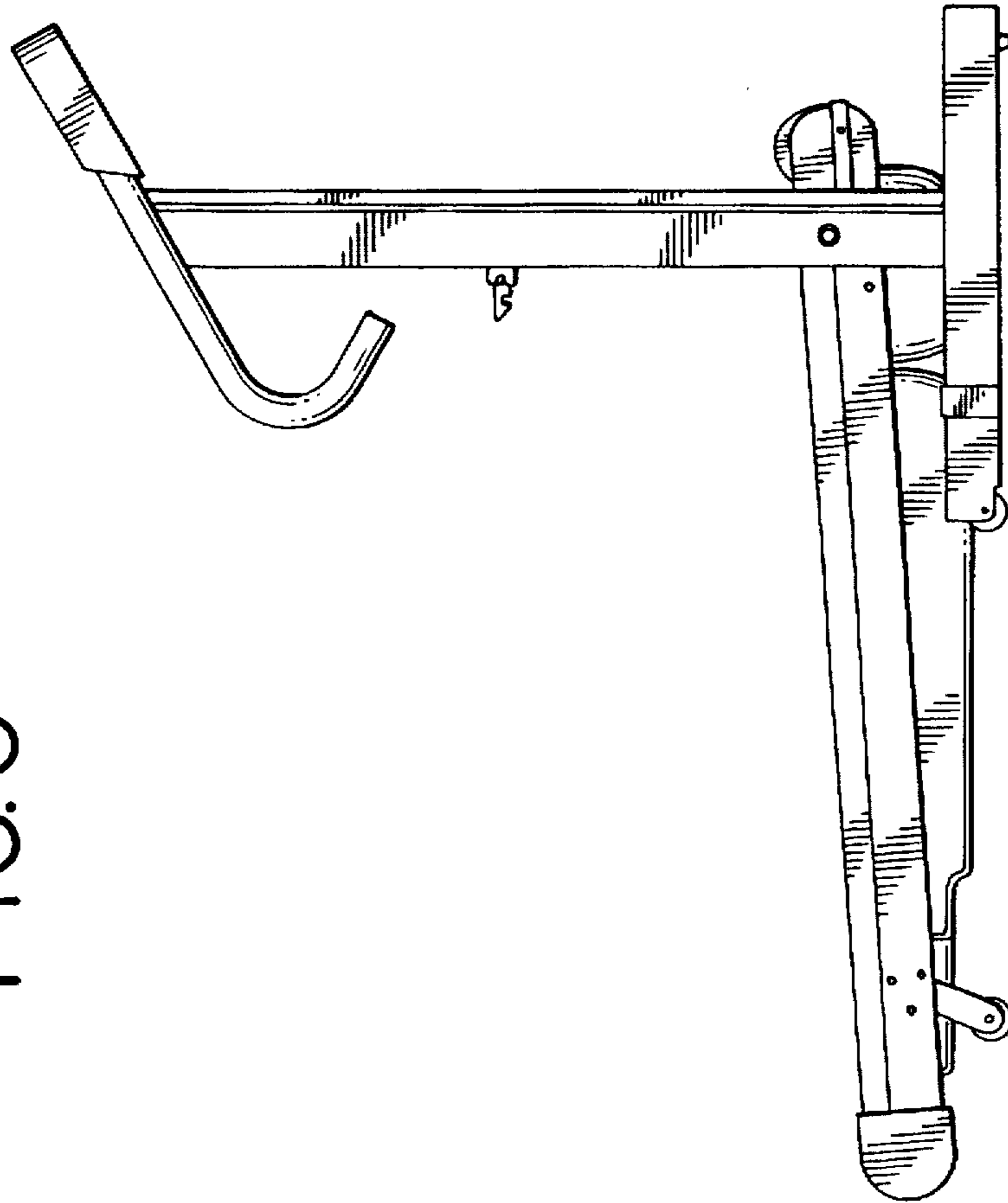


FIG. 7

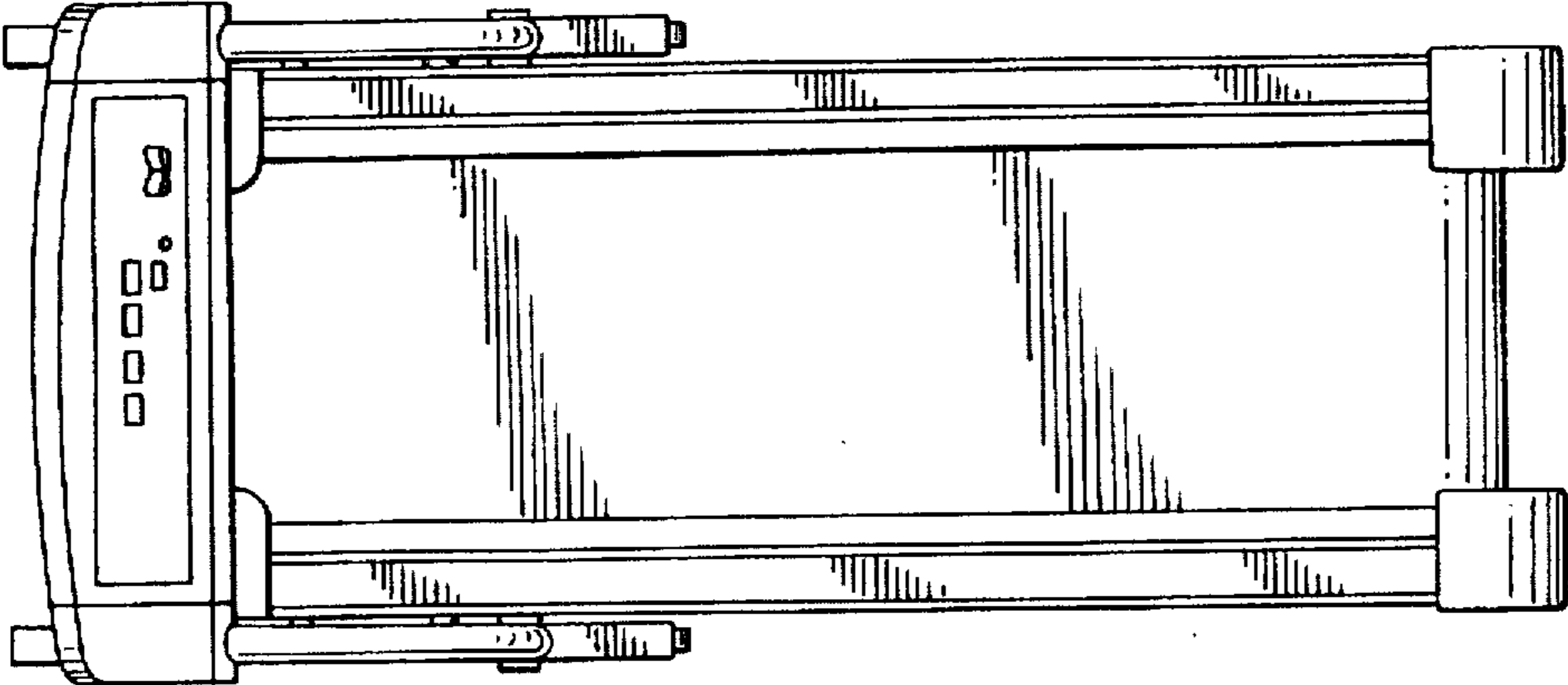


FIG. 8

