



US00D392350S

United States Patent [19]
Huang

[11] **Patent Number: Des. 392,350**
[45] **Date of Patent: **Mar. 17, 1998**

[54] **JOGGER EXERCISER**
[76] **Inventor: Hui-Mei Huang**, No. 266, Tung Hsin Road, Tung Leh Village, Yuan San Hsiang, I Lan Hsien, Taiwan
[**] **Term: 14 Years**
[21] **Appl. No.: 68,085**
[22] **Filed: Feb. 6, 1997**
[51] **LOC (6) Cl. 21-02**
[52] **U.S. Cl. D21/191**
[58] **Field of Search D21/191, 192, D21/193, 194, 195; 482/51, 66, 70, 52, 53**

5,584,781 12/1996 Chen 482/51
5,603,675 2/1997 Wu 482/51
5,605,521 2/1997 Hsieh 482/51
5,643,140 7/1997 Tsai 482/51

Primary Examiner—Philip S. Hyder
Attorney, Agent, or Firm—Varndell Legal Group

[57] **CLAIM**

The ornamental design for a jogger exerciser, as shown and describd.

DESCRIPTION

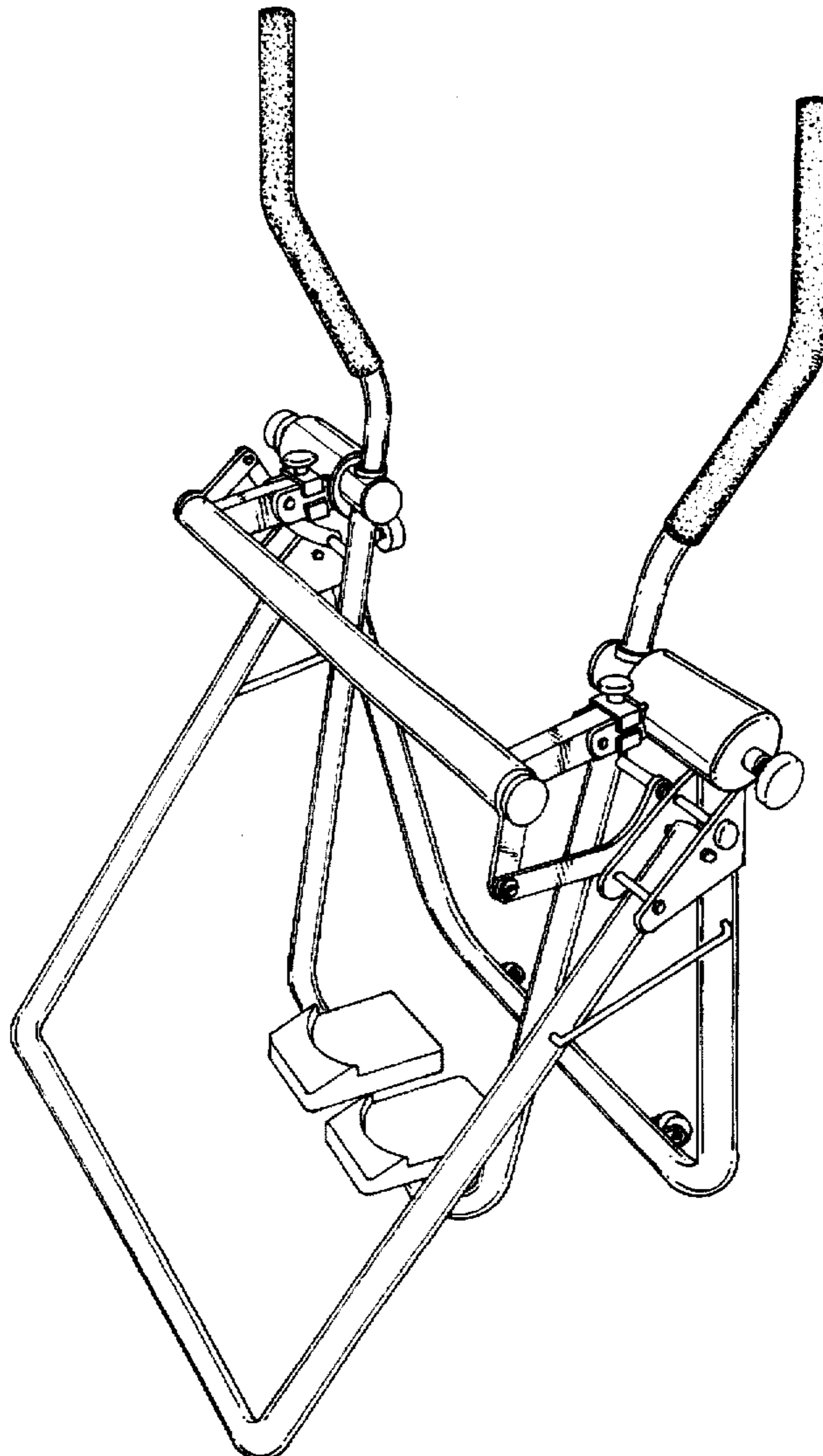
FIG. 1 is a perspective view of a jogger exerciser showing my new design;
FIG. 2 is a front elevational view thereof;
FIG. 3 is a rear elevational view thereof;
FIG. 4 is a top plan view thereof;
FIG. 5 is a bottom plan view thereof;
FIG. 6 is left side elevational view thereof; and,
FIG. 7 is a right side elevational view thereof.

[56] **References Cited**

U.S. PATENT DOCUMENTS

D. 378,841 4/1997 Huang D21/191
5,419,747 5/1995 Piaget et al. 482/51
5,584,780 12/1996 Lin 482/51

1 Claim, 7 Drawing Sheets



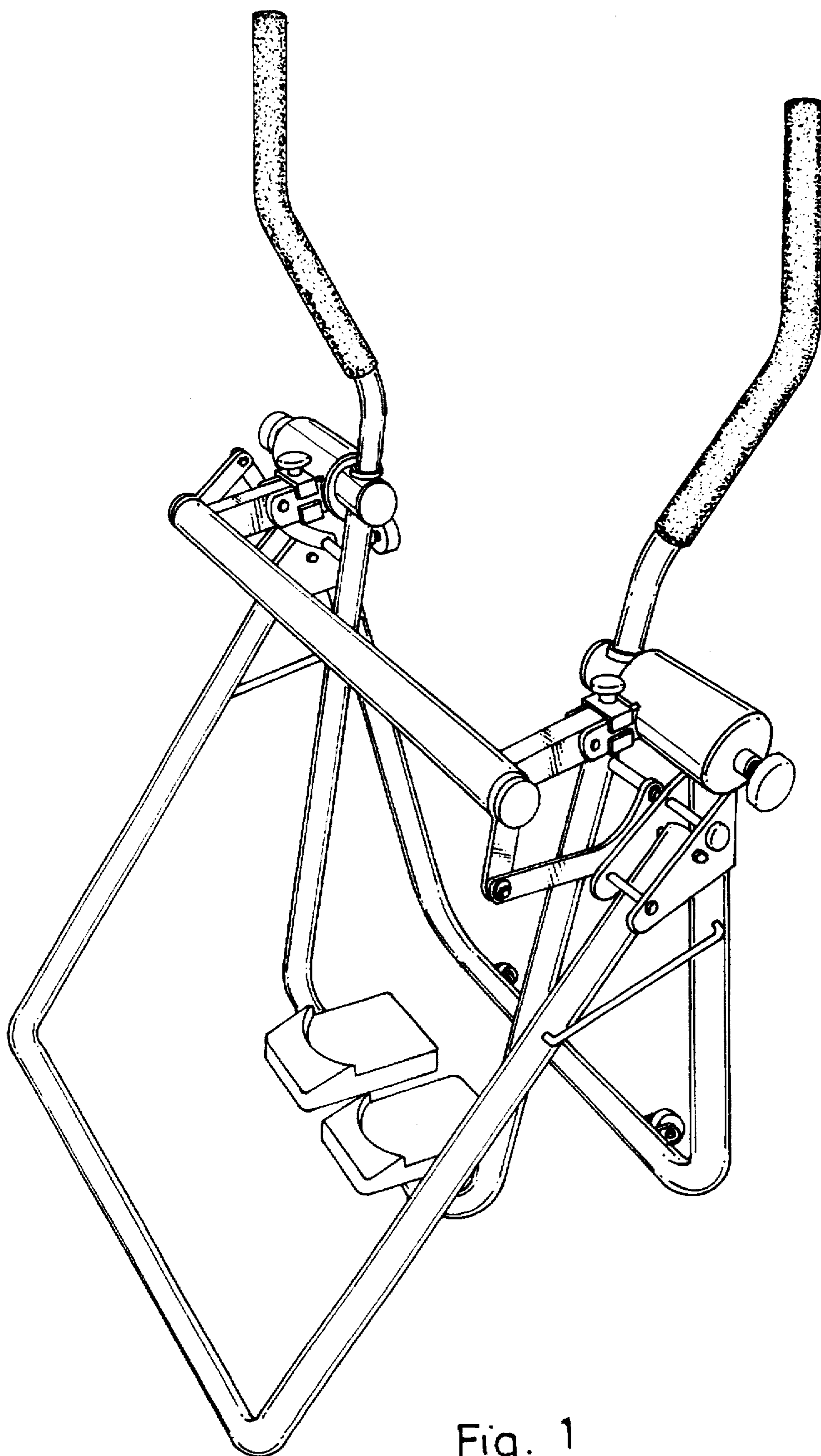


Fig. 1

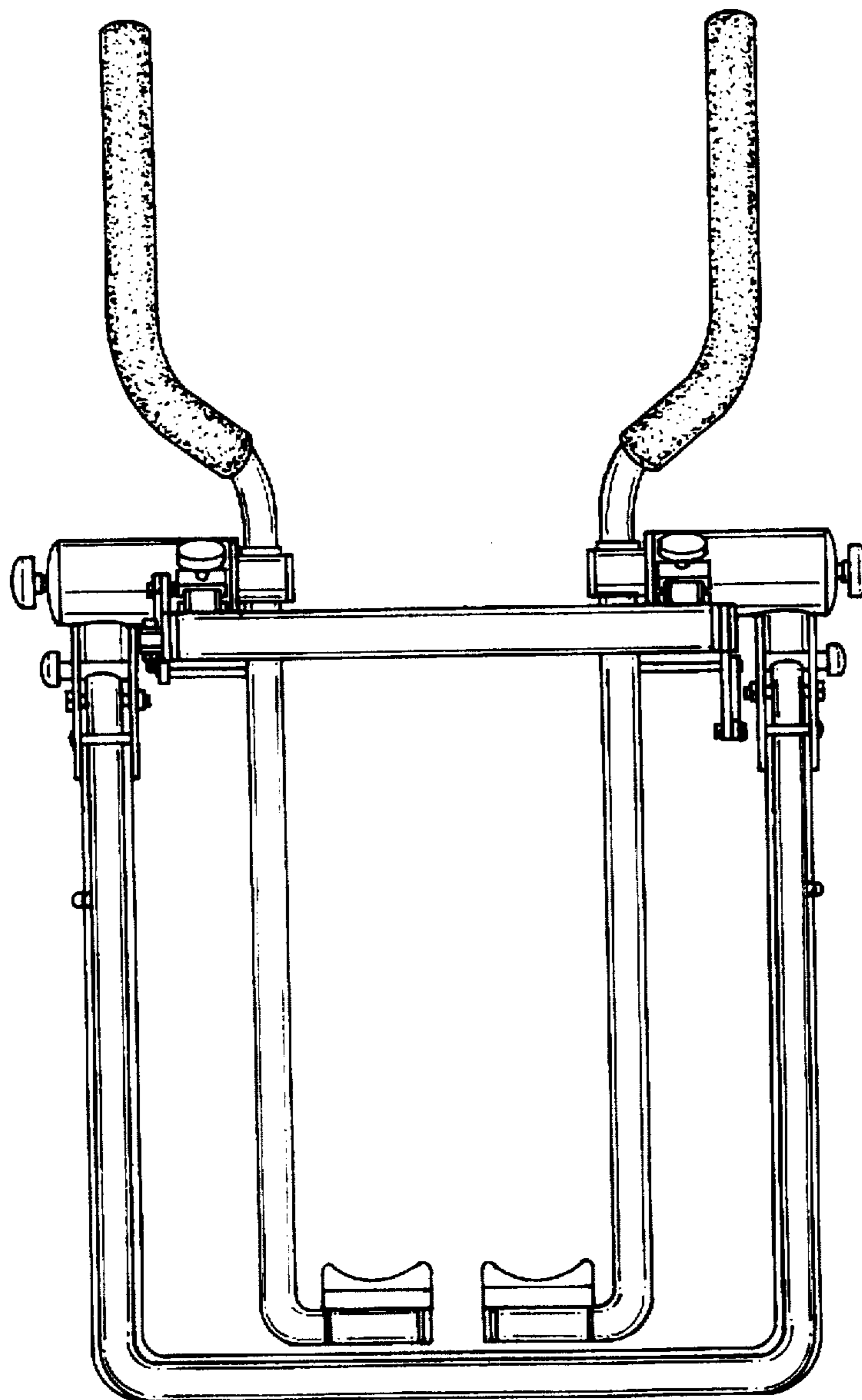


Fig. 2

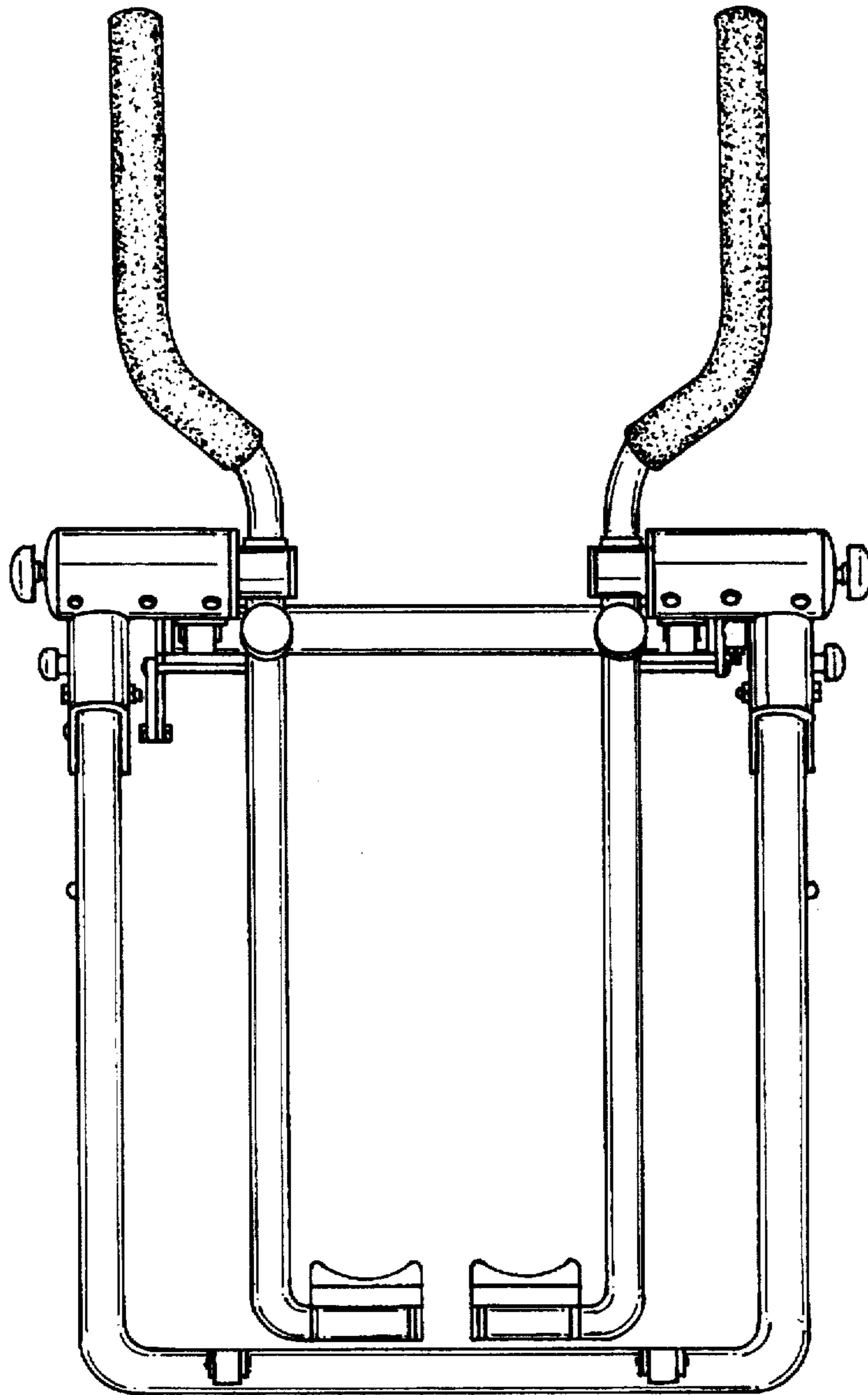


Fig. 3

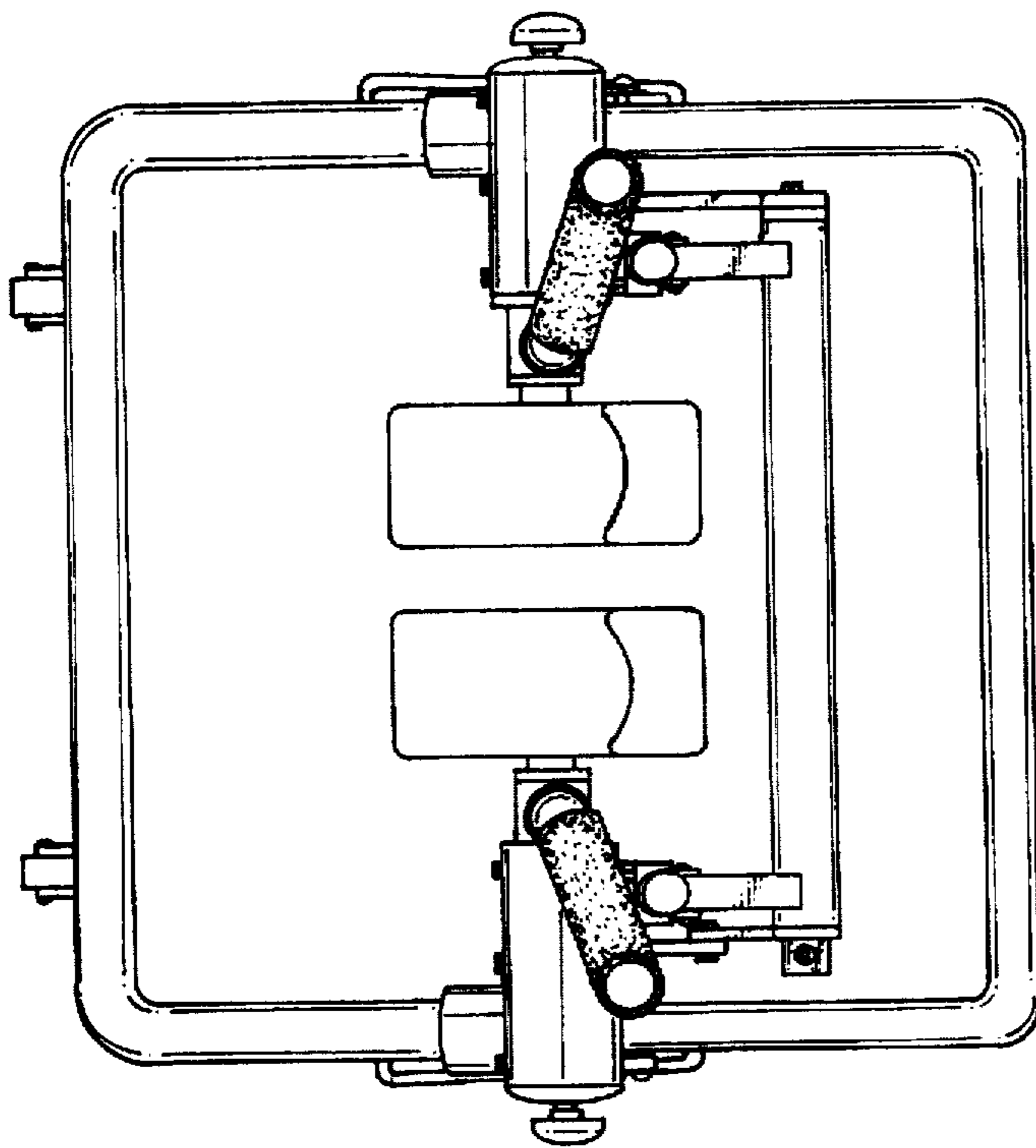


Fig. 4

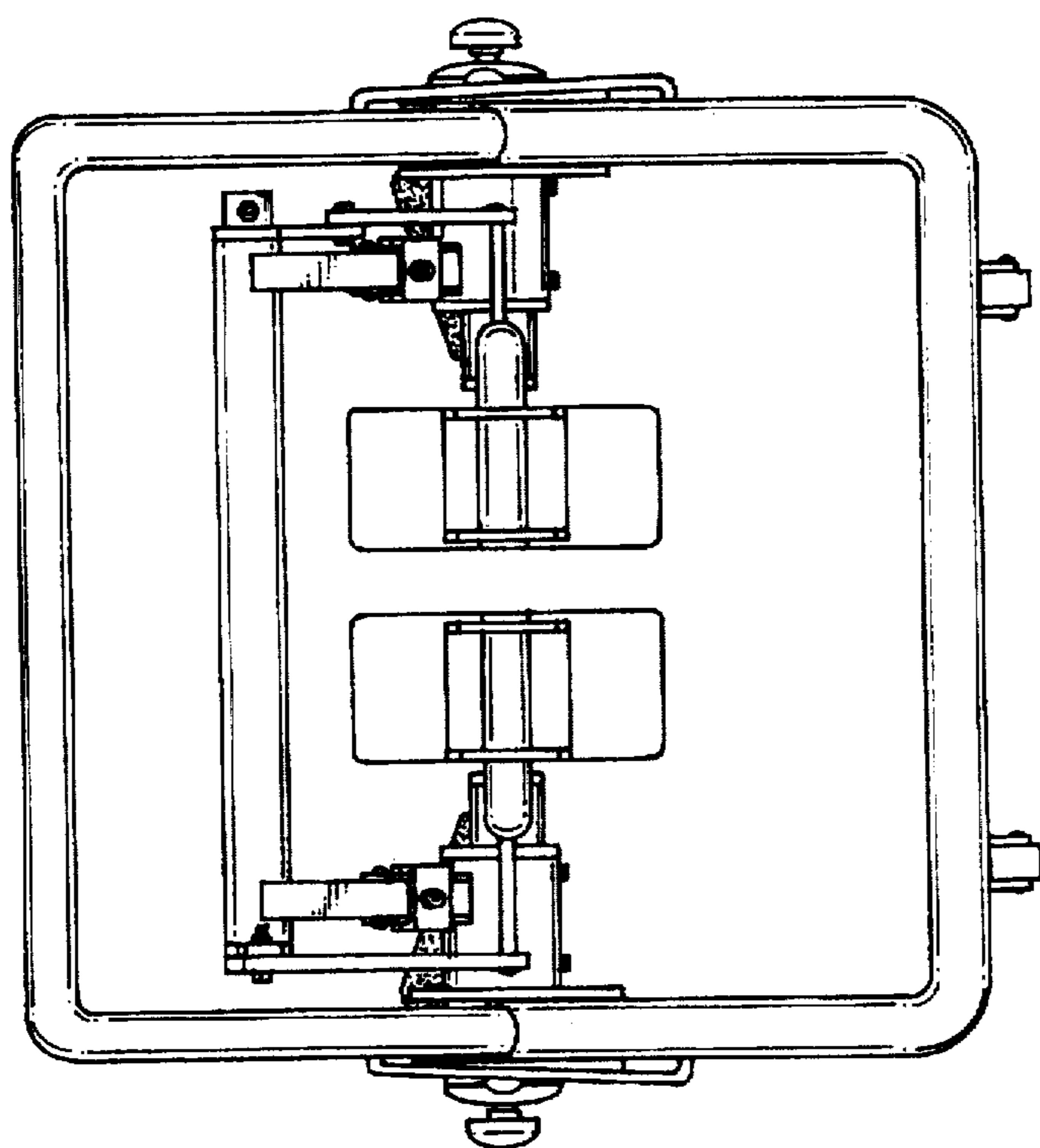


Fig. 5

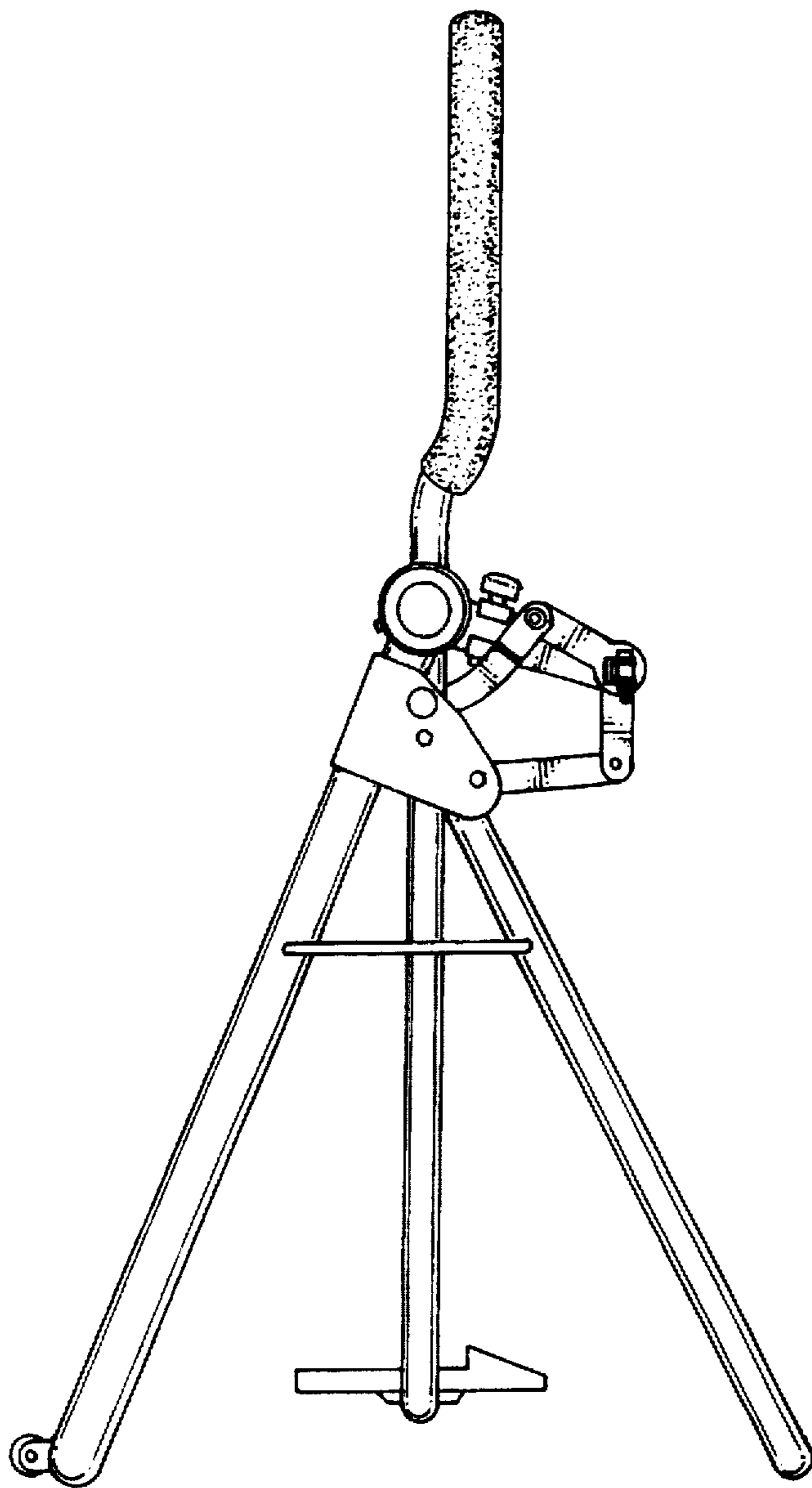


Fig. 6

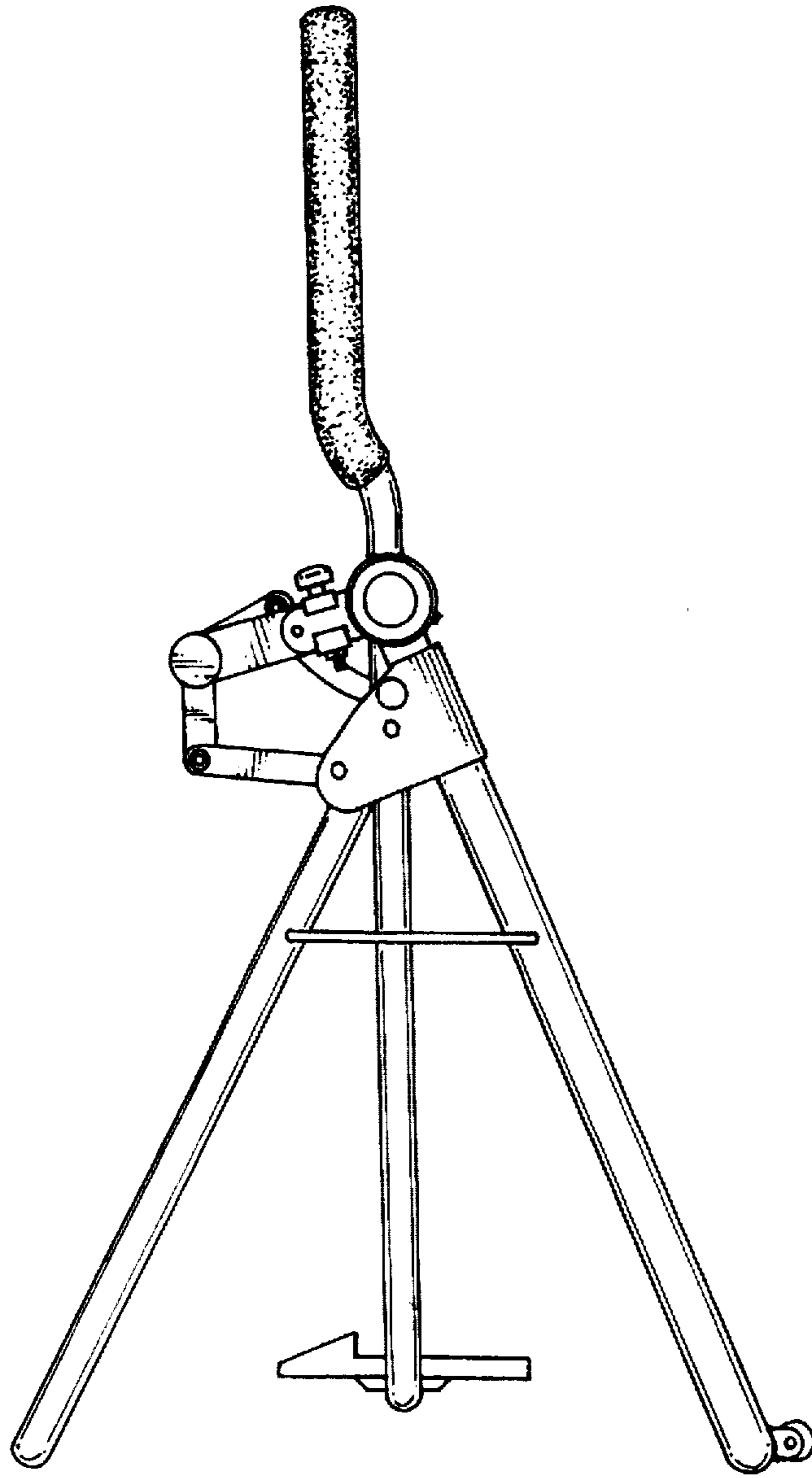


Fig. 7