



US00D392343S

United States Patent [19] Sloss

[11] Patent Number: Des. 392,343
[45] Date of Patent: **Mar. 17, 1998

[54] CHILD'S RIDE-ON TOY
[75] Inventor: Christopher W. Sloss, Olney, Ill.
[73] Assignee: Roadmaster Corporation, Olney, Ill.
[**] Term: 14 Years
[21] Appl. No.: 43,056
[22] Filed: Aug. 24, 1995

D. 296,774 7/1988 Armstrong .
D. 300,619 4/1989 Phinney et al. .
D. 307,610 5/1990 Harrod D21/80
D. 326,247 5/1992 Hess .
D. 337,973 8/1993 Mariol .
D. 344,299 2/1994 Gault D21/76
D. 351,125 10/1994 Chen D12/112
3,352,570 11/1967 Cordrey 280/87.021
4,596,398 6/1986 Grossi .
5,133,569 7/1992 Rieber et al. .

Related U.S. Application Data

[63] Continuation of Ser. No. 34,324, Feb. 1, 1995, abandoned.
[51] LOC (6) Cl. 16-06
[52] U.S. Cl. D21/80; D12/112
[58] Field of Search D21/71, 74-81,
D21/129-130, 132, 134, 135; D12/92, 100,
112, 113; 446/160, 428, 447, 456, 465,
470; 280/828, 1.13, 87.021, 47.11, 281.1,
11 R, 282

OTHER PUBLICATIONS

Famoplay picture taken from catalog, publication date prior to Nov. 10, 1993.
Sport Cycle, page from little tikes catalog, 1991.

Primary Examiner—Raphael Barkai
Attorney, Agent, or Firm—Brinks, Hofer, Gilson & Lione;
Craig A. Summerfield

[56] References Cited

U.S. PATENT DOCUMENTS

D. 219,608 12/1970 Carver et al. D21/76
D. 231,004 3/1974 Brightbill .
D. 247,028 1/1978 Nakao et al. .
D. 263,944 4/1982 Arad et al. .
D. 268,772 4/1983 Hanzawa D21/81
D. 271,594 11/1983 Mercurio et al. D21/80
D. 273,774 5/1984 Levy et al. .
D. 276,251 11/1984 Wakimura D21/134
D. 277,947 3/1985 Blumenthal .
D. 279,176 6/1985 Kassai .
D. 279,464 7/1985 Kane .
D. 280,087 8/1985 Wing-Fong .
D. 285,947 9/1986 Blumenthal D21/76
D. 289,272 4/1987 Phinney .
D. 292,009 9/1987 Harrod D21/76

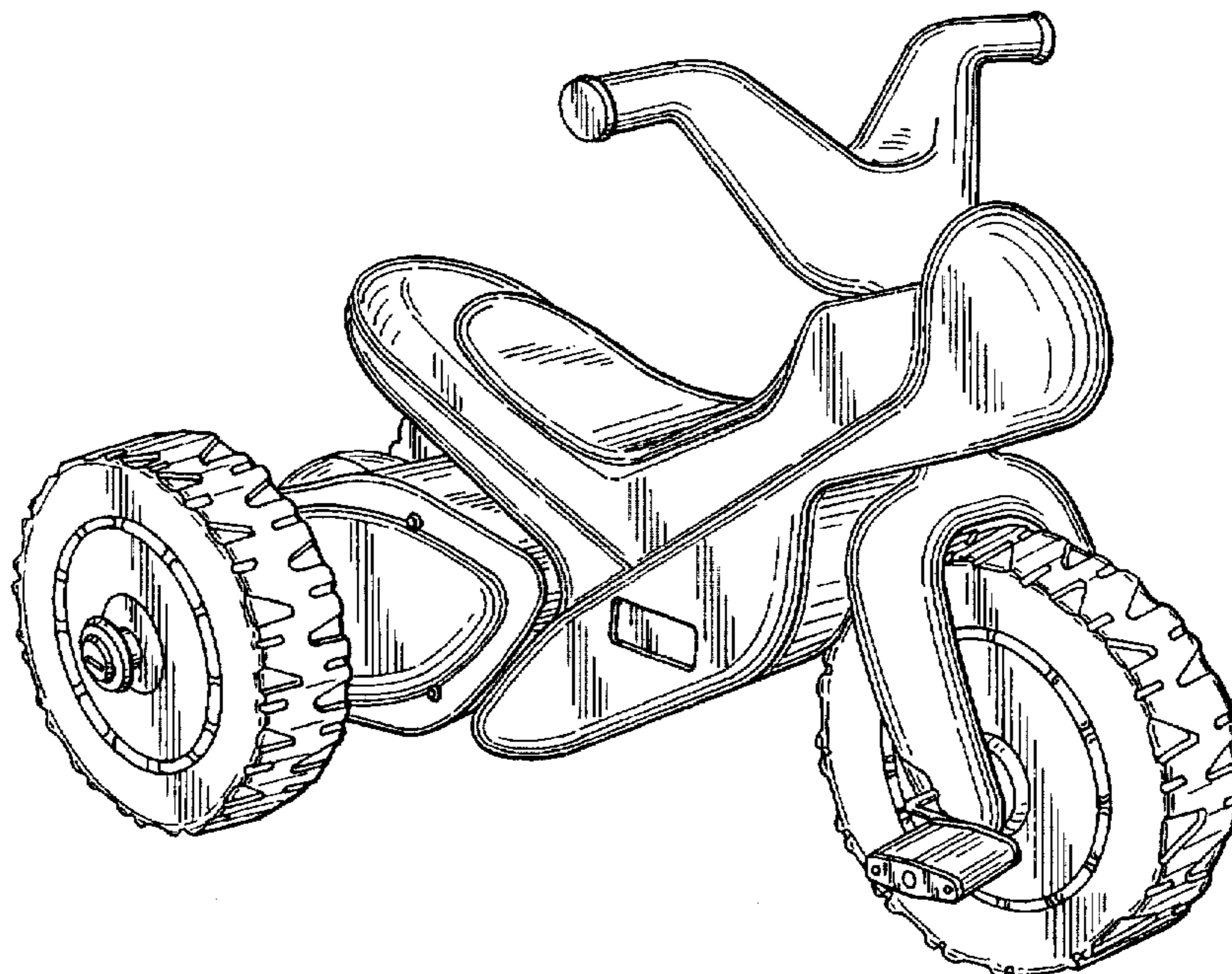
[57] CLAIM

The ornamental design for a child's ride-on toy, as shown and described.

DESCRIPTION

FIG. 1 is a right, front perspective view of a child's ride-on toy showing my new design;
FIG. 2 is a right side elevational view thereof;
FIG. 3 is a left side elevational view thereof;
FIG. 4 is a front elevational view thereof;
FIG. 5 is a rear elevational view thereof;
FIG. 6 is a top plan view thereof;
FIG. 7 is a bottom plan view thereof;
FIG. 8 is a rear elevational view of an alternative configuration thereof, with the spacers turned; and,
FIG. 9 is a rear elevational view of an alternative configuration thereof, with the spacers and the wheels in exchanged positions.

1 Claim, 7 Drawing Sheets



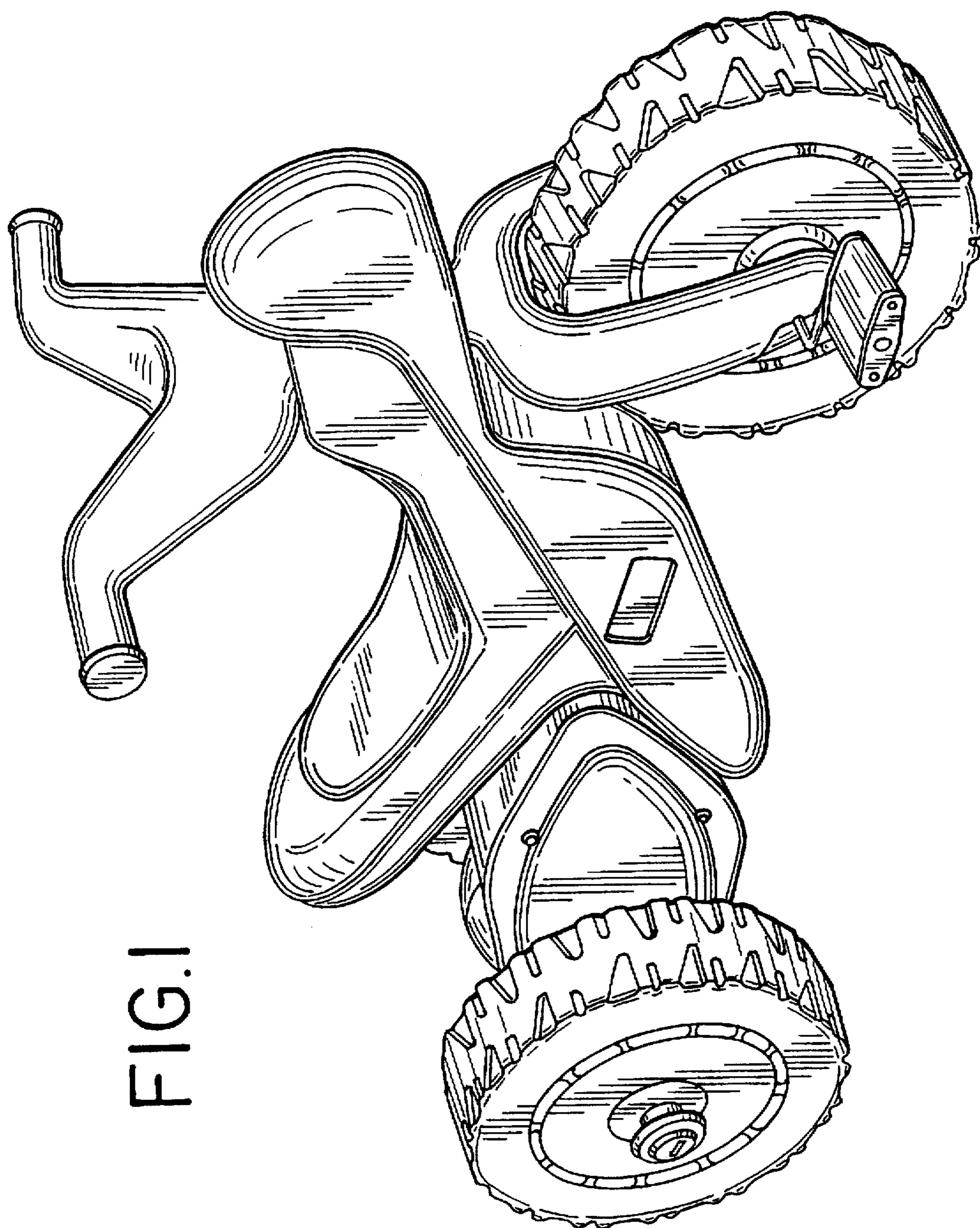


FIG. 1

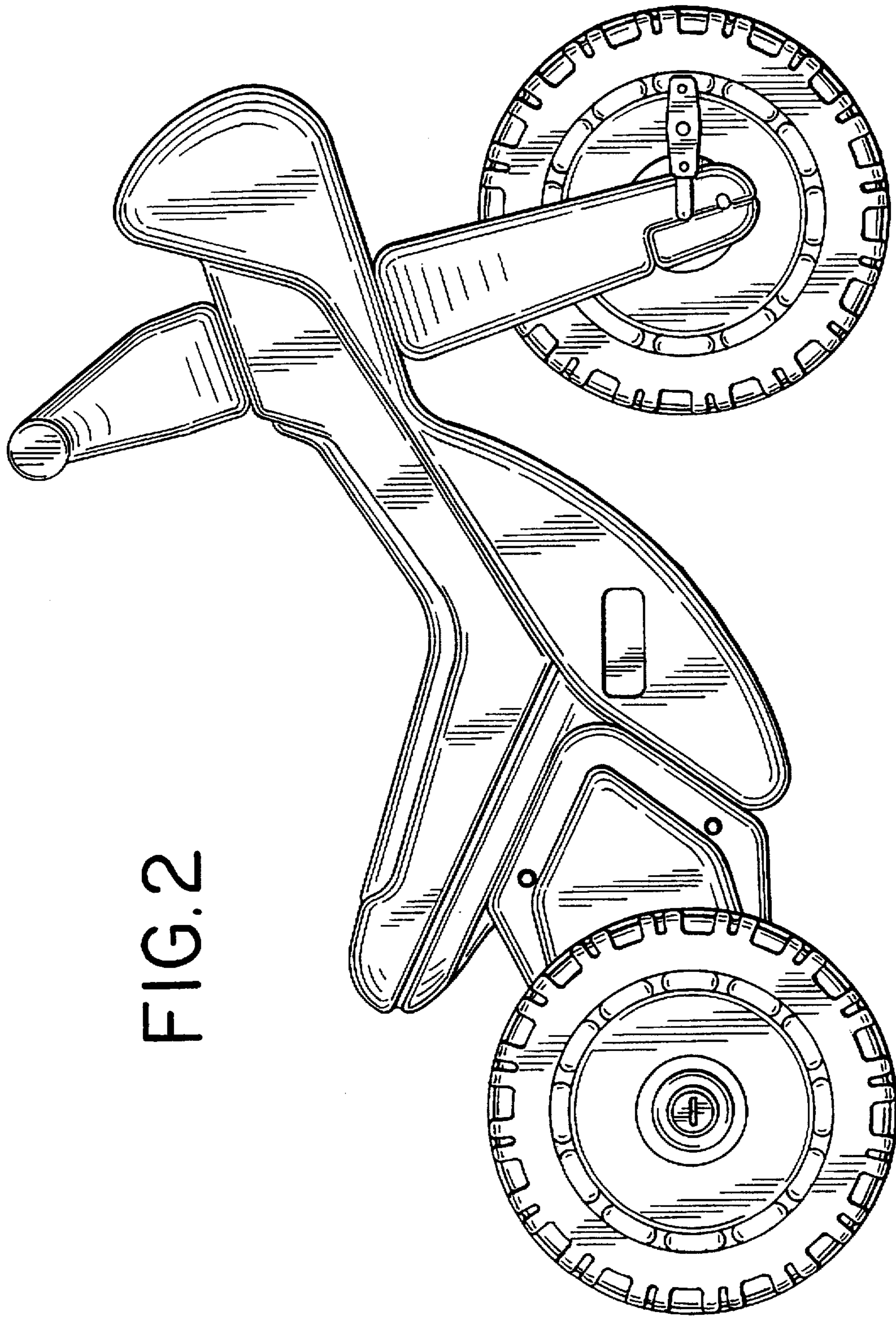


FIG. 2

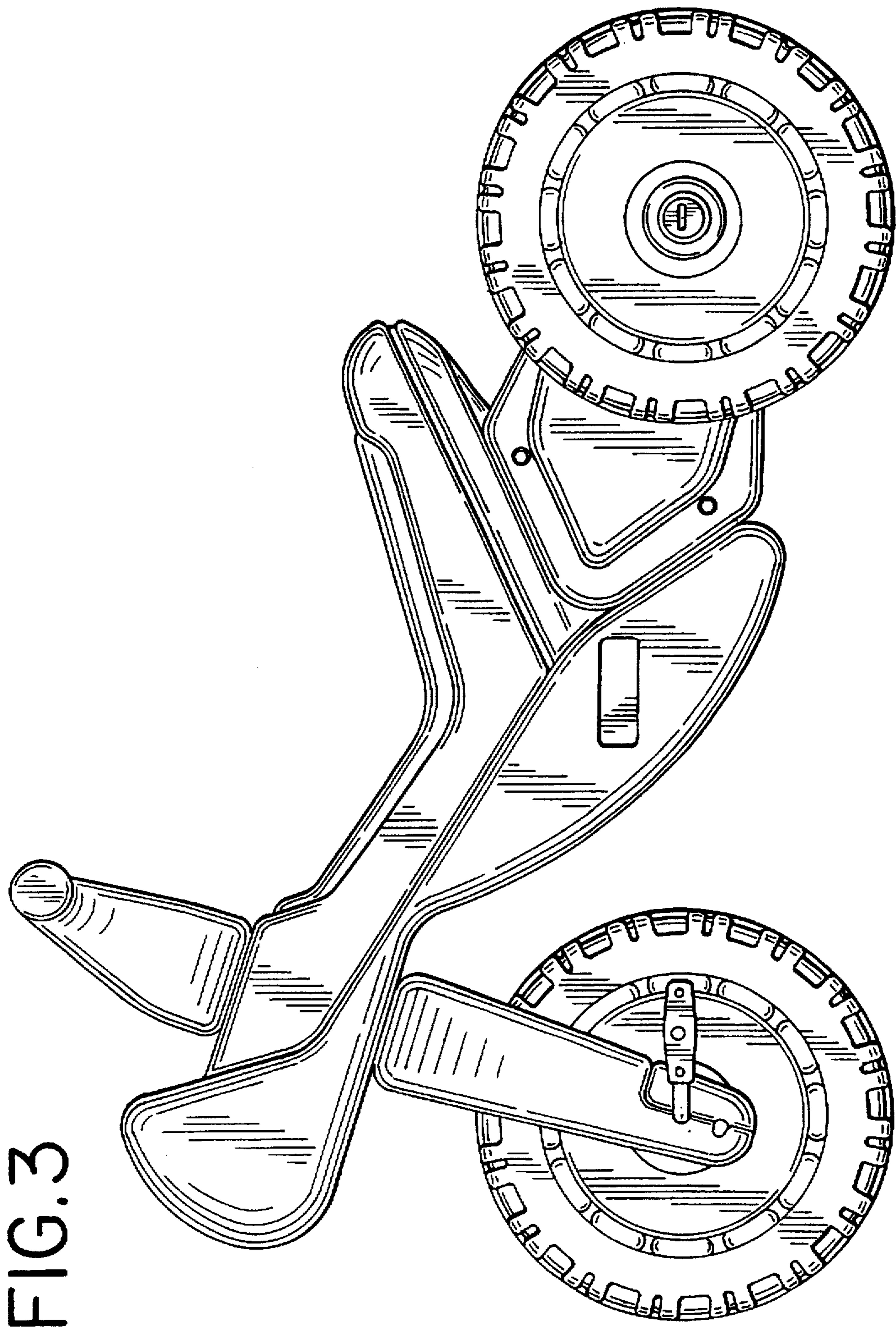


FIG. 3

FIG.5

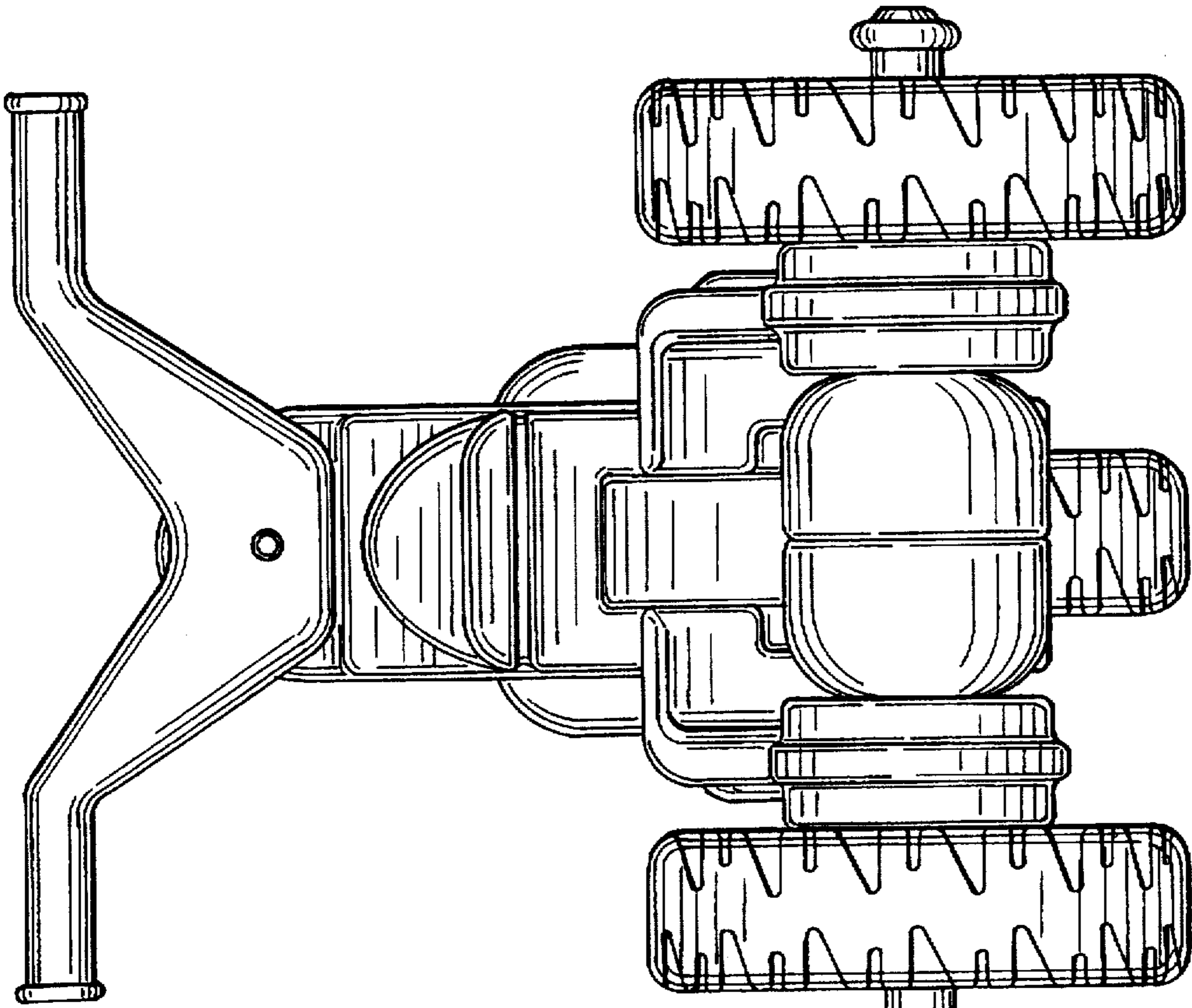


FIG.4

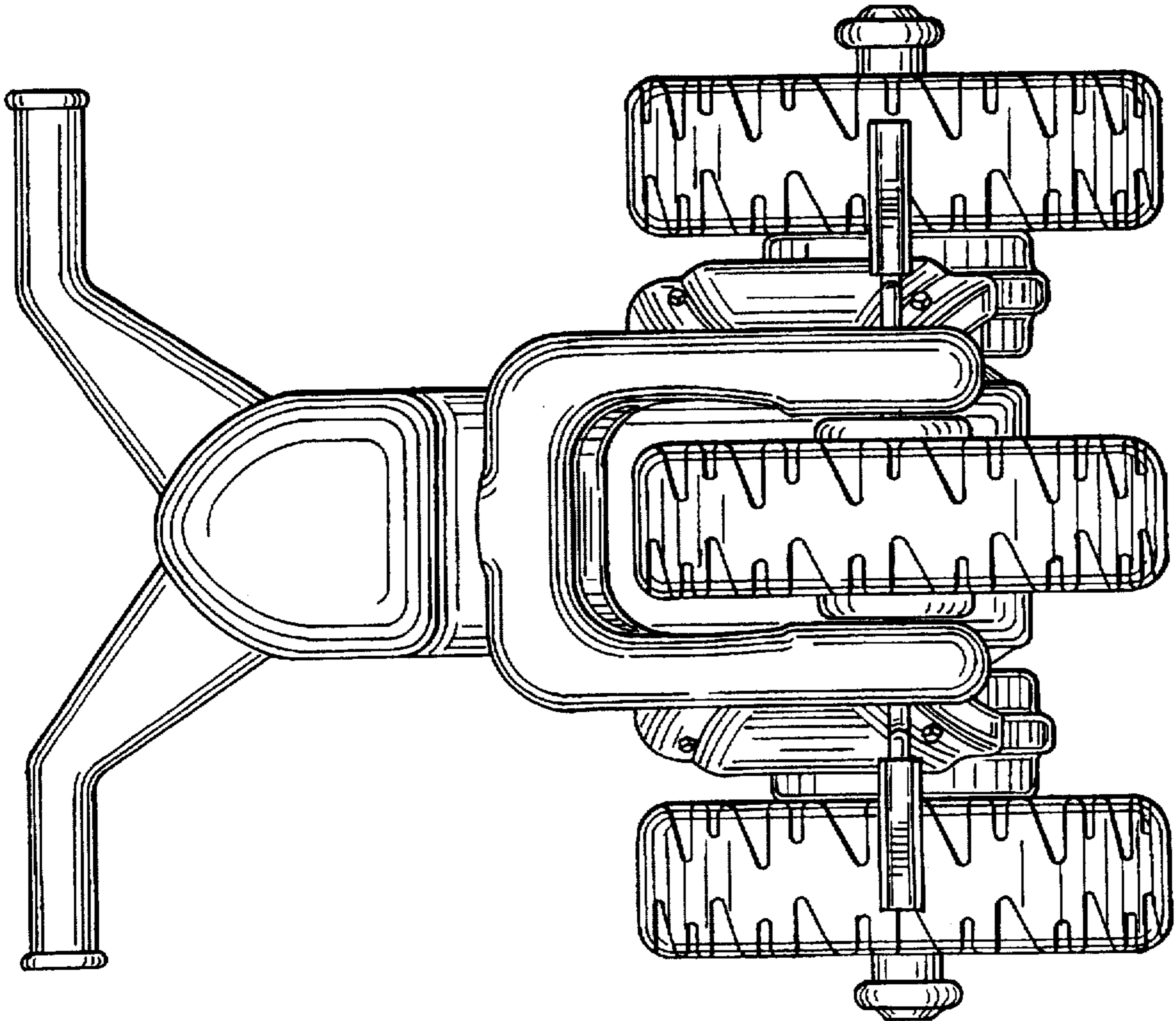


FIG.6

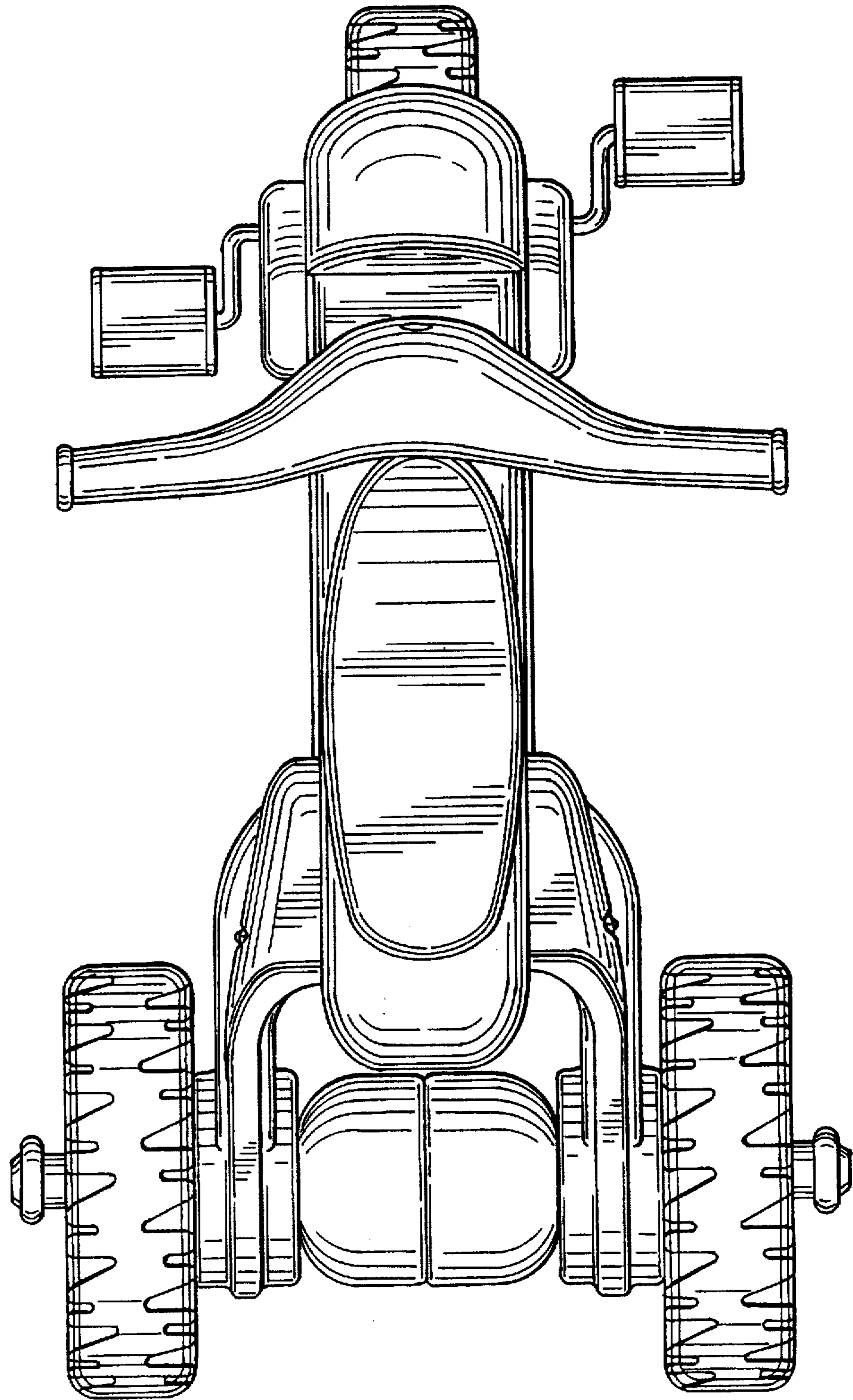


FIG. 7

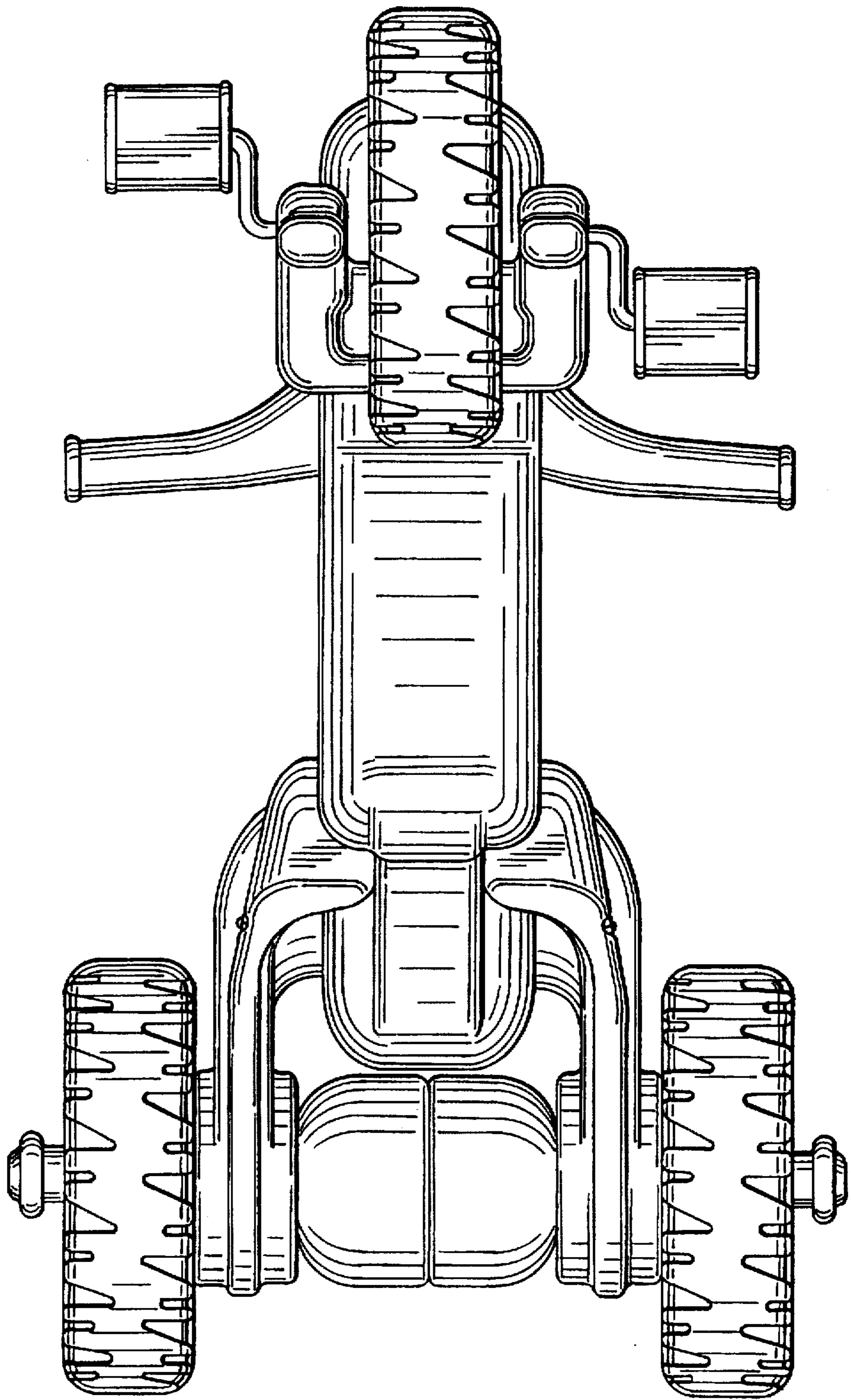


FIG.9

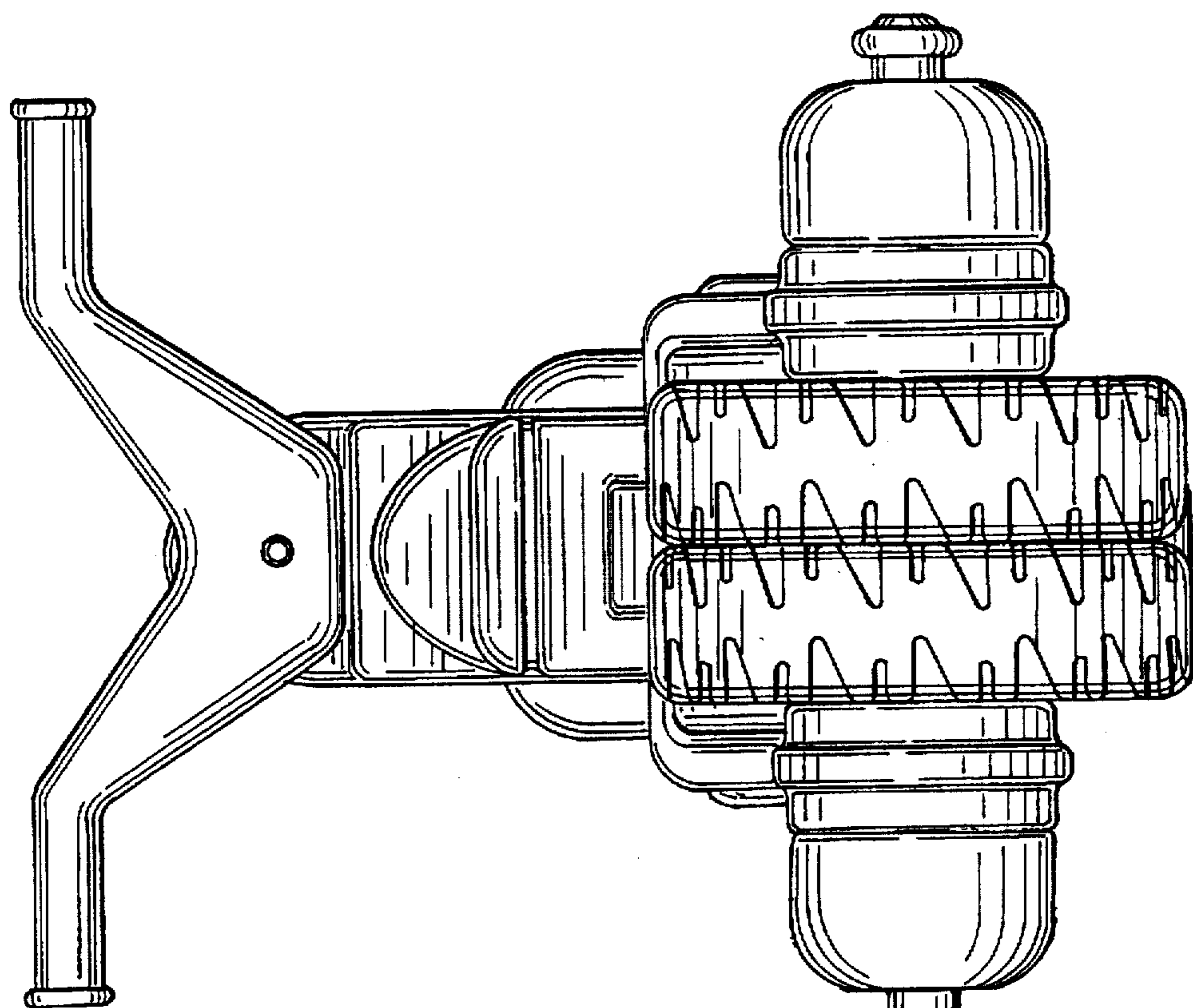


FIG.8

