



US00D392341S

# United States Patent [19]

Lindsay

[11] Patent Number: **Des. 392,341**

[45] Date of Patent: **\*\*Mar. 17, 1998**

[54] **SEPARATOR RING FOR A ROULETTE WHEEL**

5,437,452 8/1995 Graf et al. .... 273/142 E

### OTHER PUBLICATIONS

[75] Inventor: **Jeffrey Paul Lindsay**, London, United Kingdom

Scarne's New Complete Guide to Gambling; p. 401; Roulette wheel, 1974.

[73] Assignee: **John Huxley Limited**, London, United Kingdom

*Primary Examiner*—Raphael Barkai  
*Assistant Examiner*—Mitchell I. Siegel  
*Attorney, Agent, or Firm*—Townsend and Townsend and Crew LLP

[\*\*] Term: **14 Years**

[21] Appl. No.: **63,310**

### [57] CLAIM

[22] Filed: **Dec. 5, 1996**

The ornamental design for a separator ring for a roulette wheel, as shown and described.

[51] LOC (6) Cl. .... **21-01**

[52] U.S. Cl. .... **D21/40**

[58] Field of Search ..... D21/39, 40; 273/142 B, 273/142 E

### DESCRIPTION

FIG. 1 is a perspective view of a separator ring for a roulette wheel showing my new design;

FIG. 2 is a perspective view of an enlargement of a portion thereof; and,

FIG. 3 is a top plan view thereof.

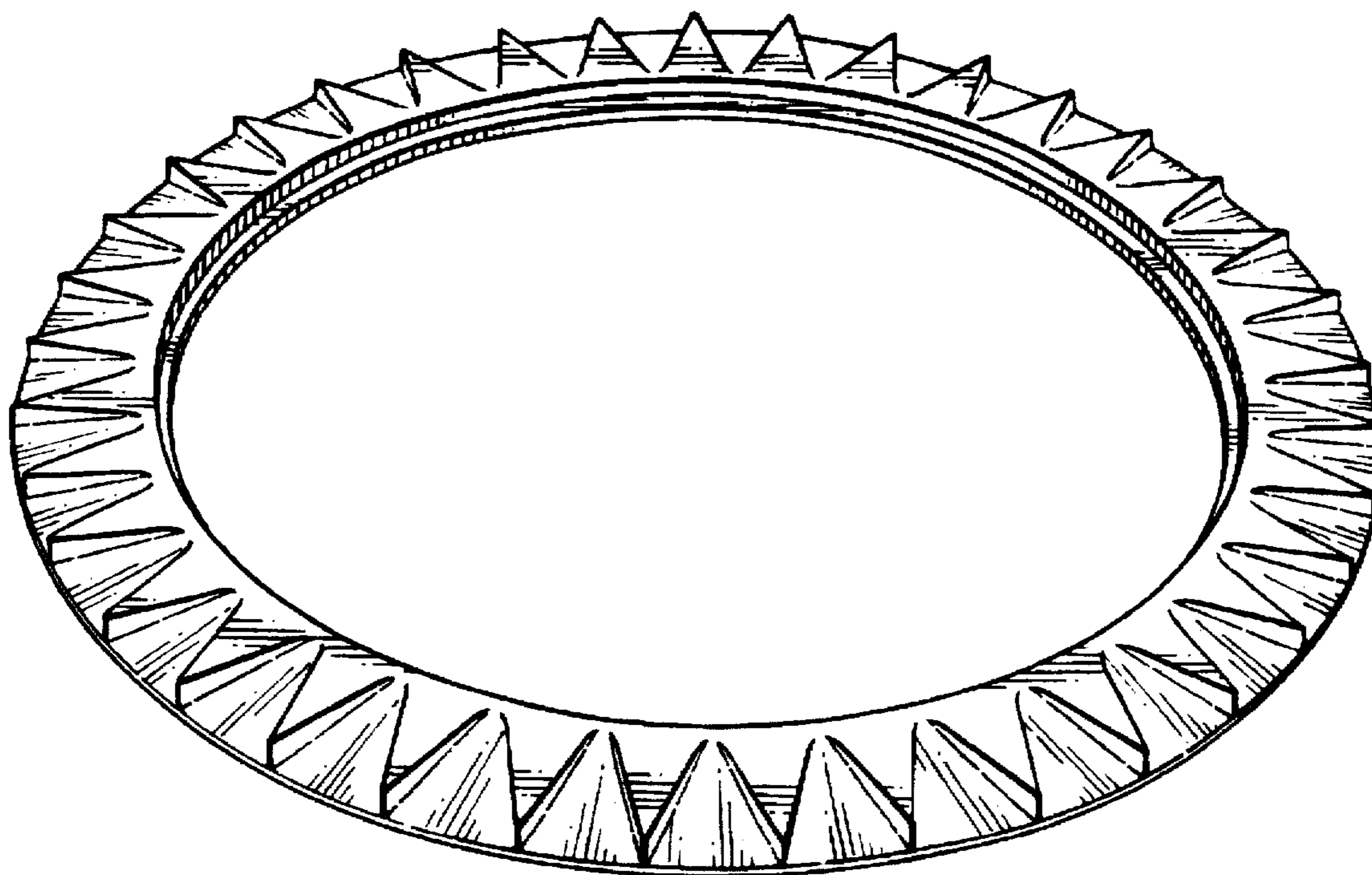
### [56] References Cited

#### U.S. PATENT DOCUMENTS

4,337,945 7/1982 Levy ..... 273/142 E

4,732,385 3/1988 Castellanos ..... 273/142 B

**1 Claim, 2 Drawing Sheets**



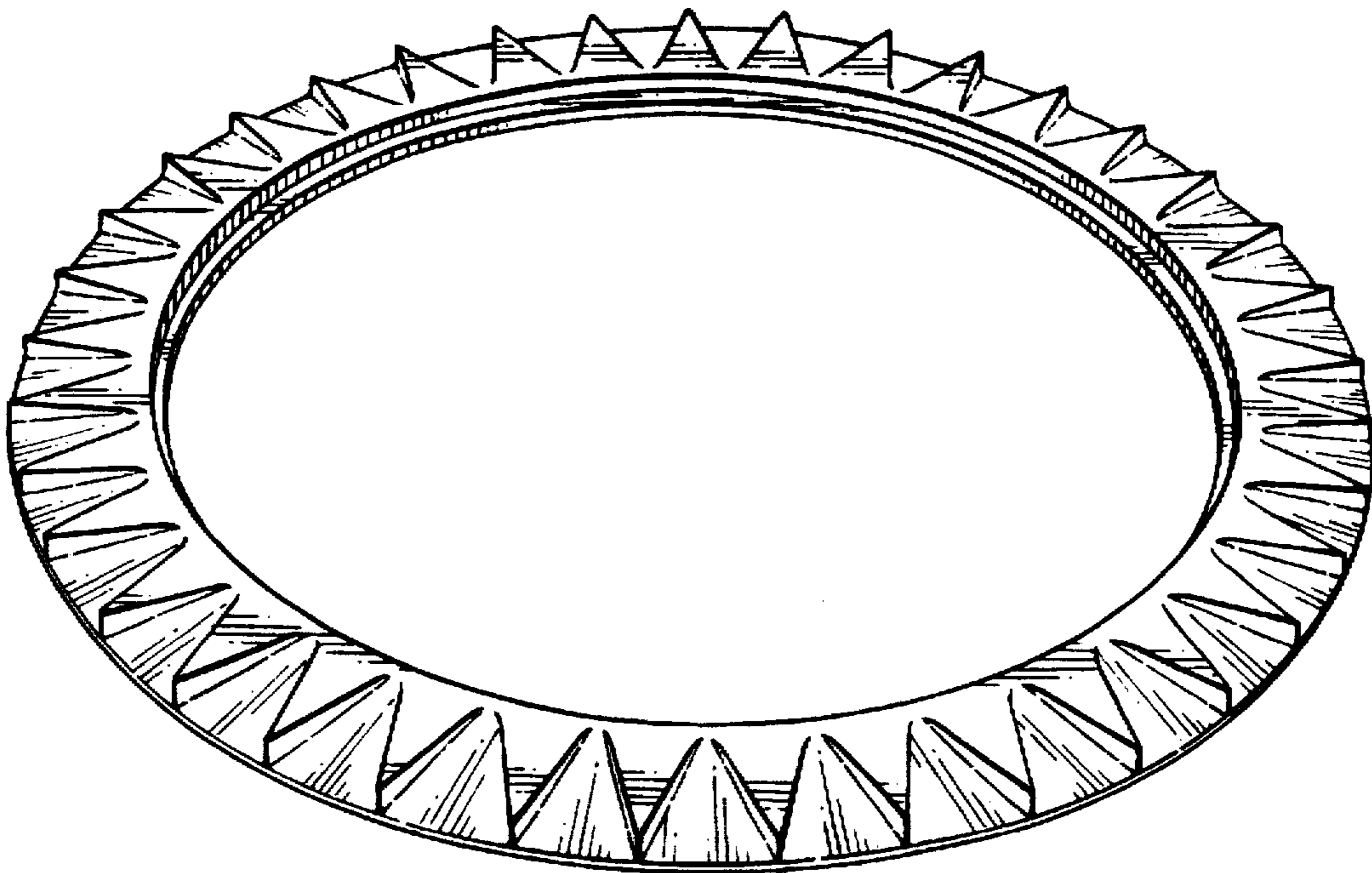


FIG. 1

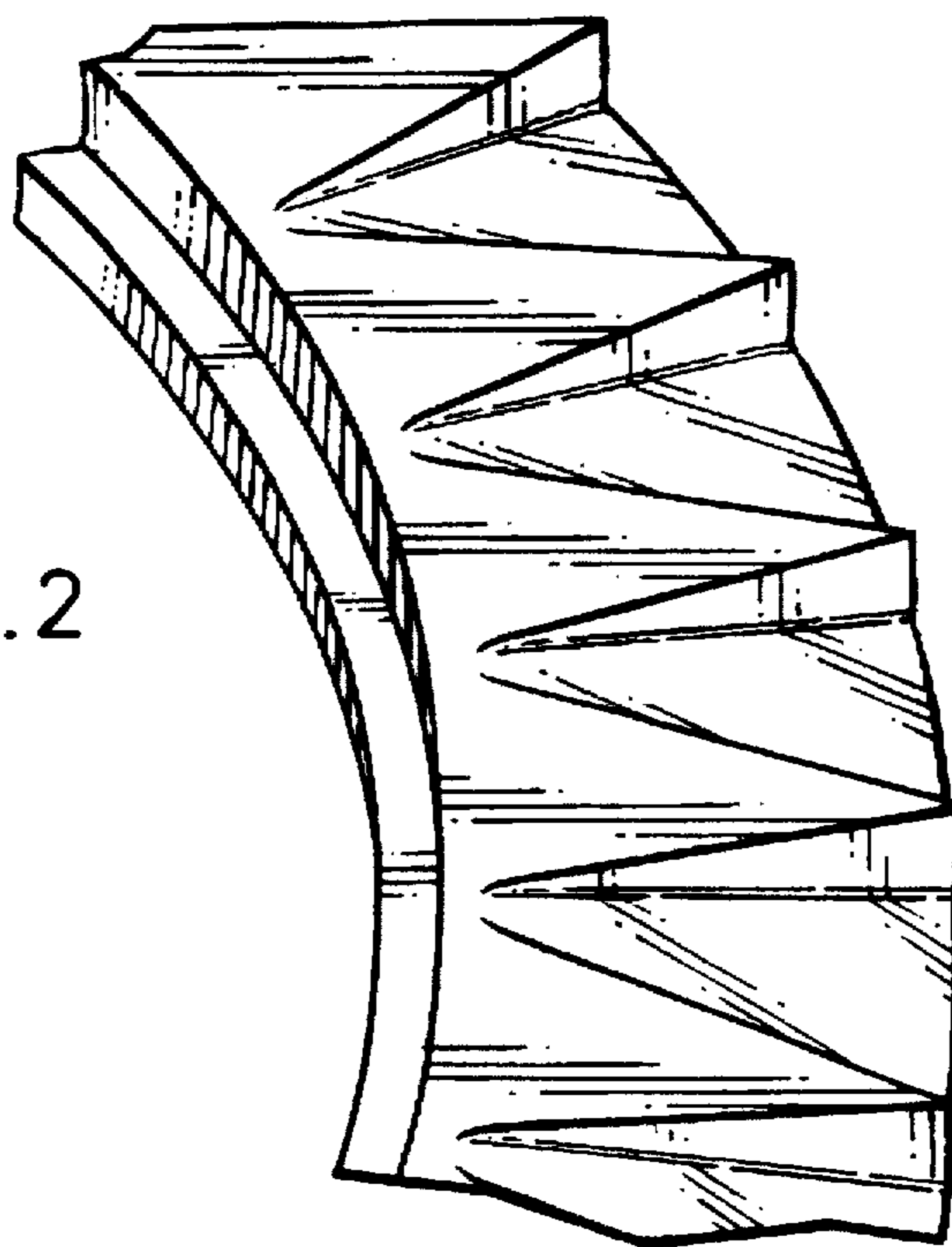


FIG. 2

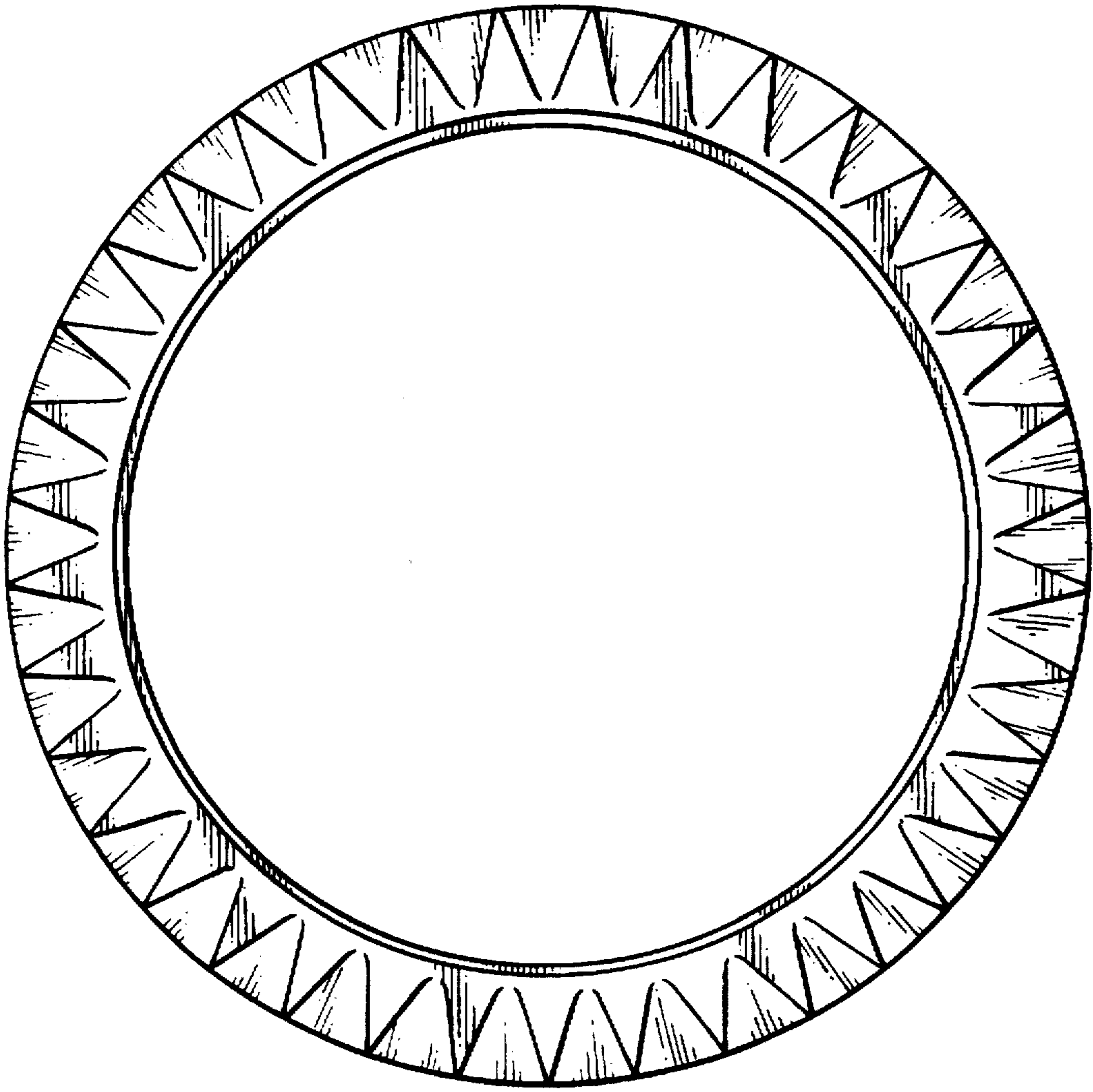


FIG. 3