



US00D392332S

United States Patent [19]
Ruprecht

[11] **Patent Number:** **Des. 392,332**
[45] **Date of Patent:** ****Mar. 17, 1998**

[54] **RECIPE CARD DISPLAY APPARATUS**

[76] **Inventor:** **Daniel Ruprecht**, 56 Nicks Rock Rd.,
Plymouth, Mass. 02360

[**] **Term:** **14 Years**

[21] **Appl. No.:** **70,484**

[22] **Filed:** **May 8, 1997**

[51] **LOC (6) Cl.** **20-02**

[52] **U.S. Cl.** **D20/43; D20/42**

[58] **Field of Search** **D20/10, 42, 43,**
D20/44, 27; 40/654.01, 642.02, 653, 654,
657, 597, 661; D19/91, 90

[56] **References Cited**

U.S. PATENT DOCUMENTS

D. 296,569	7/1988	Vela	D20/43
D. 313,820	1/1991	Wright	D19/90
3,452,463	7/1969	Chaput	40/653
5,042,184	8/1991	Fast	40/642.02 X

Primary Examiner—Susan J. Lucas
Assistant Examiner—Jennifer Rivard

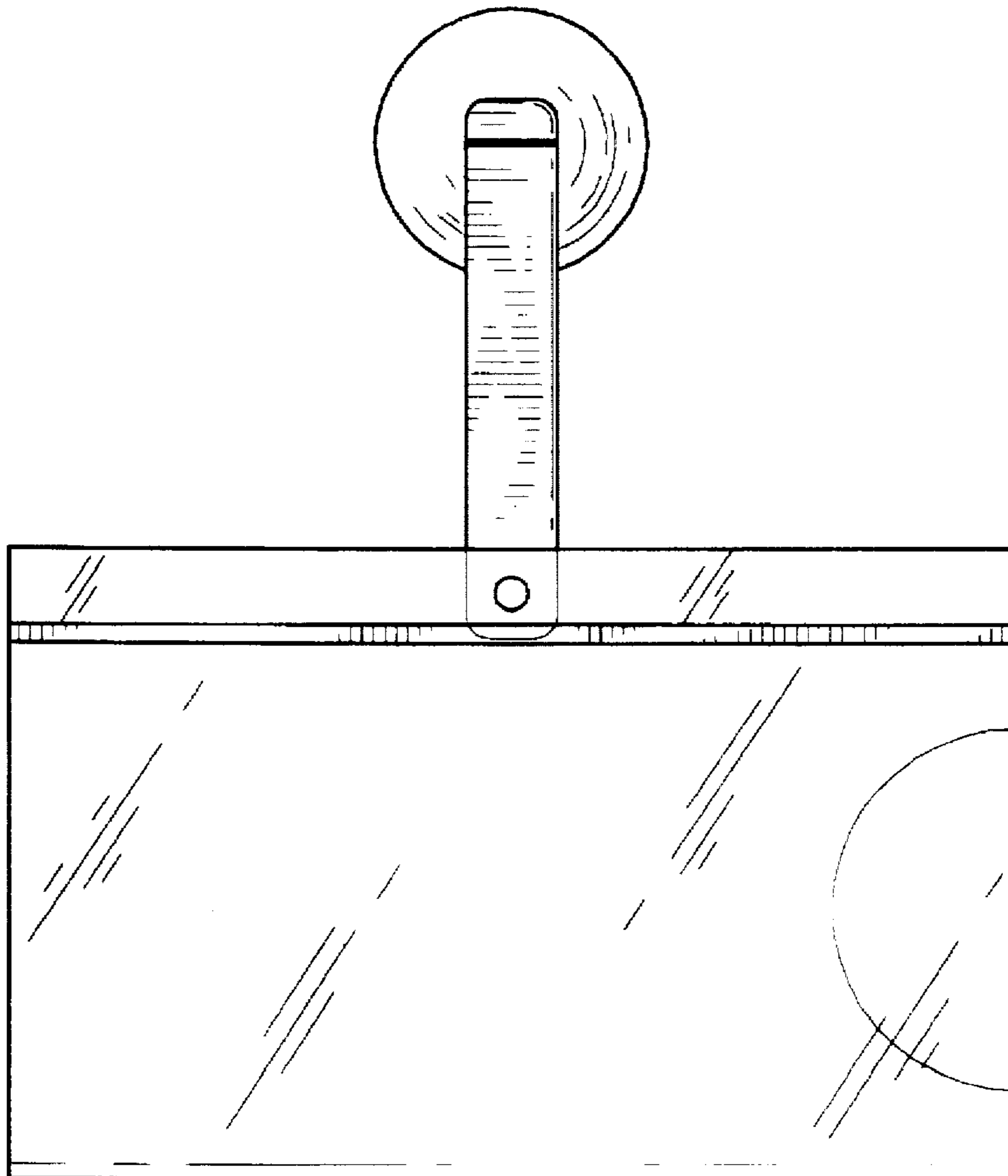
[57] **CLAIM**

The ornamental design for a recipe card display apparatus, as shown and described.

DESCRIPTION

FIG. 1 is a front elevational view of the recipe card display apparatus of the present invention;
FIG. 2 is a back elevational view of the recipe card display apparatus of FIG. 1;
FIG. 3 is a left side elevational view of the recipe card display apparatus of FIG. 1;
FIG. 4 is a right side elevational view of the recipe card display apparatus of FIG. 1;
FIG. 5 is a top plan view of the recipe card display apparatus of FIG. 1; and,
FIG. 6 is a bottom plan view of the recipe card display apparatus of FIG. 1.

1 Claim, 3 Drawing Sheets



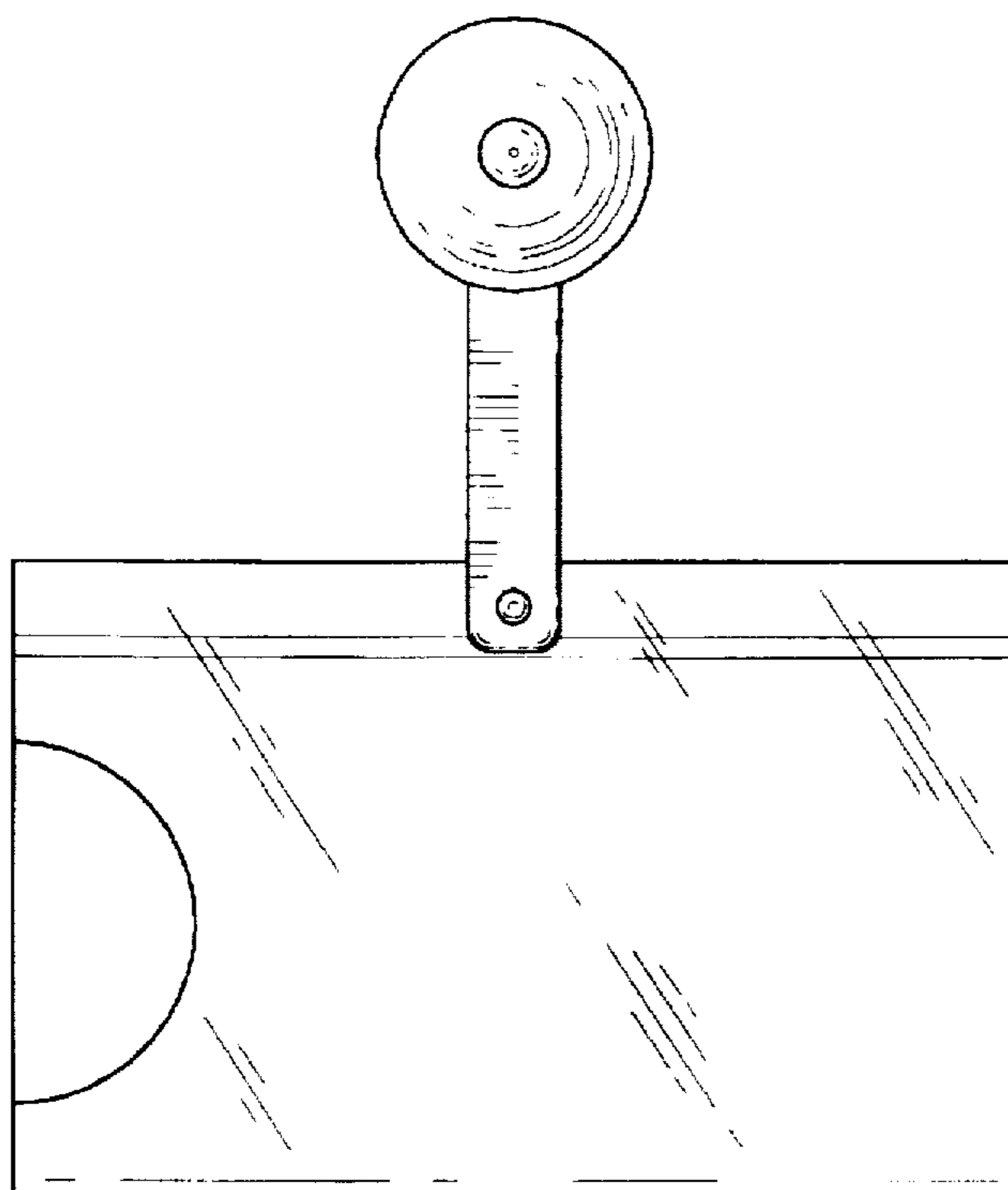


Fig. 2

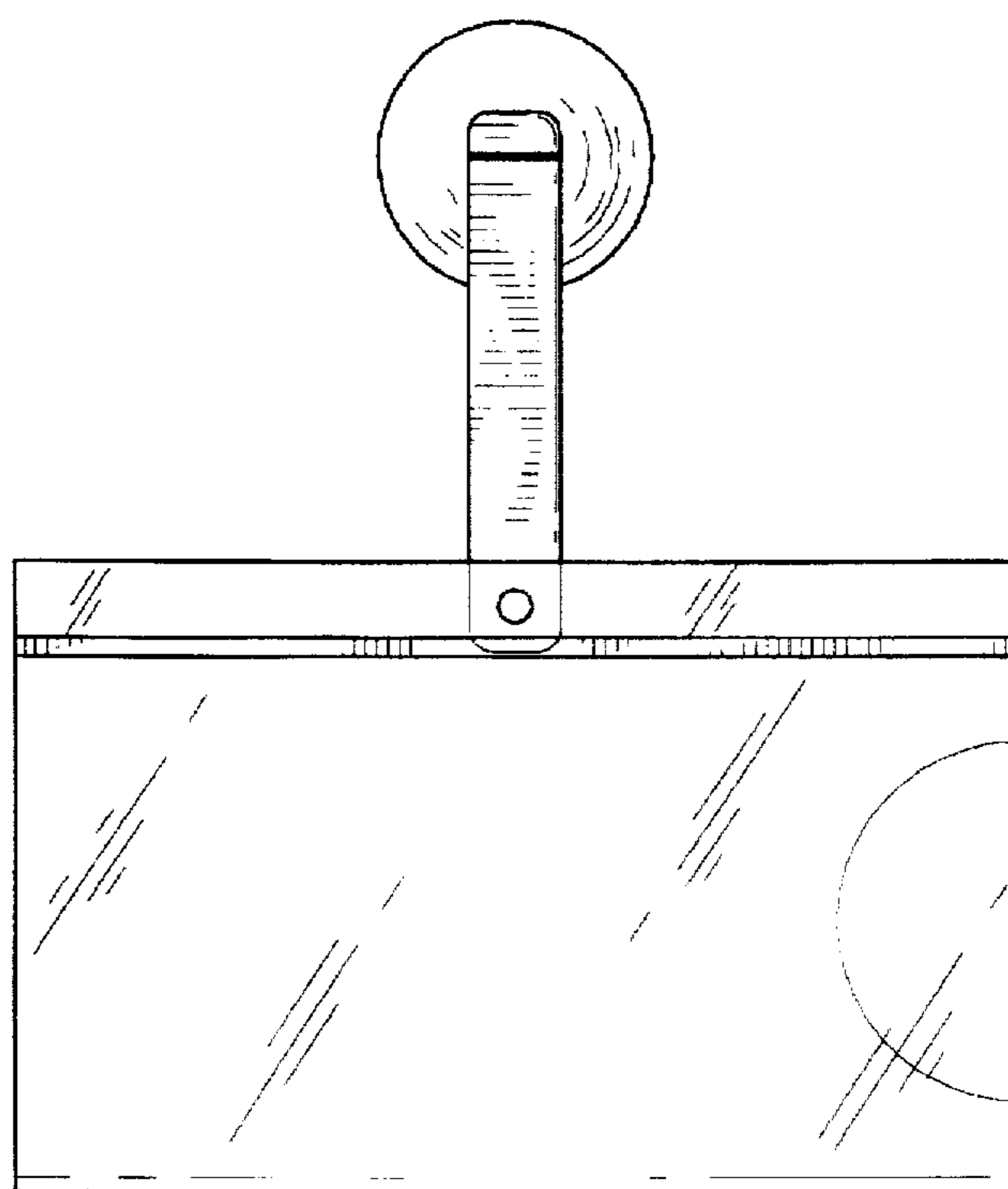


Fig. 1

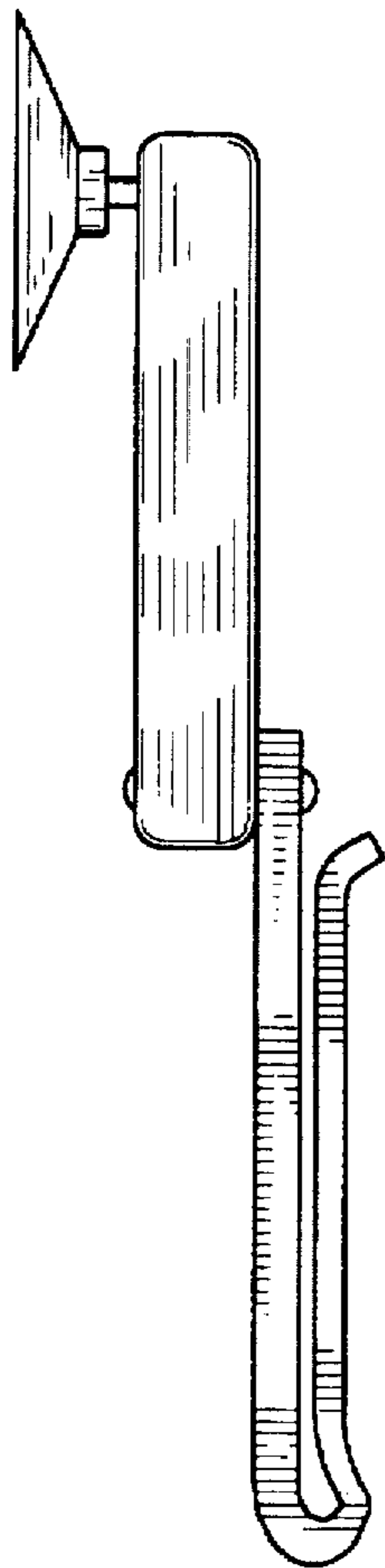


Fig. 3

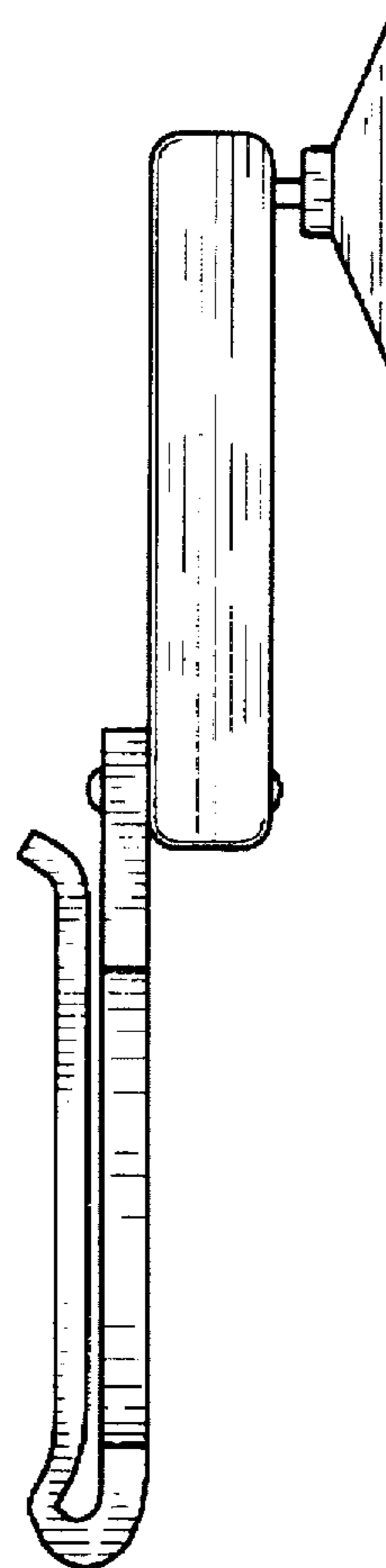


Fig. 4

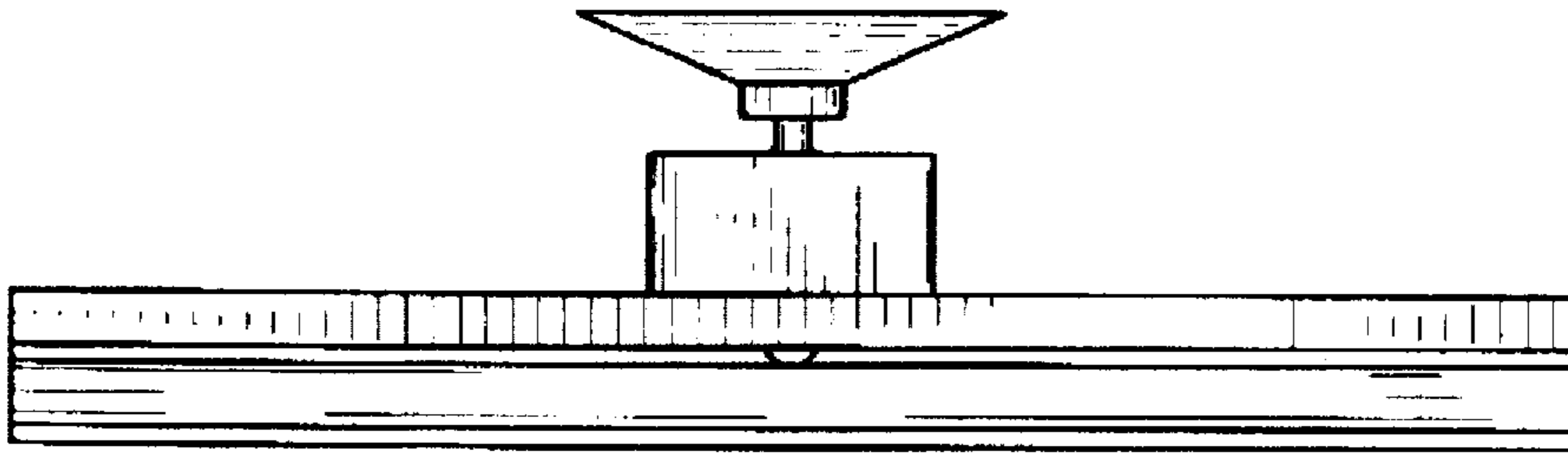


Fig. 5

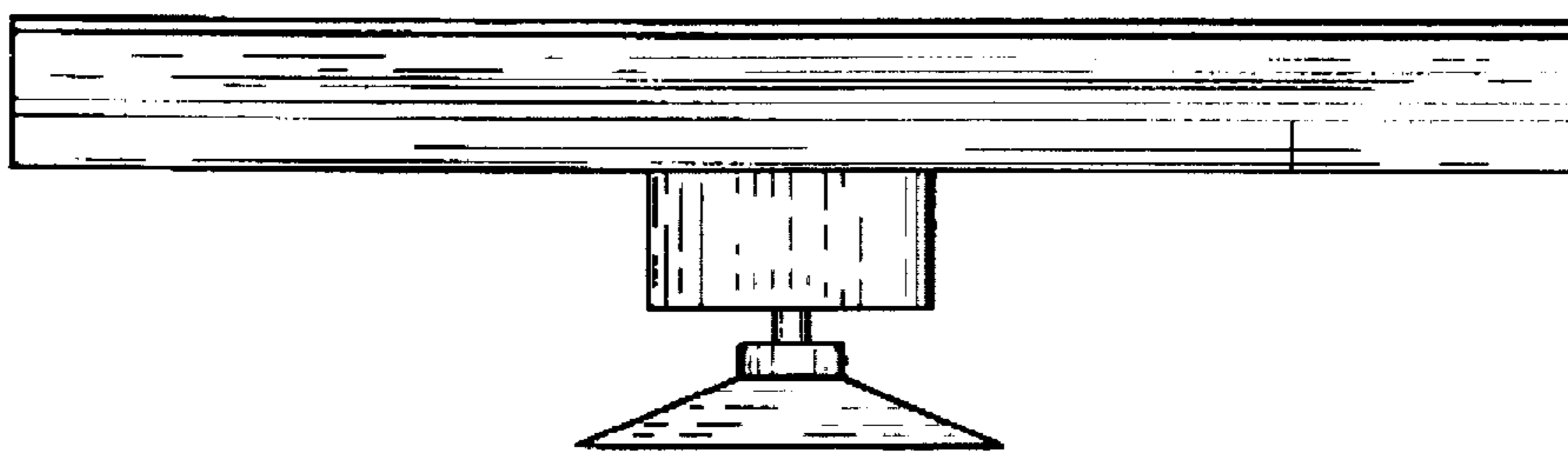


Fig. 6